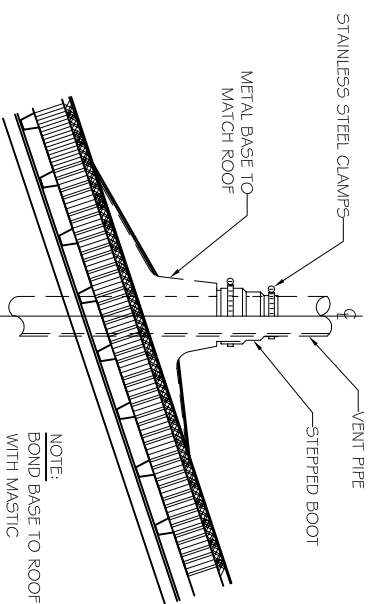
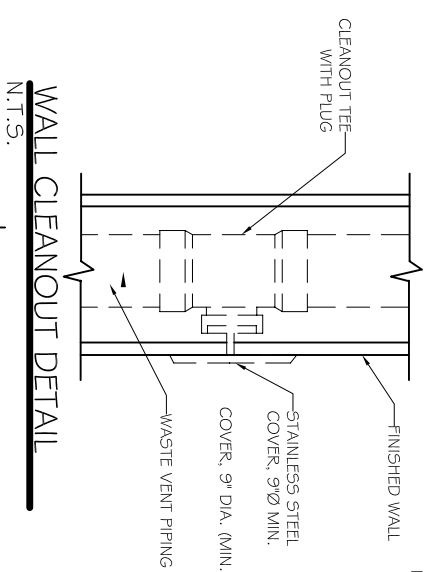


PLUMBING NOTES

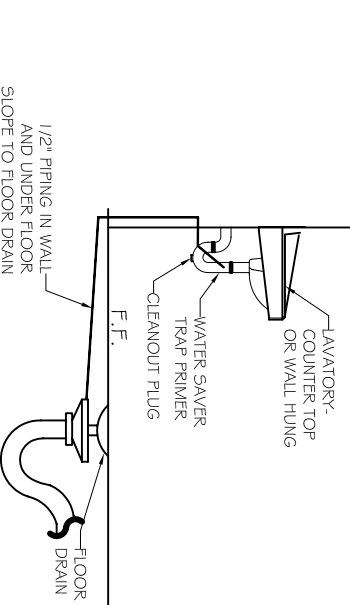
1. PROVIDE ALL LABOR, MATERIAL AND EQUIPMENT FOR A COMPLETE OPERATING SYSTEM. THE SYSTEM SHALL INCLUDE HOT AND COLD WATER PIPING, SEWER AND VENT PIPING, INSULATION, WATER HEATER, HANGERS, VALVES, SUPPORTS WITHOUT ANY RESTRICTIONS TO COLUMN, CUT AND PATCH AS REQUIRED TO INSTALL PIPES.
2. ALL WORK AND MATERIAL SHALL CONFORM STRICTLY TO THE LATEST LOCAL, CITY, PARISH, STATE AND NATIONAL UTILITY CODES.
3. CONTRACTOR IS TO FIELD VERIFY ALL EXISTING UTILITY LOCATIONS, ELEVATIONS AND SIZES PRIOR TO COMMENCING ANY WORK. CONTRACTOR SHALL PAY NECESSARY FEES FOR THE UTILITIES CONNECTIONS.
4. CONTRACTOR IS RESPONSIBLE TO VERIFY THE EXISTING INVERTS AND SET NEW INVERTS OF SEWERAGE AND DRAINAGE PIPES.
5. SEWERAGE LINES 3-INCH AND SMALLER SHALL BE SLOPED $\frac{1}{8}$ " PER FOOT AND LINE 4-INCH AND LARGER SHALL BE $\frac{1}{4}$ " PER FOOT.
6. TEST ALL PIPING AT REQUIRED PRESSURE.
7. ALL PLUMBING SHALL BE CLOSELY COORDINATED WITH STRUCTURAL SYSTEM, MECHANICAL SYSTEM AND ELECTRICAL TO INSURE NO TRADES WILL CONFLICT WITH EACH OTHER.
8. DO NOT SCALE DRAWINGS. SEE ARCHITECTURAL DRAWINGS FOR EXACT LOCATIONS OF DOORS, WINDOWS, WALLS, FIXTURES, ETC.
9. ALL WATER MAINS AND PIPING NOT SHOWN FOR CLARITY, ALL LOCATIONS FIELD VERIFIED.
10. DOMESTIC HOT AND COLD WATER PIPING AND FITTINGS UNDER SINK SHALL BE ASTM B88 COPPER WATER TUBE TYPE 1065 ANNEALED. NO JOINTS SHALL BE ALLOWED UNDER THE SLAB.
11. DOMESTIC WATER PIPING AND FITTINGS ABOVE THE SLAB SHALL BE ASTM B88 COPPER WATER TUBE, TYPE L, HARD DRAWN WITH COPPER PRESSURE TYPE FITTINGS, ANSI B16.22. THE JOINTS SHALL BE SOLDERED USING ASTM B32, ALLOY GRADE 95A (95-5) SOLDER.
12. SOIL WASTE VENT PIPING AND FITTINGS ABOVE THE SLAB SHALL BE SERVICE WEIGHT GAS IRON PIPE WITH BELL AND SPIGOT ENDS AND ONE PIECE NEOPRENE INSERT TYPE GASKET. USE PGC SCHEDULE 40 OR ABS DWV PIPES AND FITTINGS WHERE PERMITTED BY CODE.
13. ALL WATER PIPING AND FITTINGS ABOVE THE FLOOR SHALL BE INSULATED WITH $\frac{1}{2}$ " THICK FIBERGLASS INSULATION AND JACKET.
14. ALL ELECTRICAL, MECHANICAL AND PLUMBING PENETRATING FIRE PARTITIONS SHALL BE FIRE CAULKED. (PENETRATIONS THROUGH RATED CONSTRUCTION SHALL BE SEALED WITH A MATERIAL CAPABLE OF PREVENTING THE PASSAGE OF FLAMES AND HOT GASES WHEN TESTED IN ACCORDANCE WITH ASTM-E8-14J).
15. ALL PLUMBING LINES SHOWN ARE DIAGRAMMATICALLY.
16. PROVIDE P-TRAP WITH TRAP PRIMER IN RESTROOMS.



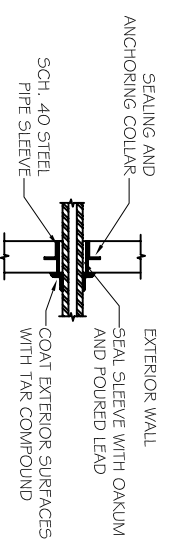
VENT THRU ROOF DETAIL
N.T.S.



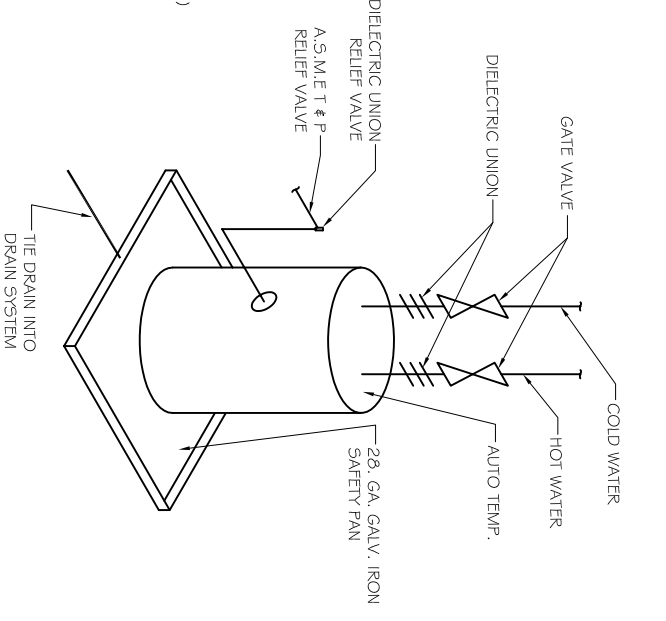
WALL CLEANOUT DETAIL
N.T.S.



FLOOR DRAIN DETAIL
N.T.S.



EXTERIOR WALL SLEEVE DETAIL
N.T.S.

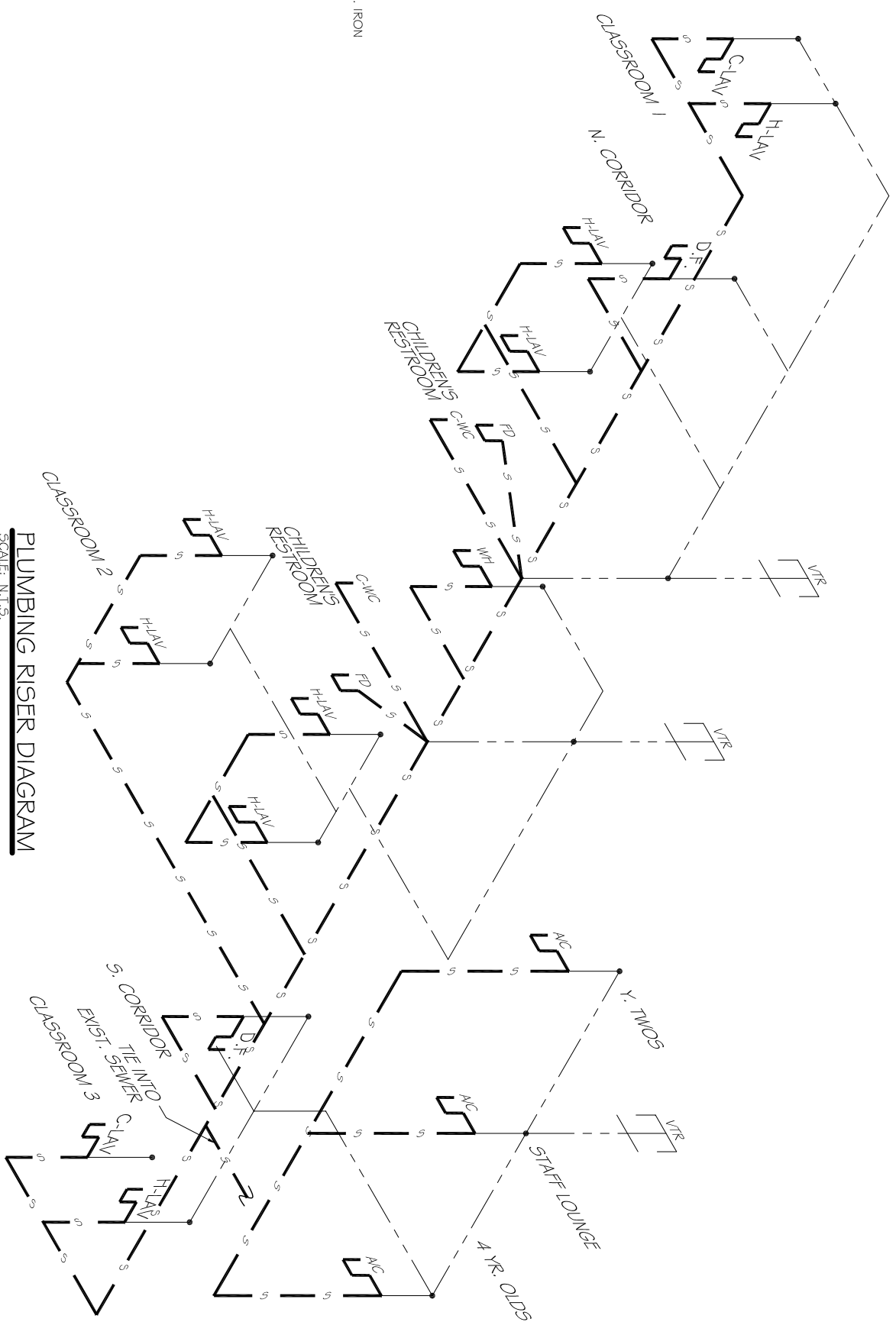


TYPICAL WATER HEATER
SCALE: N.T.S.

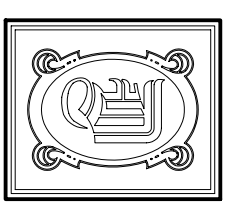
PLUMBING ABBREVIATIONS			
SYM	DESCRIPTION	SYM	DESCRIPTION
AC	AIR CONDITIONING UNIT	LAV	LAVATORY
DW	DISHWASHER	C	CHILDRENS HEIGHT FIXTURE
FD	FLOOR DRAIN	H	HANDICAP FIXTURE
F5	FLOOR SINK	D.F.	DRINKING FOUNTAIN

NOTES:

1. INSULATE PIPING FOR HANDICAP FIXTURE.
2. PROVIDE CHAIR CARRIER FOR WALL HUNG FIXTURE.
3. H.C. - HANDICAP FIXTURE
4. INSTALL CONTINUOUS DRIP ON ALL FLOOR DRAINS.



PLUMBING RISER DIAGRAM
SCALE: N.T.S.



DAMMON ENGINEERING, INC.

CHIEF ENGINEER
ENMETT DAMMON, P.E.
CHIEF ARCHITECT
ROBERT WILTSE

1095 FLORIDA AVENUE
SLIDELL, LA, 70458
OFFICE: 985-649-5832
FAX: 985-641-5950

WEBSITE:
WWW.DAMMONENGINEERING.COM
EMAIL:
DAMMONEN@BELLSOUTH.NET

ARCHITECTURE
ENGINEERING
STUDIES
PLANNING
INVESTIGATION
EXPERT WITNESS

NEW CLASSROOMS

RAINBOW CENTER
KINGSPPOINT
21 KINGSPPOINT BLVD
SLIDELL, LA

PLUMBING RISER,
NOTES &
DETAILS

REV:

SCALE: AS NOTED

JOB#: 1998

DATE: 08-28-08

SHEET

P-2

OF