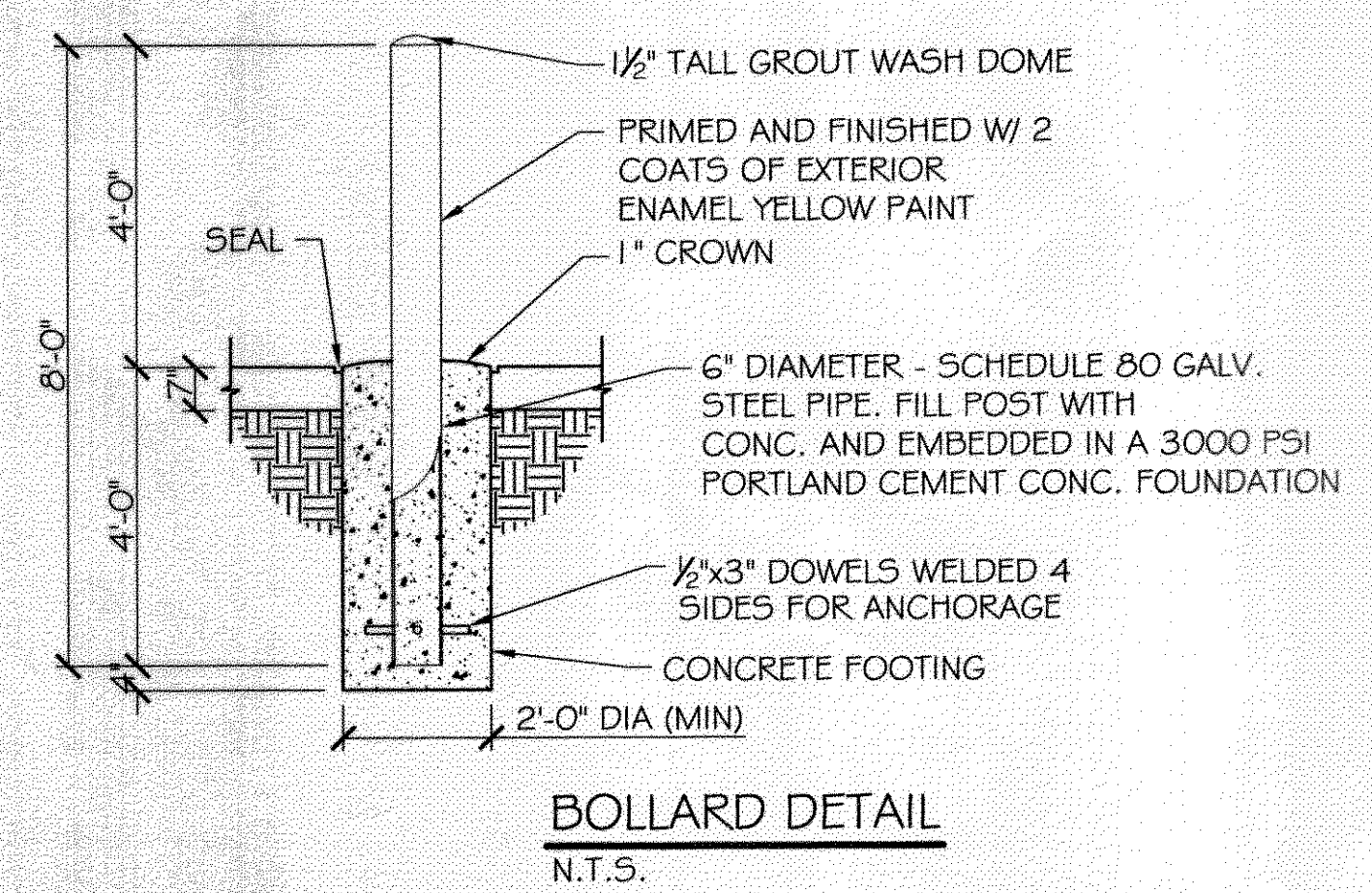
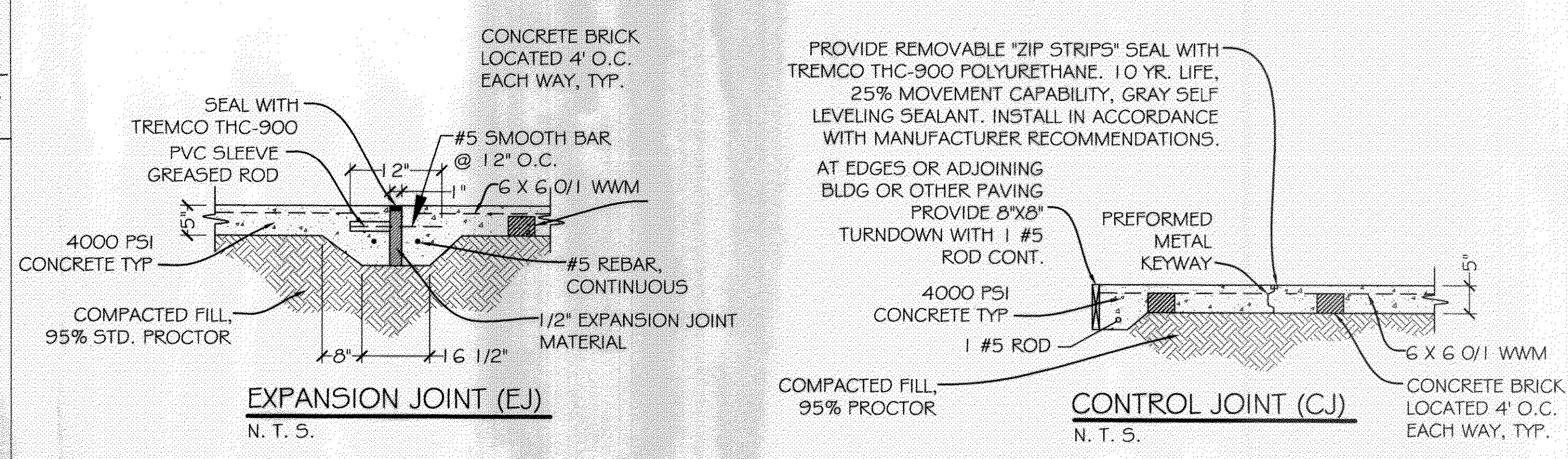


PAVING & DRAINAGE PLAN
SCALE: 1" = 10'-0"

- LEGEND**
- - - - - PROPERTY LINE
 - NEW BLDG. FOOTPRINT
 - - - - - SETBACK LINE
 - - - - - NEW FENCE
 - - - - - 6" CONCRETE CURB
 - - - - - EXPANSION JOINT (30x45')
 - - - - - CONTROL JOINT (10x15')
 - INDICATES DIRECTION OF DRAINAGE
 - 0.00' - NEW ELEVATION
 - #0.00' - INVERT ELEVATION

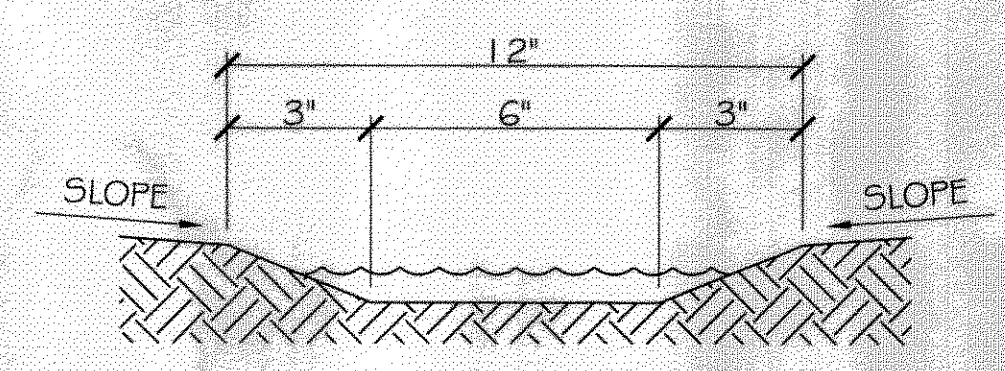


BOLLARD DETAIL
N.T.S.

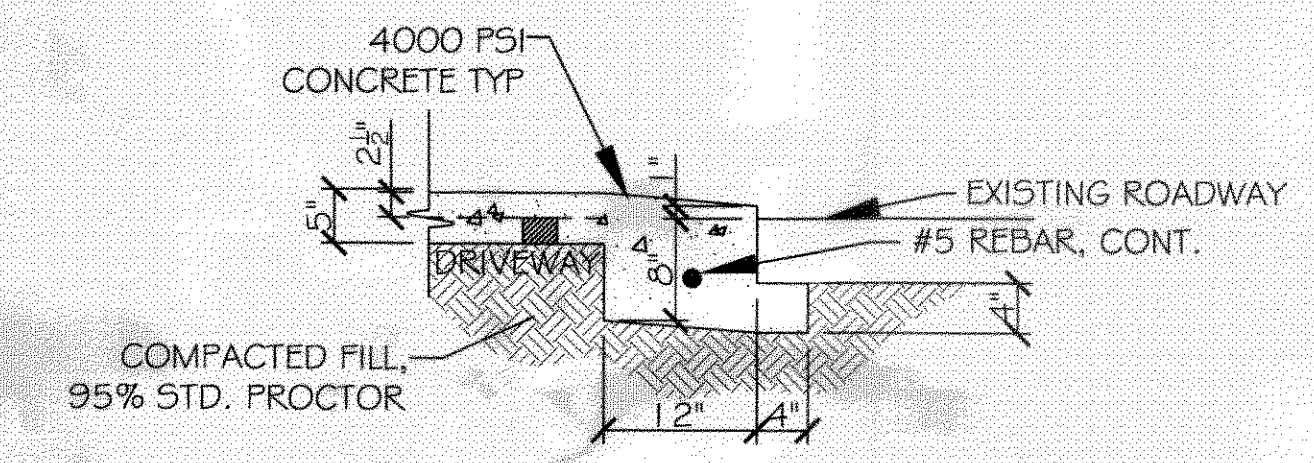


EXPANSION JOINT (EJ)
N. T. S.

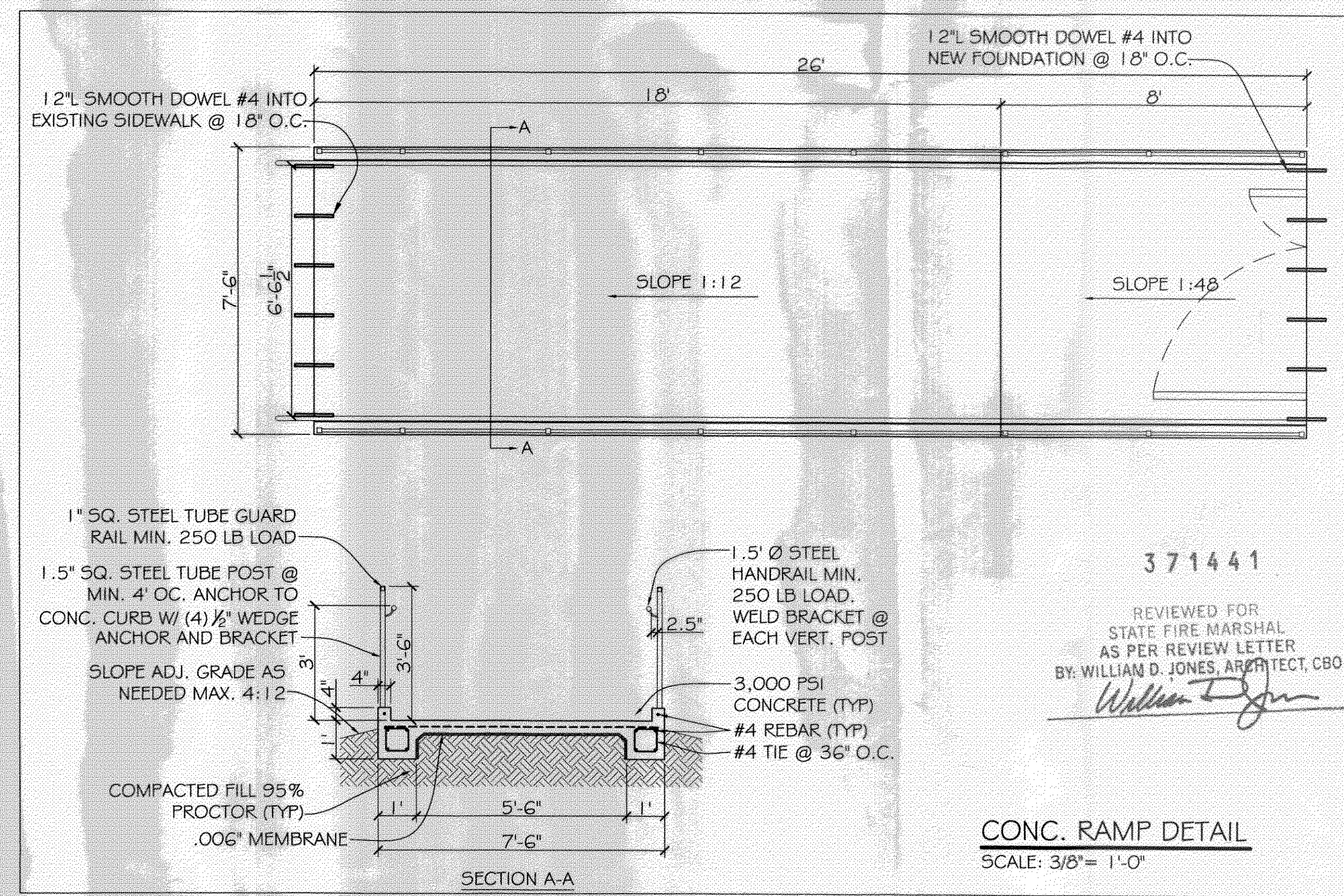
CONTROL JOINT (CJ)
N. T. S.



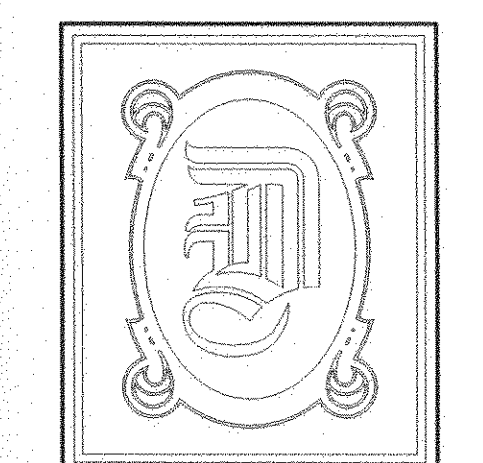
SWALE DETAIL
N. T. S.



DRIVEWAY SECTION
N. T. S.



CONC. RAMP DETAIL
SCALE: 3/8" = 1'-0"



DAMMON ENGINEERING, INC.

CHIEF ENGINEER
EMMETT DAMMON, P.E.

CHIEF ARCHITECT
ROBERT WILTSE

1095 FLORIDA AVENUE
SLIDELL, LA. 70458
OFFICE: 985-649-5832
FAX: 985-641-5950

WEBSITE:
WWW.DAMMONENGINEERING.COM
EMAIL:
DAMMONENG@BELLSOUTH.NET

- ARCHITECTURE
- ENGINEERING
- STUDIES
- PLANNING
- INVESTIGATION
- EXPERT WITNESS

NEW CREMATION AND EMBALMING FACILITY

HONAKER FUNERAL HOME
TERRY TRANCHINA
1751 W. GAUSE BLVD
SLIDELL, LA

PAVING & DRAINAGE PLAN

REV: Robert Wiltse

SCALE: AS NOTED

JOB#: 1999

DATE: 6-9-09

SHEET 3

C-2