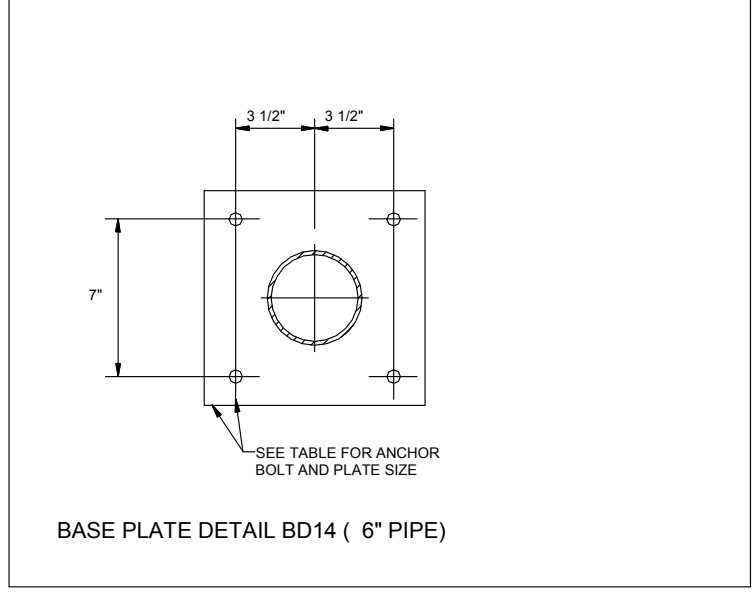
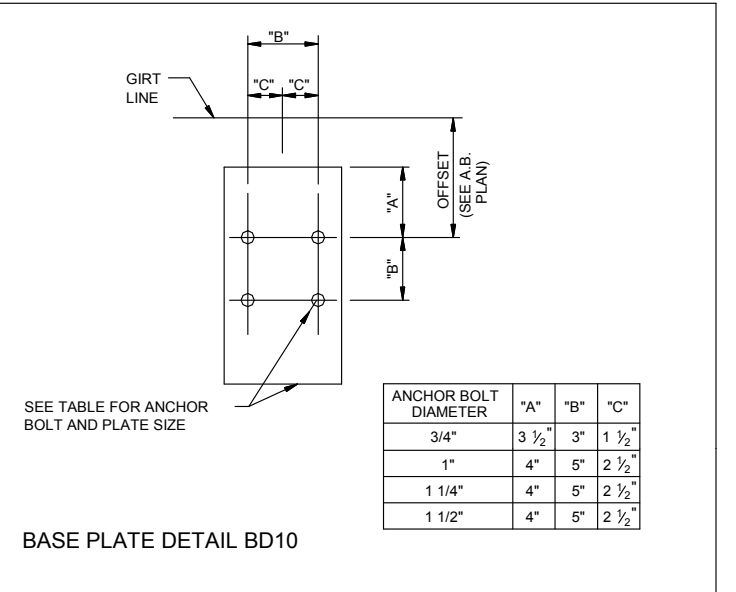
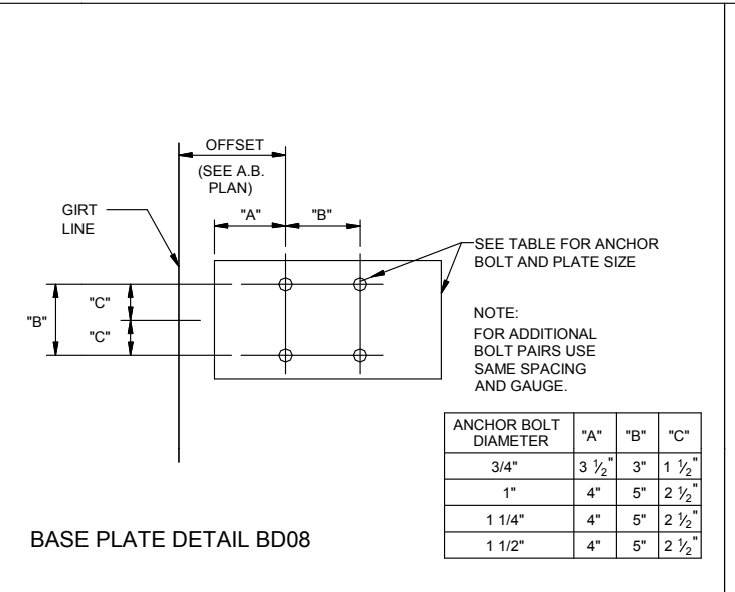
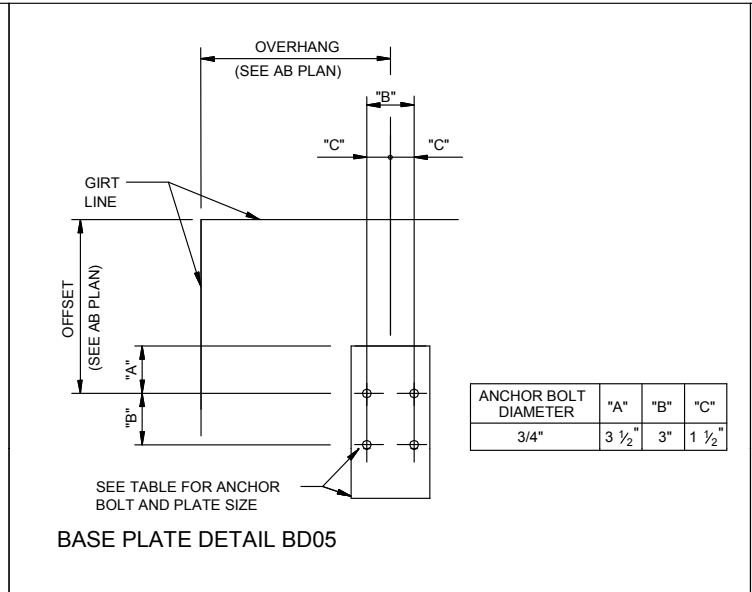


LOADING CONDITION	Frame Line 6											
	A		B		C		D		E		F	
	H (kips)	V (kips)	H (kips)	V (kips)	H (kips)	V (kips)	H (kips)	V (kips)	H (kips)	V (kips)	H (kips)	V (kips)
D		+0.3		+1.0		+1.0		+0.9		+1.1		+0.4
L		+1.1		+4.5		+4.1		+3.6		+4.9		+1.6
C		+0.2		+0.9		+0.8		+0.7		+0.9		+0.3
W		-1.1	-1.9 to +2.1	-4.2	-2.4 to +2.6	-3.8	-2.3 to +2.6	-3.4	-2.1 to +2.3	-4.5		-1.5
E	-0.1 to +0.1		-0.2 to +0.2		-0.3 to +0.3		-0.3 to +0.3		-0.3 to +0.3		-0.1 to +0.1	

Base Plate & Anchor Bolt Table							
Base Plate				Anchor Bolt			
Mark#	Draw#	Base El.	Length	Width	Depth	Qty	Dia
BP01	BD05	0'0"	8 1/2"	5"	3/8"	4	3/4"
BP02	BD10	0'0"	1'9"	5"	3/8"	4	3/4"
BP03	BD14	0'0"	10"	10"	3/8"	4	3/4"
BP04	BD08	0'0"	8 1/2"	5"	3/8"	4	3/4"
BP05	BD08	0'0"	8 1/2"	6"	3/8"	4	3/4"



AMERICAN BUILDINGS COMPANY RESERVES THE RIGHT TO REVISE DATA, DIMENSIONS AND INFORMATION PRESENTED IN THIS DRAWING BASED ON RECEIPT OF ORDER DOCUMENTATION. ORDER CLARIFICATION AND FINAL ENGINEERING. THIS DRAWING IS INTENDED FOR THE PURPOSES OF APPROXIMATE REPRESENTATION AND MAY NOT BE SUITABLE FOR CONSTRUCTION, APPROVAL DRAWINGS, PERMIT DRAWINGS, OTHER FINAL ENGINEERING DRAWINGS & DOCUMENTATION UNLESS APPROVED FOR SUCH PURPOSE BY AMERICAN BUILDINGS COMPANY.

NO.	REVISIONS	MADE	CK'D	DATE	ENGR	DATE

DRAWING SUBMITTAL STATUS	SCALE: NONE	DATE
[] FOR CONSTRUCTION	DRAWN BY:	09/28/2009
[] FOR APPROVAL	CHK'D BY:	15.26.08
[] FOR PERMIT ONLY	DSGN APP BY:	
[] FOR PRELIMINARY	CAD BY:	
RELEASE NO.		

Child Dev. Council of Acadiana, Inc
Opelousas, LA 70570
E. L. Habetz Builders, Inc.
HAB903 Part 1

EUFULA ALABAMA
AMERICAN BUILDINGS COMPANY
DRAWING NUMBER: ABolt03
REV. NO.