

DAMMON
ENGINEERING, INC.

CHIEF ENGINEER
EMMETT
DAMMON, P.E.

CHIEF ARCHITECT
ROBERT
WILTSE

1095 FLORIDA AVENUE
SLIDELL, LA, 70458
OFFICE: 985-649-5832
FAX: 985-641-5950

WEBSITE:
WWW.DAMMONENGINEERING.COM
EMAIL:
DAMMONENG@BELLSouth.NET

ARCHITECTURE
ENGINEERING
STUDIES
PLANNING
INVESTIGATION
EXPERT WITNESSES

NEW OFFICE
COMPLEX

CHILD DEVELOPMENT
COUNCIL OF
ACADIANA, INC.
OPELOUSAS, LA

MILL WORK
DETAILS

REV: 12-7-09 CONST.

SCALE: AS NOTED

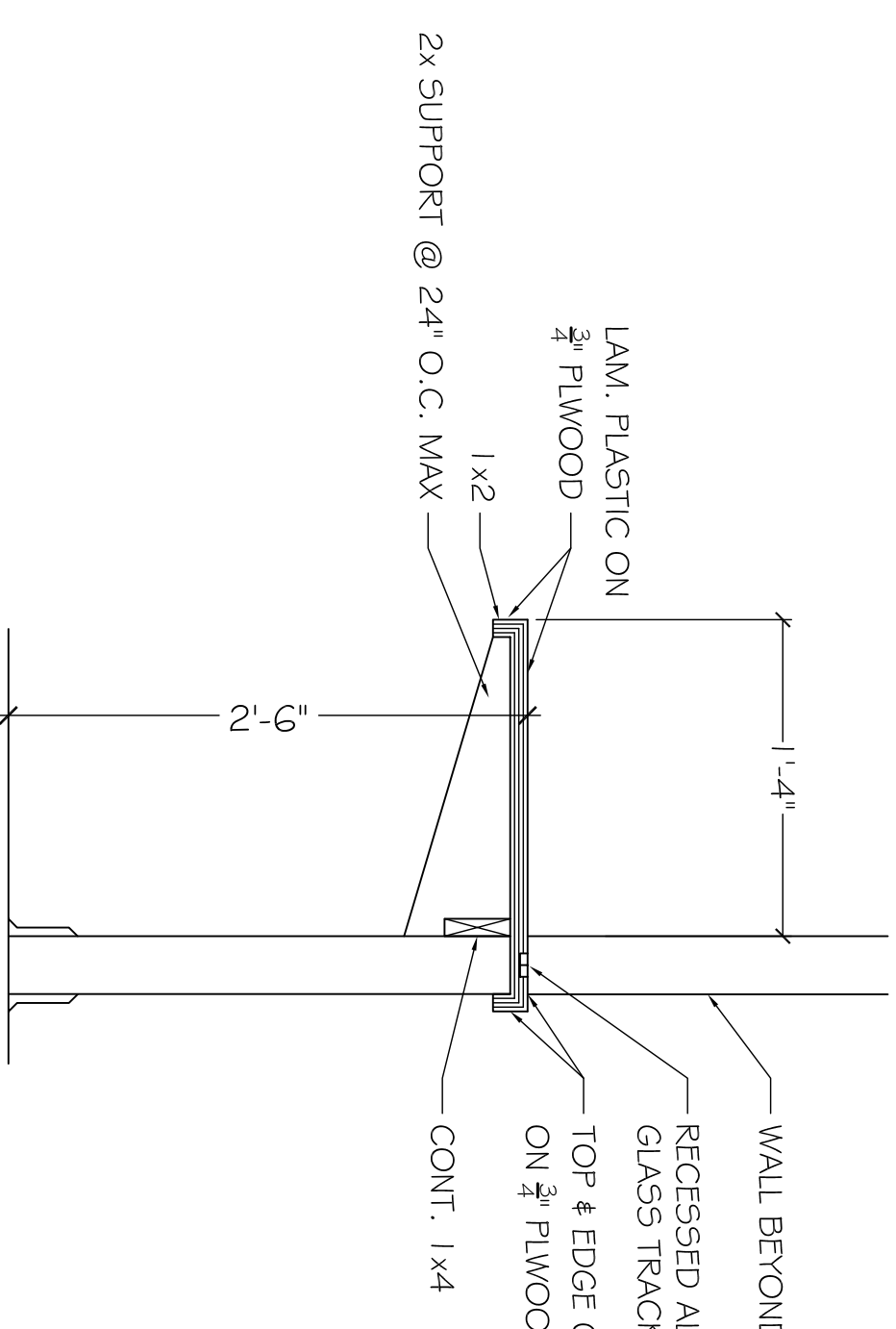
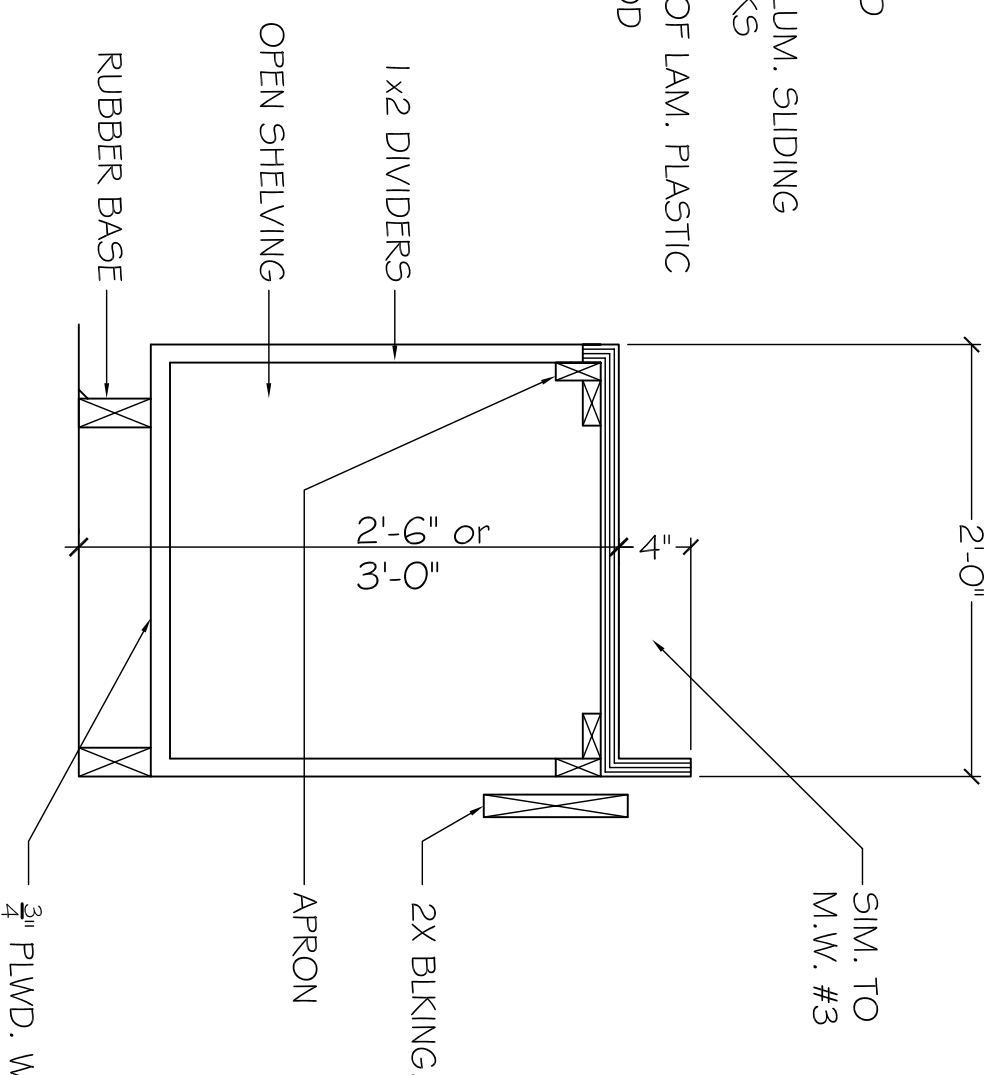
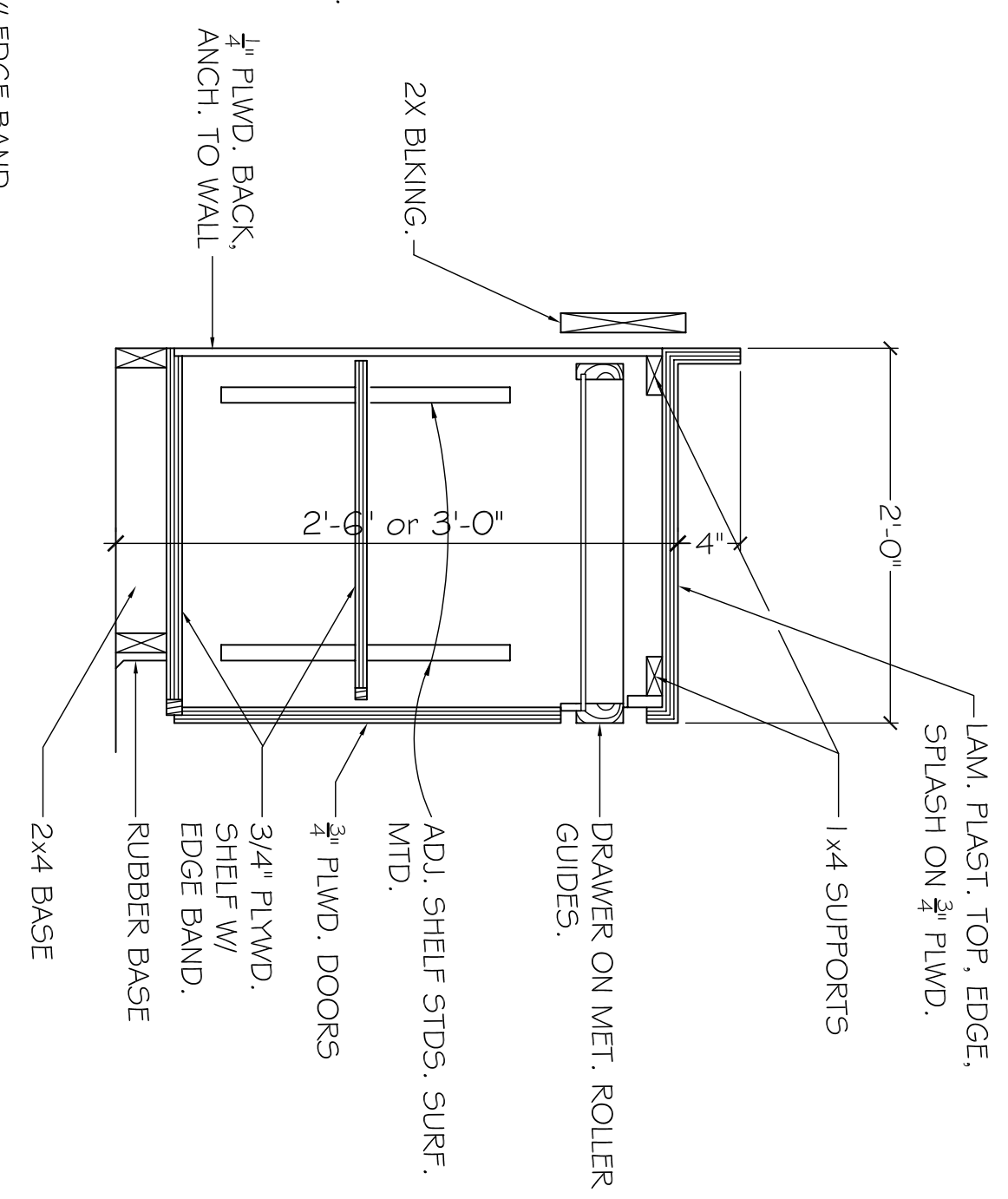
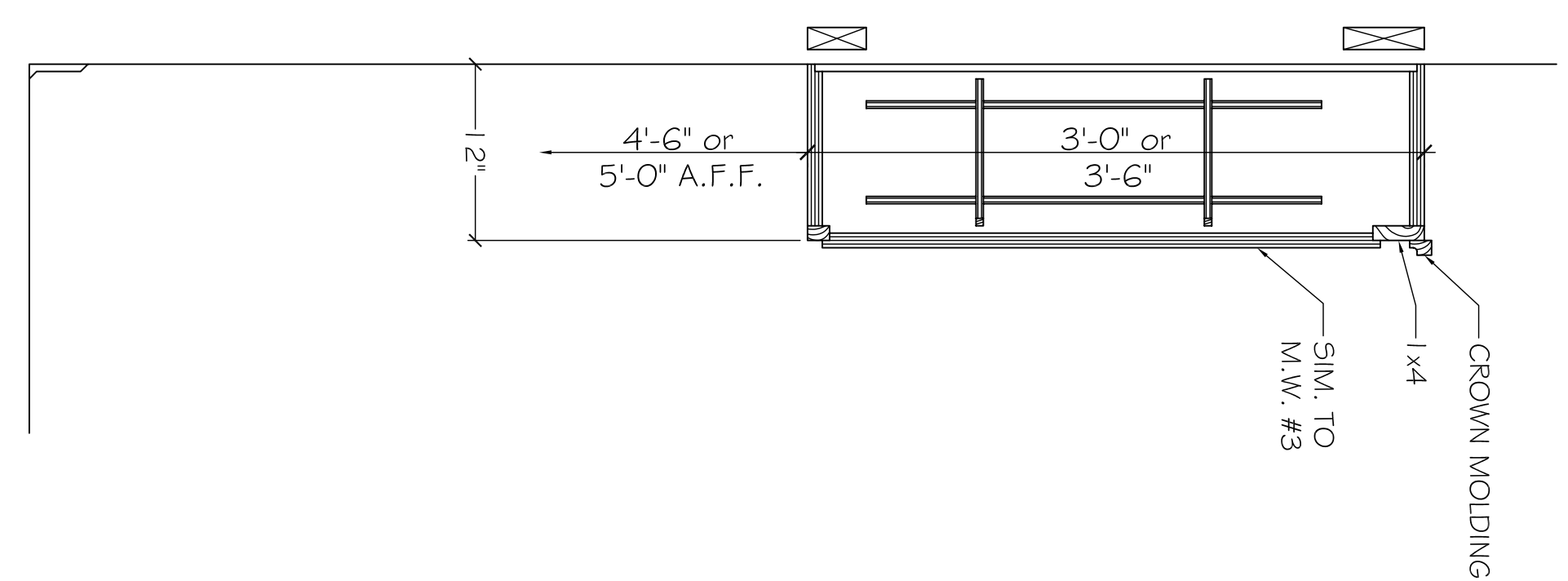
JOB#: 2030

DATE: 10-19-09

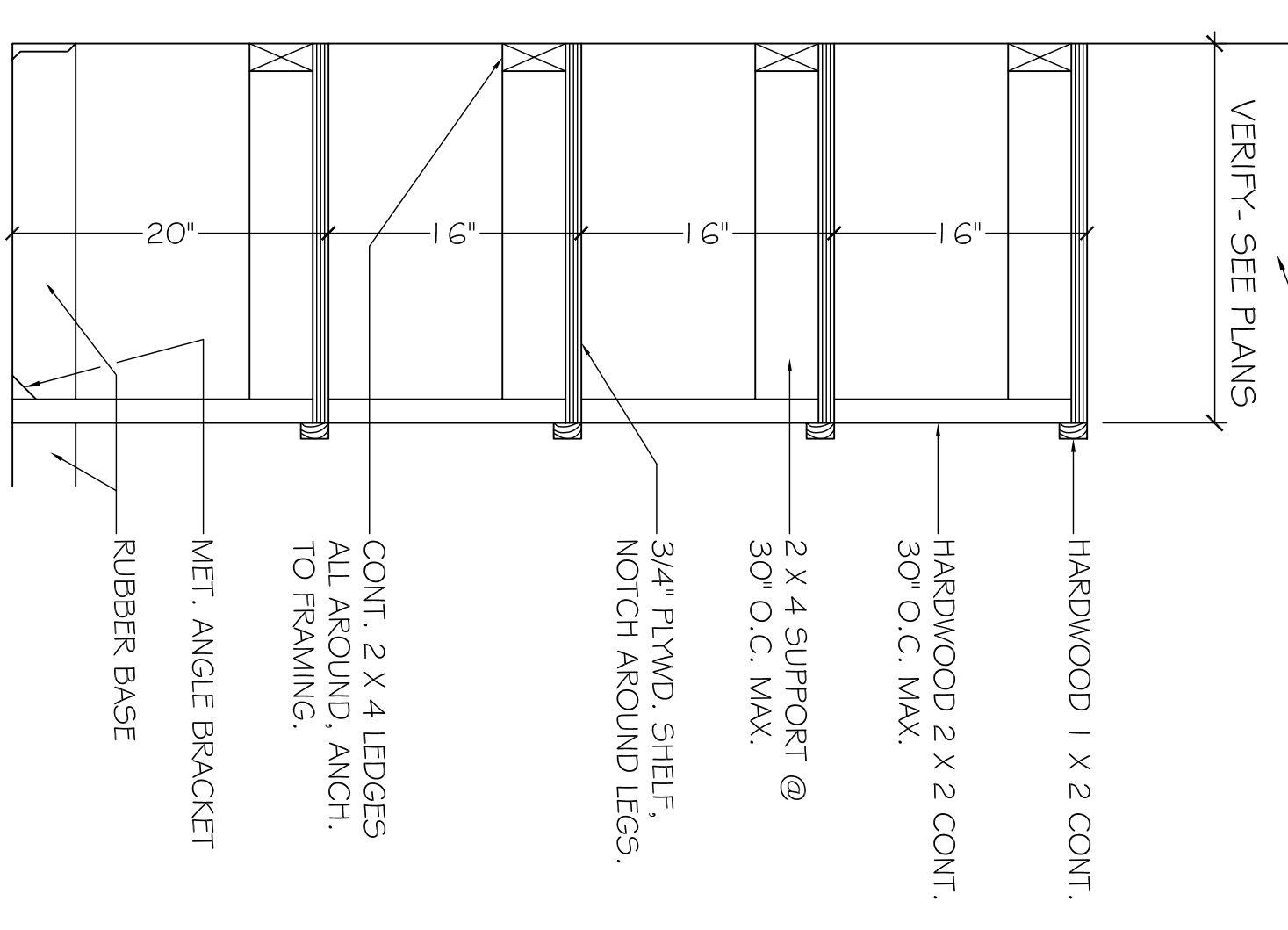
SHEET 15

A-6

OF 26



ALL STRUCTURAL
CONNECTIONS TO BE GLUED &
SCREWED - NO NAILS.



FINISH NOTES:

1. ALL COLORS AND PATTERNS TO BE SELECTED BY ARCH. AND OWNER.
2. CONTRASTING COLOR STRIPS OR PATTERNS IN TILE FLOORS WILL BE USED IN CORRIDORS, I.I.S AND FOYER 101.
3. ALL INTERIOR FINISHES TO COMPLY W/ FLAME SPREAD AND SMOKE DEVELOPED REQUIREMENTS.
4. GYP. BD. CEILINGS TO HAVE LIGHT ORANGE PEEL TEXTURE.
5. ALL MILLWORK AND INTERIOR DOORS TO BE VARNISHED.
6. RUBBER BASE TO BE EQUAL IN ROPE.
7. PROVIDE MOISTURE RESISTANT TYPE GYP. BD. IN ALL DAMP AREAS. (LAUNTOR AND YARD STOR.)
8. PROVIDE HOLD DOWN CLIPS FOR SUPP. CLG. IN ALL TOILET RWS.