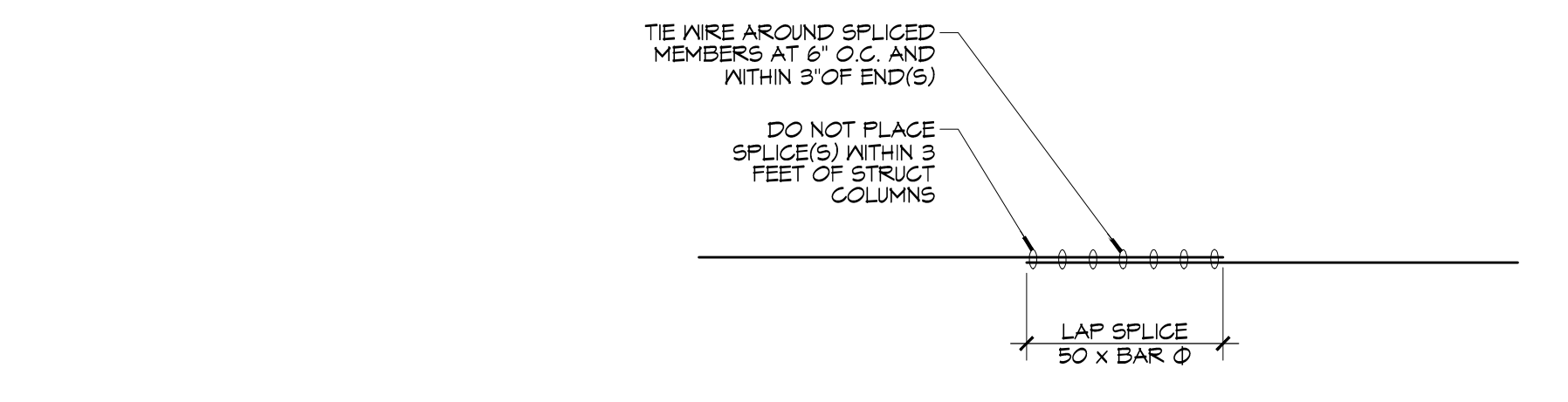
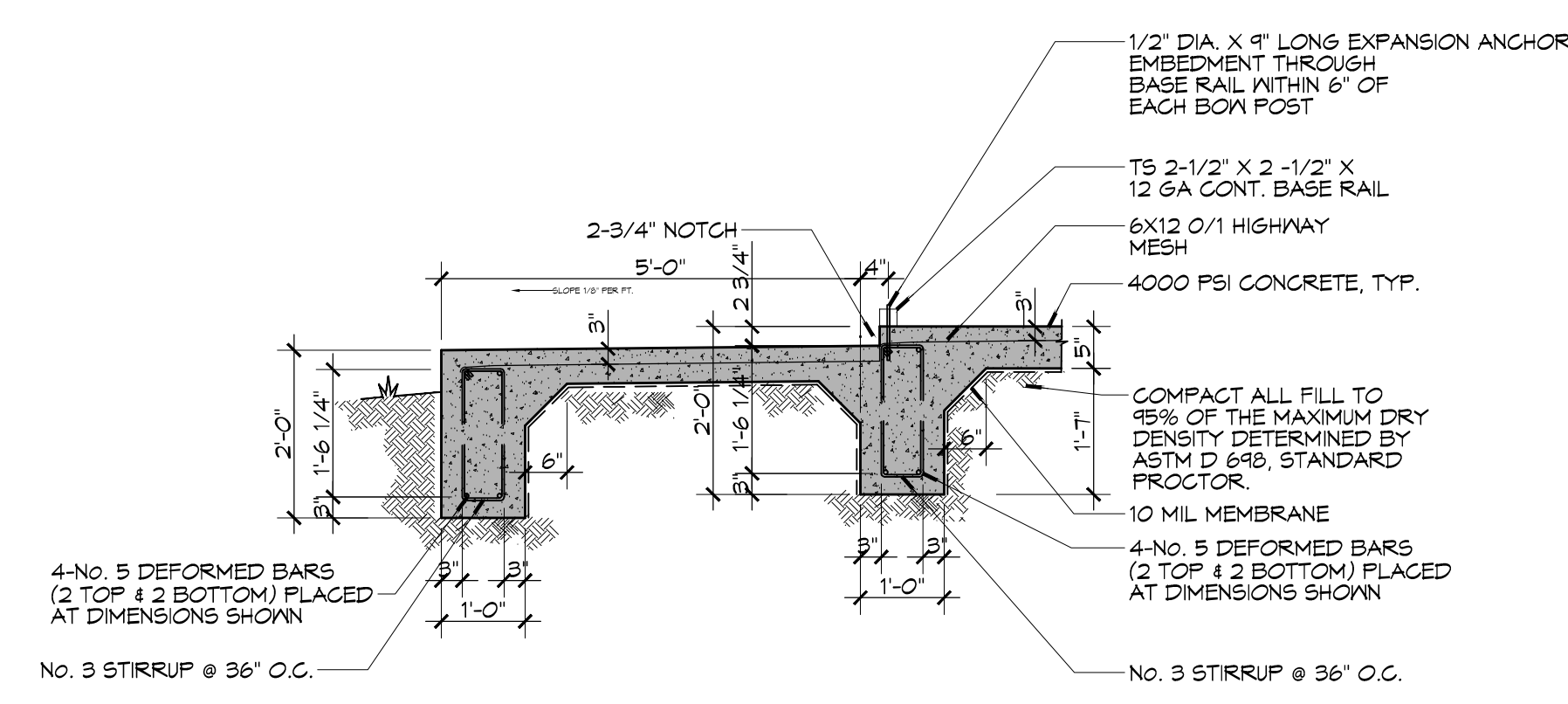
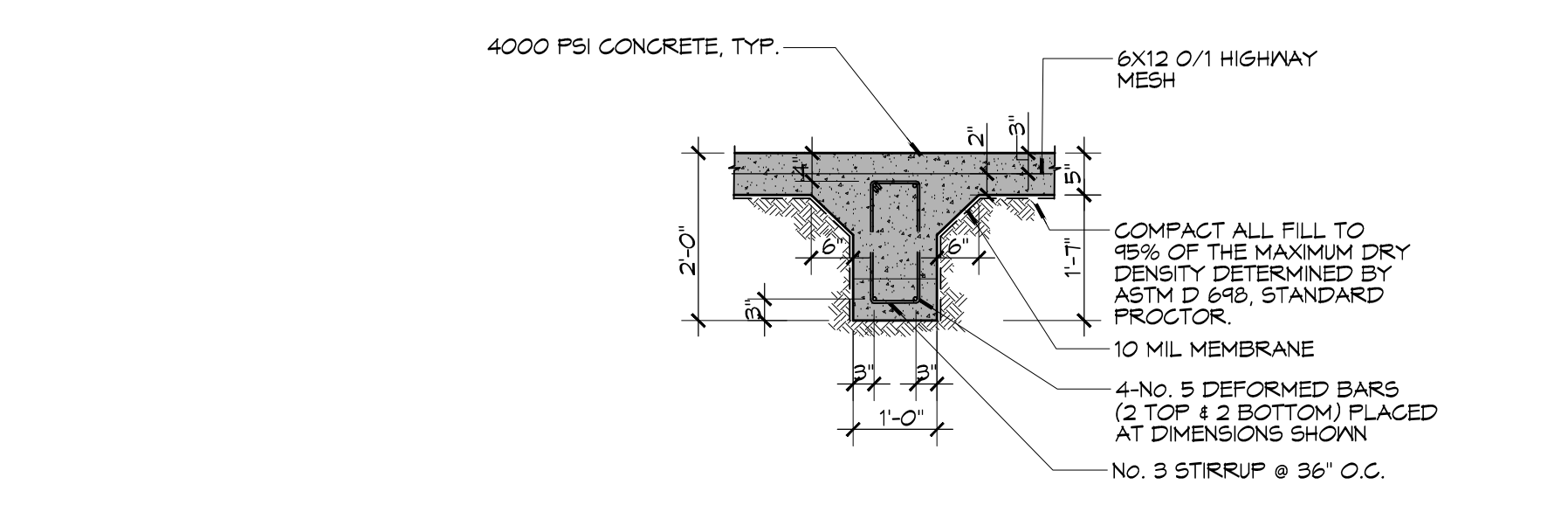
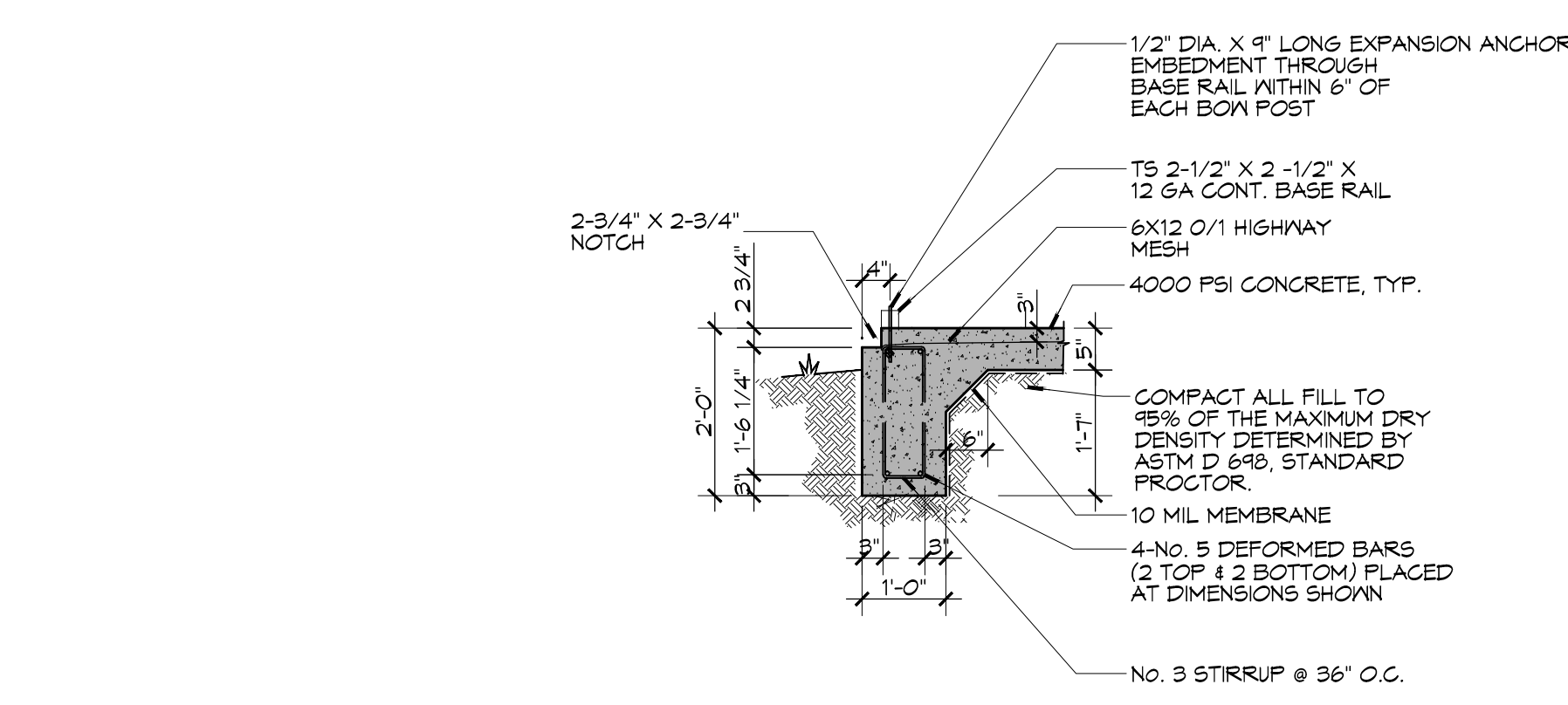
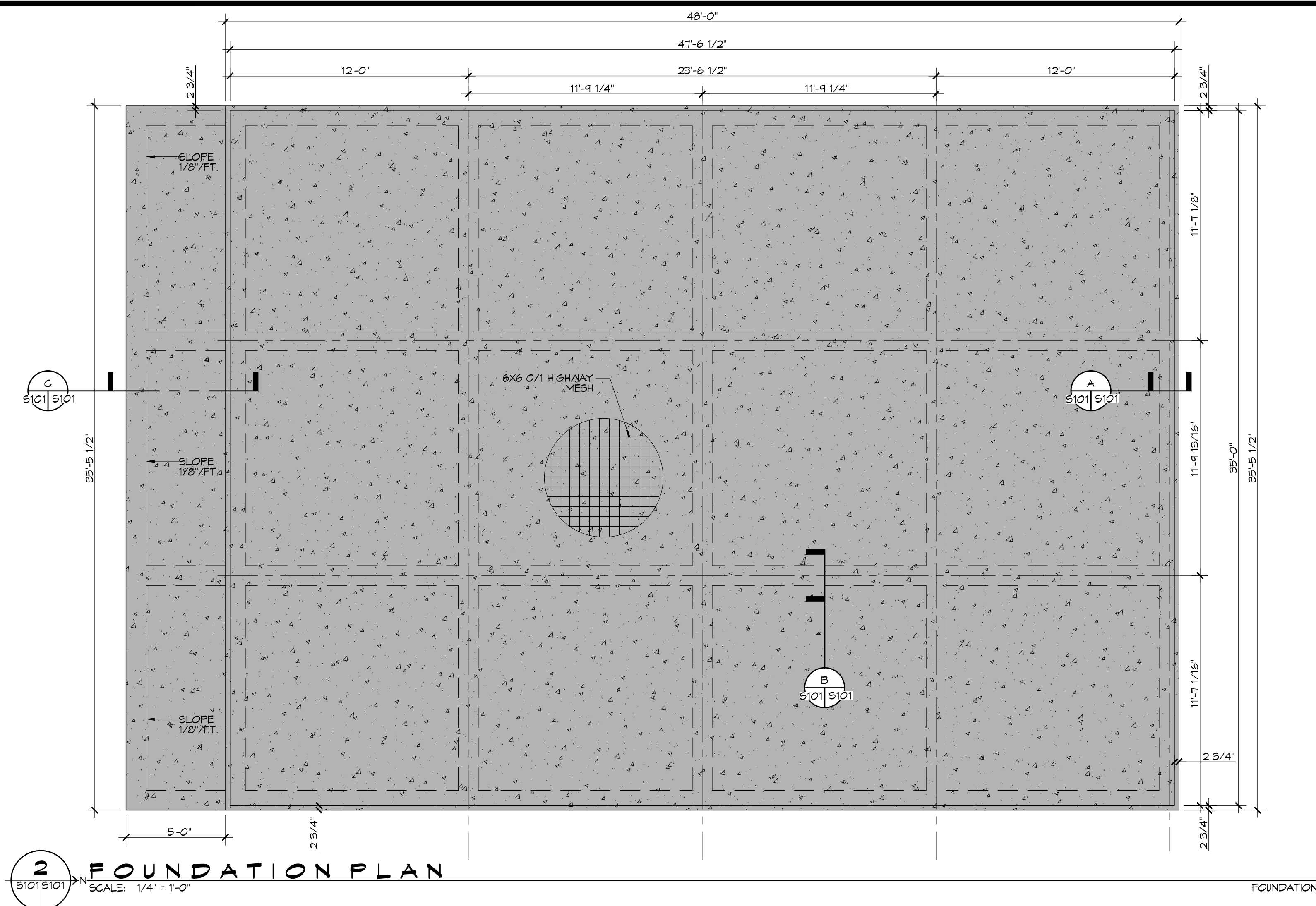


FILE NAME: \\s\shared\paul\dwg\1801\1801-FOUNDATIONAL\1801-FOUNDATIONAL.dwg - Foundation Notes - 11/11/15 2:49:09 PM
 PLOT DATE: 11/11/15 2:49:09 PM
 PLOT SCALE: 1/4" = 1'-0"



- ### GENERAL FOUNDATION NOTES
- ALL DIMENSIONS ARE EDGE OF CONCRETE (EOC) TO EDGE OF CONCRETE (EOC) UNLESS NOTED OTHERWISE.
 - CONCRETE MIX SHALL HAVE A MINIMUM COMPRESSIVE STRENGTH OF 4000 PSI AT 28 DAYS. CONCRETE MIX SHALL BE IN ACCORDANCE WITH ACI-318.
 - ALL CONVENTIONAL REINFORCING STEEL SHALL MEET ASTM-A615 (GRADE 60).
 - ONE LAYER OF POLYETHYLENE VAPOR BARRIER SHALL BE PLACED UNDER ALL CONCRETE. VAPOR RETARDER TO BE MINIMUM 10 MIL THICKNESS; ASTM E 1745 CLASS A, PERMEANCE LESS THAN 0.01 PERMS, EQUAL TO STEGO INDUSTRIES STEGO WRAP, EGOSHIELD-E 15 MIL BY EPRO, OR RONBAR 15 BY FLATRON FILMS; PROVIDE APPROPRIATE ACCESSORIES FOR A COMPLETE SYSTEM.
 - ALL REINFORCING STEEL AND MESH SHALL BE SECURELY SUPPORTED TO PREVENT BOTH VERTICAL AND HORIZONTAL MOVEMENT DURING CONCRETE PLACEMENT.
 - THE CONTRACTOR SHALL VERIFY ALL DROPS, OFFSETS, BRICK LEDGES, DIMENSIONS AND CONFIGURATIONS. CONTRACTOR MUST BE RESPONSIBLE FOR SAME.
 - GRADE BEAM DIMENSIONS MAY VARY BY -5%, +20%.
 - NEW SPREAD CONCRETE FOOTINGS AND CONTINUOUS FOOTINGS, BEARING ON COMPACTED STRUCTURAL FILL AT LEAST 2 FEET BELOW FINISHED GRADE, SHOULD BE DESIGNED FOR MINIMUM NET ALLOWABLE BEARING PRESSURES OF 1200 PSF AND 2000 PSF, RESPECTIVELY, BASED ON DEAD LOADS AND DESIGN LIVE LOADS.
 - ALL SOIL BELOW SLAB SHALL RECEIVE TERMITE TREATMENT.

DAMMON ENGINEERING, INC.
 www.dammonengineering.com
 info@dammonengineering.com
 554 Old Spanish Trail
 Slidell, LA 70468
 PH: 985.649.5832
 Fax: 985.641.5950

#	DESCRIPTION	DATE

SEAL:

PAUL JOHNSON
PHILIP SCHOLZ
 1801 LACUS DR
 SLIDELL, LOUISIANA 70468
 JOB NO: 2015 DATE: 11-11-15
 DRAWN BY: CAC CHECKED BY: BAW

SHEET TITLE:
FLOOR PLAN & FOUNDATION PLAN
 DRAWING NUMBER:
S101
 SHEET No: 1 of 1