

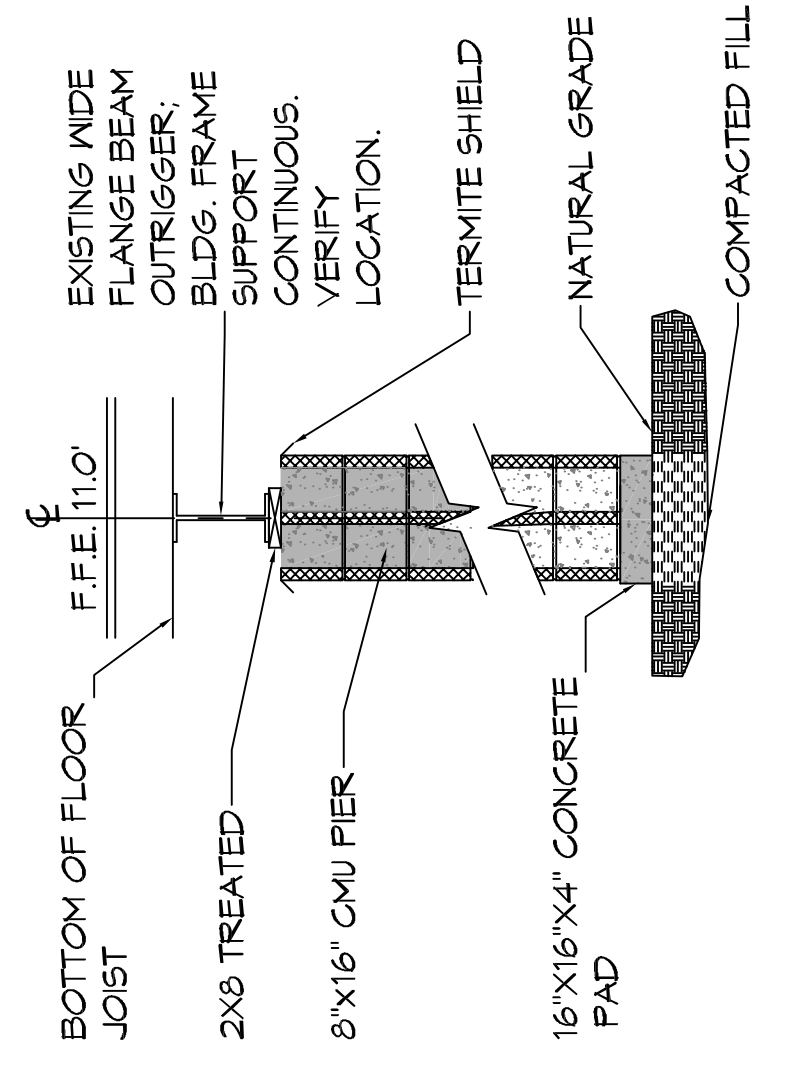
#	DESCRIPTION	DATE



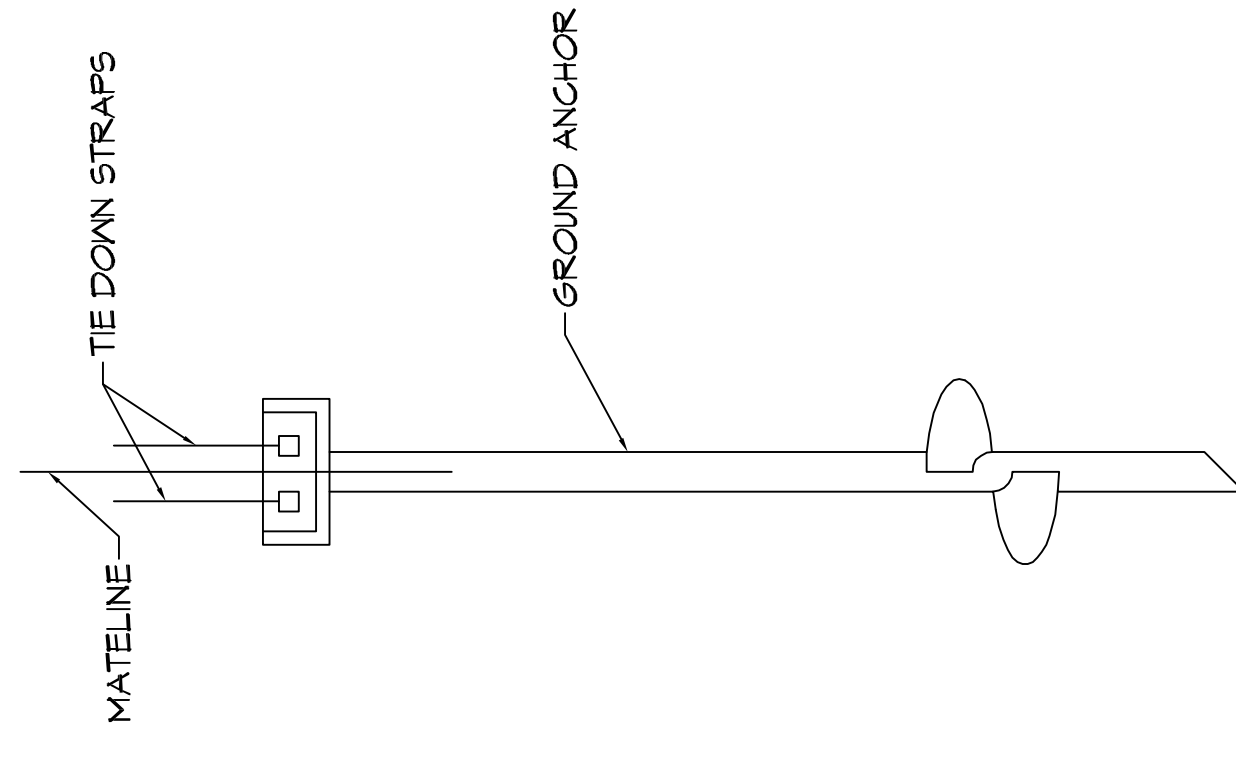
JOB NO: 2440  
 DATE: 06-10-2021  
 CHECKED BY: CKD  
 DRAWN BY: BAW  
 PROJECT: 1000 CAULETTE RD, SLIDELL, LA, 70458  
 SHEET TITLE: FOUNDATION PLAN  
 DRAWING NUMBER: S101

**GENERAL FOUNDATION NOTES**

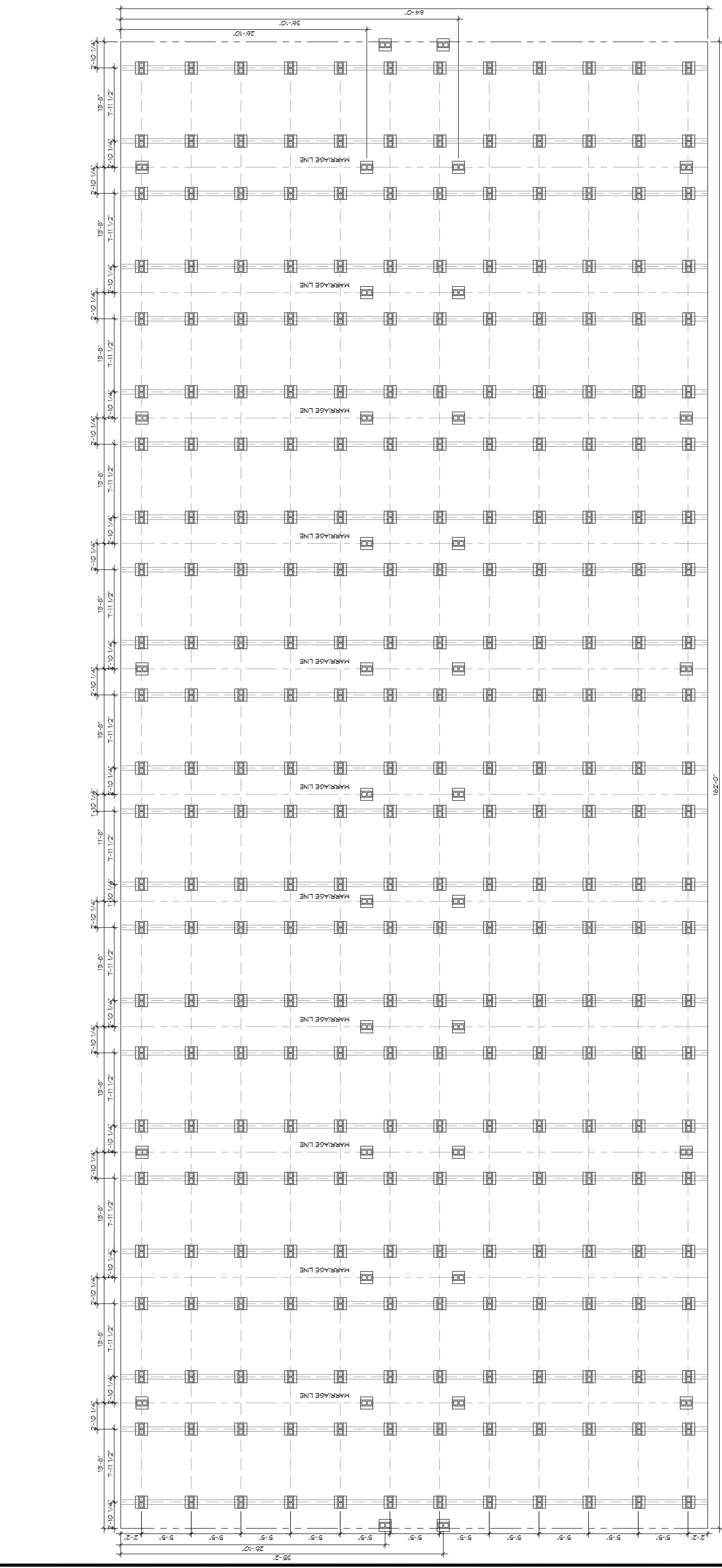
1. THE CONTRACTOR SHALL VERIFY ALL BEAM, BEAM LOCATIONS PRIOR TO INSTALLING PADS AND BLOCKS AND INSTALL ACCORDINGLY.
2. THIS FOUNDATION PLAN IS TYPICAL FOR BOTH LOCATIONS.



**16 FOUNDATION SECTION**  
 SCALE: 1/2" = 1'-0"



**17 GROUND ANCHOR DETAIL**  
 SCALE: 1/2" = 1'-0"



**18 FOUNDATION PLAN**  
 SCALE: 3/16" = 1'-0"