

**TABLE S601.7 - UPLIFT CONNECTIONS - 130 MPH WINDS EXP "C"**  
NFCM 2015 TABLE 3.2

CONNECTION	FRAMING SPACING (INCHES)	ROOF SPAN (FEET)	UPLIFT	LATERAL	SHEAR	NUMBER OF 8d COMMON NAILS OR 10d BOX NAILS IN EACH END OF 1-1/4" X 20 GAGE STRAP
ROOF ASSEMBLY TO WALL ASSEMBLY	16" OC	16	401	292	152R	4
WALL ASSEMBLY TO FOUNDATION	16" OC	16	224	219	436	4

**TABLE S601.8 - SILL OR BOTTOM PLATE TO FOUNDATION CONNECTIONS RESISTING UPLIFT LOADS - 130 MPH WIND EXP "C"**  
NFCM 2015 TABLE 3.2C

BOTTOM PLATE TO FOUNDATION ANCHOR BOLT CONNECTION RESISTING	FOUNDATION SUPPORTING	MAXIMUM ANCHOR BOLT SPACING (INCHES)	
		8' END ZONES	INTERIOR ZONES
UPLIFT LOADS	1 - 3 STORIES	25 INCHES ON CENTER	30 INCHES ON CENTER

NOTE: A MINIMUM OF ONE ANCHOR BOLT SHALL BE PROVIDED WITHIN 6 TO 12 INCHES OF EACH END OF EACH PLATE

**TABLE S601.9 - SILL OR BOTTOM PLATE TO FOUNDATION CONNECTIONS RESISTING SHEAR LOADS - 130 MPH WIND EXP "C"**  
NFCM 2015 TABLE 3.2B

BOTTOM PLATE TO FOUNDATION ANCHOR BOLT CONNECTION RESISTING	FOUNDATION SUPPORTING	MAXIMUM ANCHOR BOLT SPACING (INCHES)	
		5/8" Ø ANCHOR BOLTS	48 INCHES ON CENTER W/3X3X1/4" WASHER
UPLIFT LOADS	4 STORY		

**TABLE S601.10 - FULL HEIGHT STUD REQUIREMENT FOR HEADERS OR WINDOW SILL PLATES IN EXTERIOR WALLS EXPOSURE "C"**  
NFCM 2015 TABLE 3.23C

HEADER SPAN (FEET)	WALL SPACING (INCHES)		
	12" O.C.	16" O.C.	24" O.C.
2	1	1	1
4	2	2	1
6	3	3	2
8	4	3	2

**TABLE S601.5 - JACK STUD REQ - INT LOADBEARING WALLS**

HEADER SUPPORTING	HEADER SPAN (FT)	ROOF SPAN (FEET)											
		12 FEET				24 FEET				36 FEET			
		3"	4.5"	5"	6.5"	3"	4.5"	5"	6.5"	3"	4.5"	5"	6"
ONE FLOOR ONLY (CENTER BEARING)	2	1	1	1	1	1	1	1	1	1	1	1	1
	4	1	1	1	1	1	1	1	1	1	1	1	1
	6	1	1	1	1	1	1	1	1	2	1	1	1
	8	1	1	1	1	2	1	1	1	2	2	2	1
	10	1	1	1	1	2	2	1	1	3	2	2	2
	12	1	1	1	1	2	2	2	1	3	2	2	2
	14	2	1	1	1	3	2	2	2	4	3	3	2
TWO FLOORS (CENTER BEARING)	2	1	1	1	1	1	1	1	1	2	1	1	1
	4	1	1	1	1	2	1	1	1	3	2	2	2
	6	2	1	1	1	3	2	2	2	4	3	2	2
	8	2	2	1	1	3	2	2	2	5	3	3	3
	10	2	2	2	1	4	3	3	2	6	4	4	3
	12	3	2	2	2	5	3	3	3	7	5	4	4
	14	3	2	2	2	6	4	4	3	8	5	5	4
16	4	3	2	2	6	4	4	3	9	6	6	5	

**TABLE S601.6 - JACK STUD REQ - EXTERIOR LOADBEARING WALLS**  
NFCM 2021 TABLE 3.22F

ROOF AND CEILING	HEADER WIDTH - 3" (2-2x), 4.5" (3-2x), 5", 6.5" (4-2x) EACH 1/2" PLYWOOD SPACER BETWEEN	ROOF LIVE LOAD 20 PSF				ROOF LIVE LOAD 30 PSF				
		3"	4.5"	5"	6.5"	3"	4.5"	5"	6.5"	
		NUMBER OF JACK STUDS REQUIRED								
ROOF AND CEILING	2	1	1	1	1	1	1	1	1	1
	4	1	1	1	1	1	1	1	1	1
	6	2	1	1	1	2	1	1	1	1
	8	2	2	2	1	2	2	2	1	1
	10	3	2	2	2	3	2	2	2	2
	12	3	2	2	2	3	2	2	2	2
	14	4	3	2	2	4	3	2	2	2
ROOF, CEILING, AND ONE CENTER BEARING FLOOR	2	1	1	1	1	1	1	1	1	1
	4	2	1	1	1	2	1	1	1	1
	6	2	2	2	1	3	2	2	2	2
	8	3	2	2	2	3	2	2	2	2
	10	4	3	2	2	4	3	3	2	2
	12	4	3	3	2	5	3	3	3	3
	14	5	4	3	3	5	4	3	3	3
16	6	4	4	3	6	4	4	3	3	

**TABLE S601.3 - NAILING SCHEDULE**  
NFCM 2015 TABLE 3.1

DESCRIPTION	NUMBER OF COMMON NAILS	NUMBER OF BOX NAILS	SPACING
HEADER TO HEADER (FACE NAILED)	16d	16d	16" OC EDGES

**TABLE S601.4 - BUILDING ENVELOPE REQUIREMENTS**

ROOFS	OPAQUE ELEMENTS	ASSEMBLY MAXIMUM	INSULATION MIN. R-VALUE
	METAL BUILDING	U-0.065	R-19
WALLS, ABOVE GRADE	METAL BUILDING	U-0.151	R-5.7 c.i.
	WOOD-FRAMED	U-0.113	R-19.0
FLOORS	WOOD-FRAMED AND OTHER	U-0.089	R-19.0
	MASS	U-0.107	R6-3 c.i.
	STEEL JOIST	U-0.052	R-19.0
SLAB-ON-GRADE	UN-HEATED	F-0.150	NR
	OPAKE DOORS	SWINGING	U-0.700 NR
	NON-SWINGING	U-1.450 NR	

**METAL ROOF APPLICATION & FASTENING NOTES**

1. INSTALL 26 GAUGE METAL ROOF PER MANUFACTURER'S RECOMMENDATIONS FOR 140 MPH WIND SPEED.

**GENERAL UPLIFT CONNECTION NOTES**

**ROOF ASSEMBLY TO WALL ASSEMBLY:** UPLIFT CONNECTIONS SHALL BE FROM RAFTER OR TRUSS TO WALL STUD. WHEN RAFTERS OR TRUSSES ARE NOT LOCATED DIRECTLY ABOVE STUDS, RAFTERS SHALL BE ATTACHED TO THE WALL PLATE AND THE WALL TOP PLATE SHALL BE ATTACHED TO THE WALL STUD WITH UPLIFT CONNECTIONS. UPLIFT CONNECTIONS SHALL BE IN ACCORDANCE WITH TABLE S601.10.

**WALL ASSEMBLY TO WALL ASSEMBLY:** STORY TO STORY UPLIFT CONNECTIONS FROM UPPER STORY WALL STUD TO LOWER STORY WALL STUD. WHEN UPPER STORY WALL STUDS ARE NOT LOCATED DIRECTLY ABOVE LOWER WALL STUDS, THE STUDS SHALL BE ATTACHED TO A COMMON MEMBER IN THE LOWER FLOOR ASSEMBLY BY UPLIFT CONNECTIONS. UPLIFT CONNECTIONS SHALL BE IN ACCORDANCE WITH TABLE S601.11.

**WALL ASSEMBLY TO FOUNDATION:** FIRST FLOOR WALL STUDS SHALL BE CONNECTED TO THE FOUNDATION, SILL PLATE, OR BOTTOM PLATE. A MINIMUM OF A 1-1/4" X 20 GA. ASTM A653 GRADE 33 STEEL STRAP SHALL BE NAILED TO THE WALL STUD. WALL STUDS HAVE A MINIMUM EMBEDMENT OF 1 INCHES IN CONCRETE FOUNDATIONS AND SLABS-ON-GRADE, 15 INCHES IN MASONRY BLOCK FOUNDATIONS, OR BE LAPPED UNDER THE BOTTOM PLATE, 3 INCH SQUARE WASHERS SHALL BE USED ON THE ANCHOR BOLTS AND ANCHOR BOLT SPACINGS SHALL NOT EXCEED THE REQUIREMENTS. STEEL STRAPS EMBEDDED IN OR IN CONTACT WITH SLAB-ON-GRADE OR MASONRY BLOCK FOUNDATIONS SHALL BE HOT-DIPPED GALV. AFTER FABRICATION, OR MANUF. FROM G105 OR 2450 GALV. STL. CONNECTIONS SHALL BE IN ACCORDANCE WITH TABLE S601.12.

**TABLE S601.1 - ROOF SHEATHING ATTACHMENT REQUIREMENT - WIND LOAD EXP "C"**

SHEATHING LOCATION	RAFTER / TRUSS SPACING	MAX NAIL SPACING FOR 8d COMMON NAILS OR 10d BOX NAILS (INCHES OC)	
		E	F
INTERIOR ZONE	12" OC	6	12
	16" OC	6	12
	24" OC	6	12
PERIMETER EDGE ZONE	12" OC	6	6
	24" OC	4	4

130 MPH WIND - EXPOSURE "C" TYPICAL  
E = NAIL SPACING AT PANEL EDGES, INCHES.  
F = NAIL SPACING AT INTERMEDIATE SUPPORTS IN THE PANEL FIELD, INCHES.

**TABLE S601.1 - WALL SHEATHING AND CLADDING REQUIREMENT - WIND LOAD EXP "C"**

SHEATHING LOCATION	RAFTER / TRUSS SPACING	MAX NAIL SPACING FOR 8d COMMON NAILS OR 10d BOX NAILS (INCHES OC)	
		E	F
INTERIOR ZONE	12" OC	6	12
	16" OC	6	12
	24" OC	6	6
PERIMETER EDGE ZONE	12" OC	6	12
	16" OC	6	12

130 MPH WIND - EXPOSURE "C" TYPICAL  
E = NAIL SPACING AT PANEL EDGES, INCHES.  
F = NAIL SPACING AT INTERMEDIATE SUPPORTS IN THE PANEL FIELD, INCHES.

**DAMMON ENGINEERING, INC.**  
LOUISIANA & MISSISSIPPI

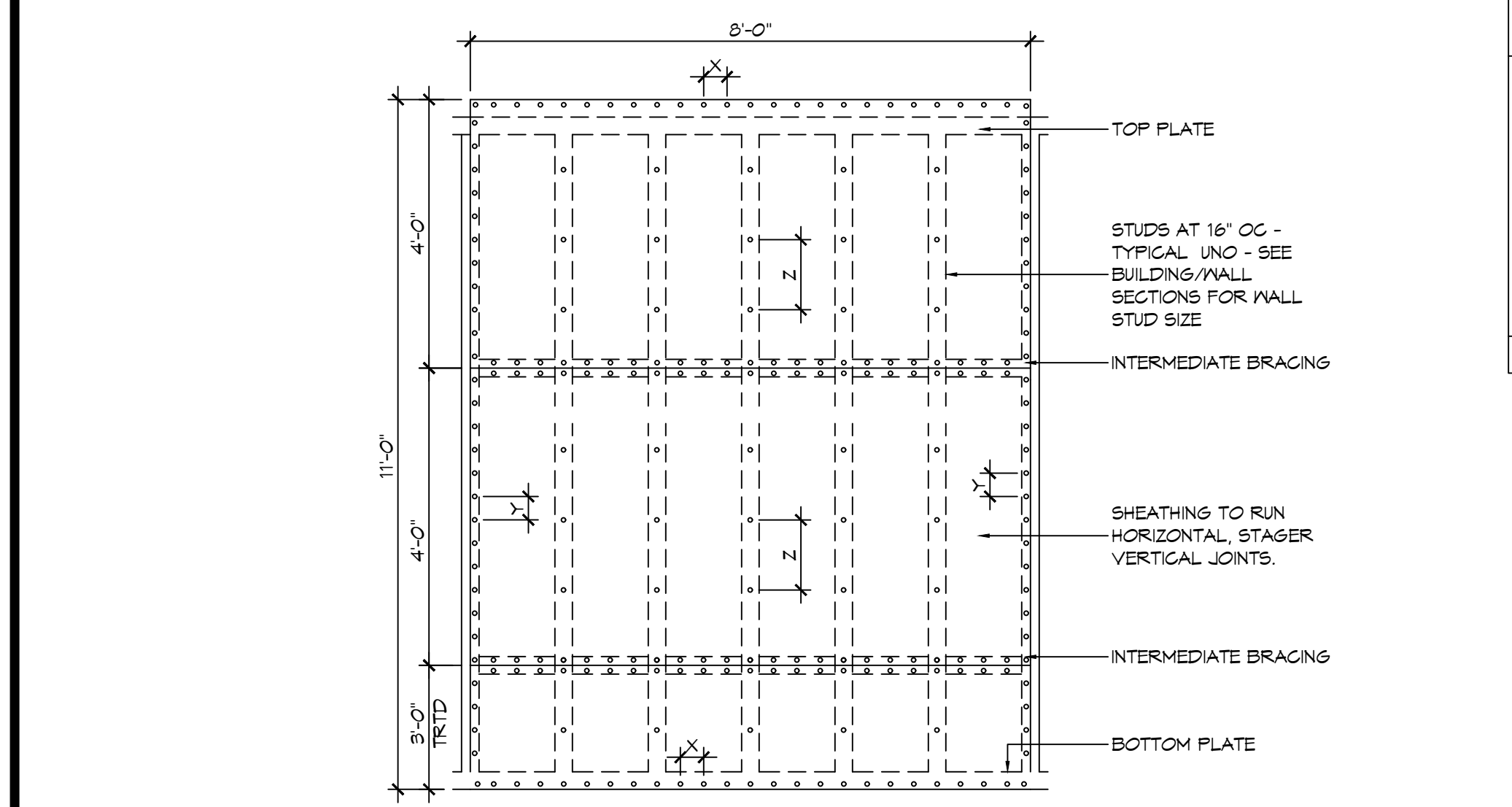
Chief Engineer: Brian M. Misch  
554 Old Spanish Trail  
Slidell, LA 70458  
www.dammonengineering.com  
info@dammonengineering.com  
PH: 985-649-5832

STATE OF LOUISIANA  
BRIAN A. MISTICH  
Professional Engineer  
License No. 30181

SCHOOL BUILDING  
PUSH POOL HIGH JUMP

DATE: 06-25-2024  
JOB No: 1501 JAGUAR DRIVE SLIDELL, LA 70461  
DRAWN BY: CKD  
CHECKED BY: BAK

SHEET TITLE: TYPICAL CONNECTION DETAILS, SCHEDULES, AND NOTES  
DRAWING NUMBER: S102  
SHEET No: 5 of 9

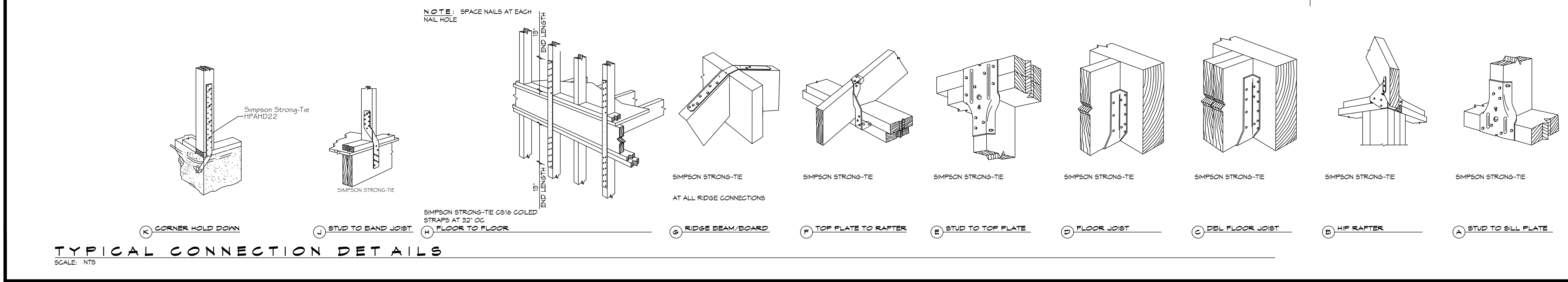
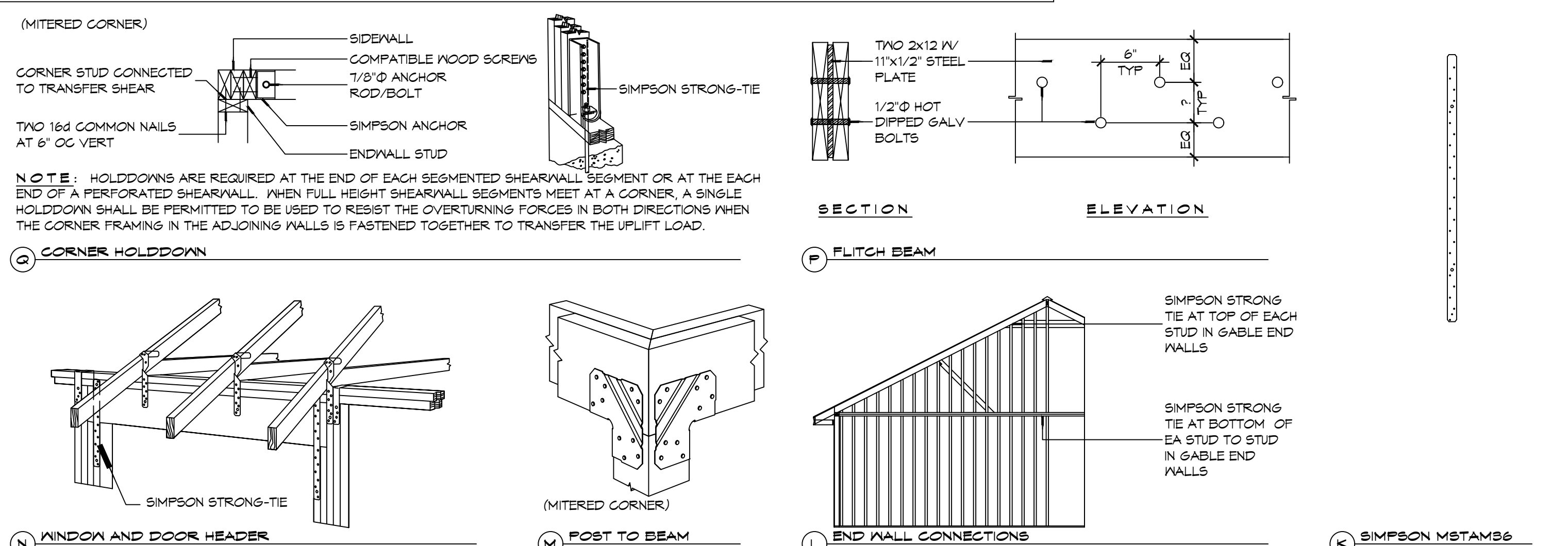


**NAIL SPACING**  
X = 4" OC  
Y = 4" OC  
Z = 12" OC

X = PLATE EDGE NAIL SPACING  
Y = LONG EDGE NAIL SPACING  
Z = FIELD NAIL SPACING

**INTERIOR SHEATHING**  
1/2" PLYWOOD EACH FACE STAGGERED 48" OC. W/8d NAILS @ 4" OC FASTENING @ PANEL EDGES 8d NAILS @ 12" OC FASTENING @ INTERMEDIATE MEMBERS.

**EXTERIOR SHEATHING**  
5/8" PLYWOOD EACH FACE STAGGERED 48" OC. W/8d NAILS @ 4" OC FASTENING @ PANEL EDGES 8d NAILS @ 12" OC FASTENING @ INTERMEDIATE MEMBERS.



**TYPICAL CONNECTION DETAILS**  
SCALE: NTS