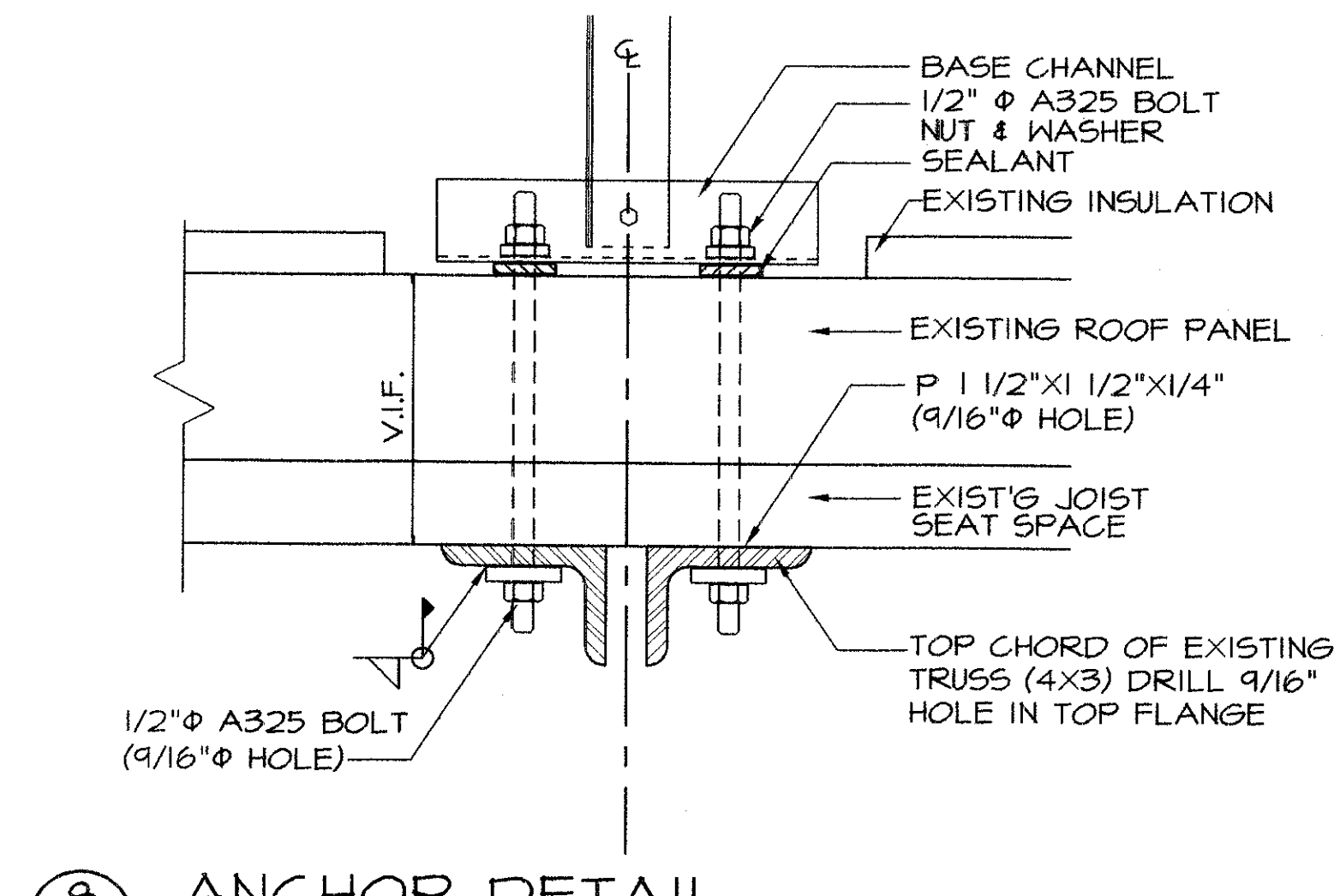
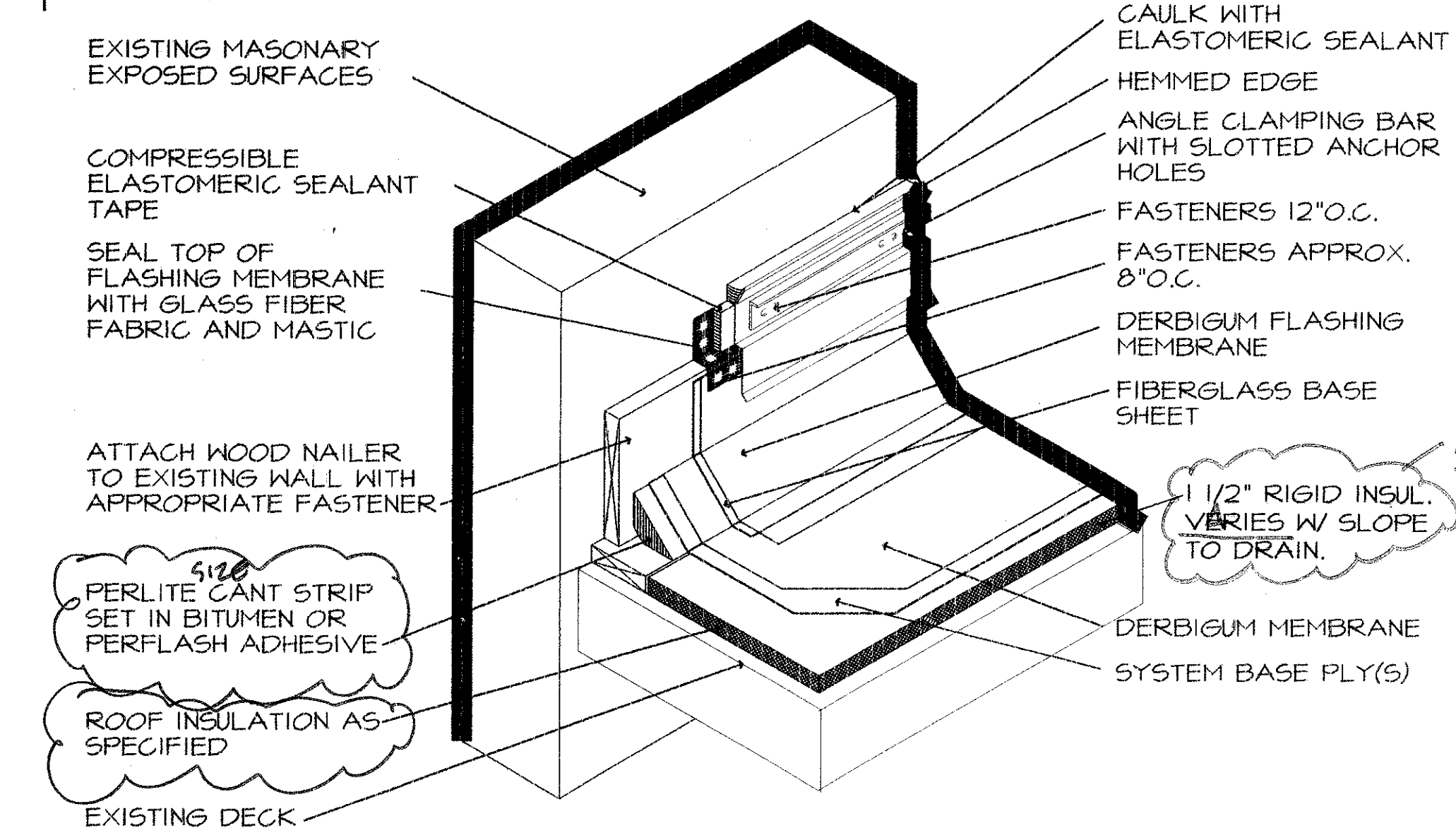


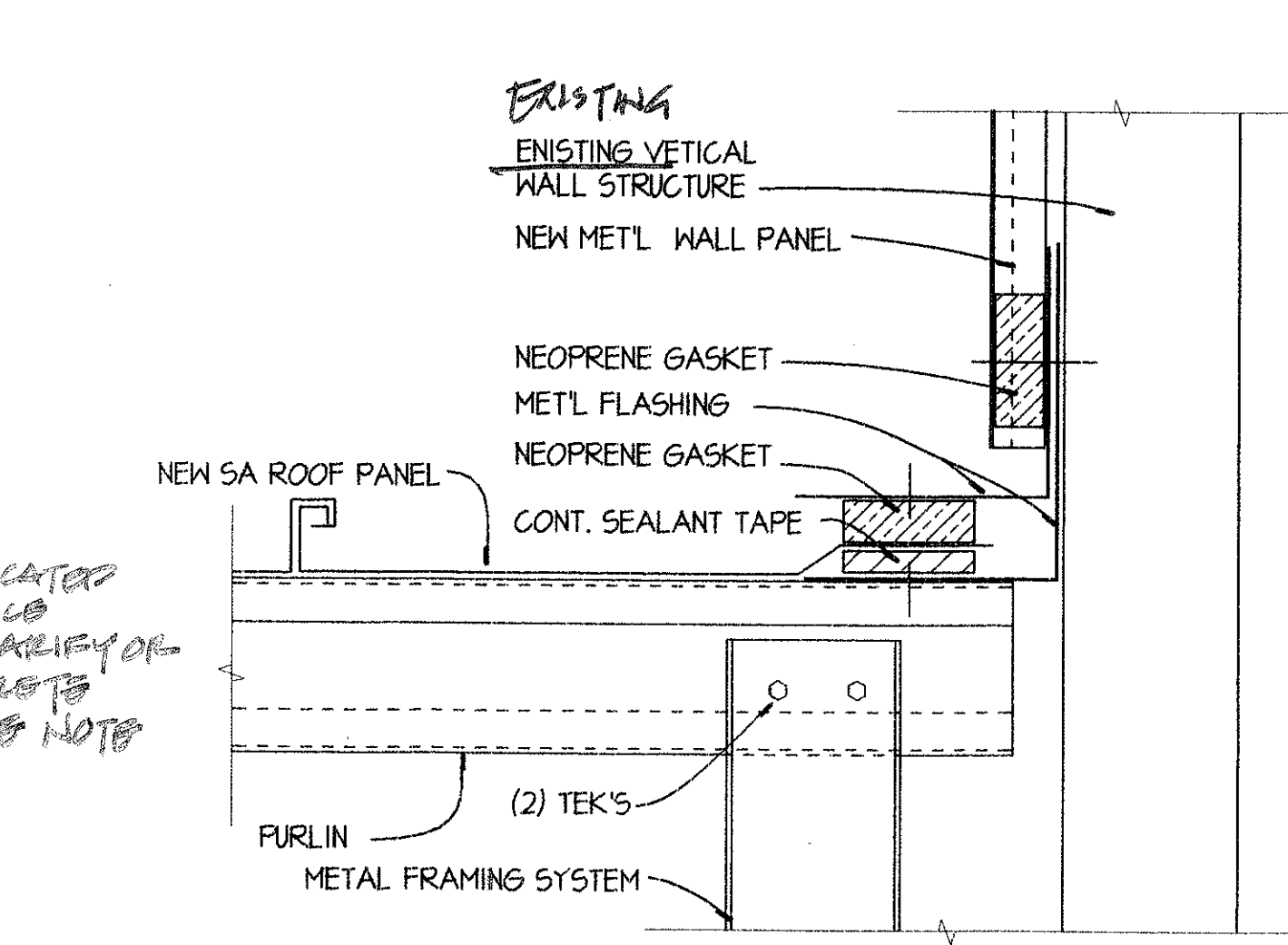
7 ANCHOR DETAIL
-A-11 3"=1'-0"



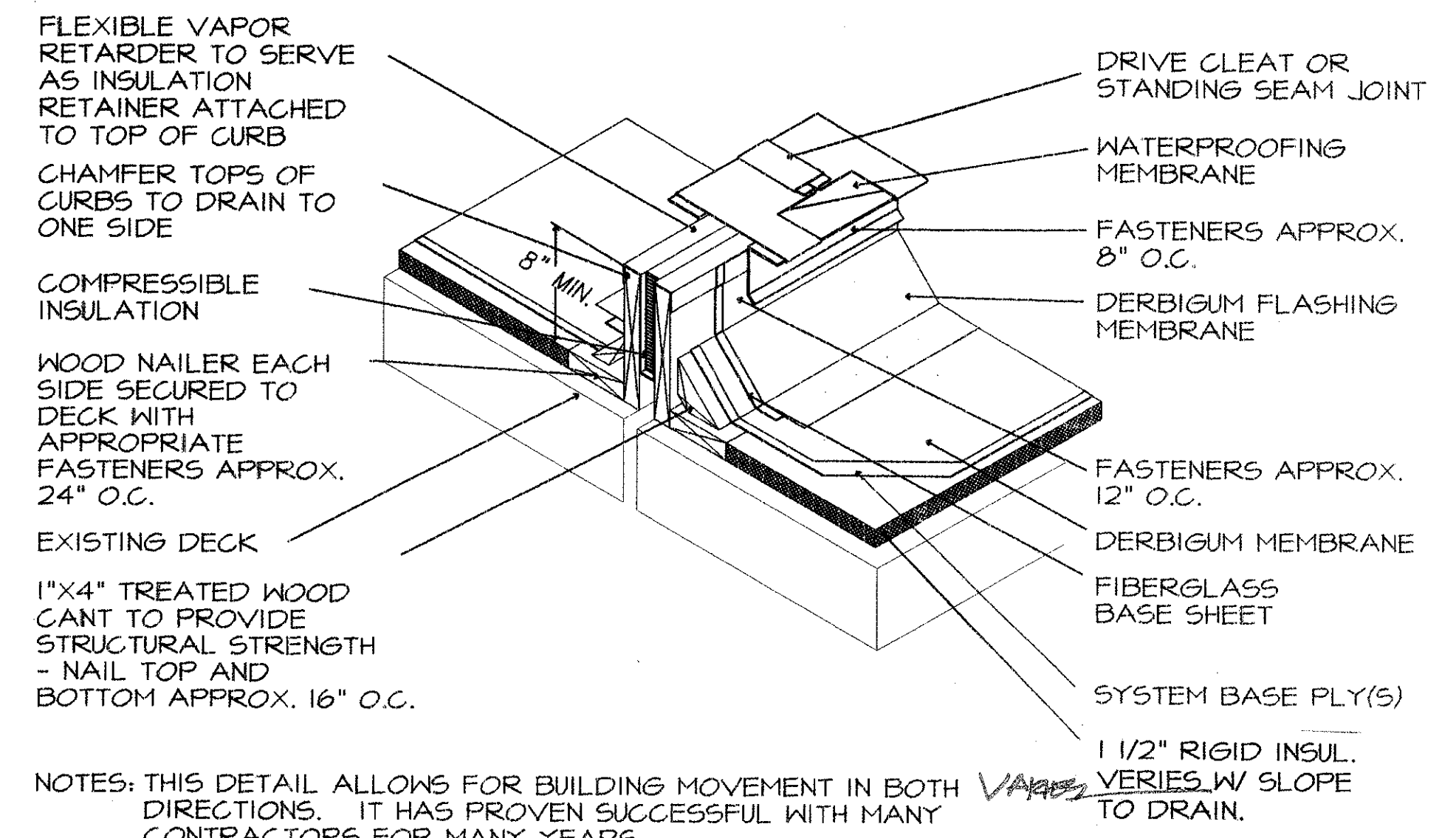
8 ANCHOR DETAIL
-A-11 3"=1'-0"



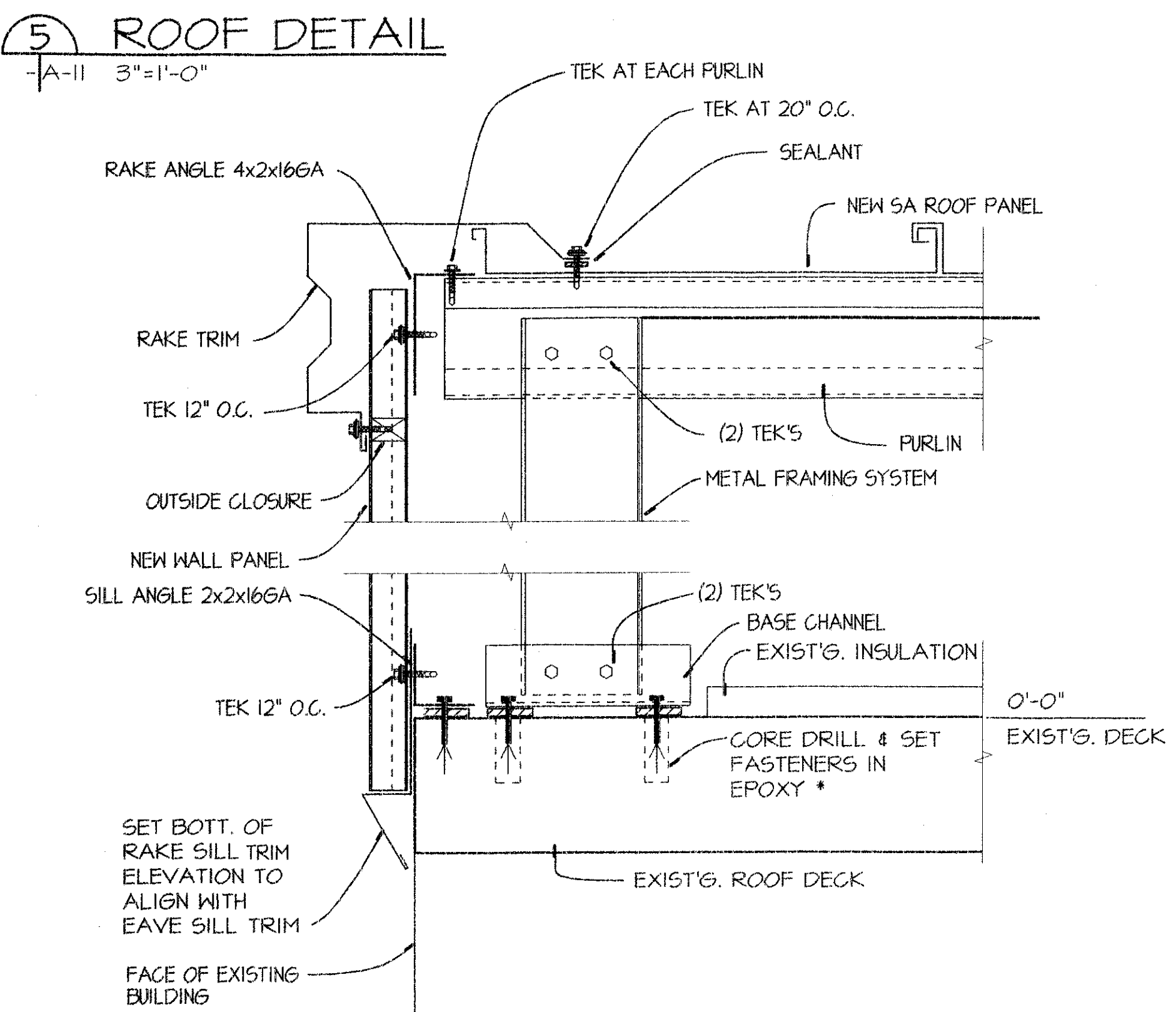
5 ROOF RAKE SECTION
-A-11 3"=1'-0" TYP. RAKE - BLDGS. A1,A2,B1,B2,C2 & D



4 ROOF DETAIL
-A-11 3"=1'-0"

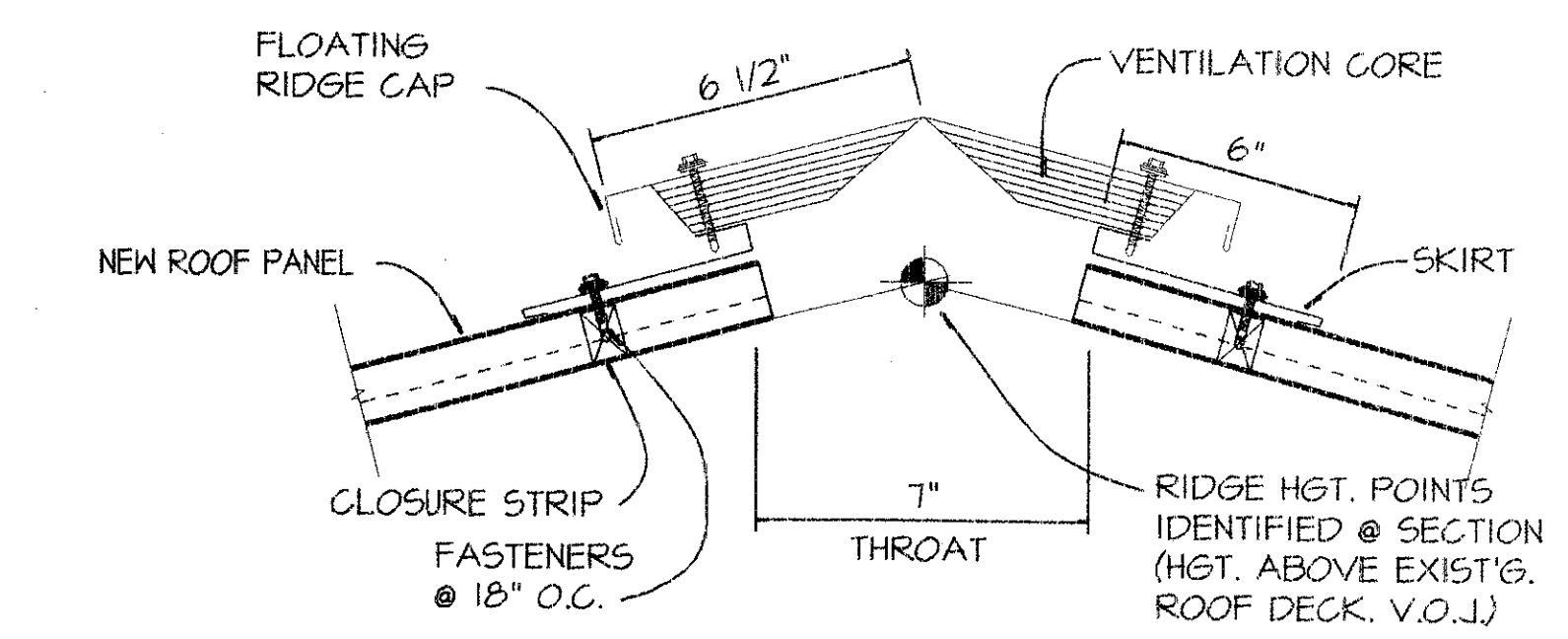


6 EXPANSION JOINT DETAIL @ WALKWAYS
-A-11 3"=1'-0" (TYP. ABUTTING BUILDINGS)



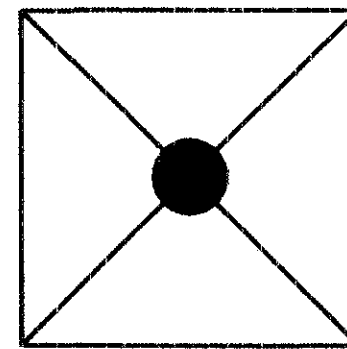
2 TYPICAL ROOF FRAMING DETAIL
-A-11 3"=1'-0"

* ROOFING DETAILS DRAWN AS PER UNITED STRUCTURES OF AMERICA RETRO ROOF SYSTEM OR EQUAL.



3 TYPICAL ROOF CONTINUOUS RIDGE VENT
-A-11 3"=1'-0"

NOTE : ALL ROOF SYSTEM ANCHORS TO EXIST'G. DECK MATERIALS MUST BE SUBMITTED FOR APPROVAL IN SAMPLE FORM, ACTUAL STYLE, WITH SUPPORTING ALLOY INFORMATION AND FULL-OUT DATA FOR EACH ANCHOR TYPE FOR EACH EXIST'G. DECK MATERIAL TO RELIEVE SUCH ANCHORS.
CONTRACTOR SHALL EXPOSE ALL EXIST'G. DECK AREAS TO RECEIVE ROOF SYSTEM ANCHORS FOR INSPECTION OF DECK CONDITION BY THE ARCHITECT.
CONTRACTOR MUST SUBMIT DESIGN CALCULATION, INCLUDING POST REACTIONS ON PROPOSED ROOF SYSTEM TO DESIGNER FOR REVIEW AND APPROVAL PRIOR TO FABRICATION. THIS IS NECESSARY TO VERIFY ADEQUACY OF ATTACHMENT DETAILS.



BYRON J. STEWART & ASSOC.
ARCHITECTS & PLANNERS
2900 MARENGO ST.
NEW ORLEANS, LA 70115
(504) 877-5339

NEW ORLEANS PARISH
SCHOOL BOARD
4300 ALMONASTER AVE
NEW ORLEANS, LA

CARTER G. WOODSON JUN. HIGH SCHOOL
RE-ROOFING
F.D.P. # 92034

JOB NUMBER: 4602
DATE: 4-21-97
DRAWN BY: H.A.
CHECKED BY: B.J.S.

REVISIONS		
NO.	DATE	REVISION

SHEET
A-11
OF SHEETS

c:\sds\proj\9602\8-11 Tue Feb 25 15:20:56 1997