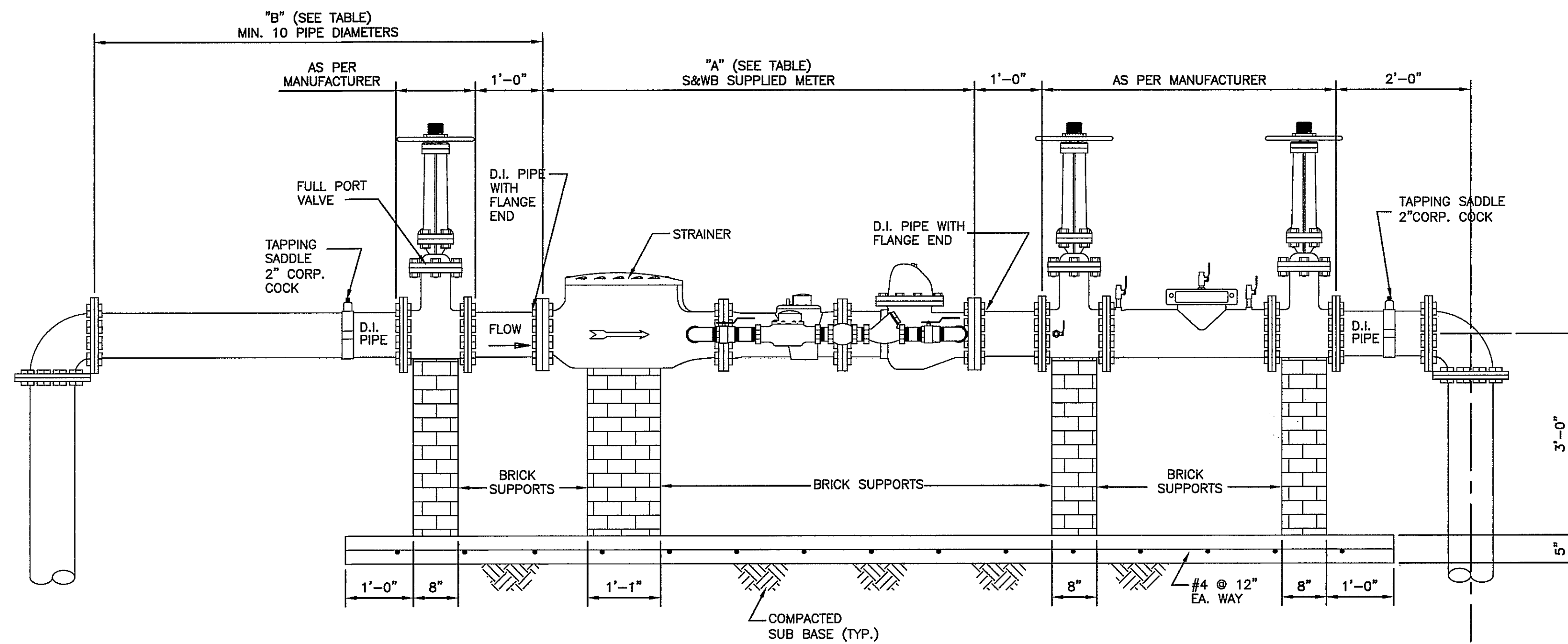


PLAN VIEW
SCALE: 3/4" = 1'-0"

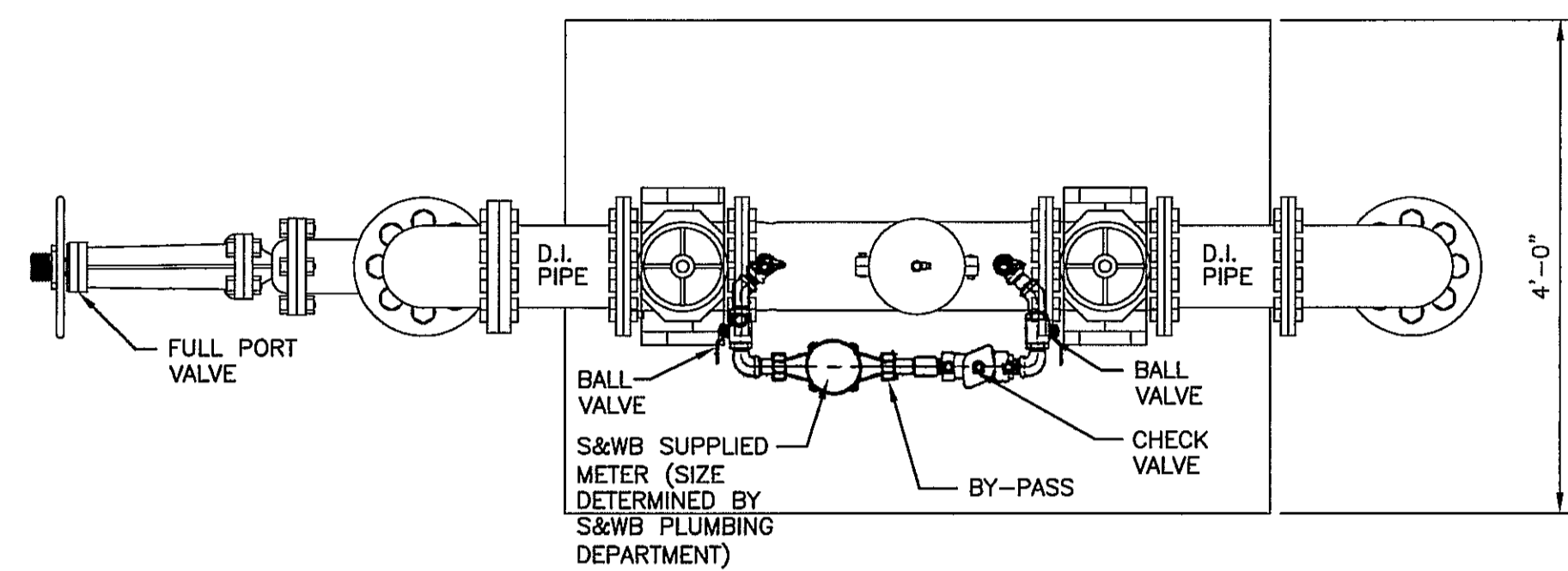


LONGITUDINAL SECTION
SCALE: 3/4" = 1'-0"

- NOTES:
1. THE METER SHALL BE INSTALLED AS RECEIVED FROM THE S&WB METER DEPARTMENT AND MAY NOT BE MODIFIED IN ANY MANNER.
 2. THE METER LOCATION SHALL NOT EXCEED 15' INSIDE THE PROPERTY LINE.

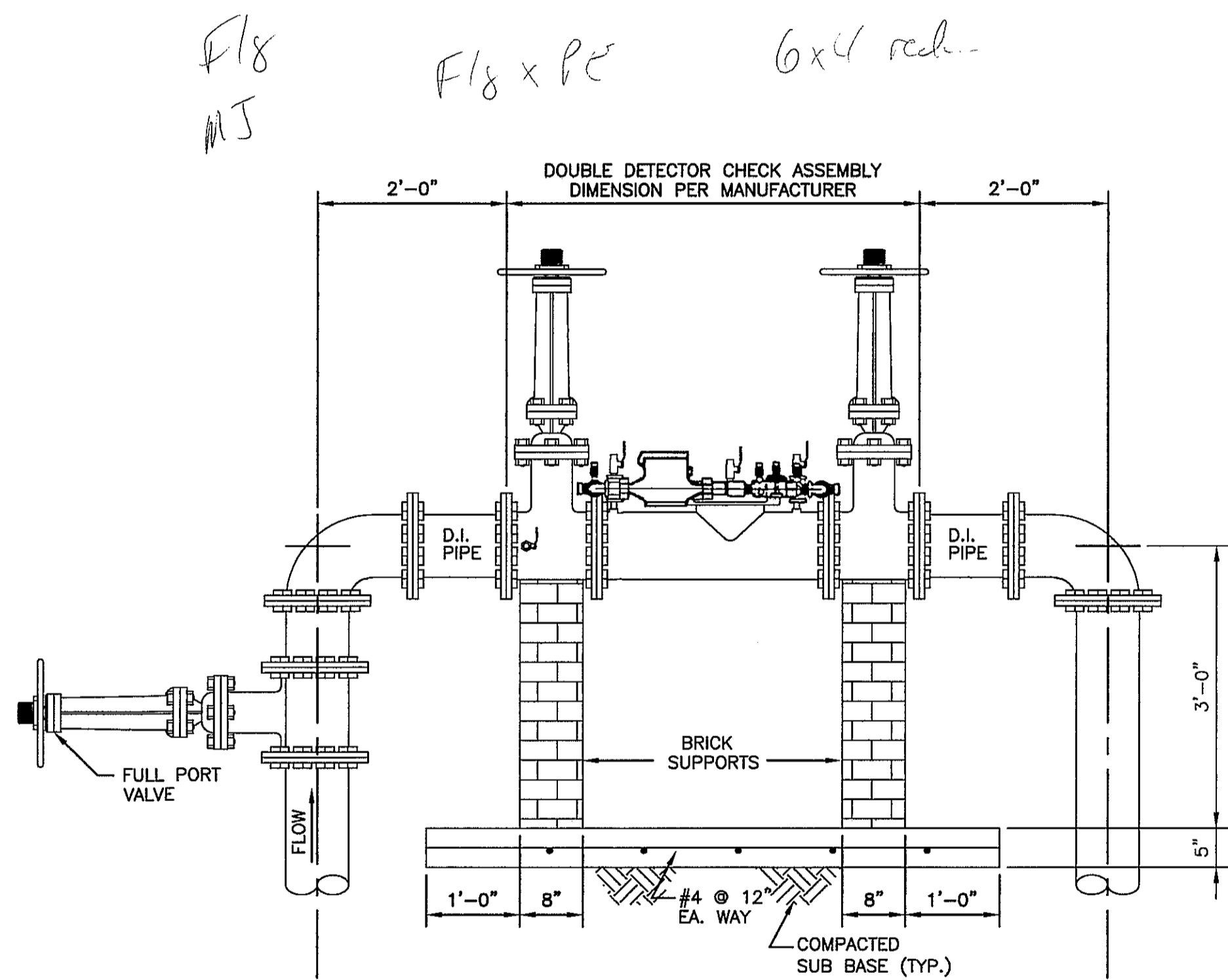
S&WB SUPPLIED TURBO METER	"A" DIMENSION IN INCHES	"B" DIMENSION IN INCHES
4"	52"	40"
6"	68"	60"
8"	77"	80"
10"	99"	100"

REV.	DATE	DESCRIPTION	BY
SEWERAGE AND WATER BOARD OF NEW ORLEANS			
FIRE AND DOMESTIC			
ABOVE GROUND ASSEMBLY DETAIL			
DR.	D. McCRAY		
TRC.			
CK.	B. JONES	GENERAL SUPERINTENDENT	
AP.	J. ARNOLD		
SCALE.	AS NOTED	DWG. NO. 8353-W1	
DATE.	02-19-09	SET NO.	SHEET NO.



PLAN VIEW

SCALE: 3/4" = 1'-0"

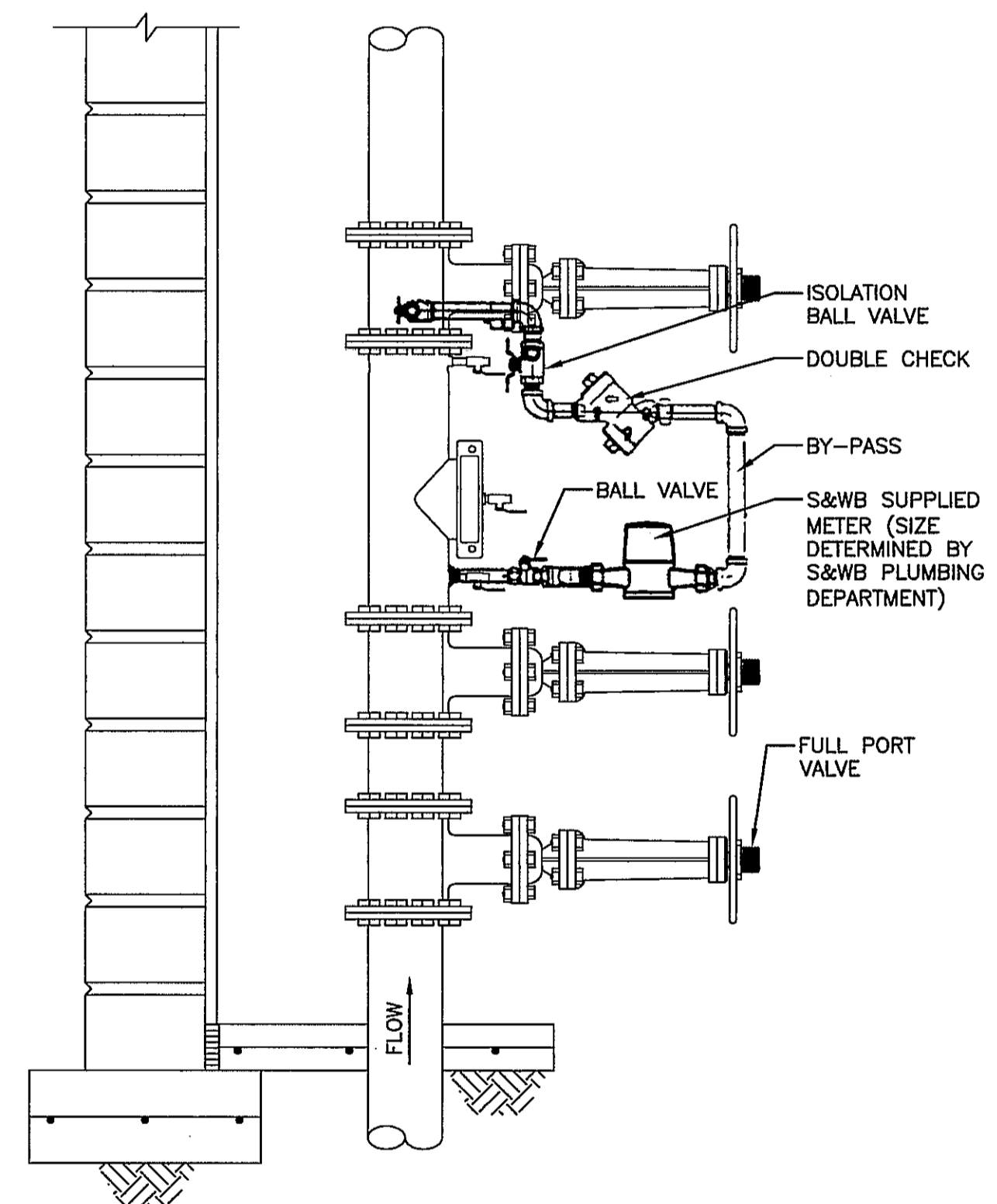


DOUBLE DETECTOR CHECK ASSEMBLY
BACKFLOW PREVENTER DETAIL
HORIZONTAL INSTALLATION

SCALE: 3/4" = 1'-0"

NOTES:

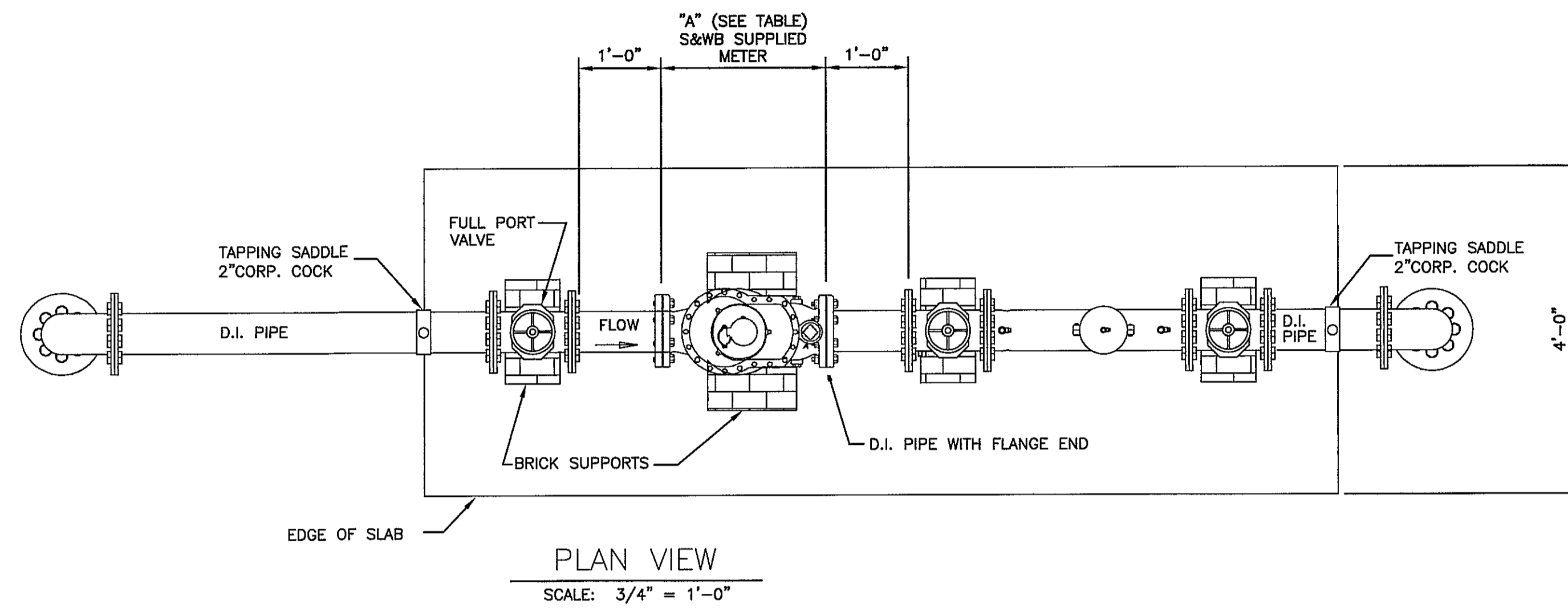
1. THE METER SHALL BE INSTALLED AS RECEIVED FROM THE S&WB METER DEPARTMENT AND MAY NOT BE MODIFIED IN ANY MANNER.
2. THE METER LOCATION SHALL NOT EXCEED 15' INSIDE THE PROPERTY LINE.
3. DOMESTIC SERVICE CAN BE TAPPED BEFORE FULL PORT VALVE.



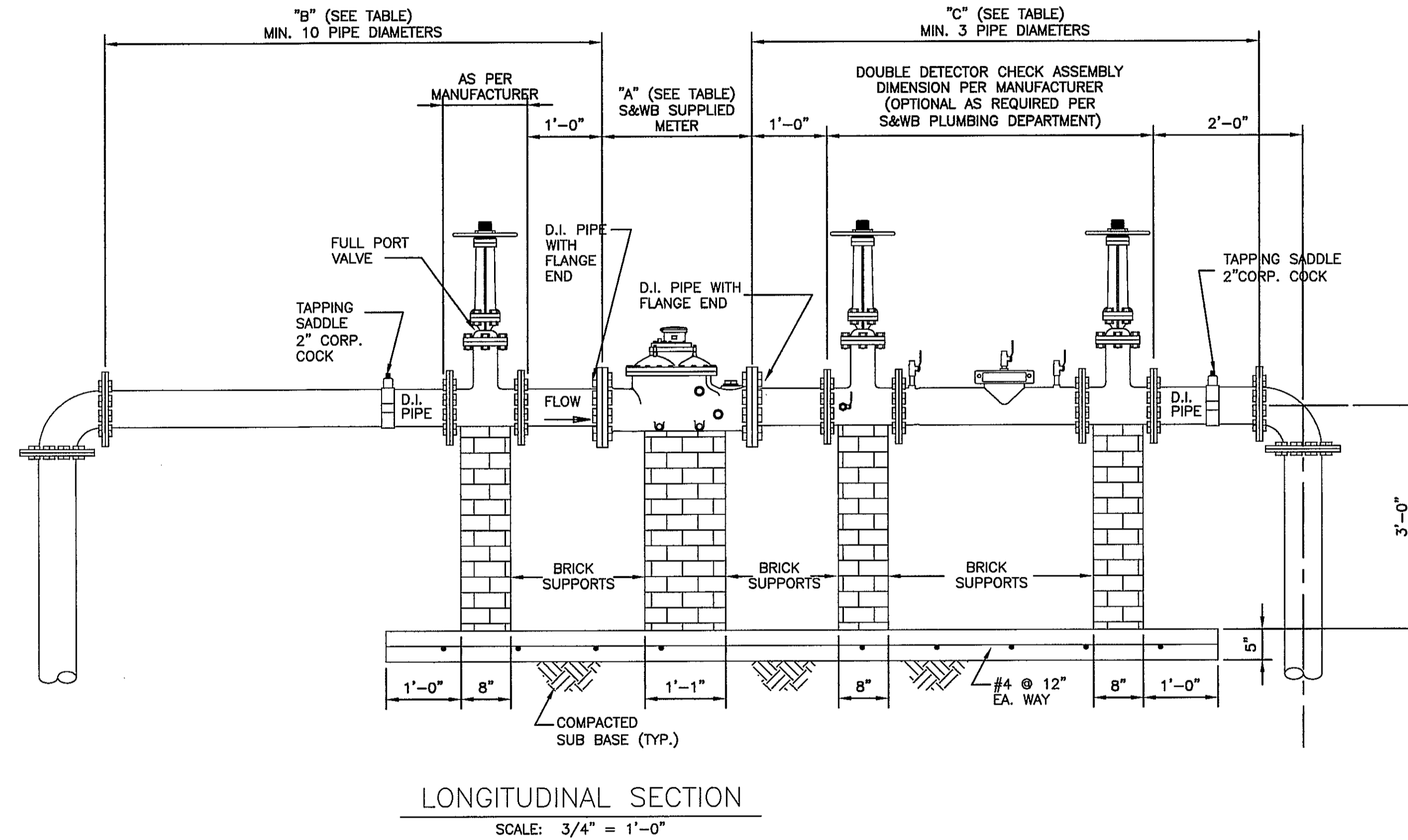
DOUBLE DETECTOR CHECK ASSEMBLY
BACKFLOW PREVENTER DETAIL
VERTICAL INSTALLATION

SCALE: 3/4" = 1'-0"

REV.	DATE	DESCRIPTION	BY
SEWERAGE AND WATER BOARD OF NEW ORLEANS			
FIRE ONLY			
ABOVE GROUND ASSEMBLY DETAIL			
DR.	D. McCRAY		
TRC.			
CK.	B. JONES	GENERAL SUPERINTENDENT	
AP.	J. ARNOLD		
SCALE.	AS NOTED	DWG. NO. 8353-W2	
DATE.	02-19-09	SET NO.	SHEET NO.



DOMESTIC ONLY			
S&WB SUPPLIED COMPOUND METER	"A" DIMENSION IN INCHES	"B" DIMENSION IN INCHES	"C" DIMENSION IN INCHES
4"	20"	40"	12"
6"	24"	60"	18"



- NOTES:
1. THE METER SHALL BE INSTALLED AS RECEIVED FROM THE S&WB METER DEPARTMENT AND MAY NOT BE MODIFIED IN ANY MANNER.
 2. THE METER LOCATION SHALL NOT EXCEED 15' INSIDE THE PROPERTY LINE.

REV.	DATE	DESCRIPTION	BY
SEWERAGE AND WATER BOARD OF NEW ORLEANS			
DOMESTIC ONLY			
ABOVE GROUND ASSEMBLY DETAIL			
DR.	D. McCRAY		
TRC.			
CK.	B. JONES	GENERAL SUPERINTENDENT	
AP.	J. ARNOLD		
SCALE.	AS NOTED	DWG. NO. 8353-W3	
DATE.	02-19-09	SET NO.	SHEET NO.