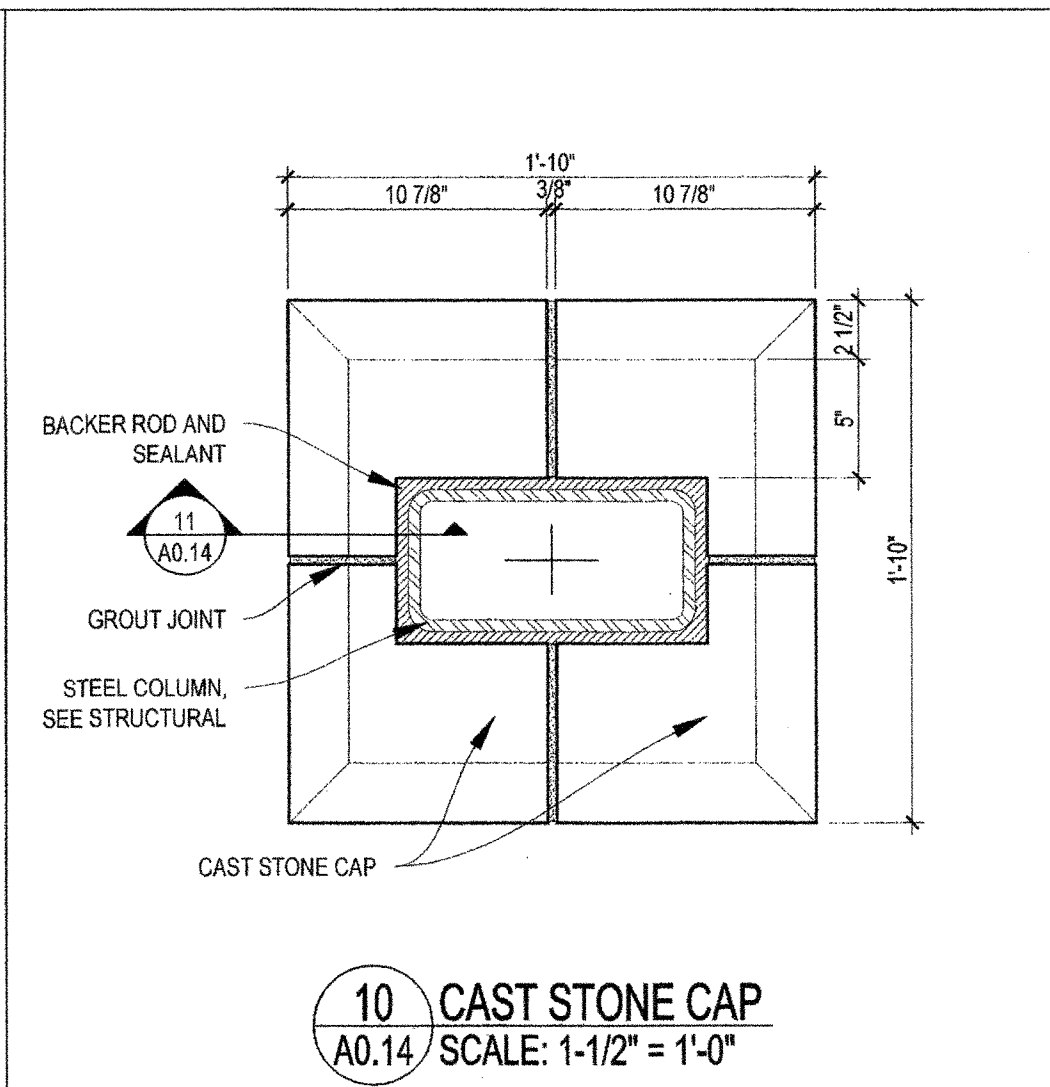
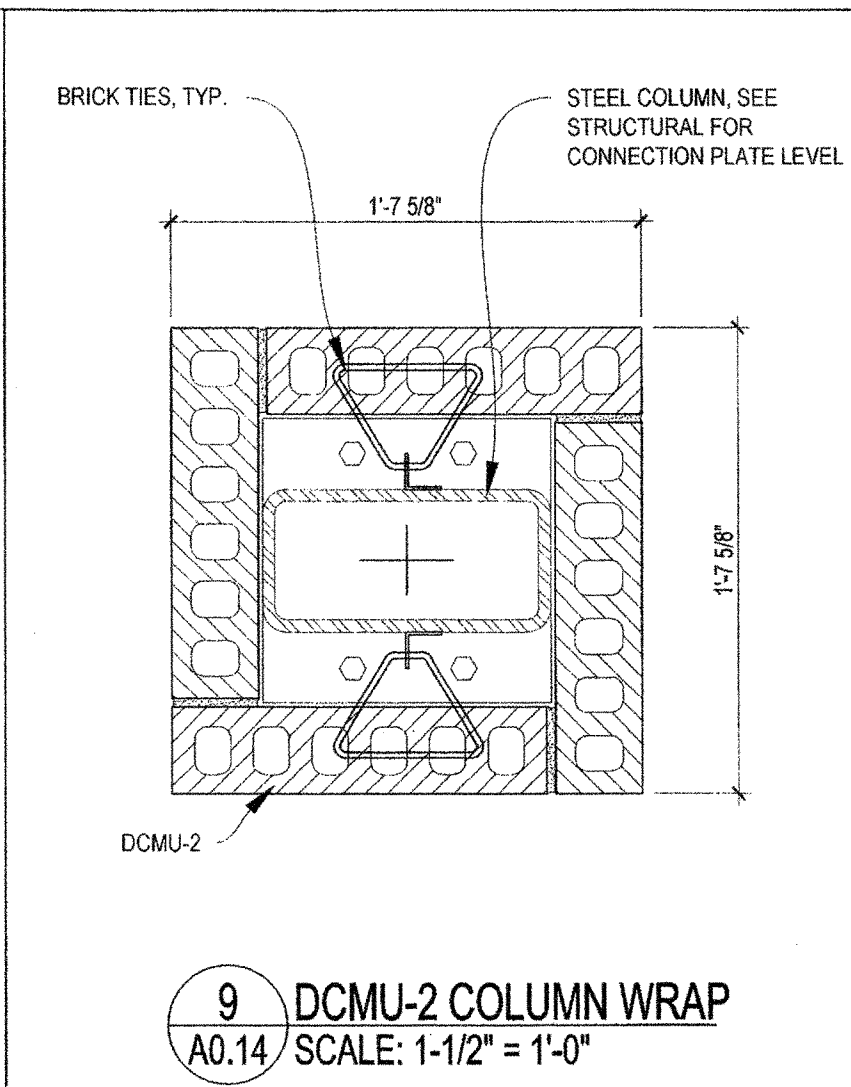


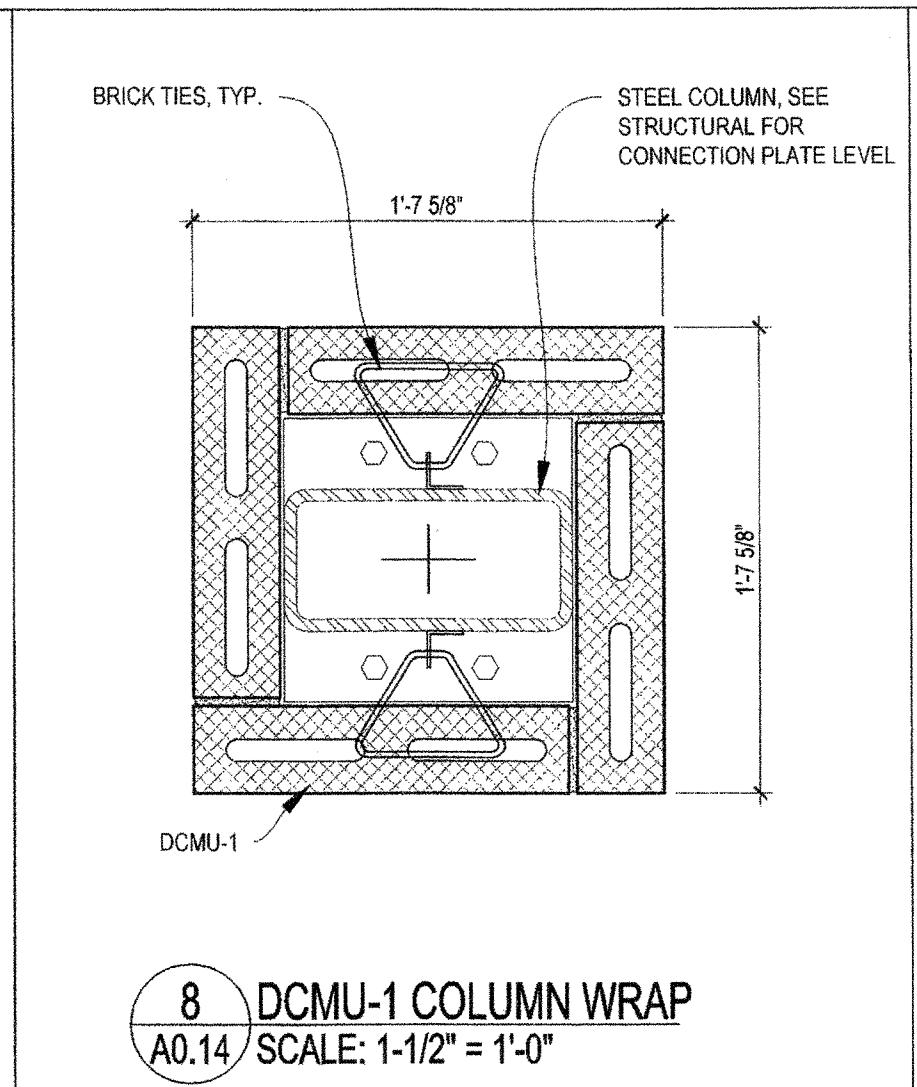
**11 CAST STONE CAP**  
A0.14 SCALE: 3" = 1'-0"



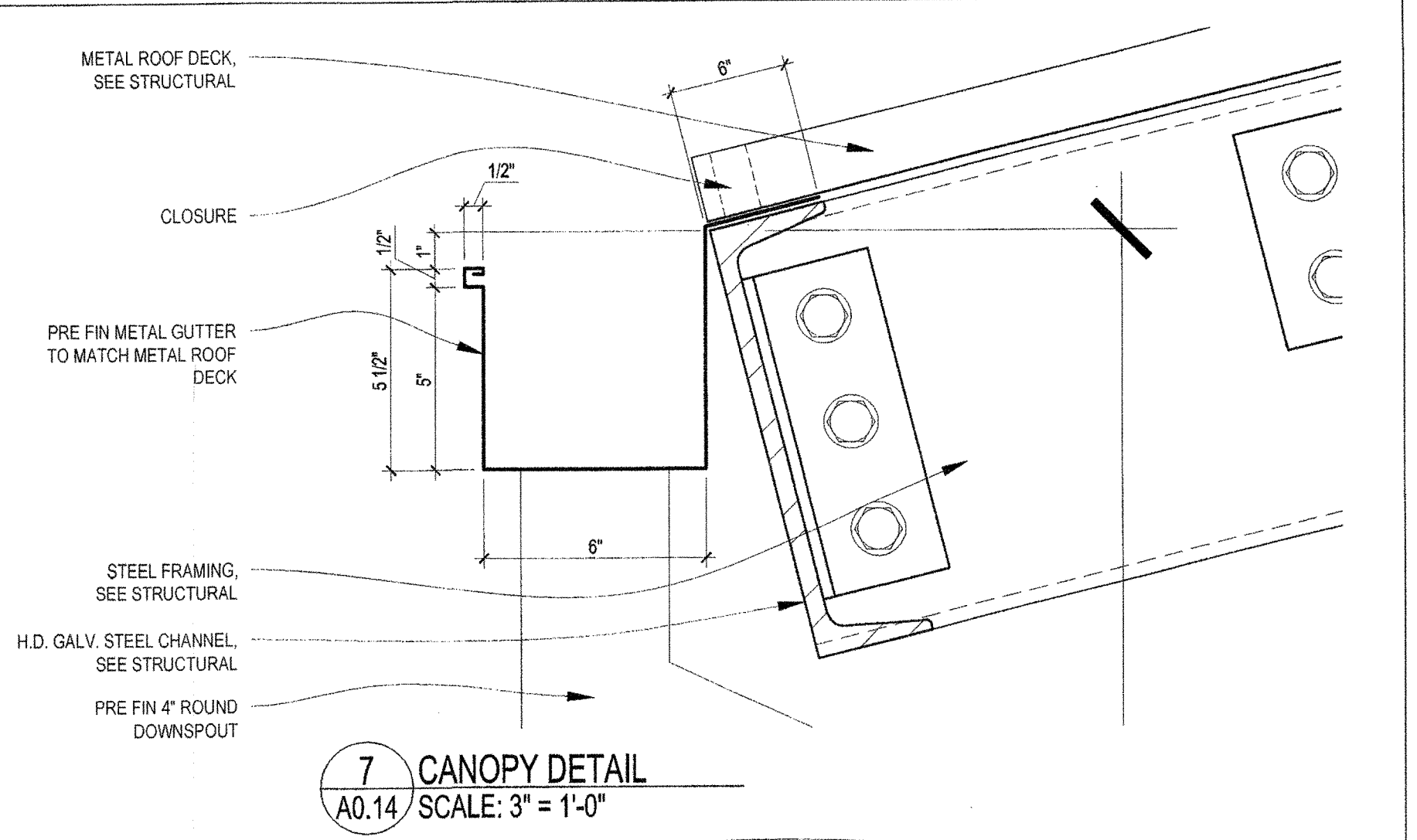
**10 CAST STONE CAP**  
A0.14 SCALE: 1-1/2" = 1'-0"



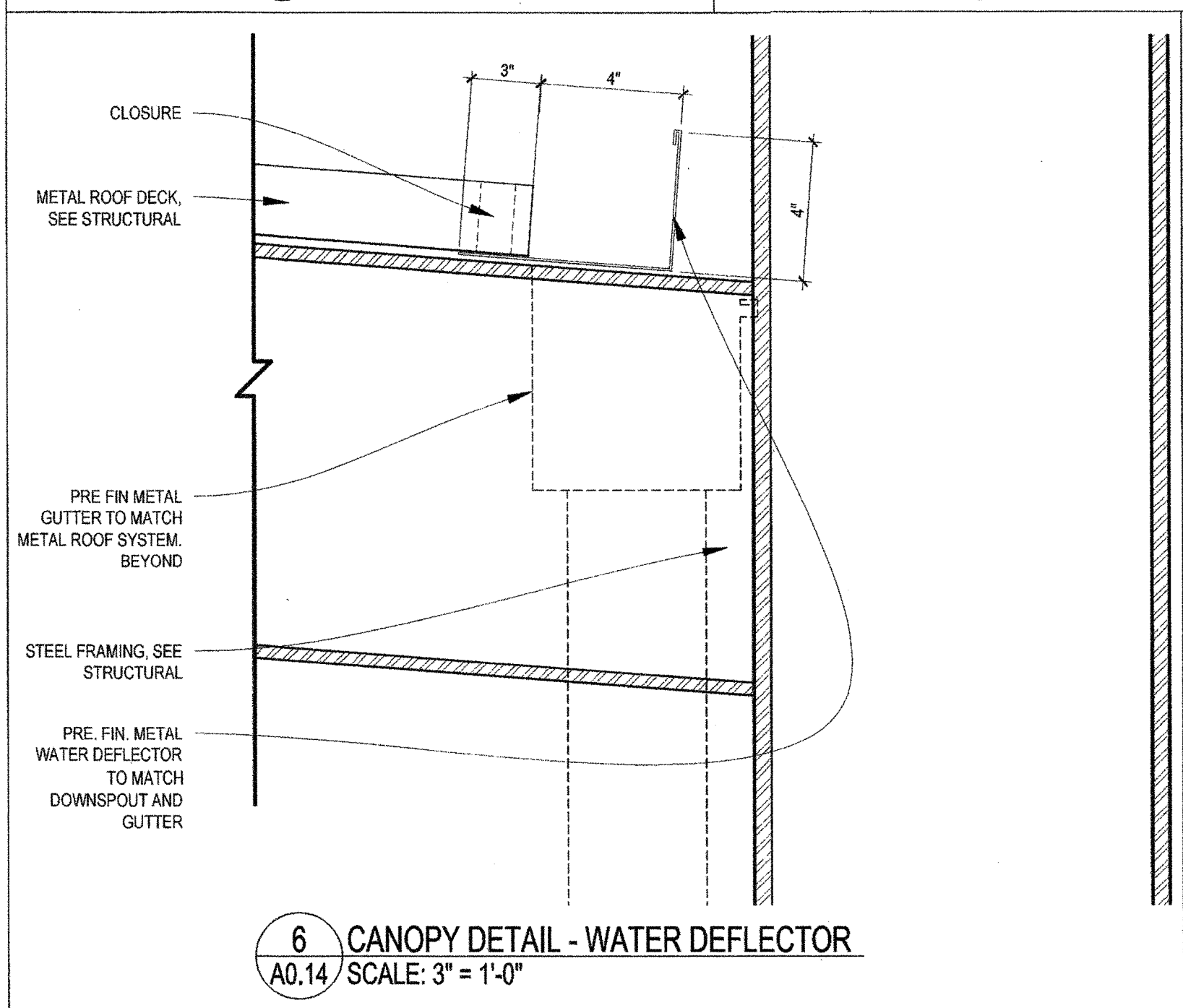
**9 DCMU-2 COLUMN WRAP**  
A0.14 SCALE: 1-1/2" = 1'-0"



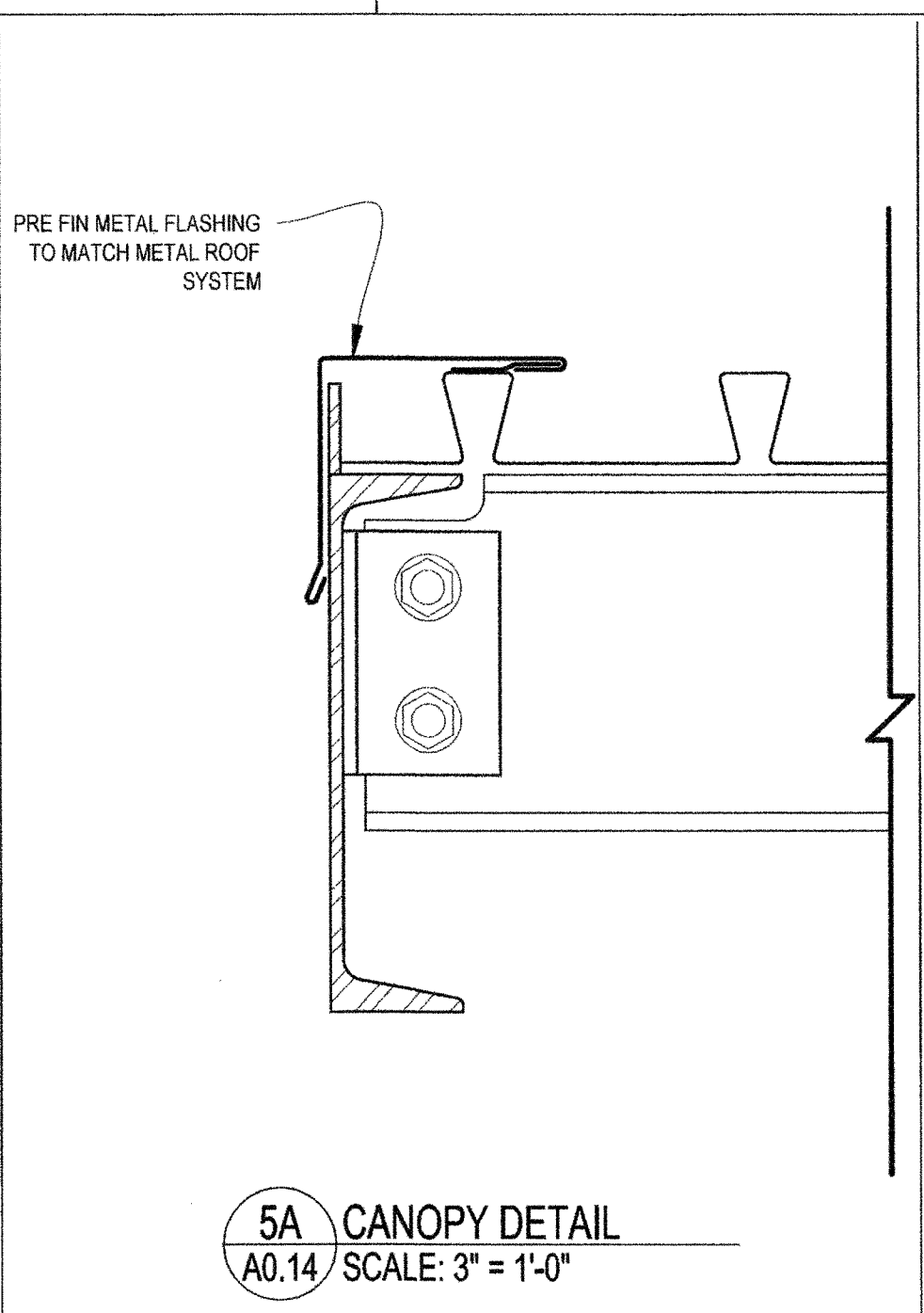
**8 DCMU-1 COLUMN WRAP**  
A0.14 SCALE: 1-1/2" = 1'-0"



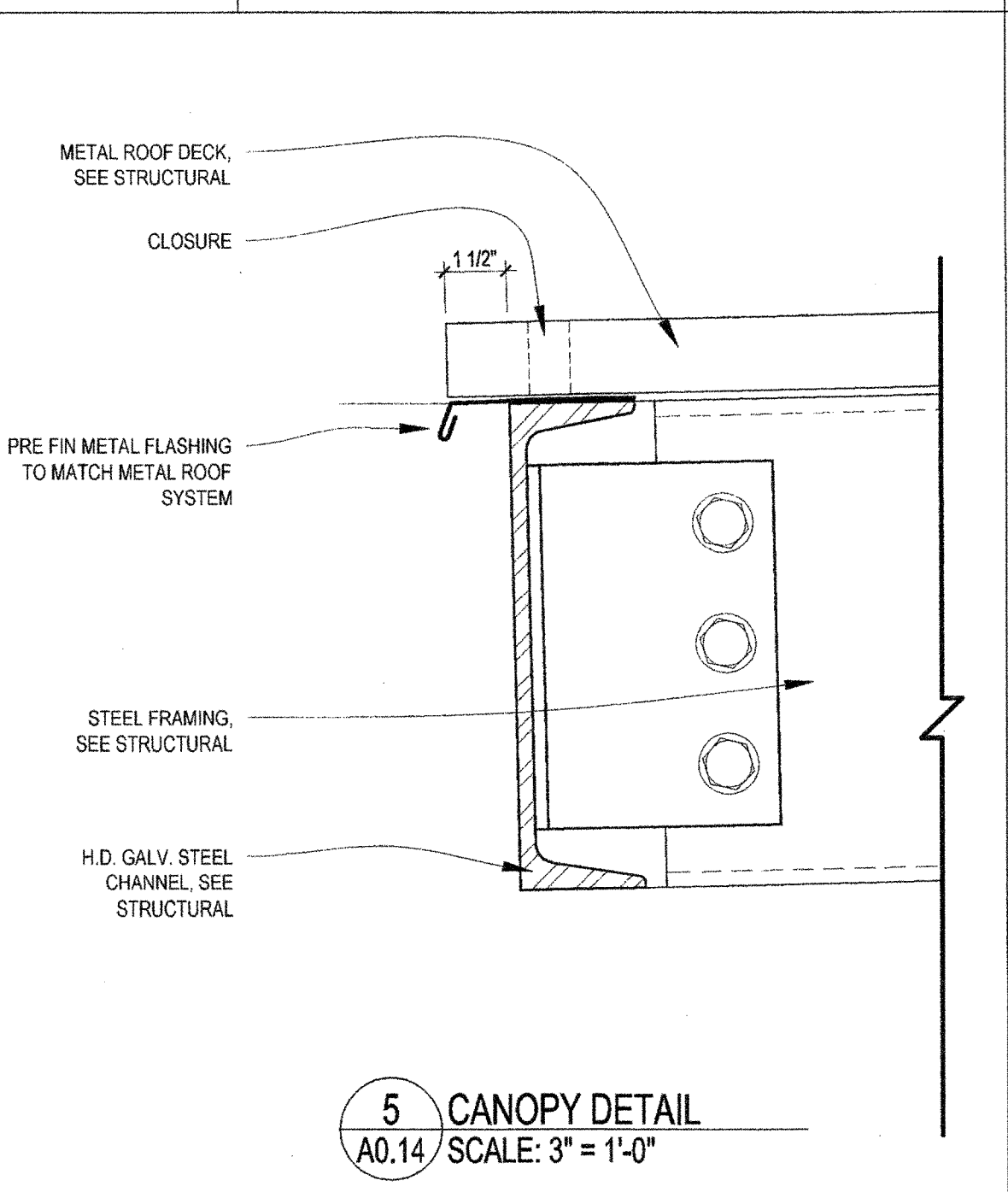
**7 CANOPY DETAIL**  
A0.14 SCALE: 3" = 1'-0"



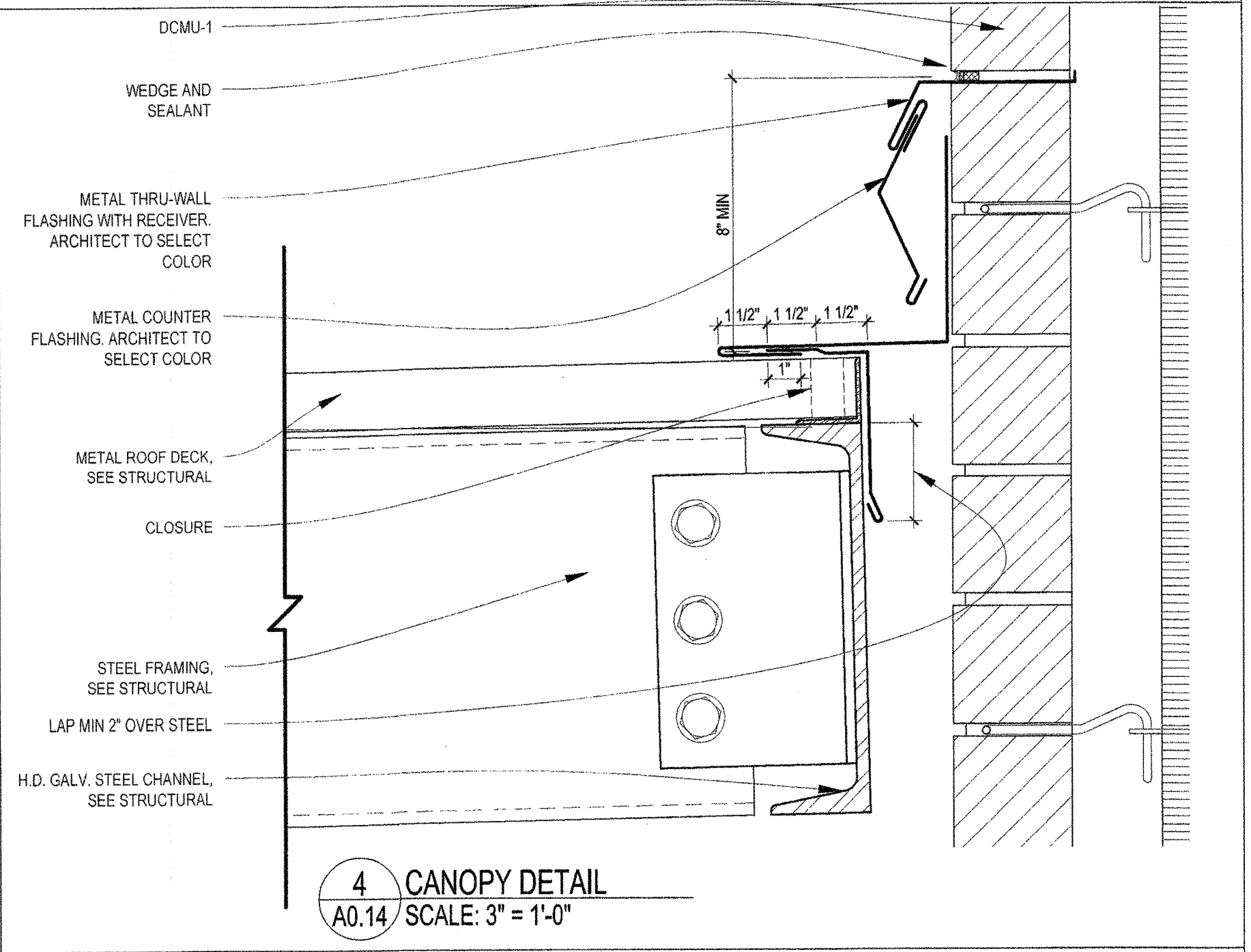
**6 CANOPY DETAIL - WATER DEFLECTOR**  
A0.14 SCALE: 3" = 1'-0"



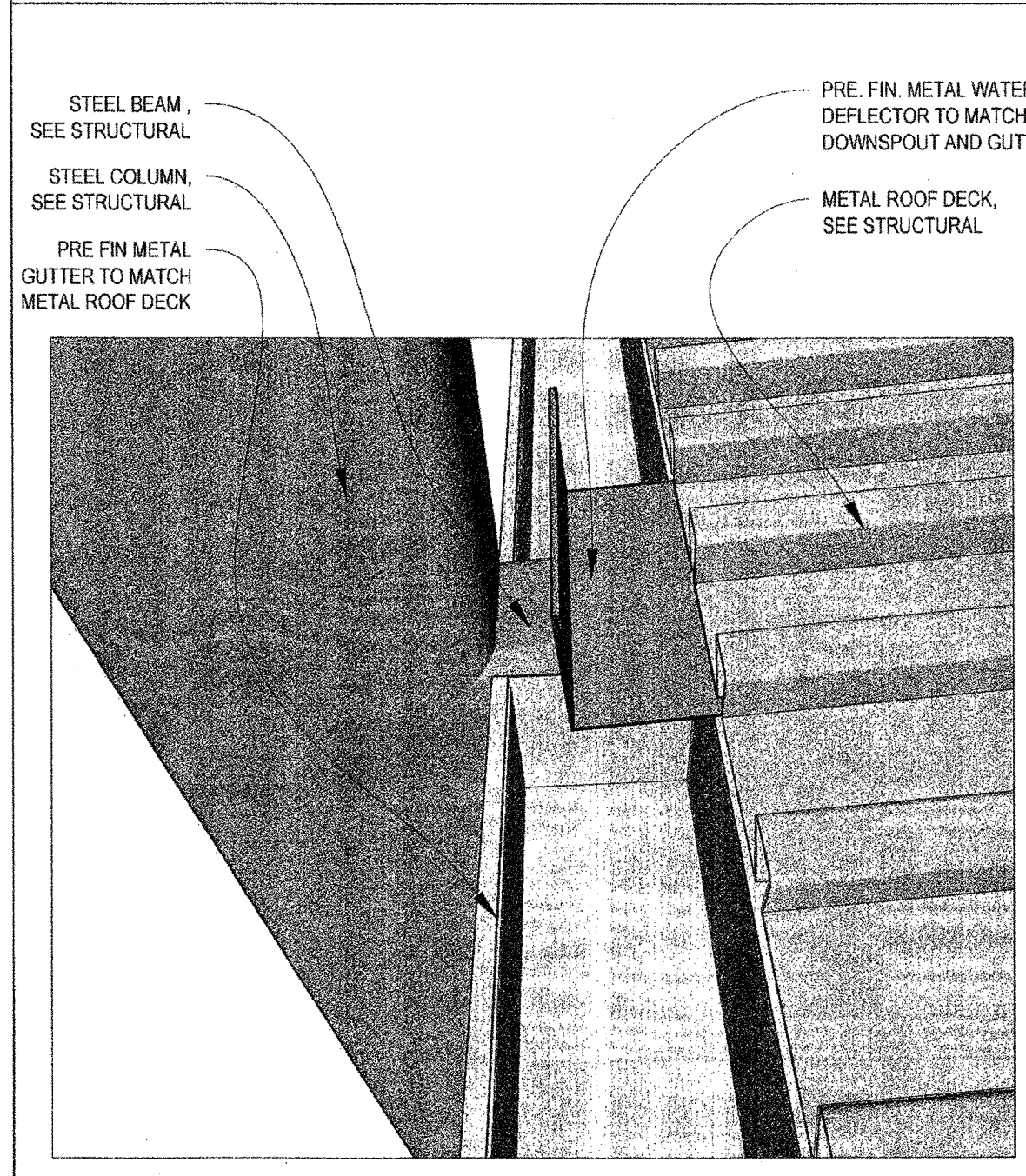
**5A CANOPY DETAIL**  
A0.14 SCALE: 3" = 1'-0"



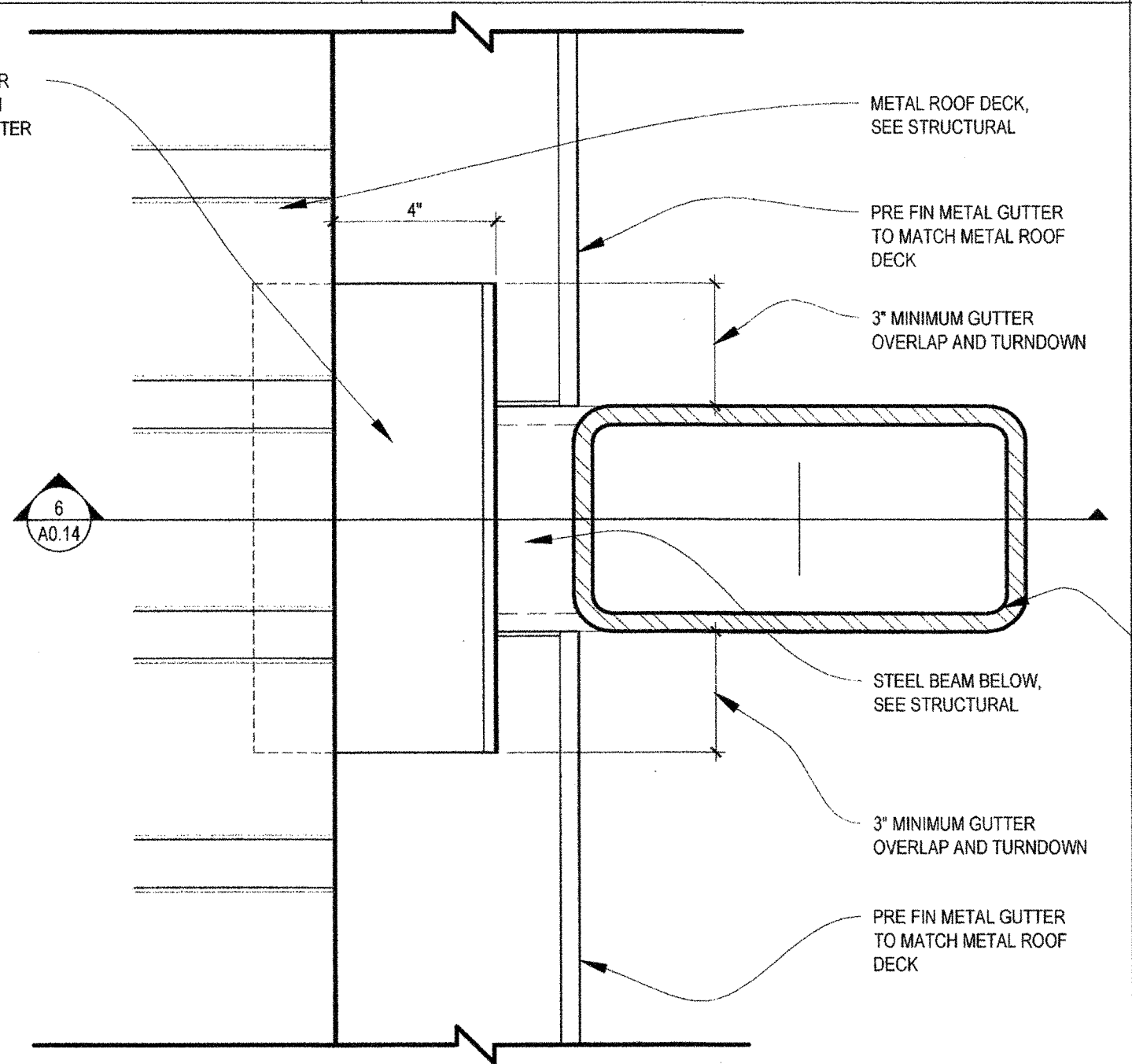
**5 CANOPY DETAIL**  
A0.14 SCALE: 3" = 1'-0"



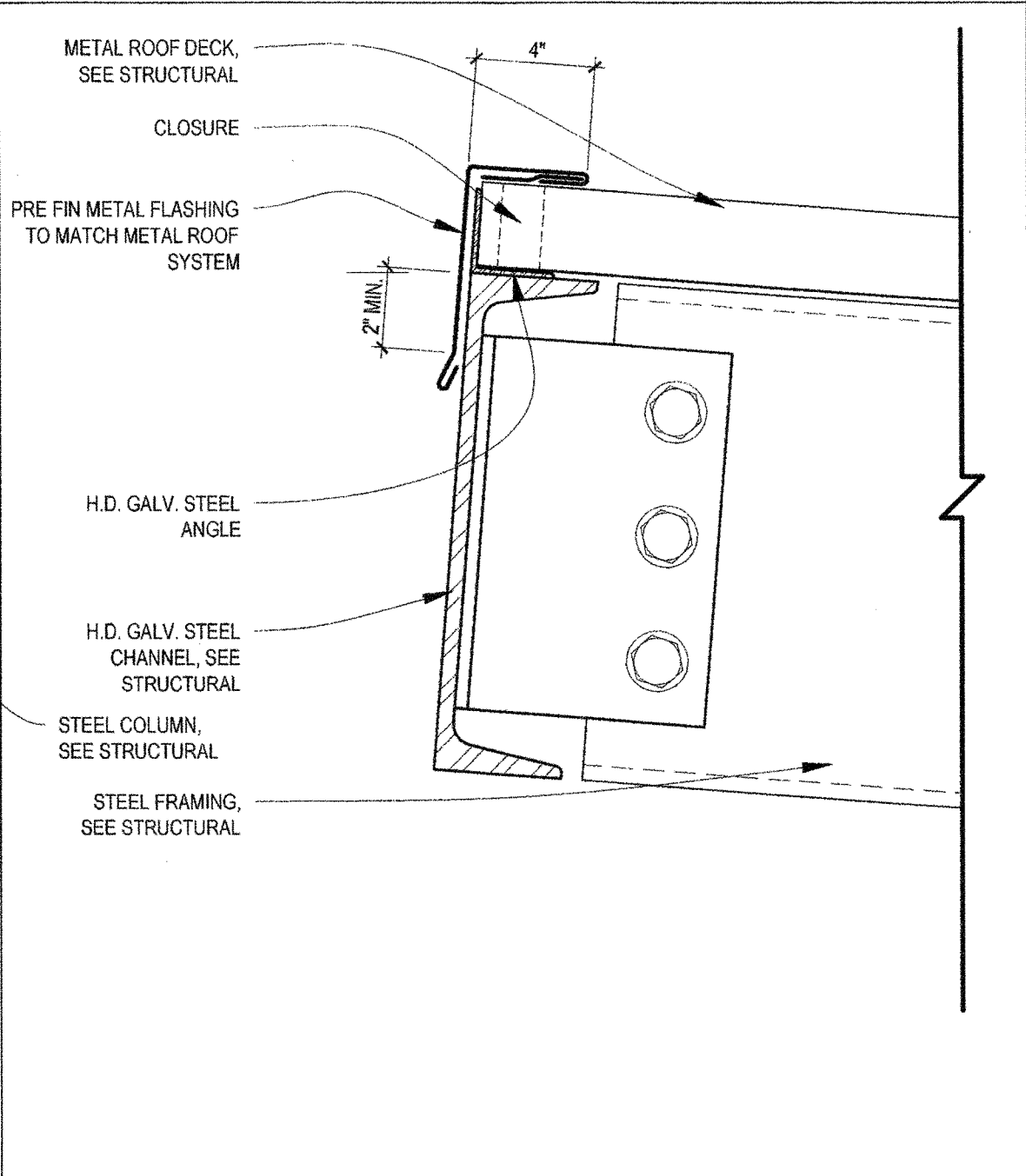
**4 CANOPY DETAIL**  
A0.14 SCALE: 3" = 1'-0"



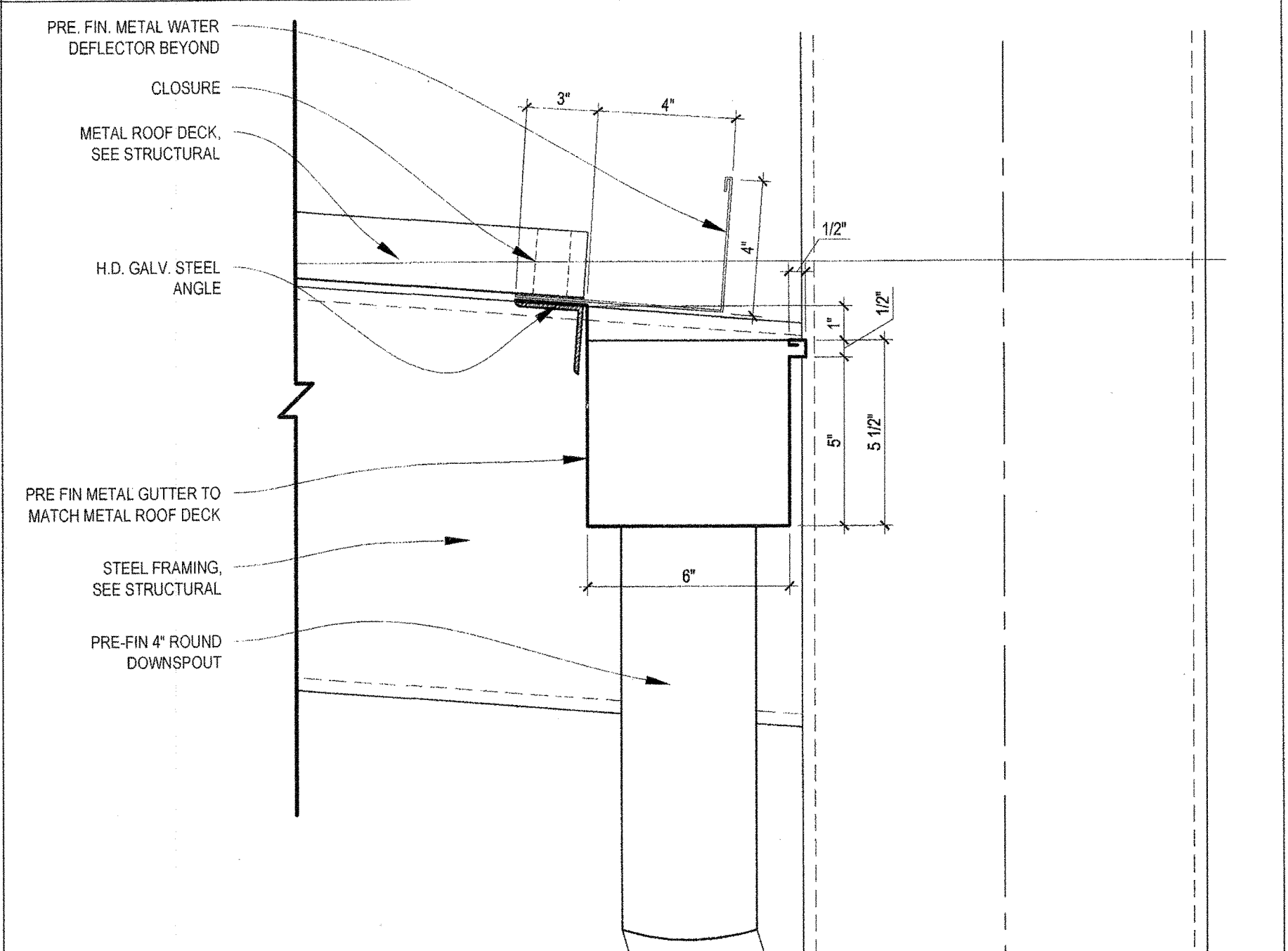
**3A WATER DEFLECTOR 3D DETAIL**  
A0.14 / NOT TO SCALE



**3 PLAN DETAIL - WATER DEFLECTOR**  
A0.14 SCALE: 3" = 1'-0"



**2 CANOPY DETAIL**  
A0.14 SCALE: 3" = 1'-0"



**1 CANOPY GUTTER DETAIL**  
A0.14 SCALE: 3" = 1'-0"

**VergesRome**  
Architects  
**FANNING+HOWEY**  
A Joint Venture

320 N. Carrollton Avenue, Suite 100  
New Orleans, Louisiana 70119  
t. 504.488.7739 f. 504.488.7743

© copyright 2012

**NEW 3 SECTION ELEMENTARY SCHOOL  
AT FISK-HOWARD SCHOOL  
RECOVERY SCHOOL DISTRICT**

211 S. LOPEZ STREET  
NEW ORLEANS, LOUISIANA 70119

DATE ISSUED: 7 DECEMBER, 2012  
REVISED:  
REVISED:  
REVISED:  
REVISED:  
DRAWN BY: MSR, CMB  
CHECKED BY: DGR, JFM  
PHASE:

**BID DOCUMENTS**

**11085**

TITLE:  
**SITE PLAN  
CANOPY DETAILS**

SHEET:  
**A0.14**