



**NEW 3 SECTION ELEMENTARY SCHOOL
AT FISK-HOWARD SCHOOL
RECOVERY SCHOOL DISTRICT**

211 S. LOPEZ STREET NEW ORLEANS, LOUISIANA 70119

DATE ISSUED: 7 DECEMBER, 2012
REVISED:
REVISED:
REVISED:
REVISED:
DRAWN BY: MSR
CHECKED BY: DGR, JFM
PHASE:

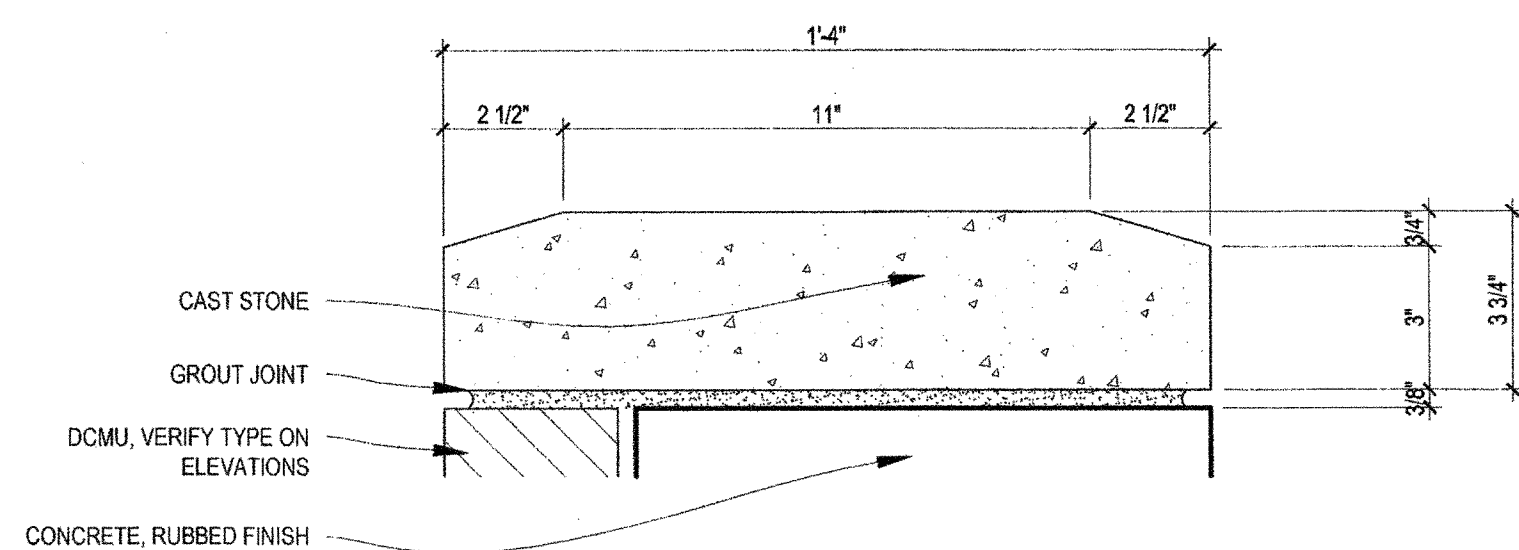
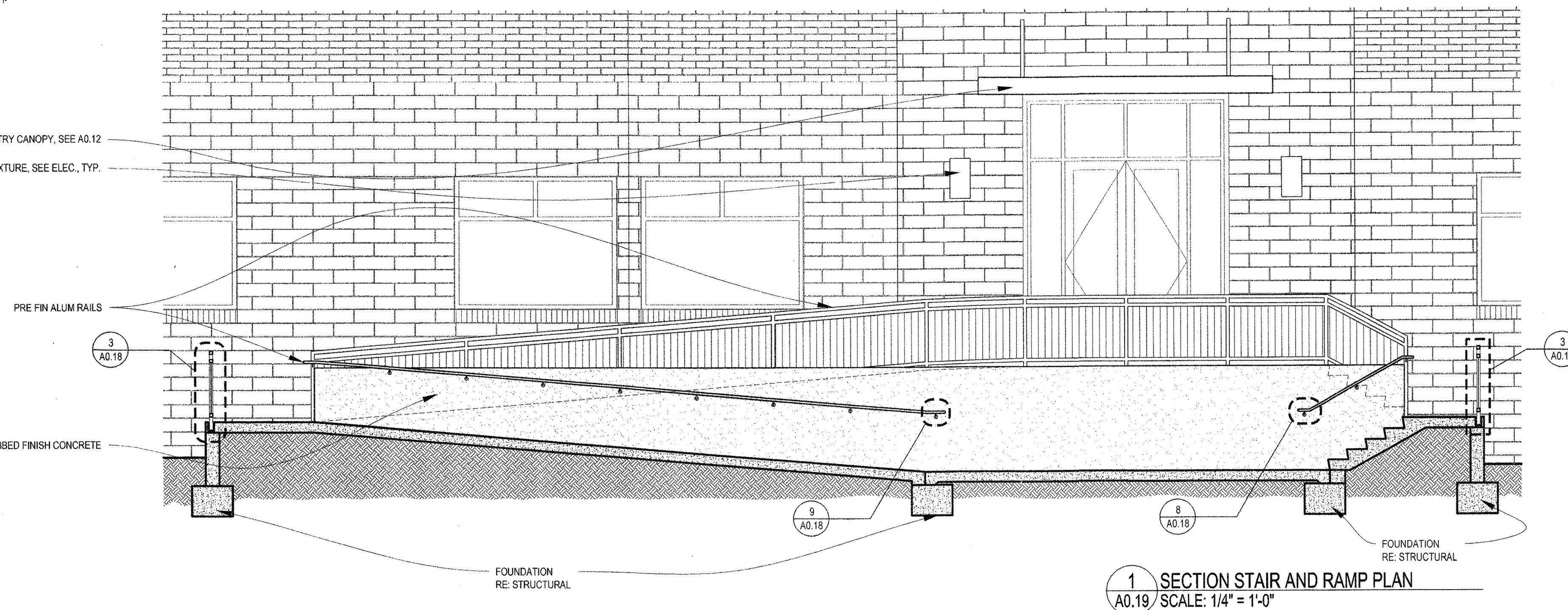
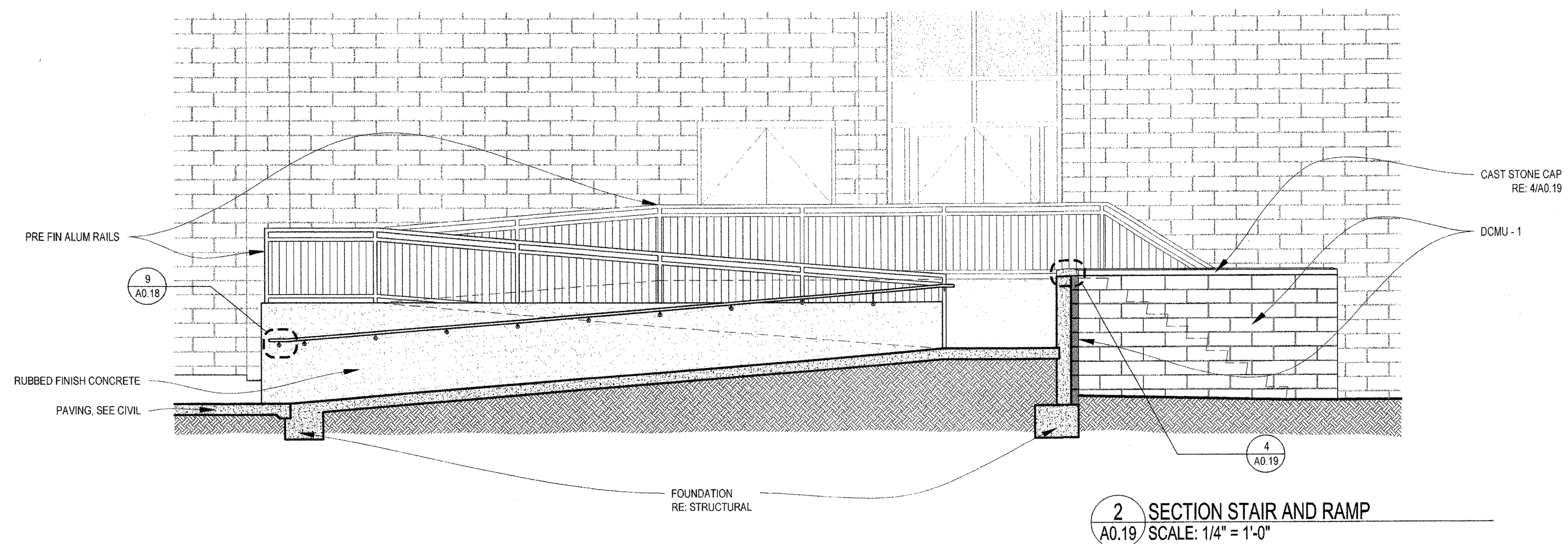
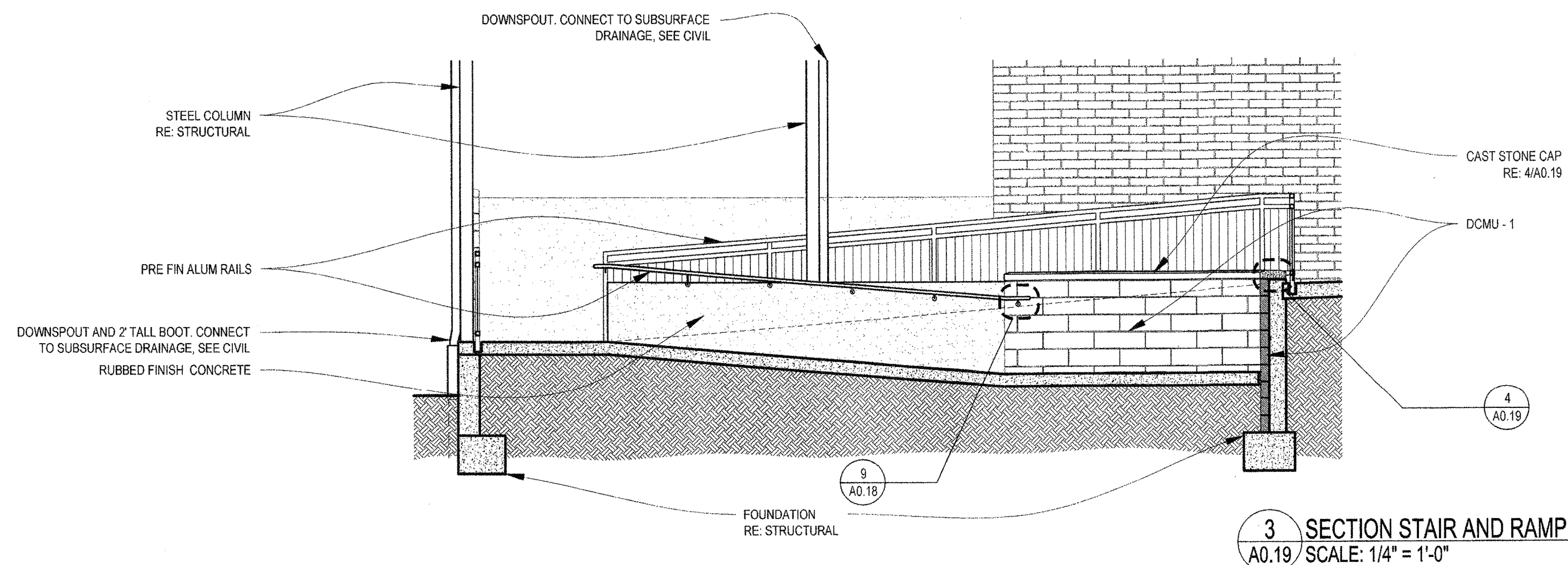
BID DOCUMENTS

11085

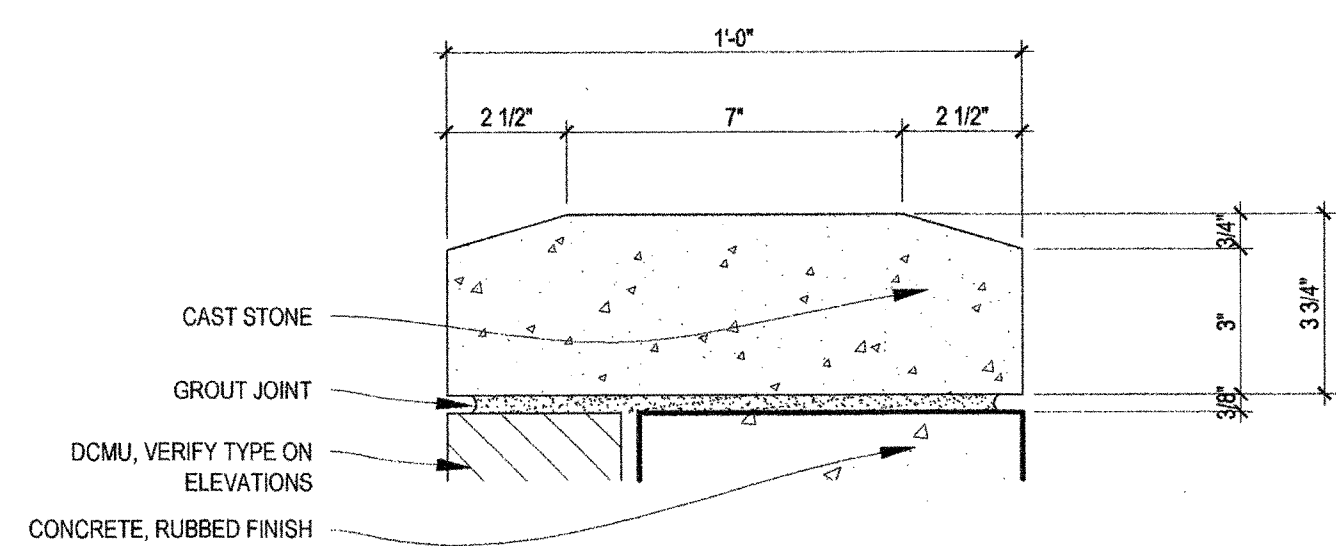
TITLE:
STAIR & RAMP
ENLG. PLANS & SECTIONS

SHEET:

A0.19



5 CAST STONE CAP
A0.19 SCALE: 3" = 1'-0"



4 CAST STONE CAP
A0.19 SCALE: 3" = 1'-0"