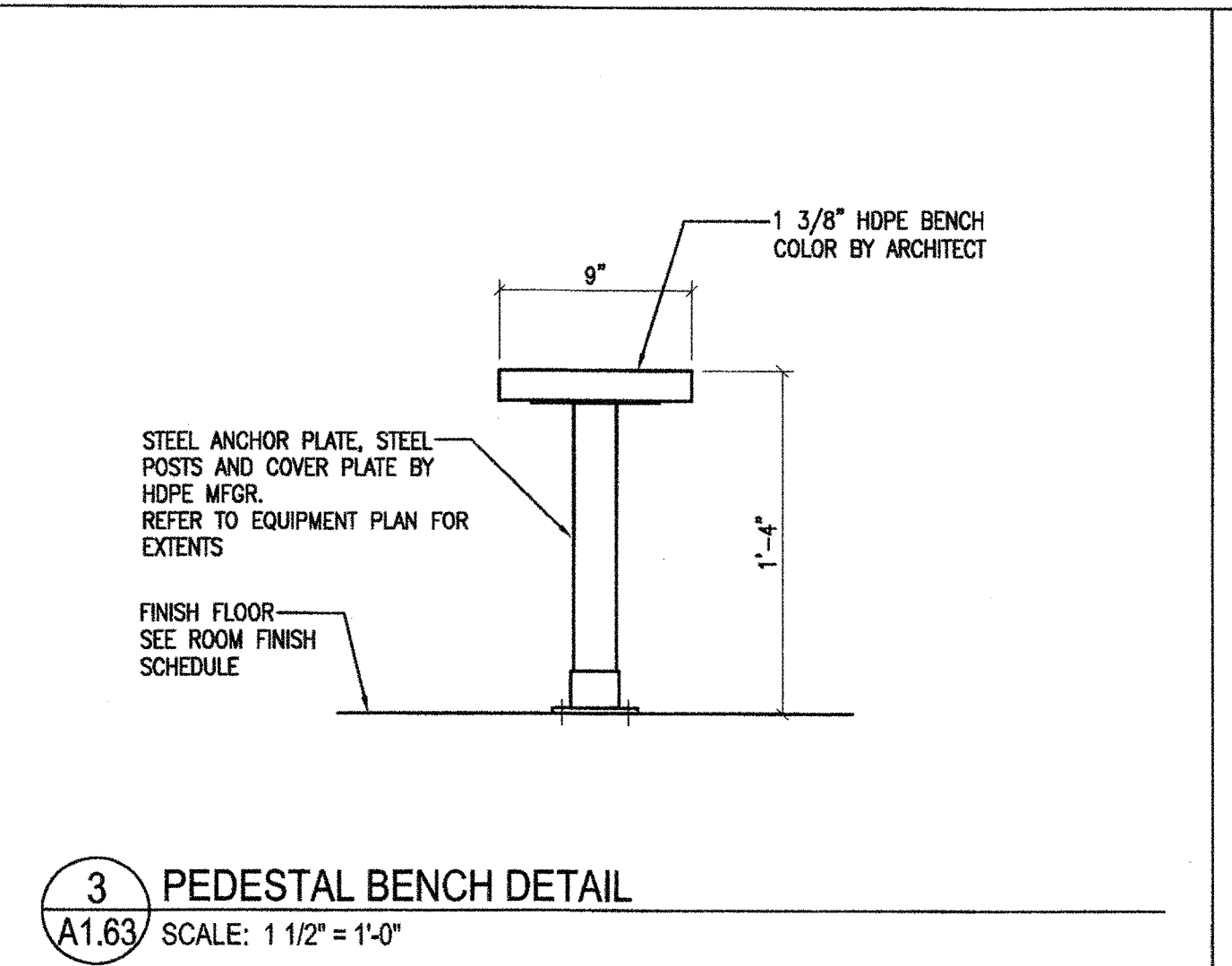
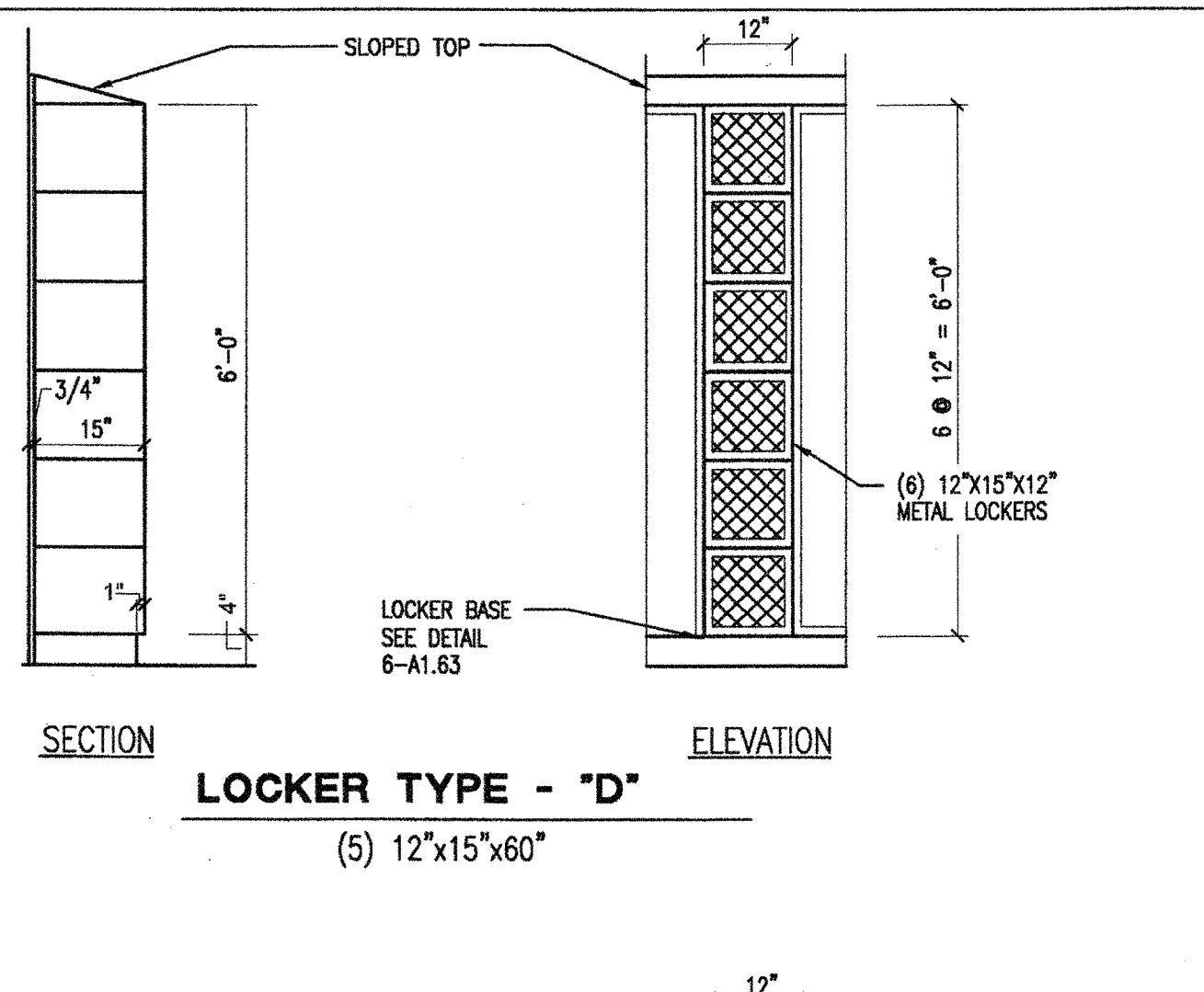


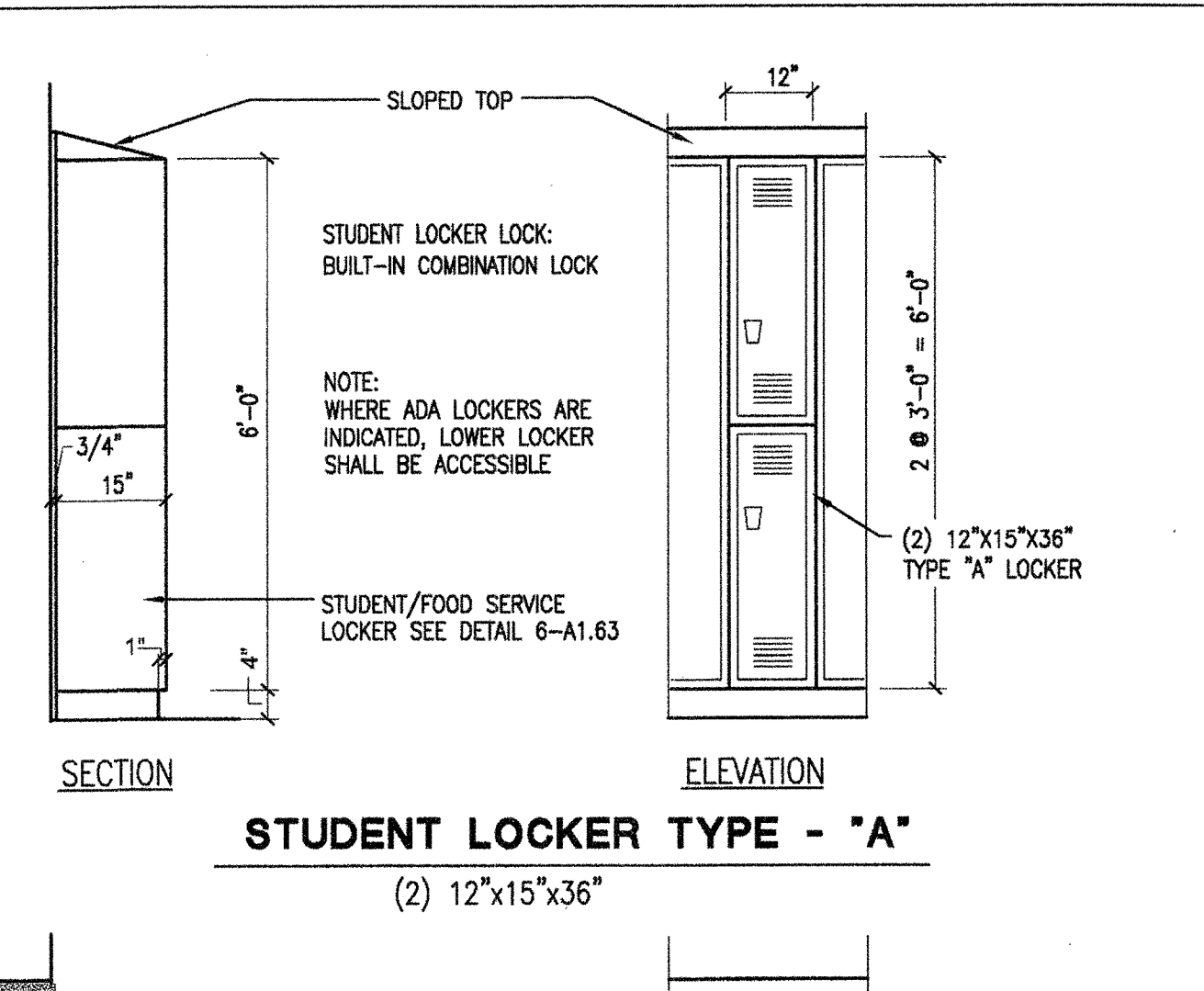
7 LOCKER DETAIL BACK TO BACK (LOW)
A1.63 SCALE: 1" = 1'-0"



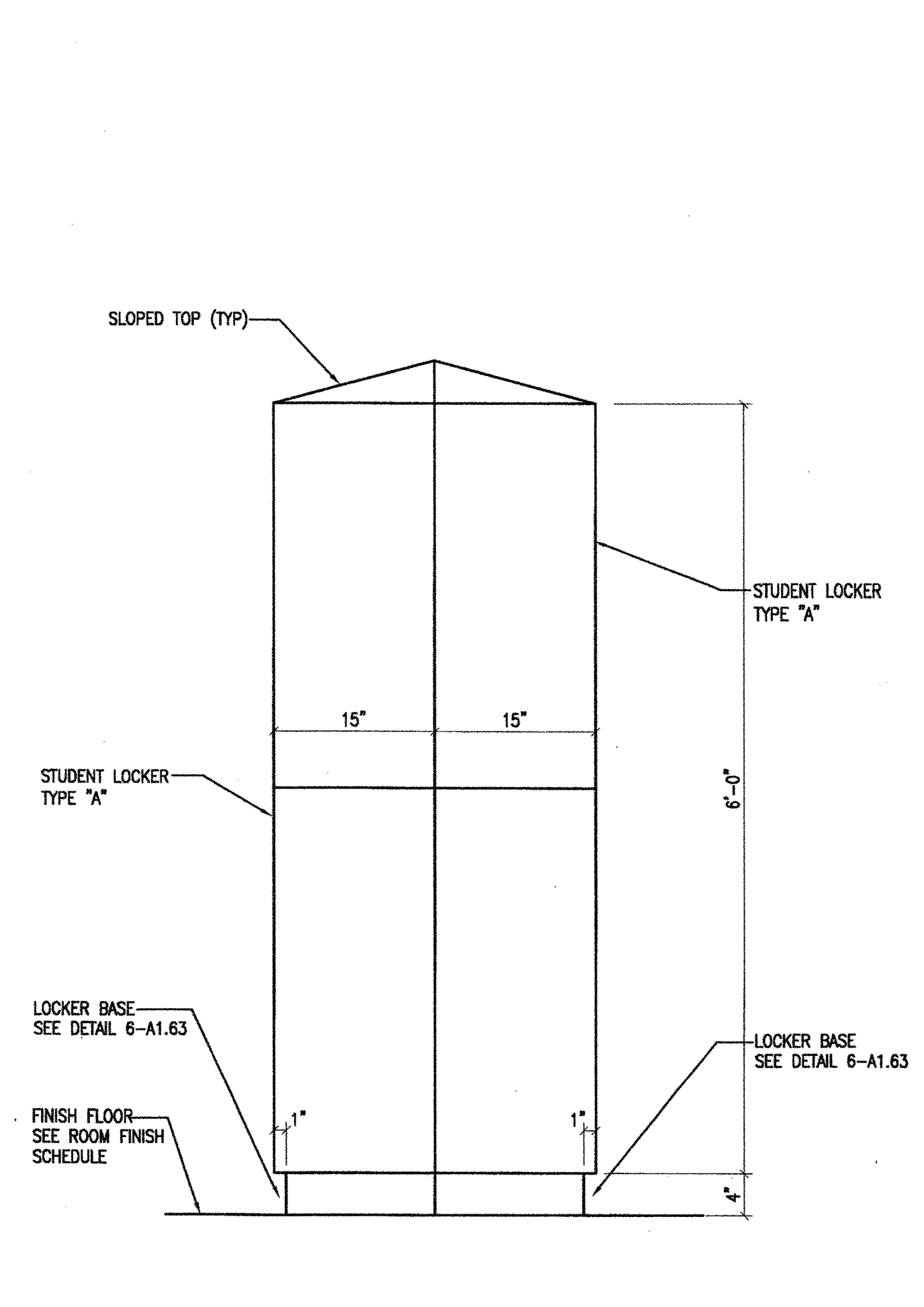
3 PEDESTAL BENCH DETAIL
A1.63 SCALE: 1 1/2" = 1'-0"



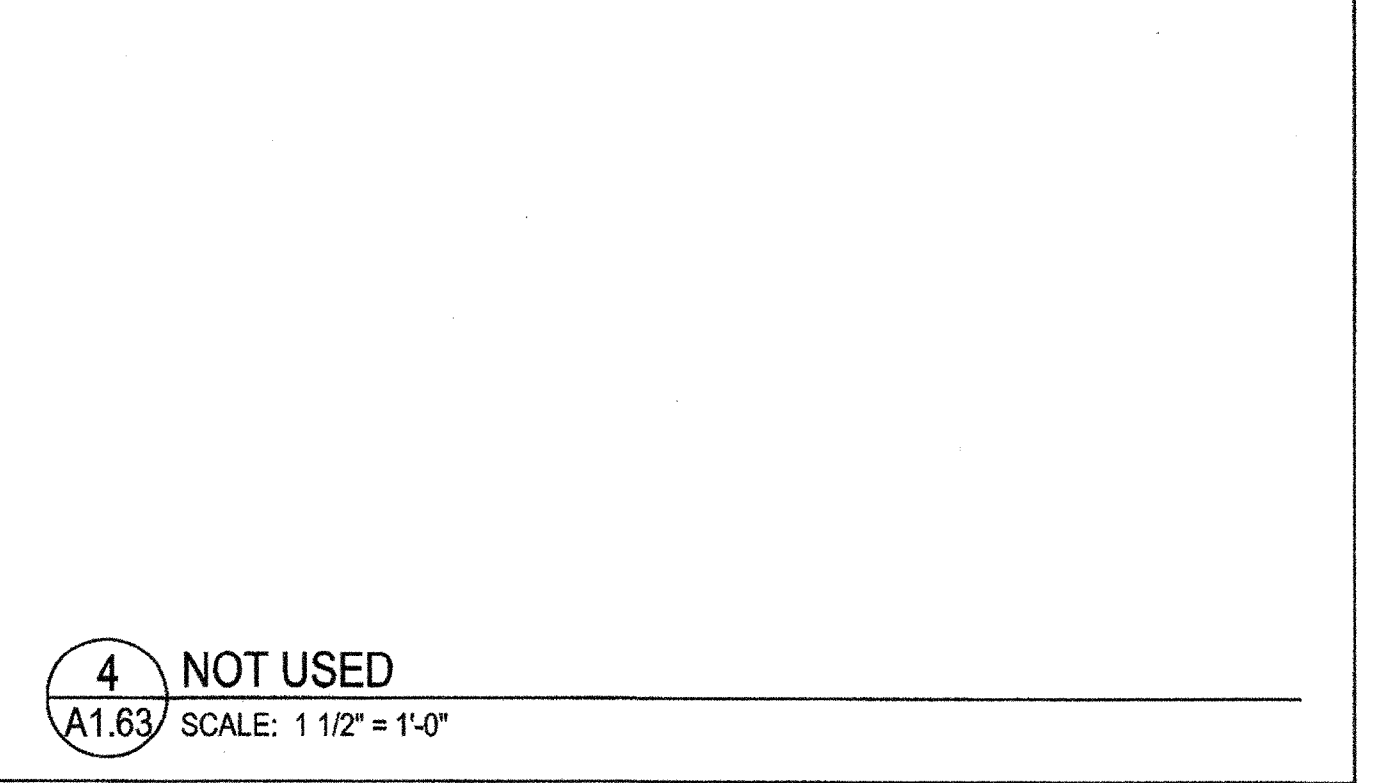
LOCKER TYPE - "D"
(5) 12"x15"x60"



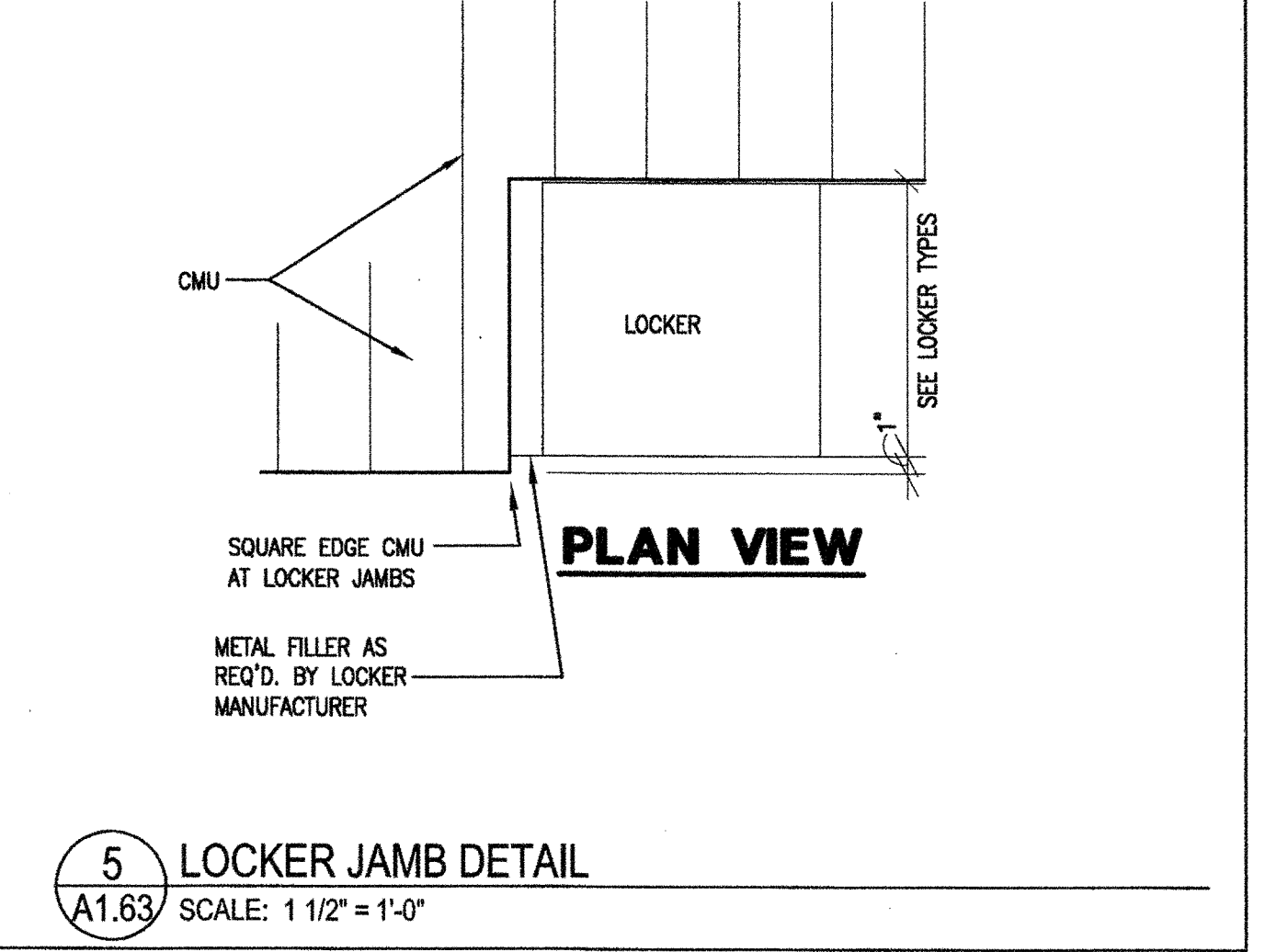
STUDENT LOCKER TYPE - "A"
(2) 12"x15"x36"



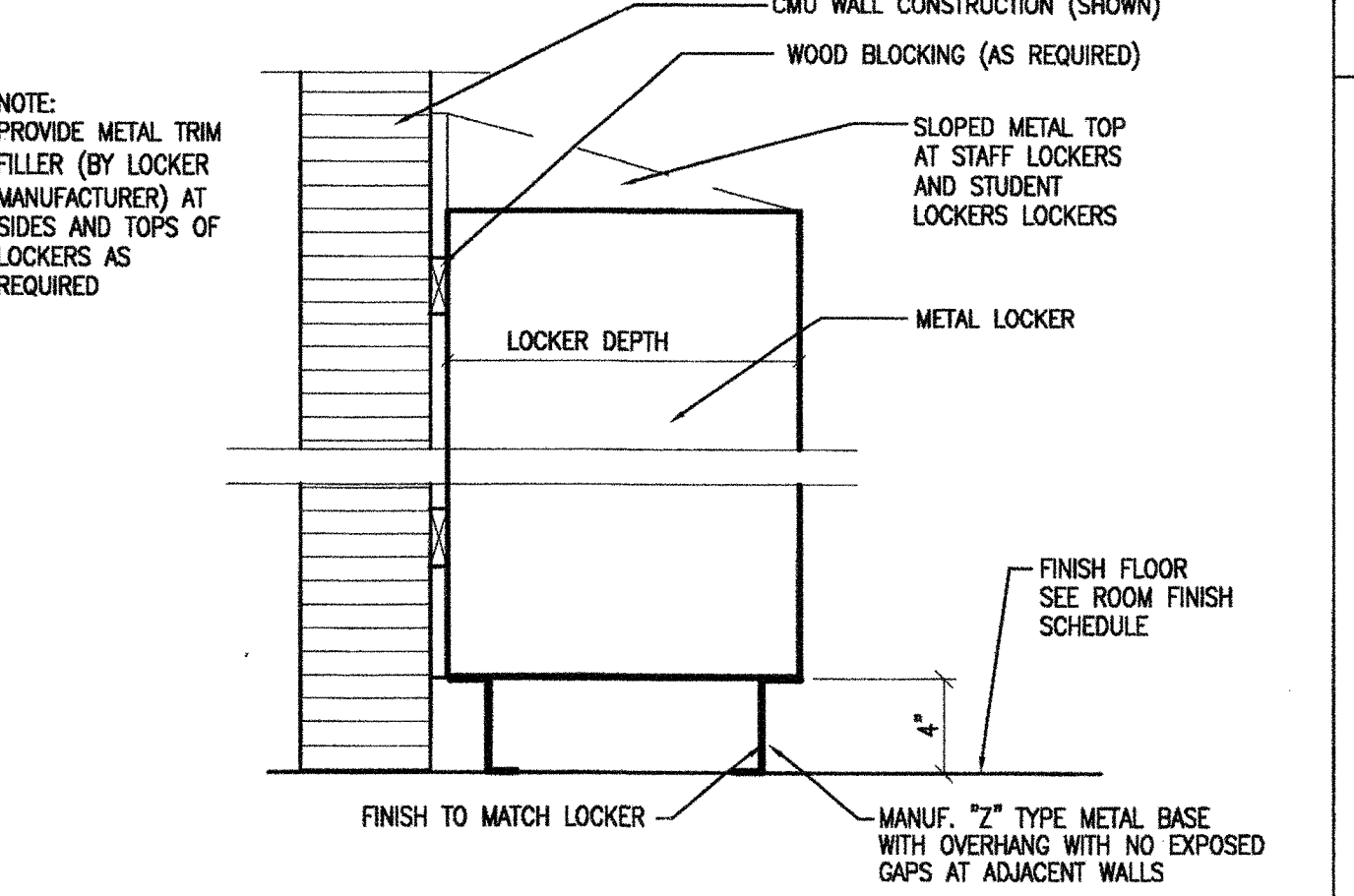
8 LOCKER DETAIL BACK TO BACK (TALL)
A1.63 SCALE: 1" = 1'-0"



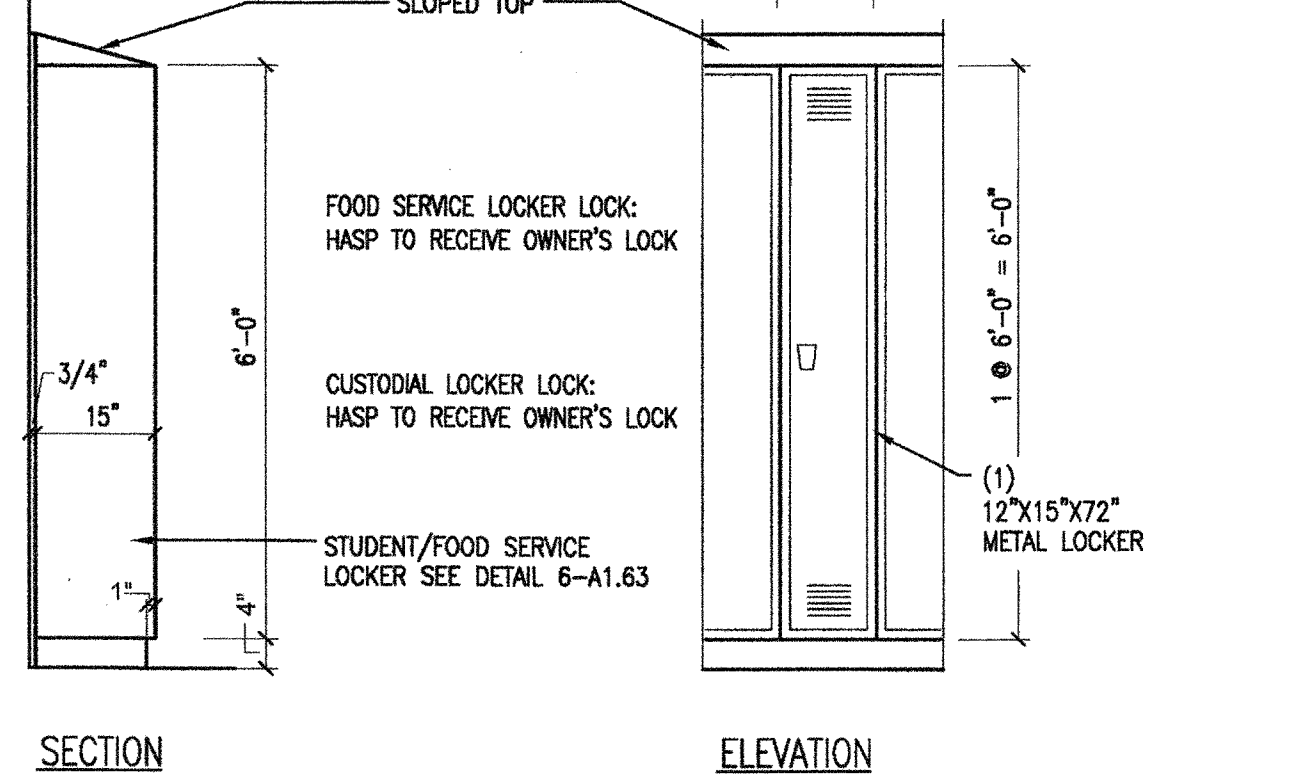
4 NOT USED
A1.63 SCALE: 1 1/2" = 1'-0"



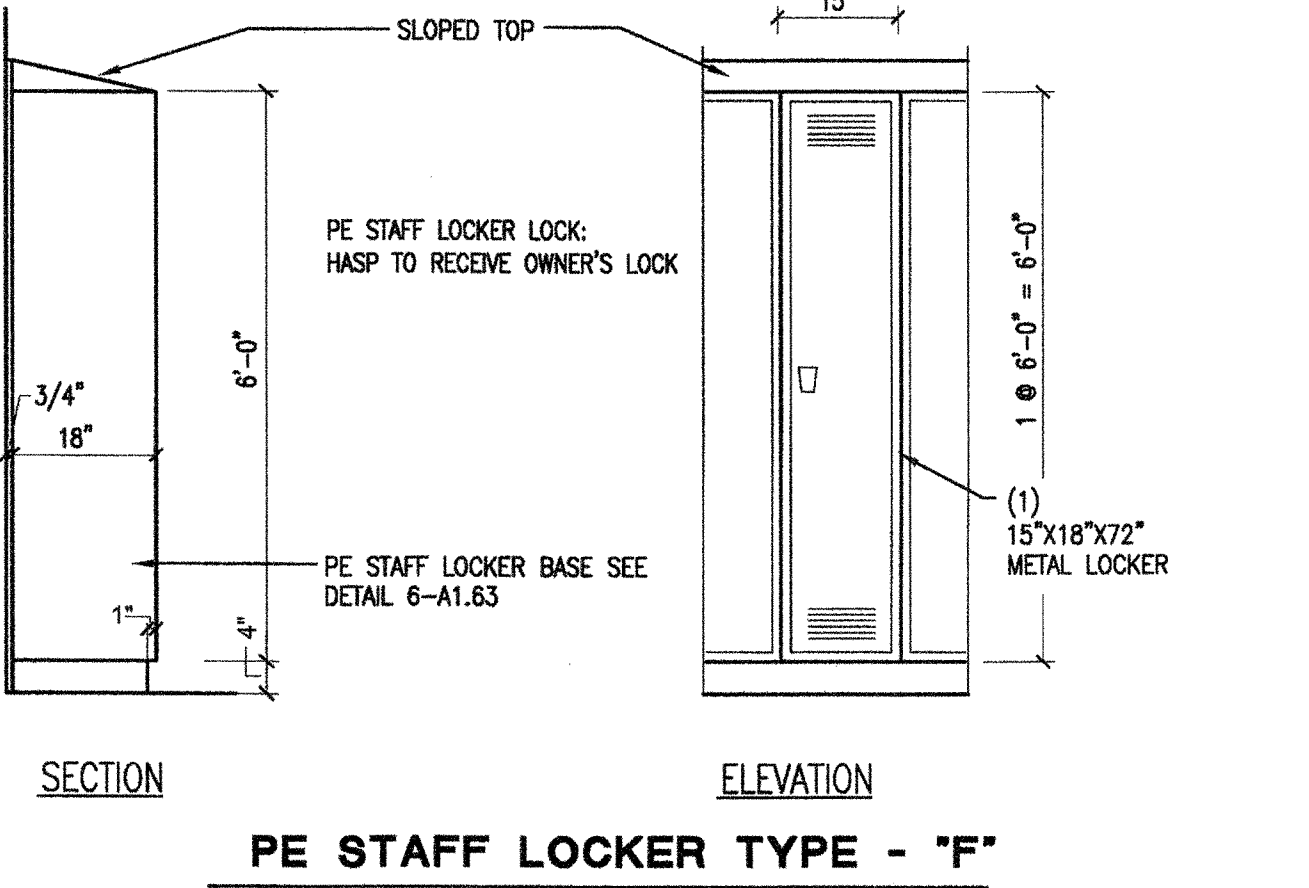
5 LOCKER JAMB DETAIL
A1.63 SCALE: 1 1/2" = 1'-0"



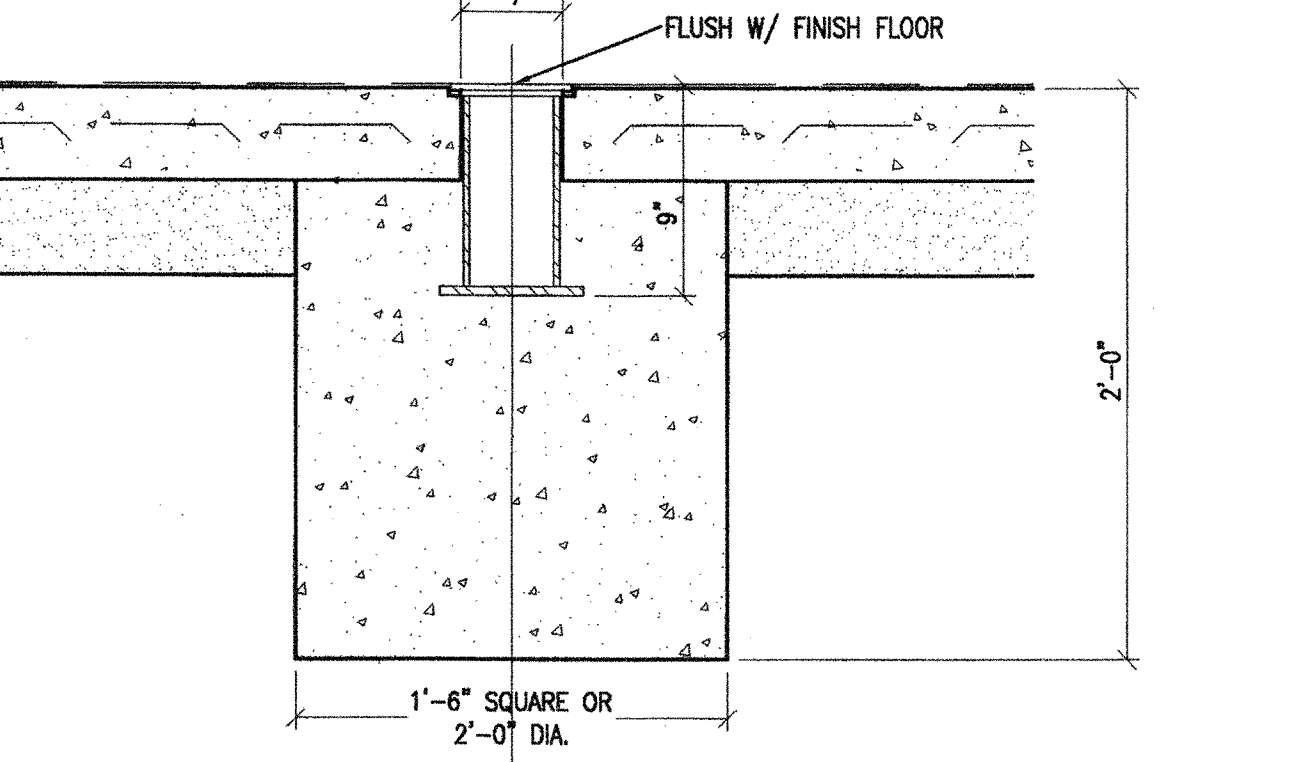
6 LOCKER BASE DETAIL
A1.63 SCALE: 1 1/2" = 1'-0"



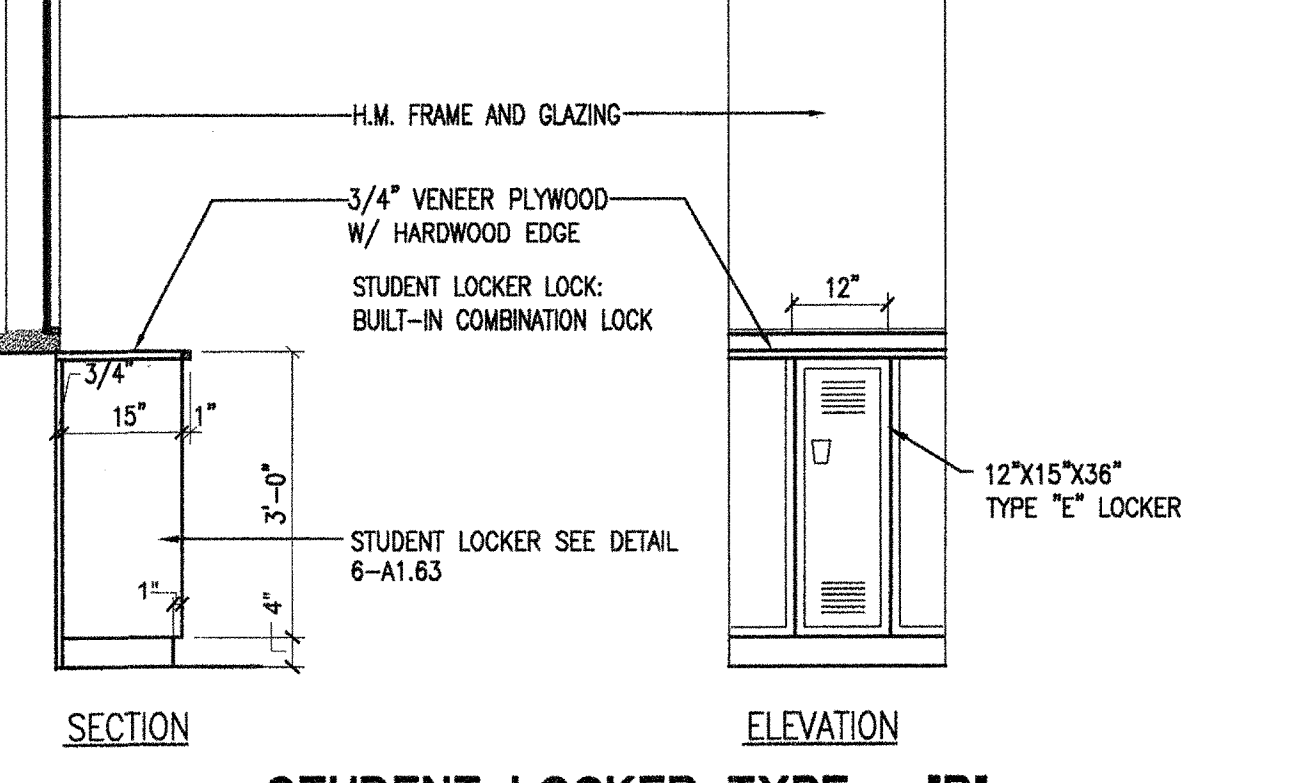
STAFF LOCKER TYPE - "E"
(1) 12"x15"x72"



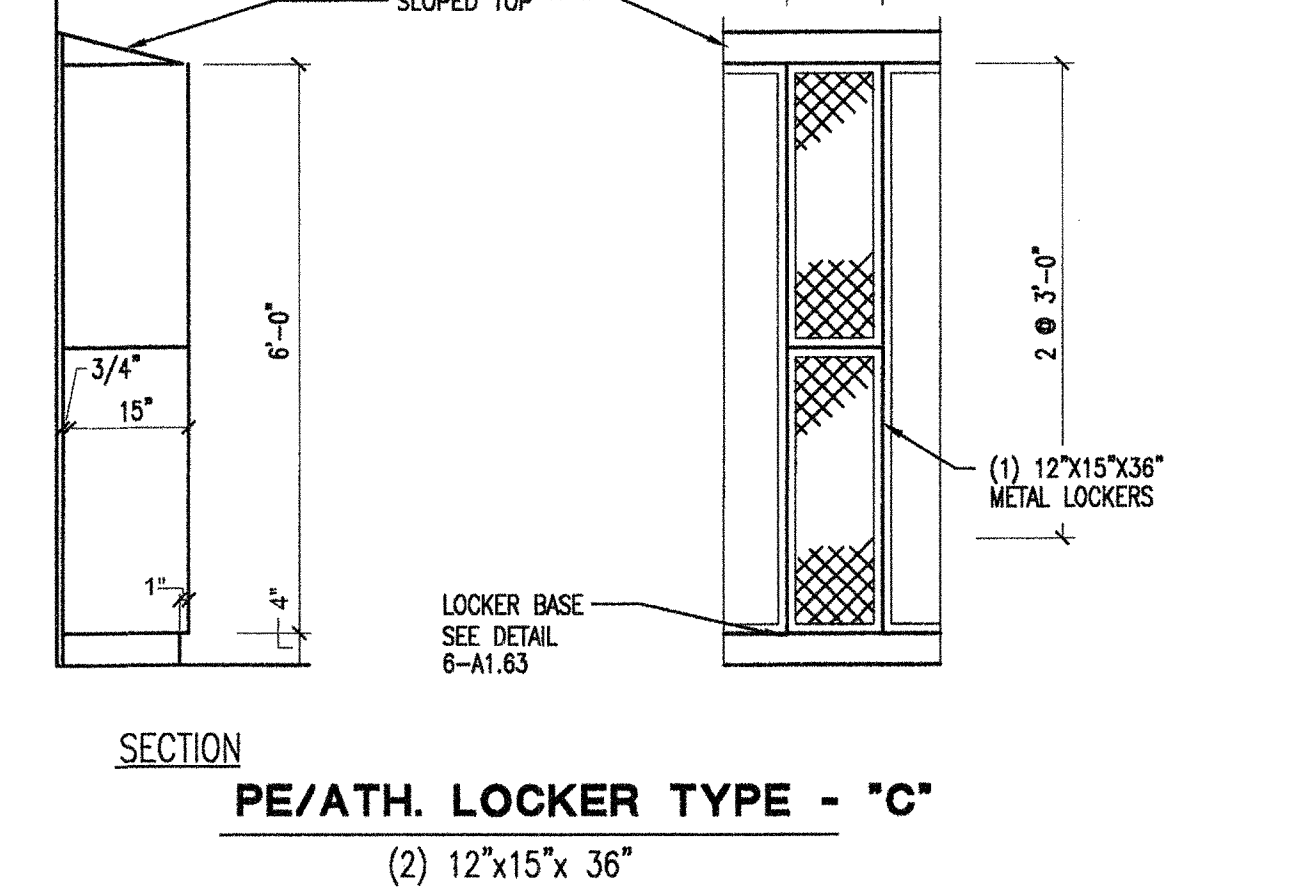
PE STAFF LOCKER TYPE - "F"
(1) 15"x18"x72"



2 VOLLEYBALL POST FLOOR SLEEVE
A1.63 SCALE: 1 1/2" = 1'-0"



STUDENT LOCKER TYPE - "B"
(1) 12"x15"x36"



PE/ATH. LOCKER TYPE - "C"
(2) 12"x15"x 36"

1 LOCKER TYPES
A1.63 SCALE: 1/2" = 1'-0"

SEE EQUIPMENT PLANS FOR QUANTITY AND LOCATION OF ALL LOCKER TYPES

