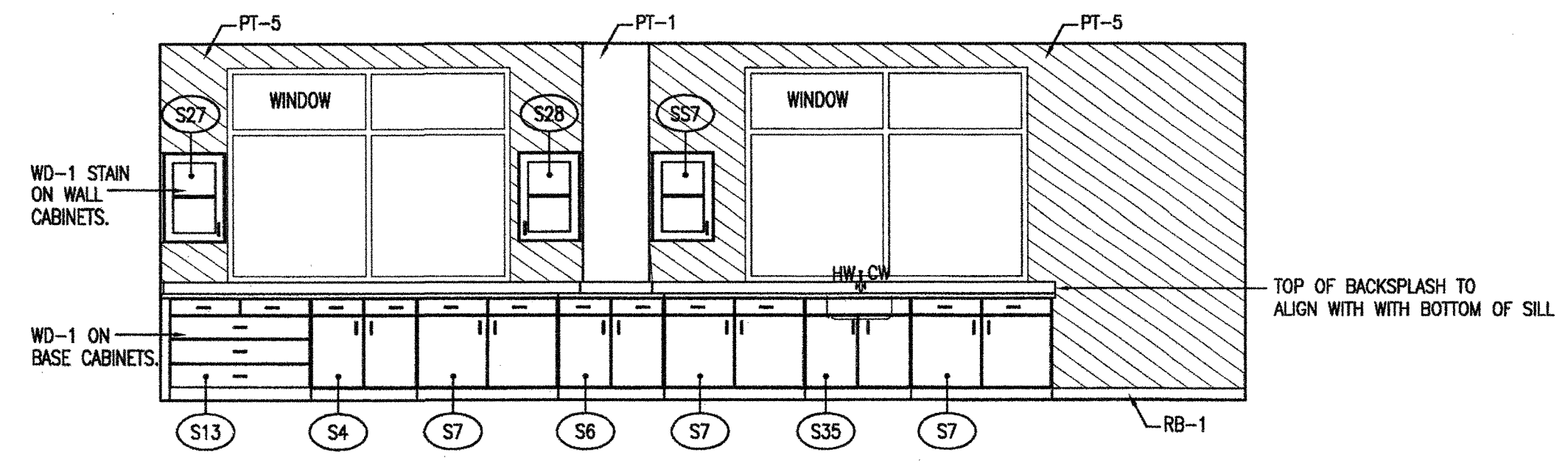
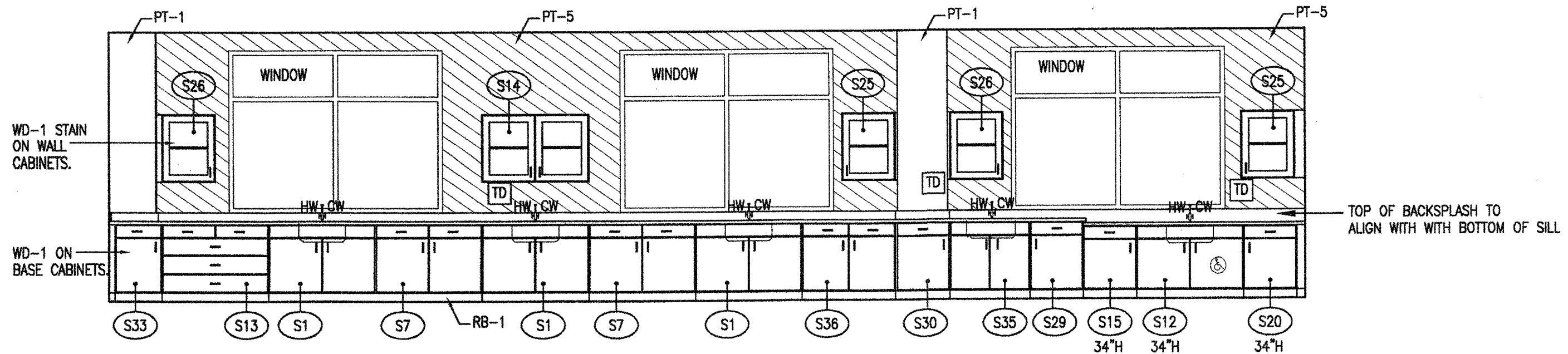




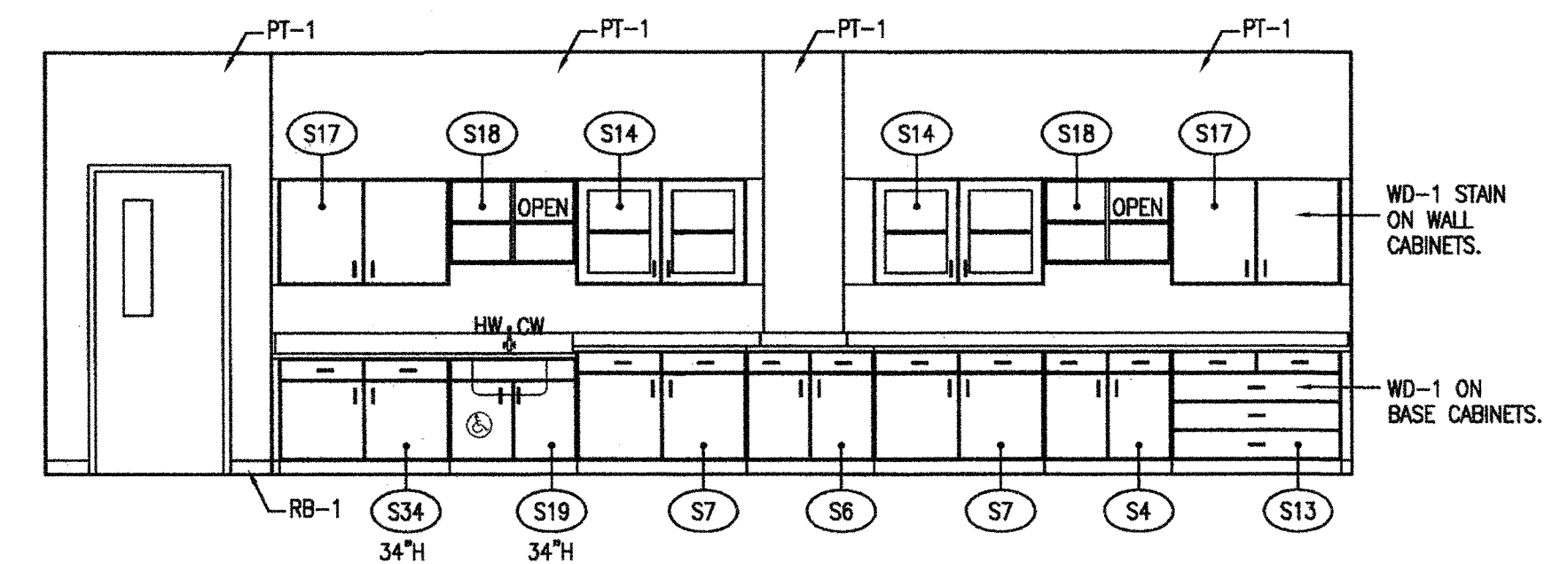
**NEW 3 SECTION ELEMENTARY SCHOOL
AT FISK-HOWARD SCHOOL
RECOVERY SCHOOL DISTRICT**
 211 S. LOPEZ STREET
 NEW ORLEANS, LOUISIANA 70119



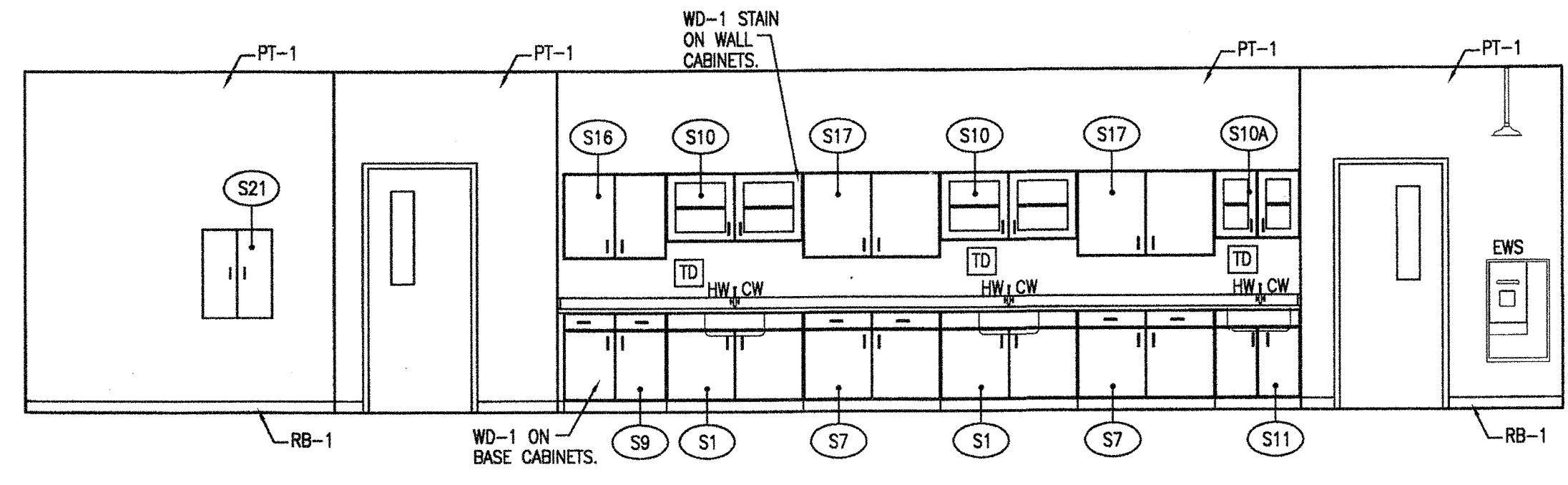
5 SCIENCE CLASSROOM 3029- WEST ELEVATION
A4.22 SCALE: 1/4" = 1'-0"



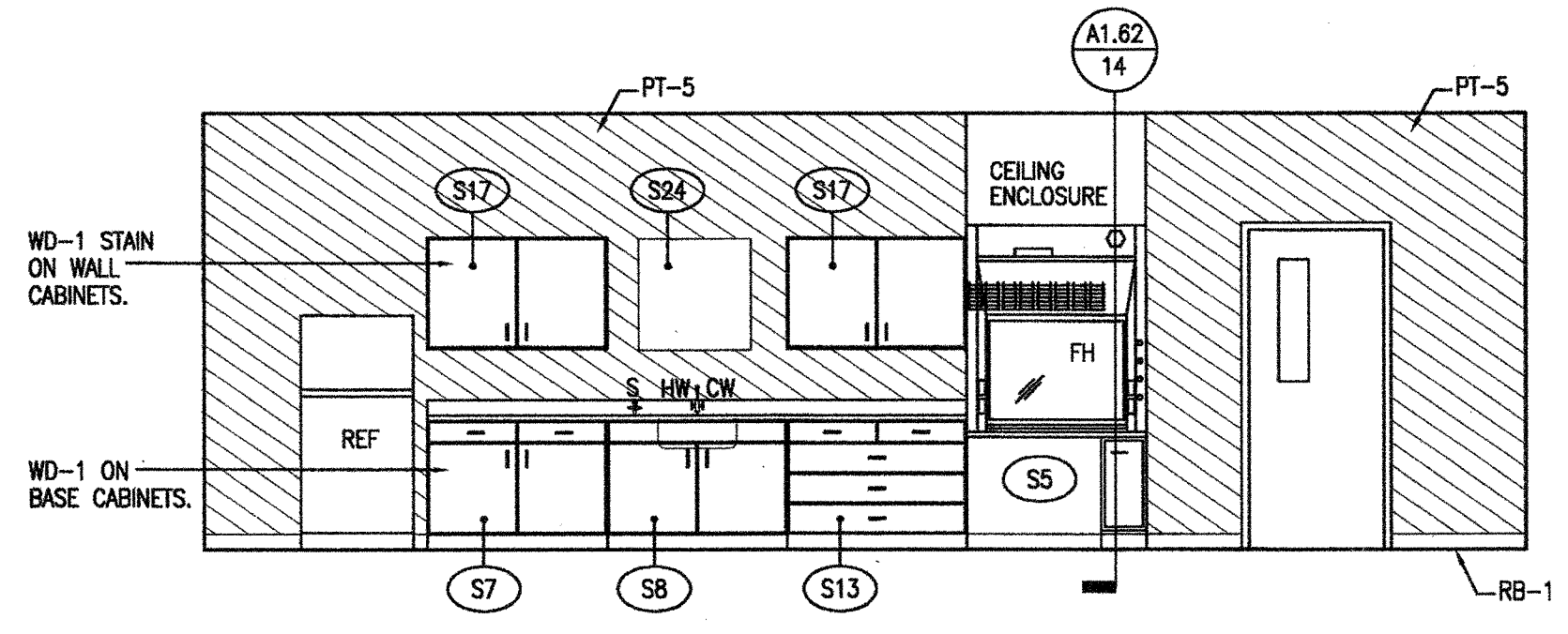
1 SCIENCE LAB 3025- WEST ELEVATION
A4.22 SCALE: 1/4" = 1'-0"



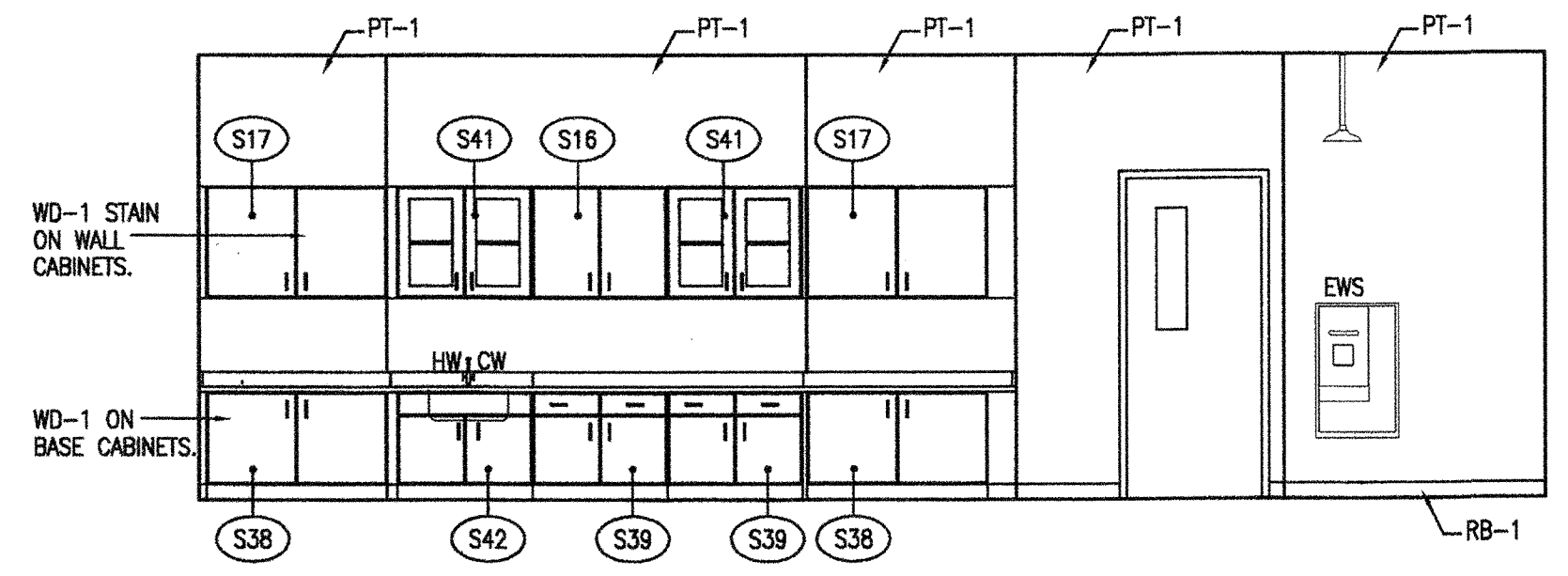
6 SCIENCE CLASSROOM 3029- EAST ELEVATION
A4.22 SCALE: 1/4" = 1'-0"



2 SCIENCE LAB 3025- EAST ELEVATION
A4.22 SCALE: 1/4" = 1'-0"

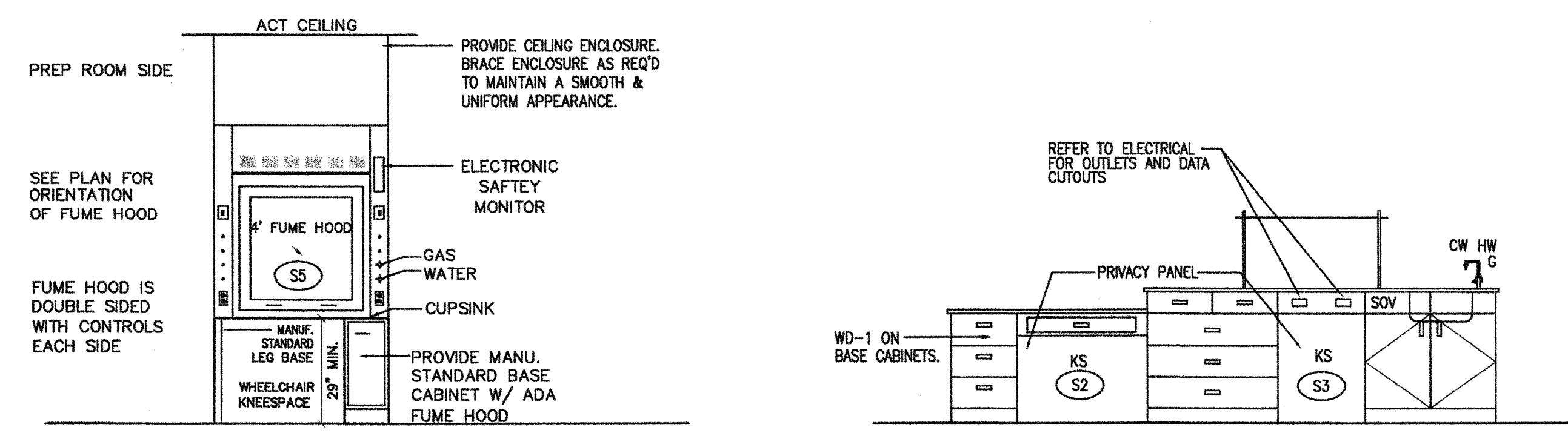


7 SCIENCE PREP 3027- NORTH ELEVATION
A4.22 SCALE: 1/4" = 1'-0"



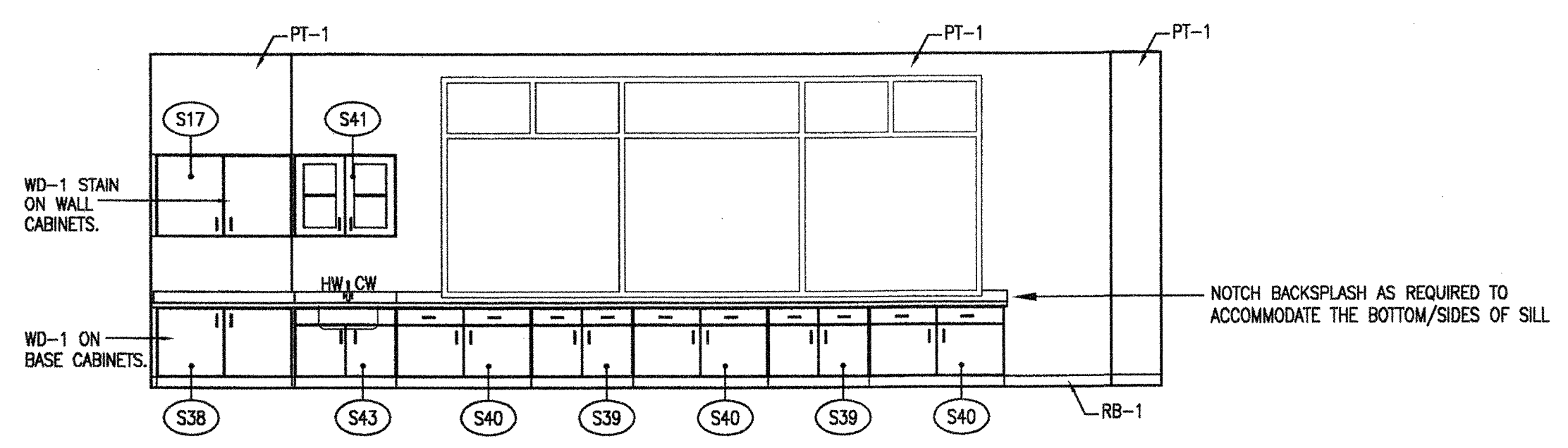
3 SCIENCE CLASSROOM 3004- NORTH ELEVATION
A4.22 SCALE: 1/4" = 1'-0"

NOTE:
REFER TO EQUIPMENT PLANS FOR
ADDITIONAL REQUIREMENTS



9 FUME HOOD - FRONT ELEVATION
A4.22 SCALE: 3/8" = 1'-0"

8 DEMONSTRATION TABLE - FRONT ELEVATION
A4.22 SCALE: 3/8" = 1'-0"



4 SCIENCE CLASSROOM 3004- SOUTH ELEVATION
A4.22 SCALE: 1/4" = 1'-0"

DATE ISSUED: 7 DECEMBER, 2012

REVISED:

REVISED:

REVISED:

REVISED:

REVISED:

DRAWN BY: MKS

CHECKED BY:

PHASE:

BID
DOCUMENTS

11085

TITLE:
**INTERIOR ELEVATIONS
SCIENCE**

SHEET:

A4.22