

**NEW 3 SECTION ELEMENTARY SCHOOL  
AT FISK-HOWARD SCHOOL  
RECOVERY SCHOOL DISTRICT**

NEW ORLEANS, LOUISIANA 70119  
211 S. LOPEZ STREET

DATE ISSUED: 7 DECEMBER, 2012  
REVISED:  
REVISED:  
REVISED:  
REVISED:  
DRAWN BY: CMB  
CHECKED BY: DGR, JFM  
PHASE:

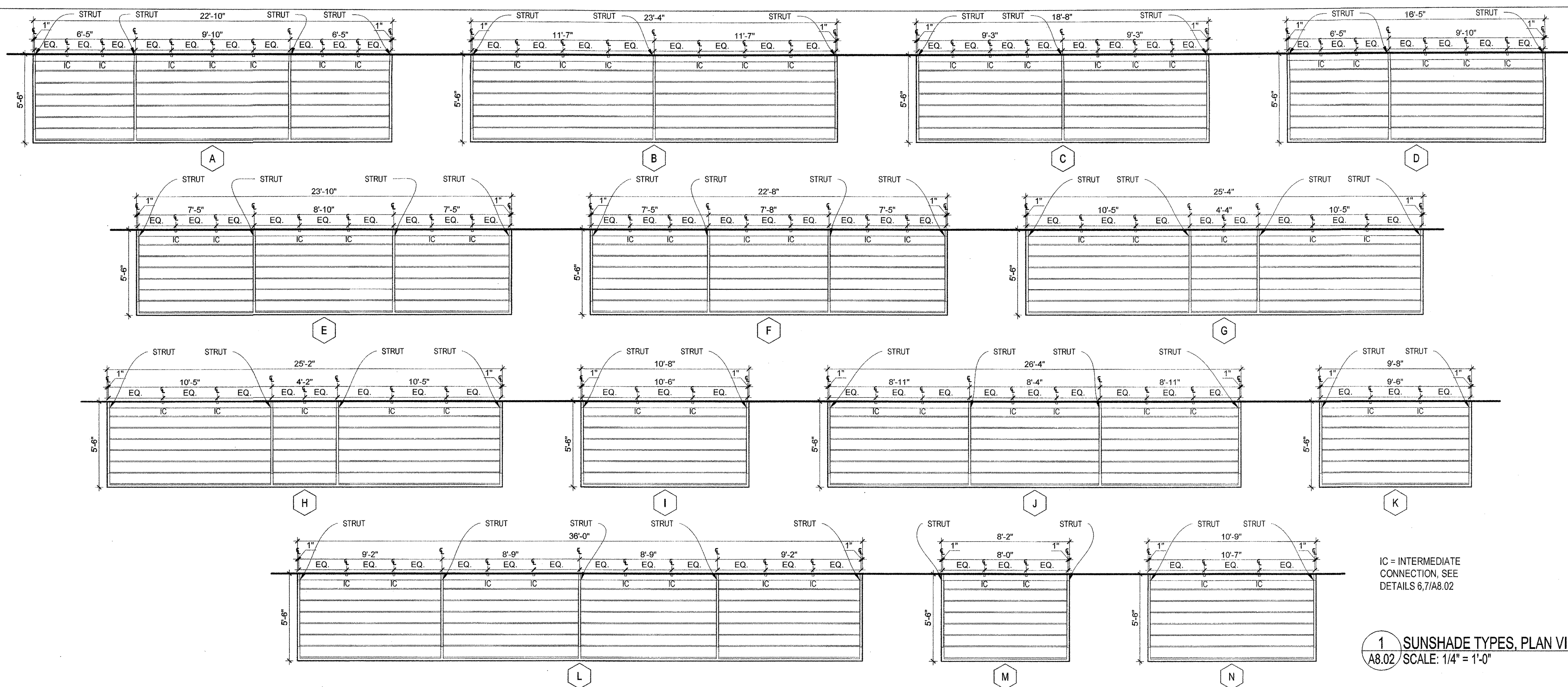
BID DOCUMENTS

11085

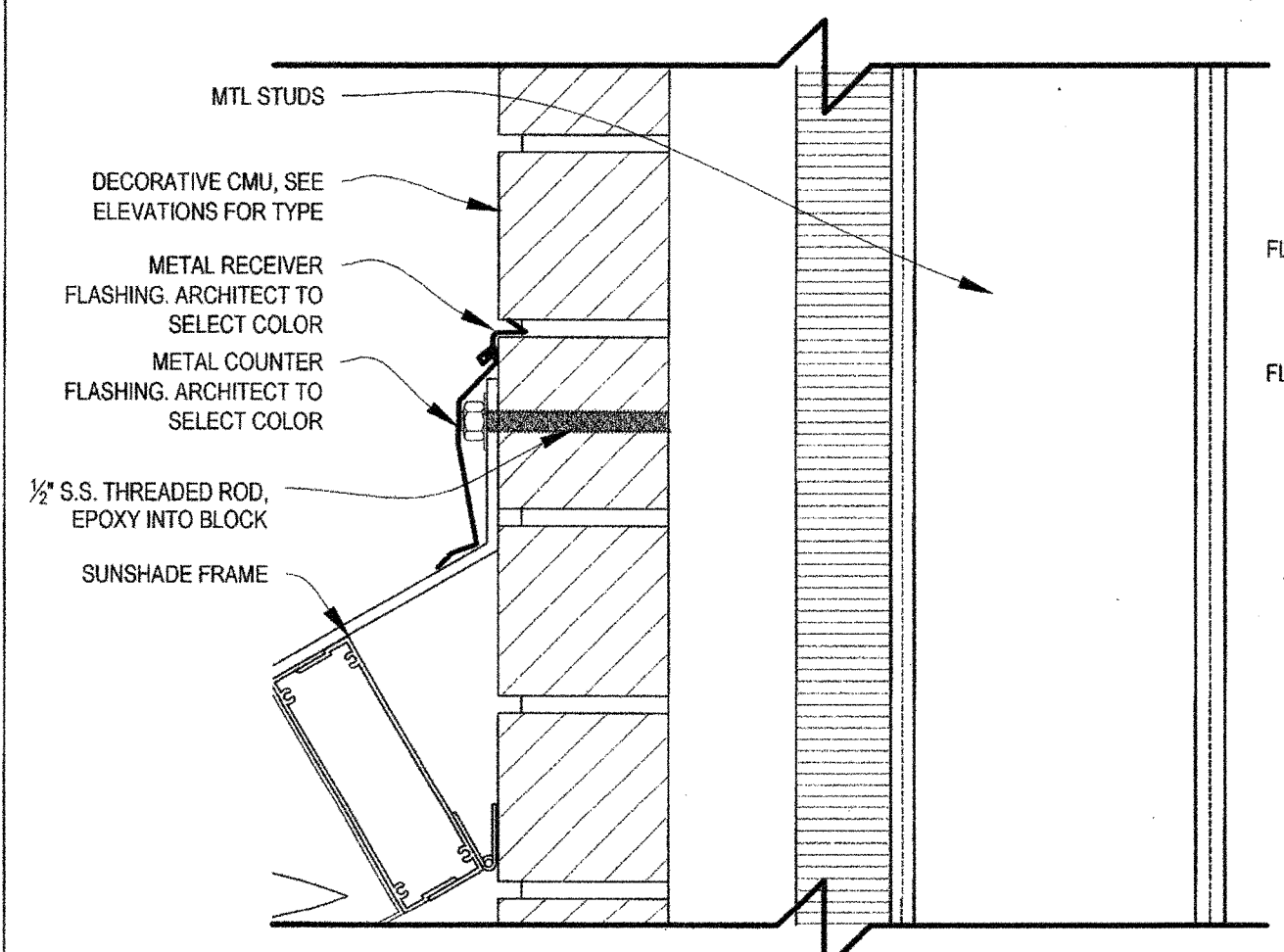
TITLE: SUNSHADES

SHEET:

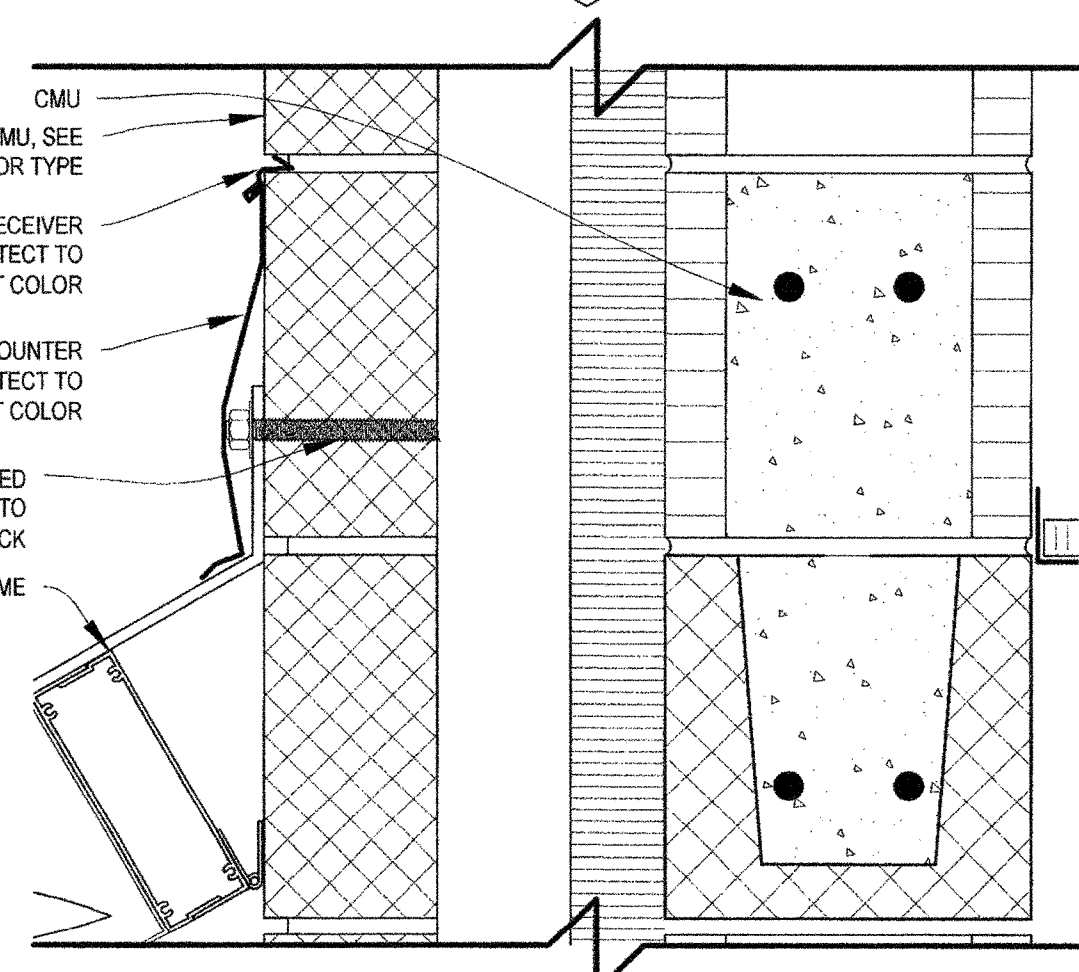
A8.02



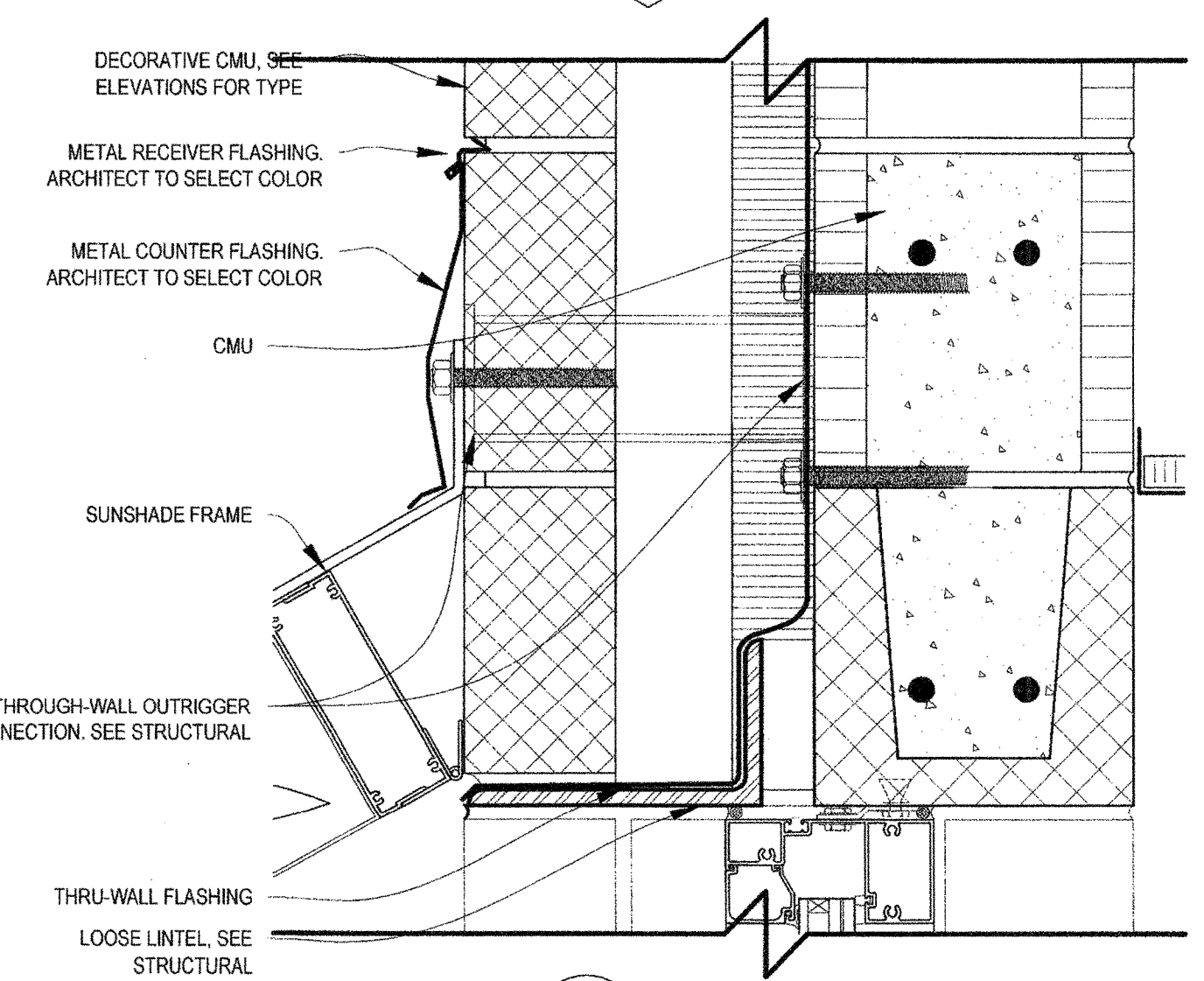
**1 SUNSHADE TYPES, PLAN VIEW**  
A8.02 / SCALE: 1/4" = 1'-0"



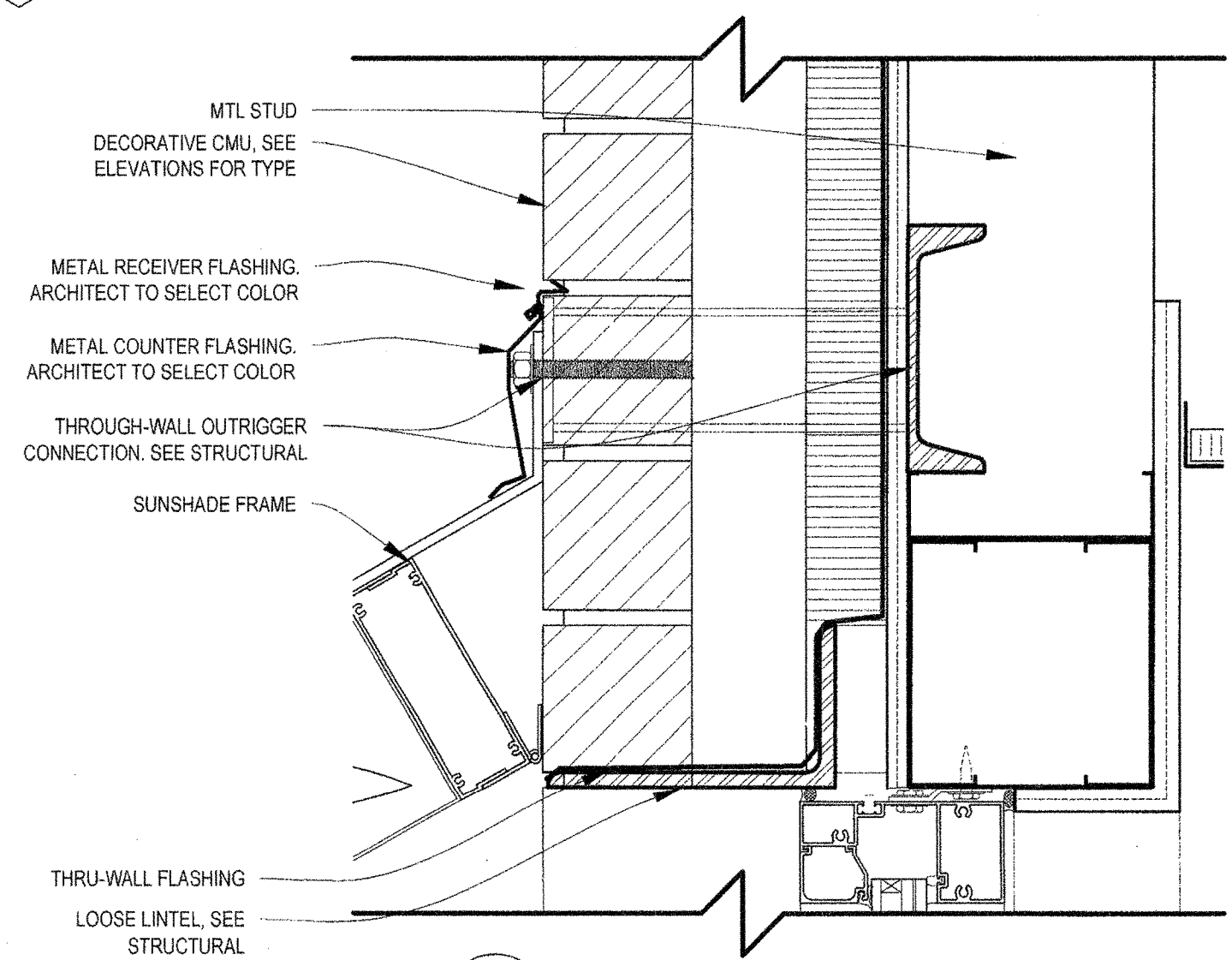
**7 INTERMEDIATE CONNECTION @ METAL STUDS**  
A8.02 / SCALE: 3" = 1'-0"



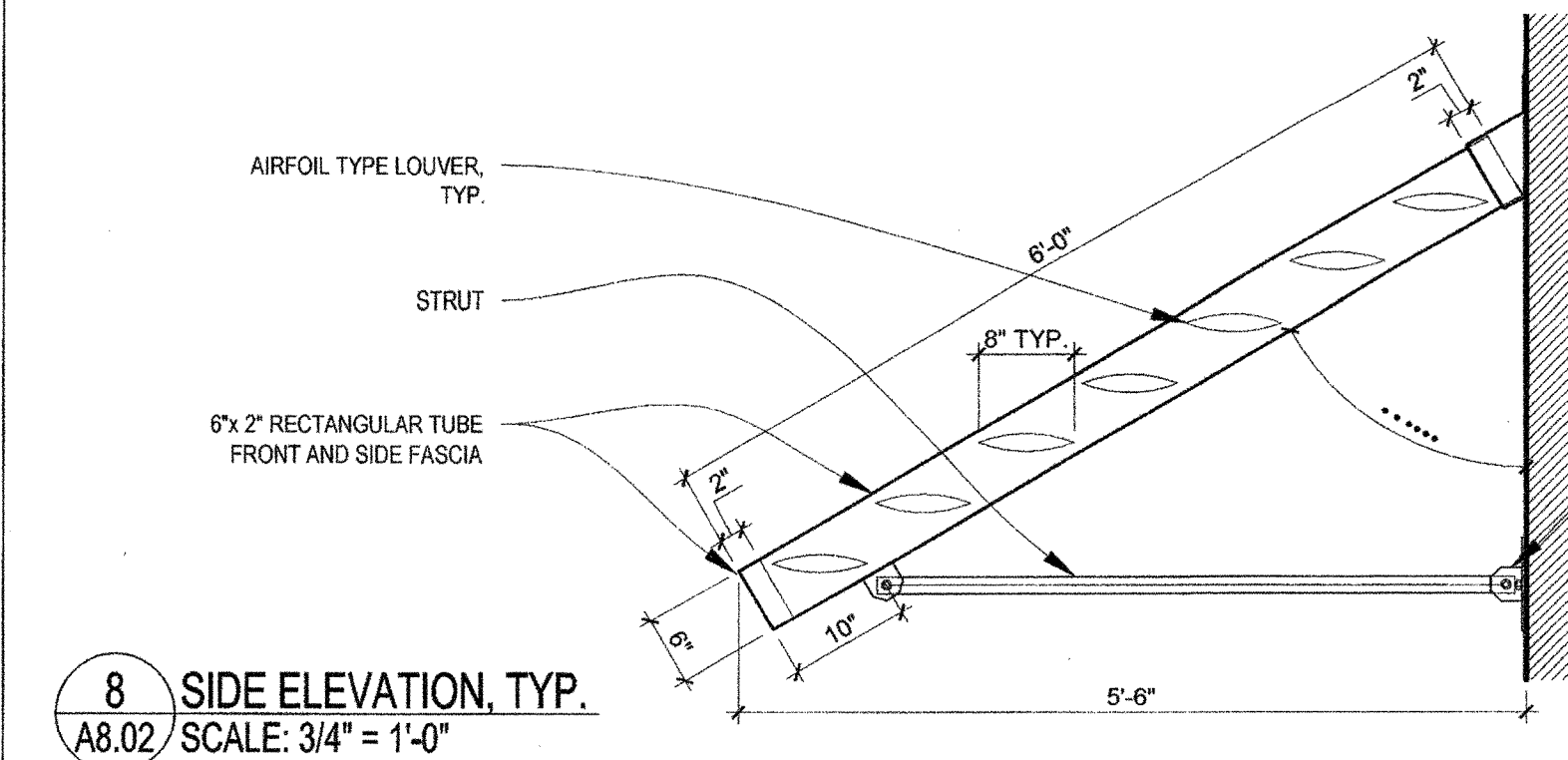
**6 INTERMEDIATE CONNECTION @ CMU**  
A8.02 / SCALE: 3" = 1'-0"



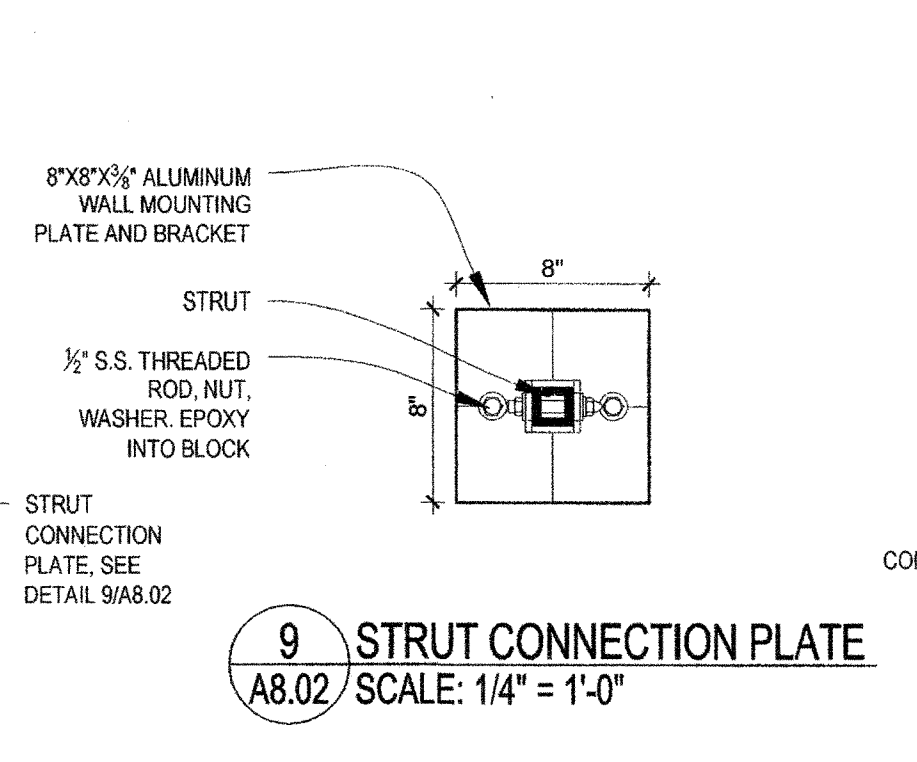
**4 HEADER DETAIL @ CMU**  
A8.02 / SCALE: 3" = 1'-0"



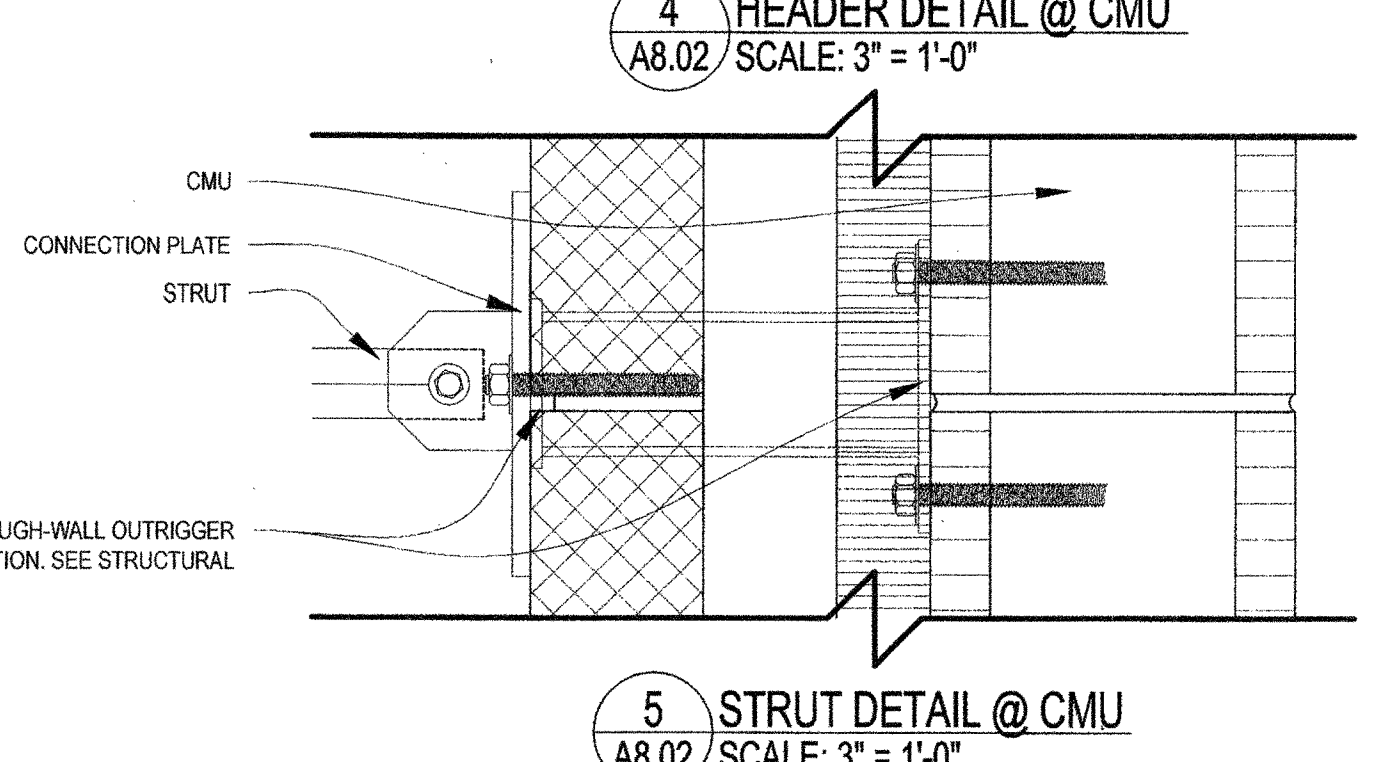
**2 HEADER DETAIL @ METAL STUDS**  
A8.02 / SCALE: 3" = 1'-0"



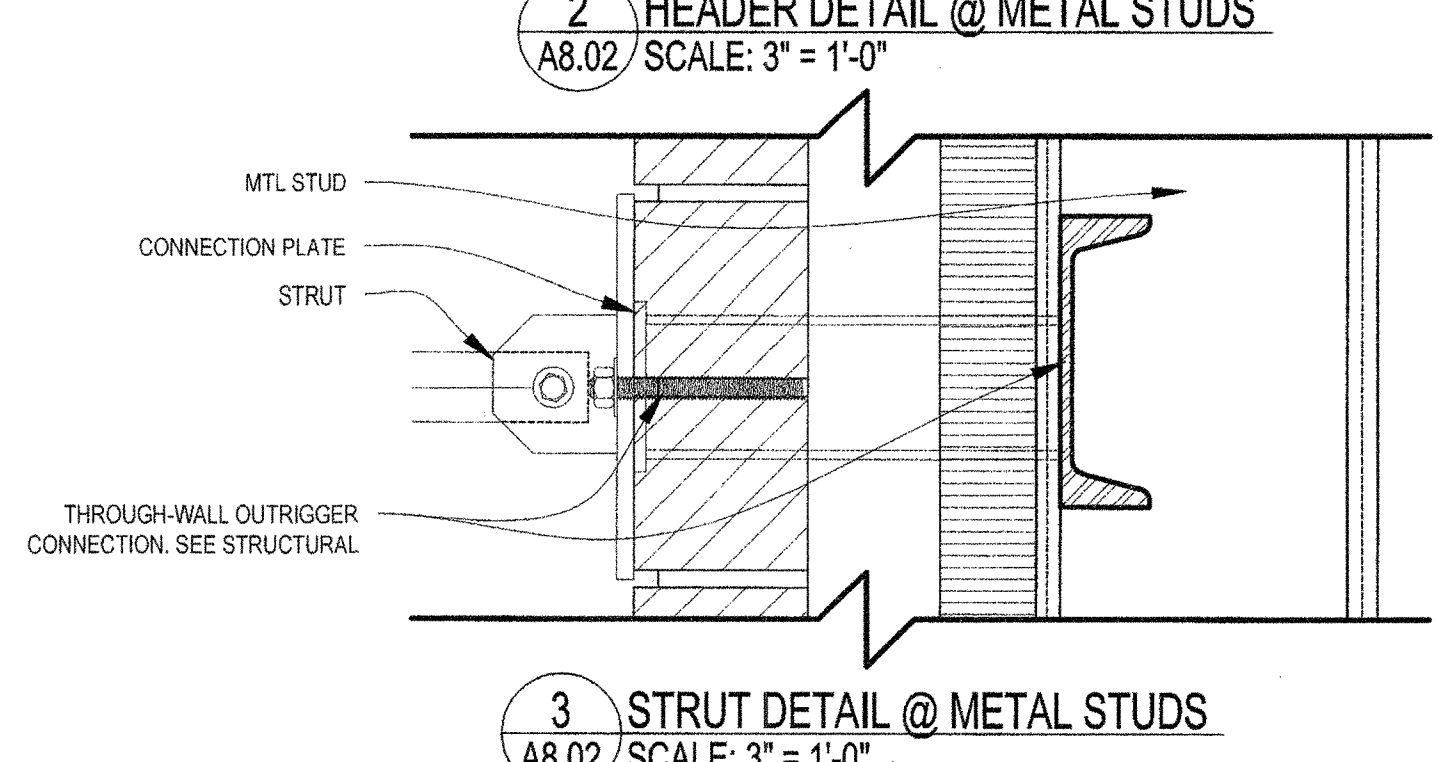
**8 SIDE ELEVATION, TYP.**  
A8.02 / SCALE: 3/4" = 1'-0"



**9 STRUT CONNECTION PLATE**  
A8.02 / SCALE: 1/4" = 1'-0"



**5 STRUT DETAIL @ CMU**  
A8.02 / SCALE: 3" = 1'-0"



**3 STRUT DETAIL @ METAL STUDS**  
A8.02 / SCALE: 3" = 1'-0"