

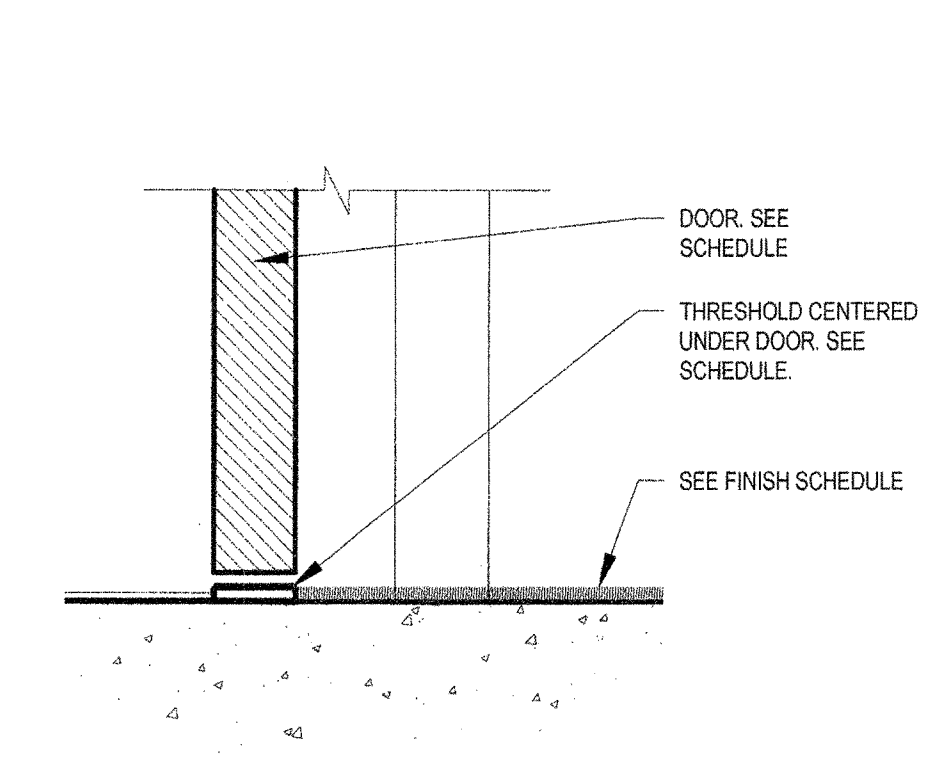
**NEW 3 SECTION ELEMENTARY SCHOOL
AT FISK-HOWARD SCHOOL
RECOVERY SCHOOL DISTRICT**

NEW ORLEANS, LOUISIANA 70119
211 S. LOPEZ STREET

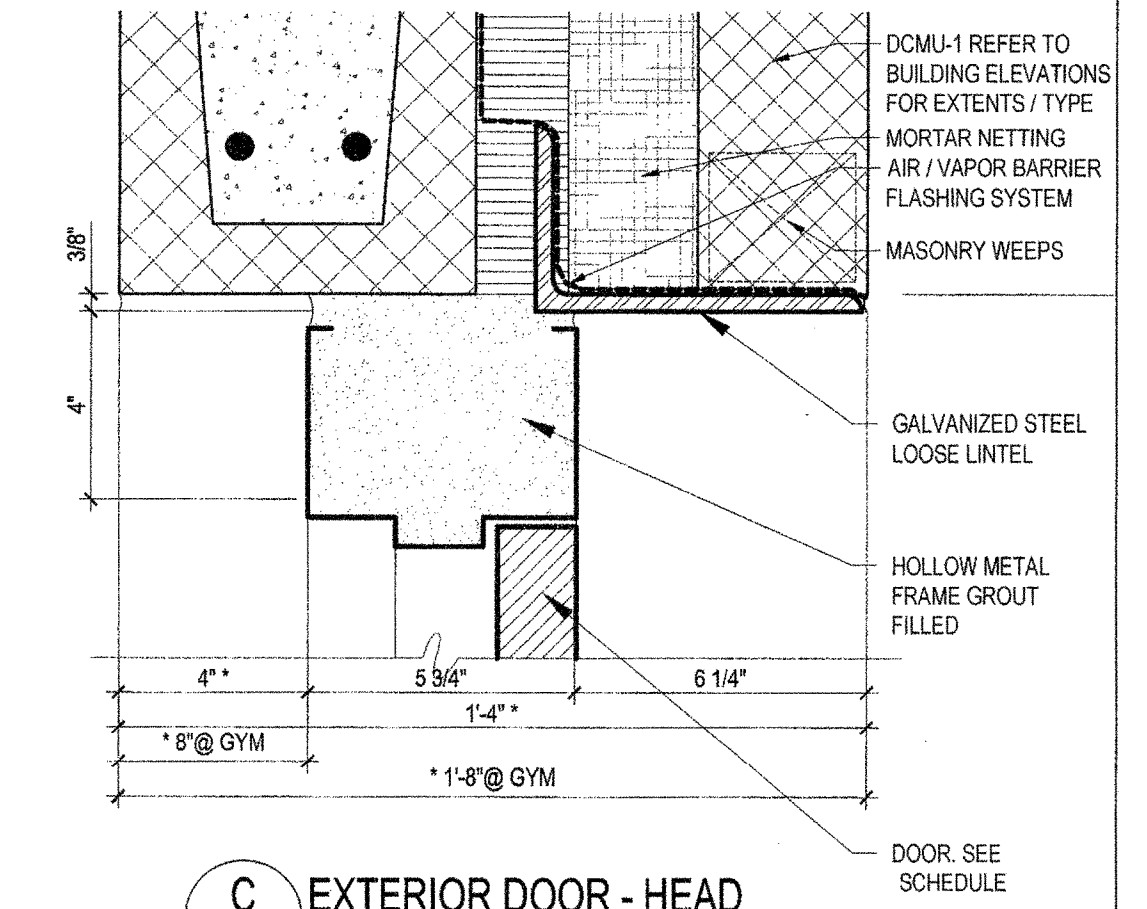
DATE ISSUED: 7 DECEMBER, 2012
REVISED:
REVISED:
REVISED:
REVISED:
DRAWN BY: MKS
CHECKED BY: DGR, JFM
PHASE:

BID DOCUMENTS
11085
TITLE: DOOR OPENING DETAILS
SHEET:

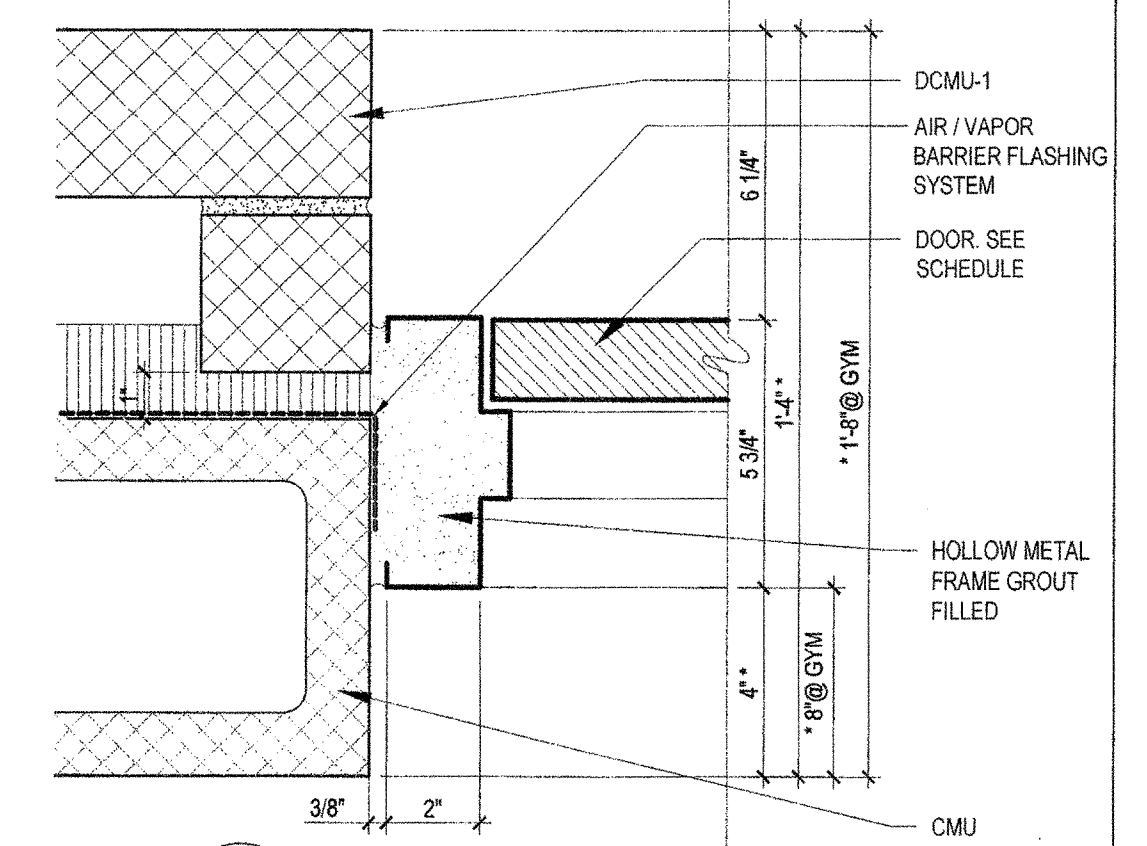
A8.11



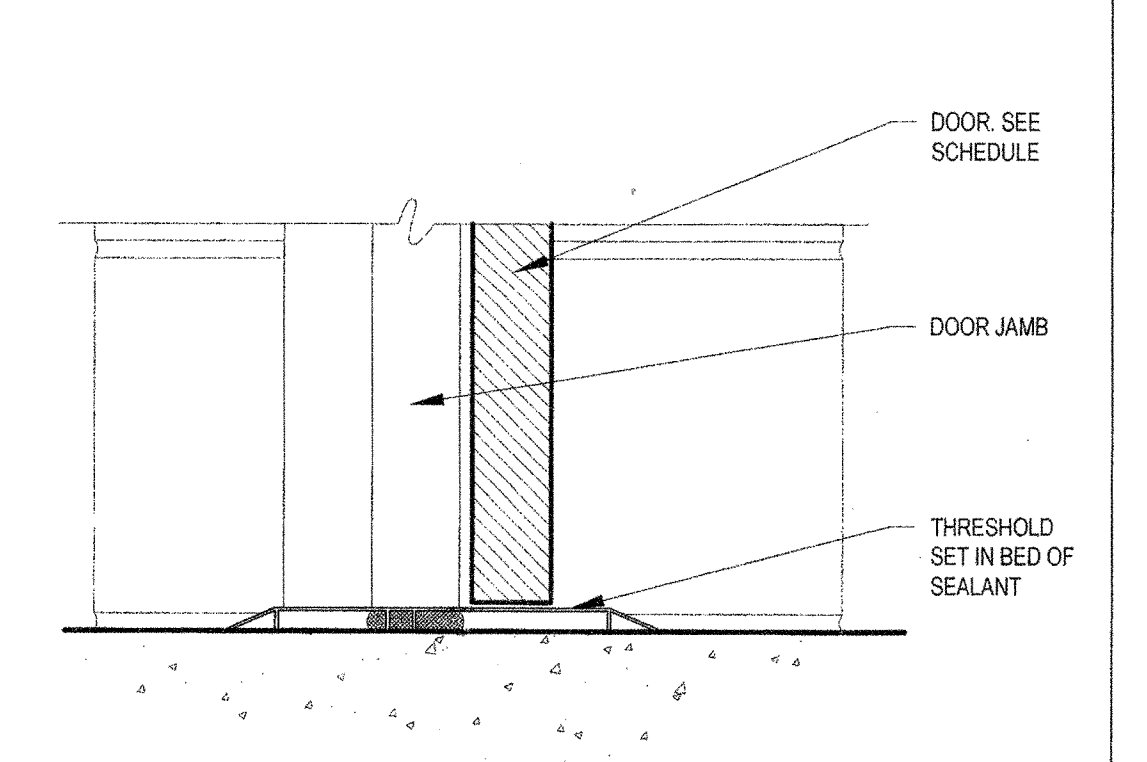
D INTERIOR DOOR - SILL
A8.11 SCALE: 3" = 1'-0"



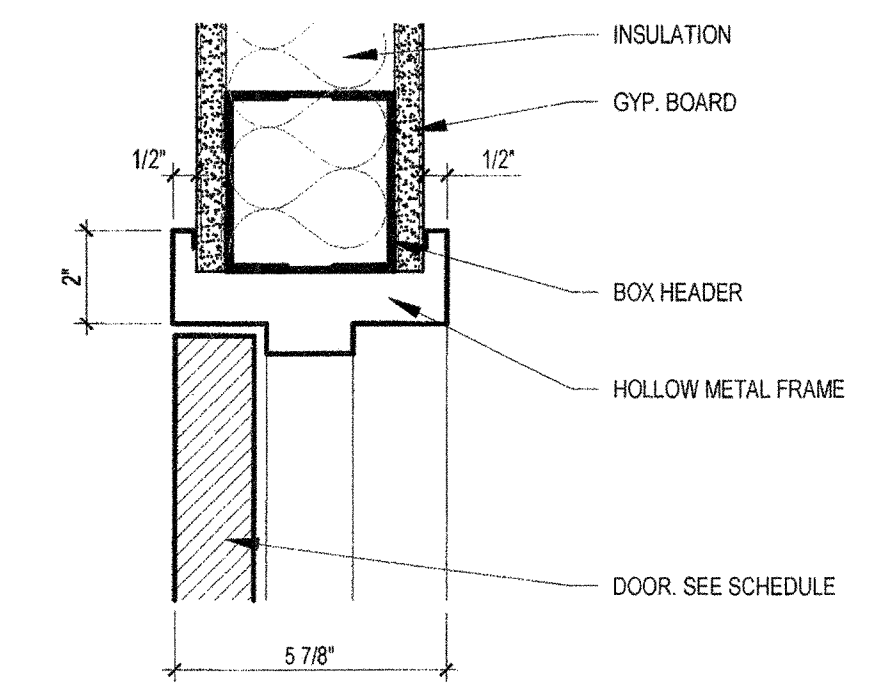
C EXTERIOR DOOR - HEAD
A8.11 SCALE: 3" = 1'-0"



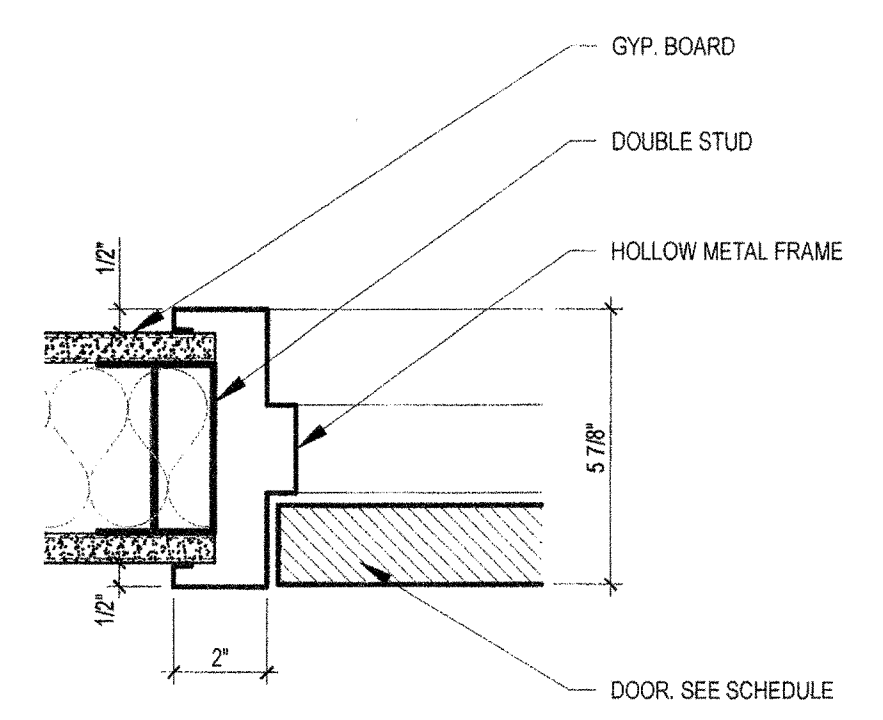
B EXTERIOR DOOR - JAMB
A8.11 SCALE: 3" = 1'-0"



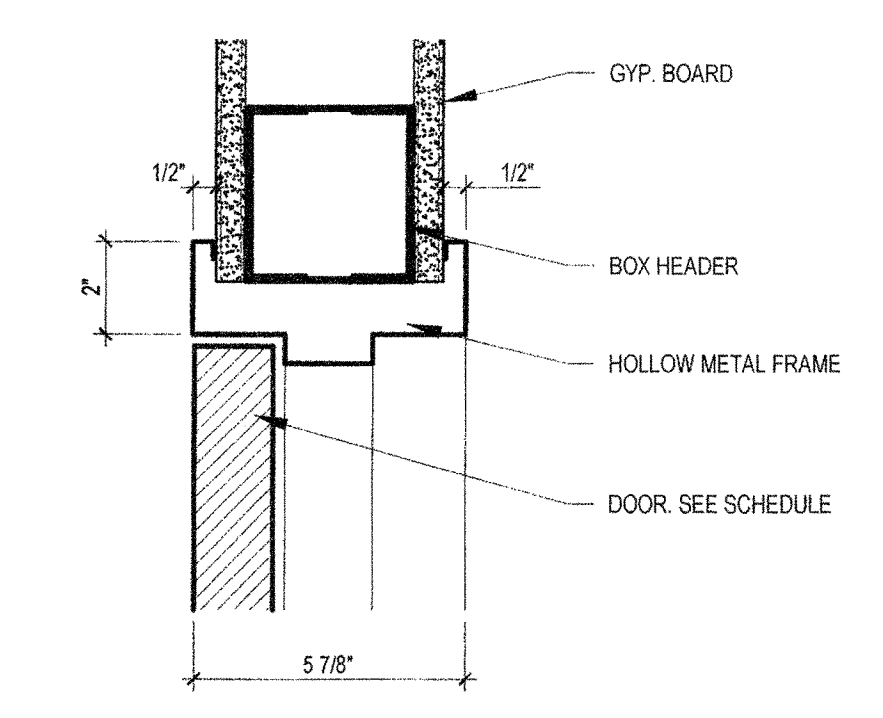
A EXTERIOR DOOR - SILL
A8.11 SCALE: 3" = 1'-0"



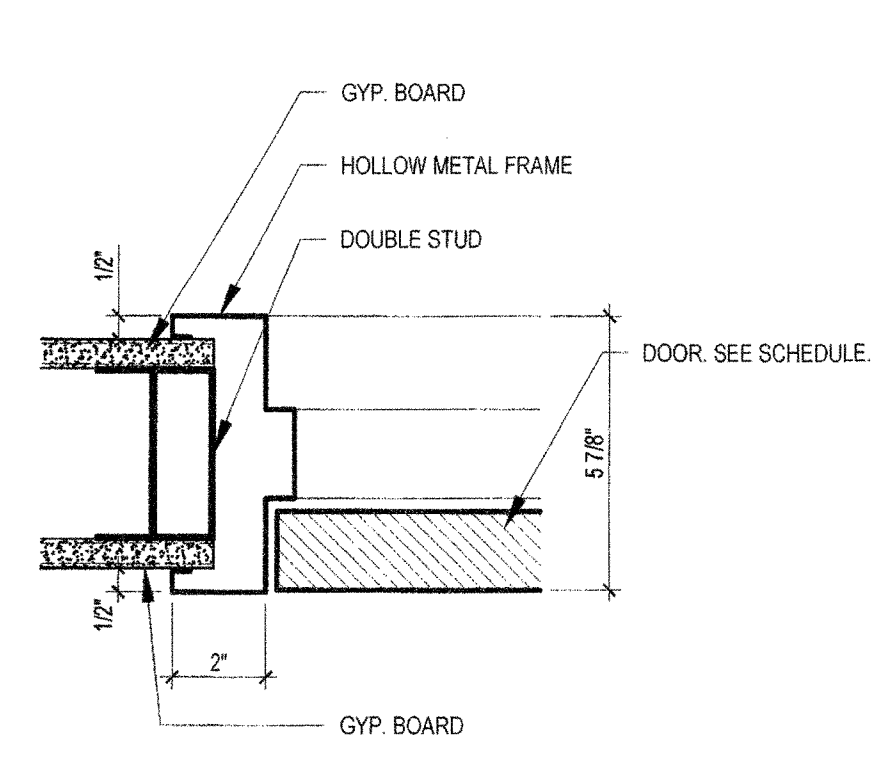
H INTERIOR DOOR - HEAD
A8.11 SCALE: 3" = 1'-0"



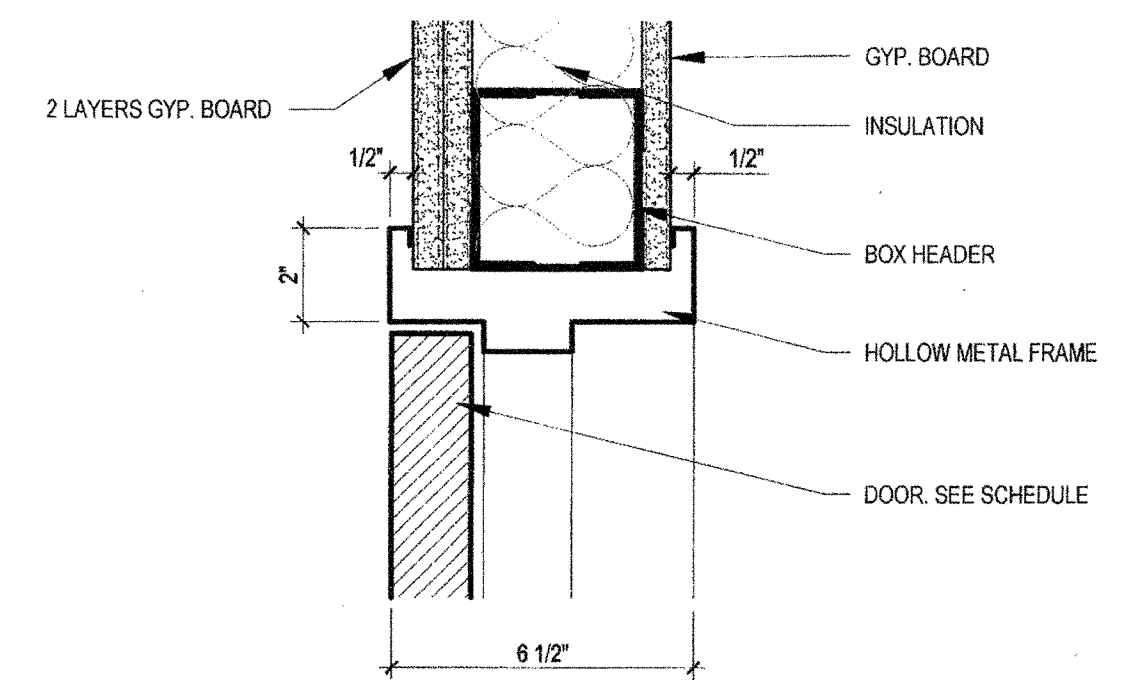
G INTERIOR DOOR - JAMB
A8.11 SCALE: 3" = 1'-0"



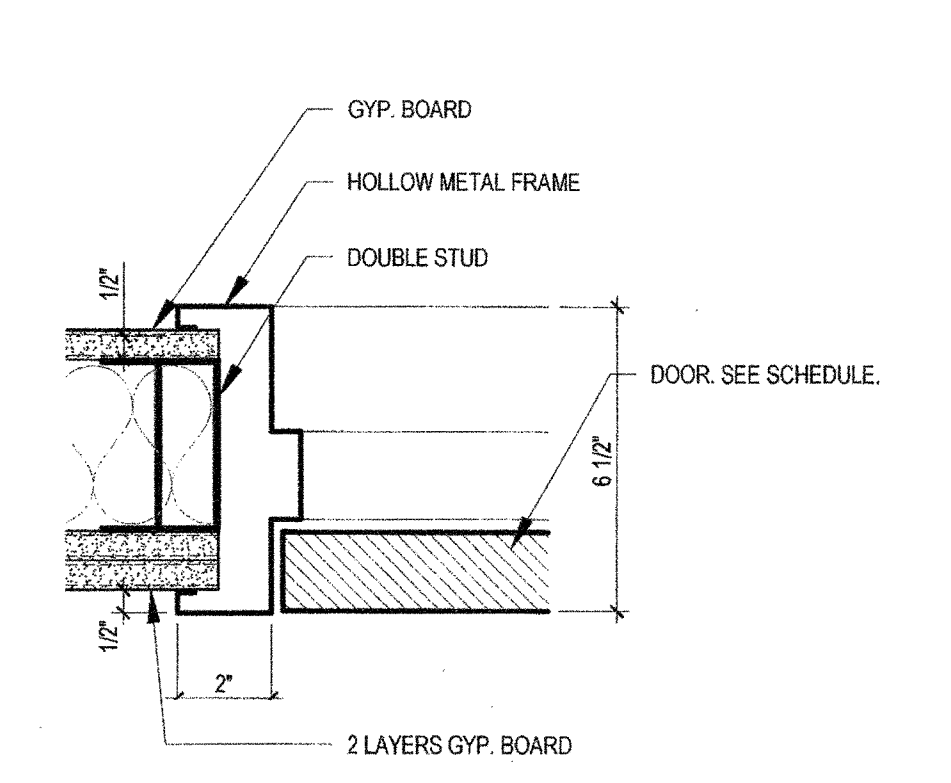
F INTERIOR DOOR - HEAD
A8.11 SCALE: 3" = 1'-0"



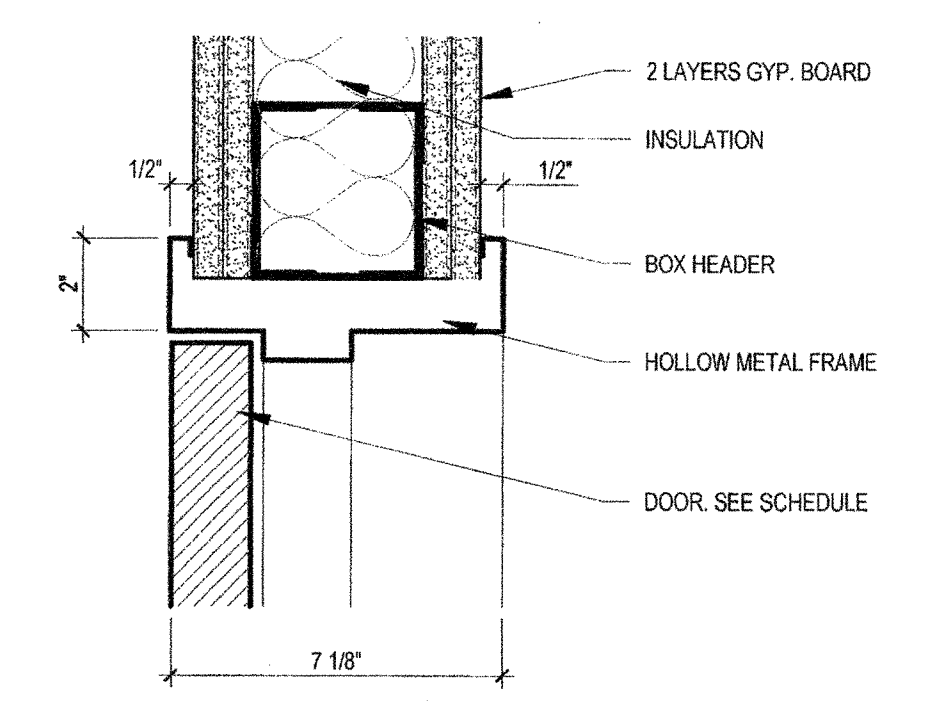
E INTERIOR DOOR - JAMB
A8.11 SCALE: 3" = 1'-0"



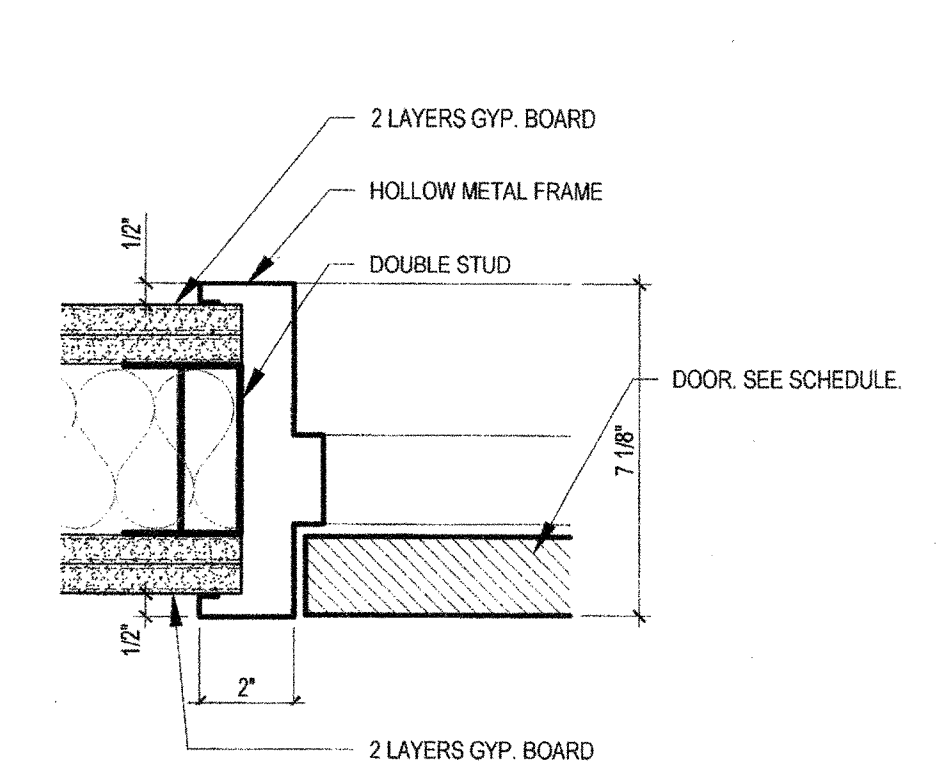
L INTERIOR DOOR - HEAD
A8.11 SCALE: 3" = 1'-0"



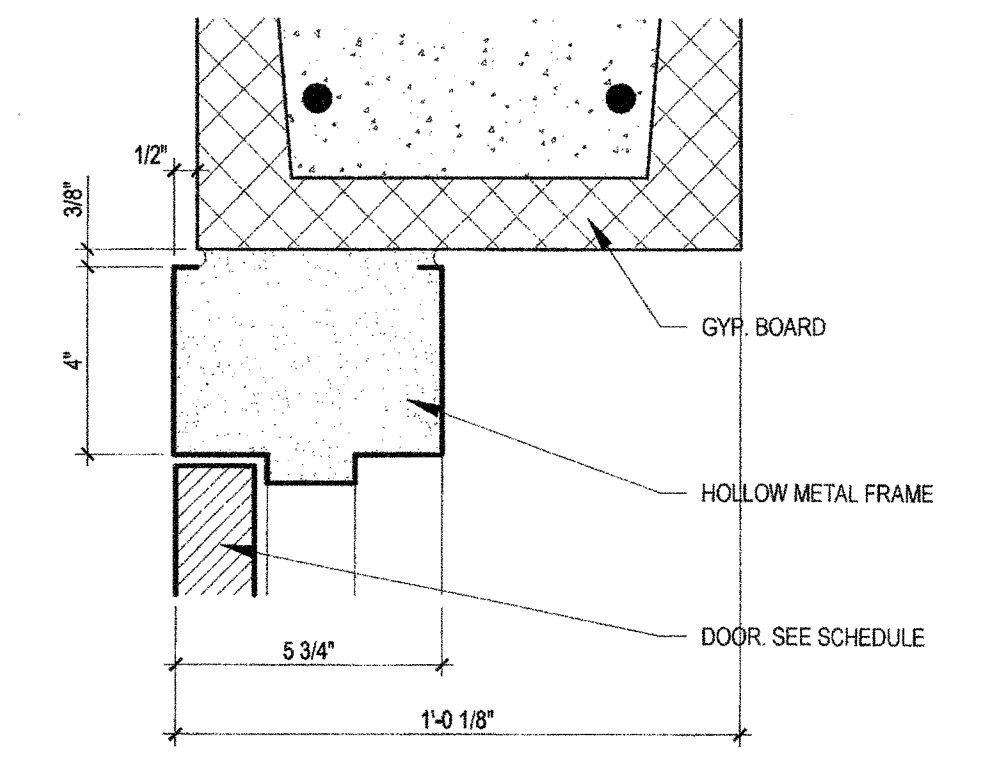
K INTERIOR DOOR - JAMB
A8.11 SCALE: 3" = 1'-0"



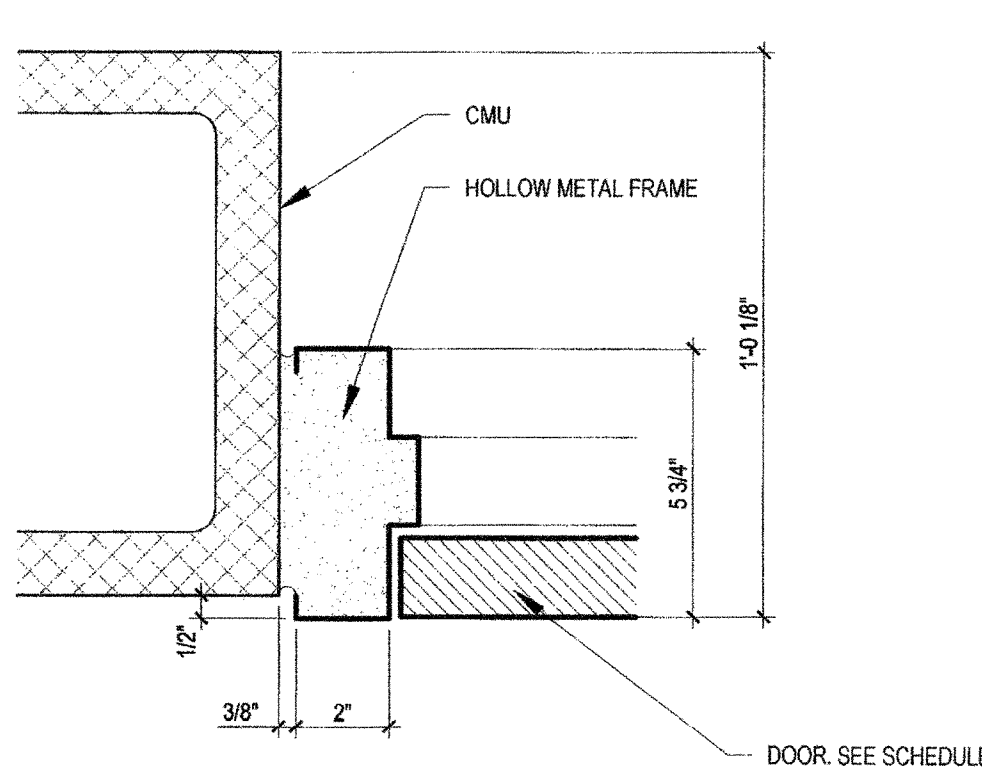
J INTERIOR DOOR - HEAD
A8.11 SCALE: 3" = 1'-0"



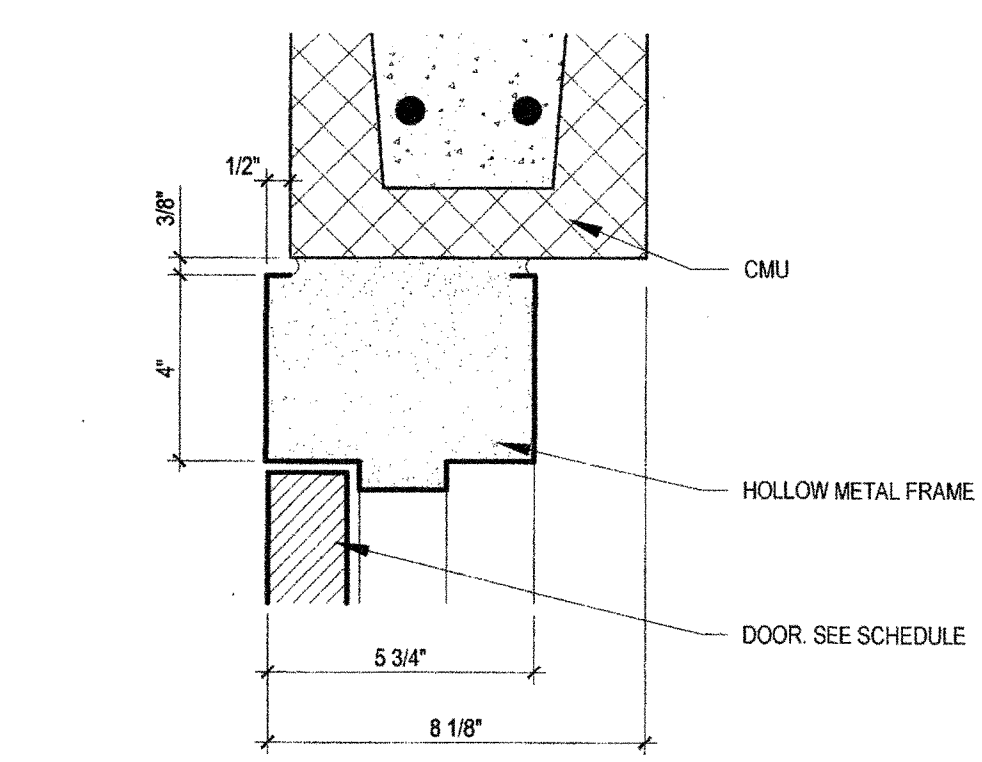
I INTERIOR DOOR - JAMB
A8.11 SCALE: 3" = 1'-0"



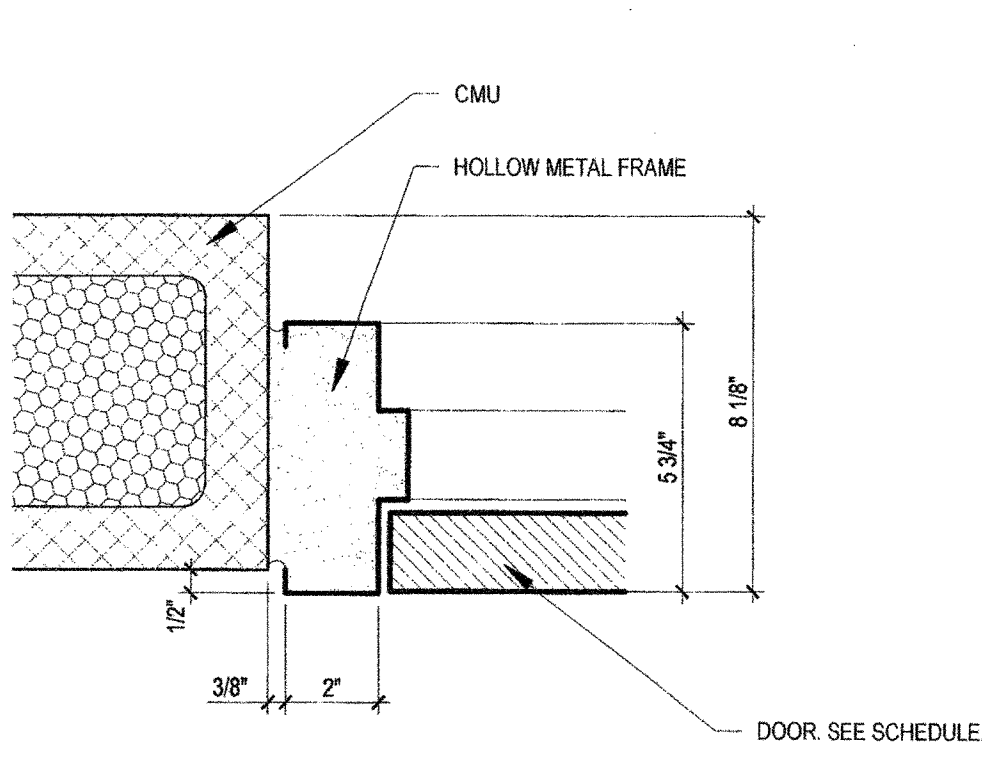
P INTERIOR DOOR - HEAD
A8.11 SCALE: 3" = 1'-0"



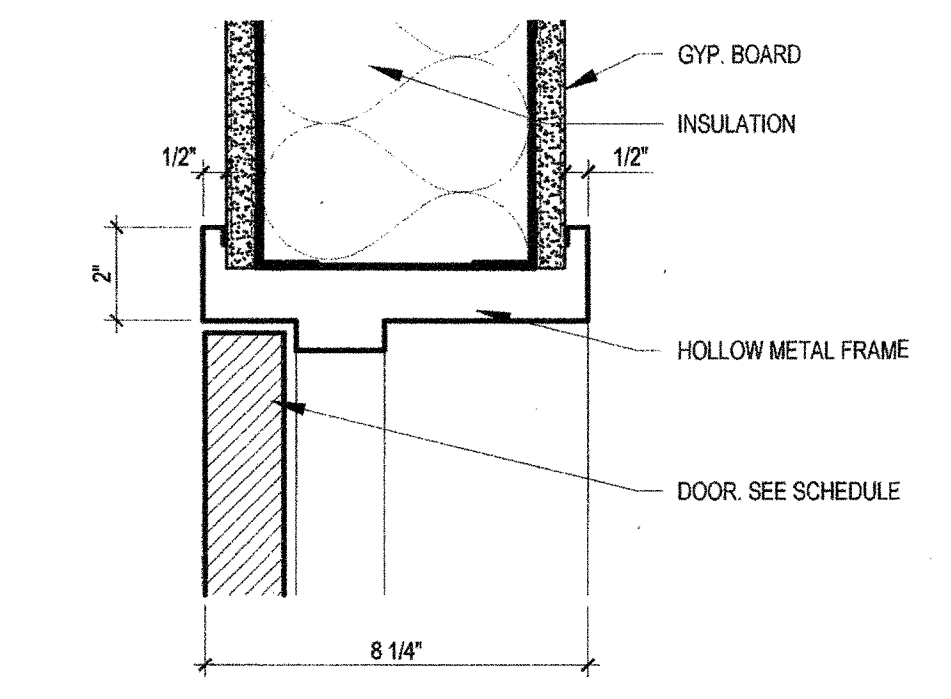
O INTERIOR DOOR - JAMB
A8.11 SCALE: 3" = 1'-0"



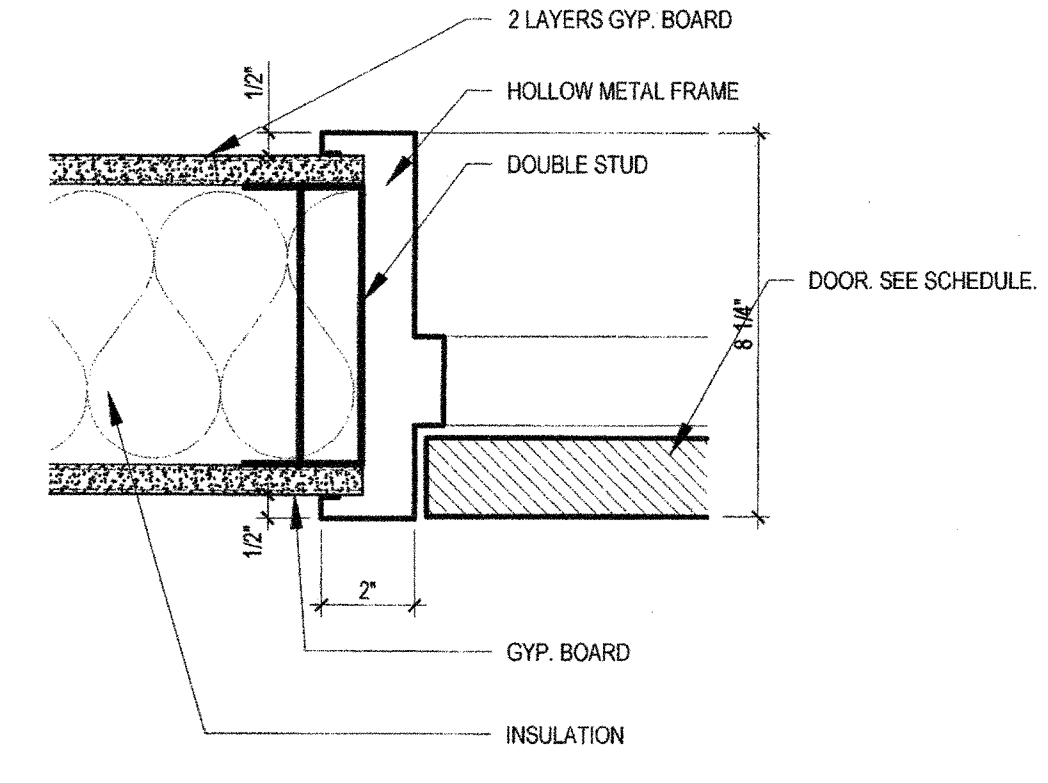
N INTERIOR DOOR - HEAD
A8.11 SCALE: 3" = 1'-0"



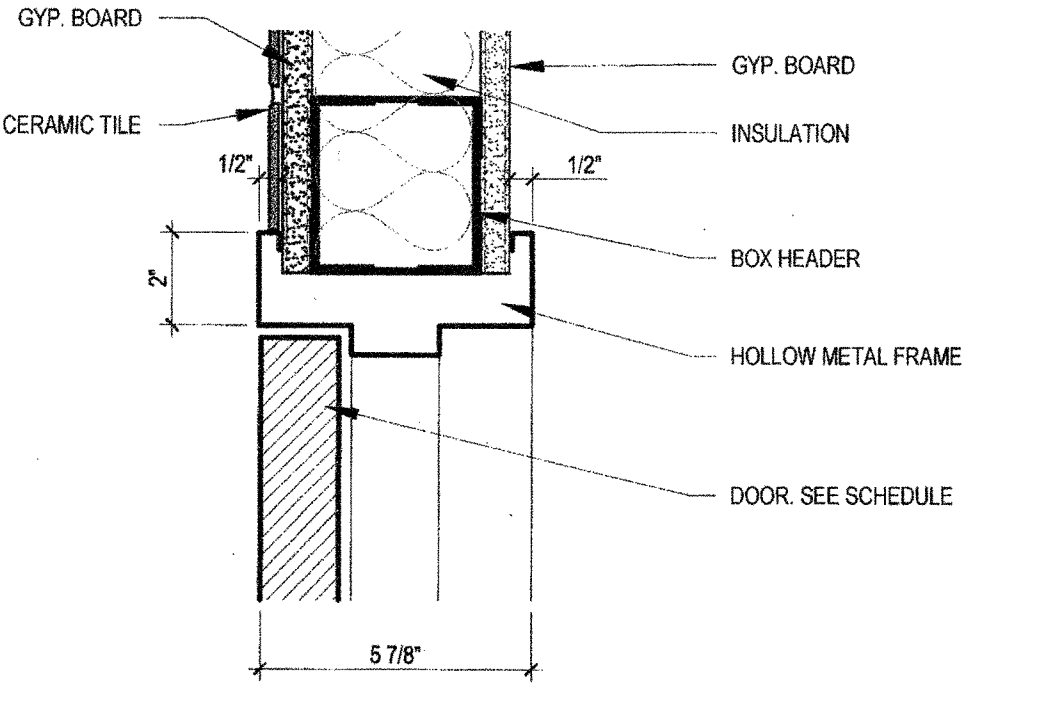
M INTERIOR DOOR - JAMB
A8.11 SCALE: 3" = 1'-0"



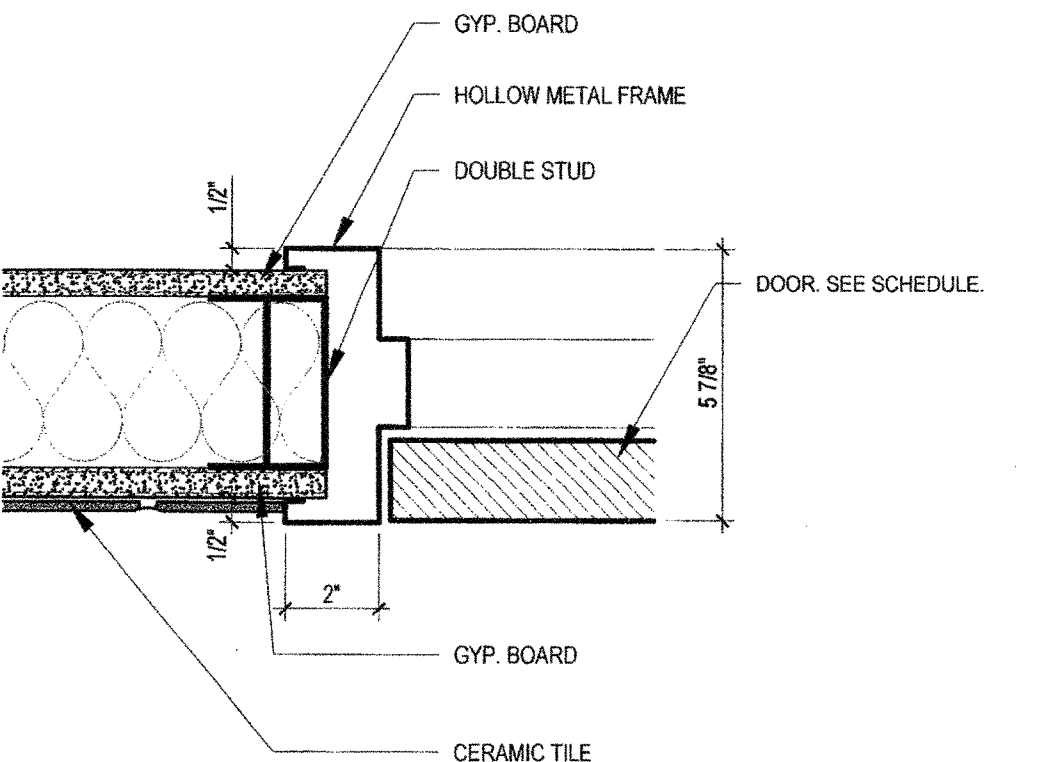
T INTERIOR DOOR - HEAD
A8.11 SCALE: 3" = 1'-0"



S INTERIOR DOOR - JAMB
A8.11 SCALE: 3" = 1'-0"



R INTERIOR DOOR - HEAD
A8.11 SCALE: 3" = 1'-0"



Q INTERIOR DOOR - JAMB
A8.11 SCALE: 3" = 1'-0"