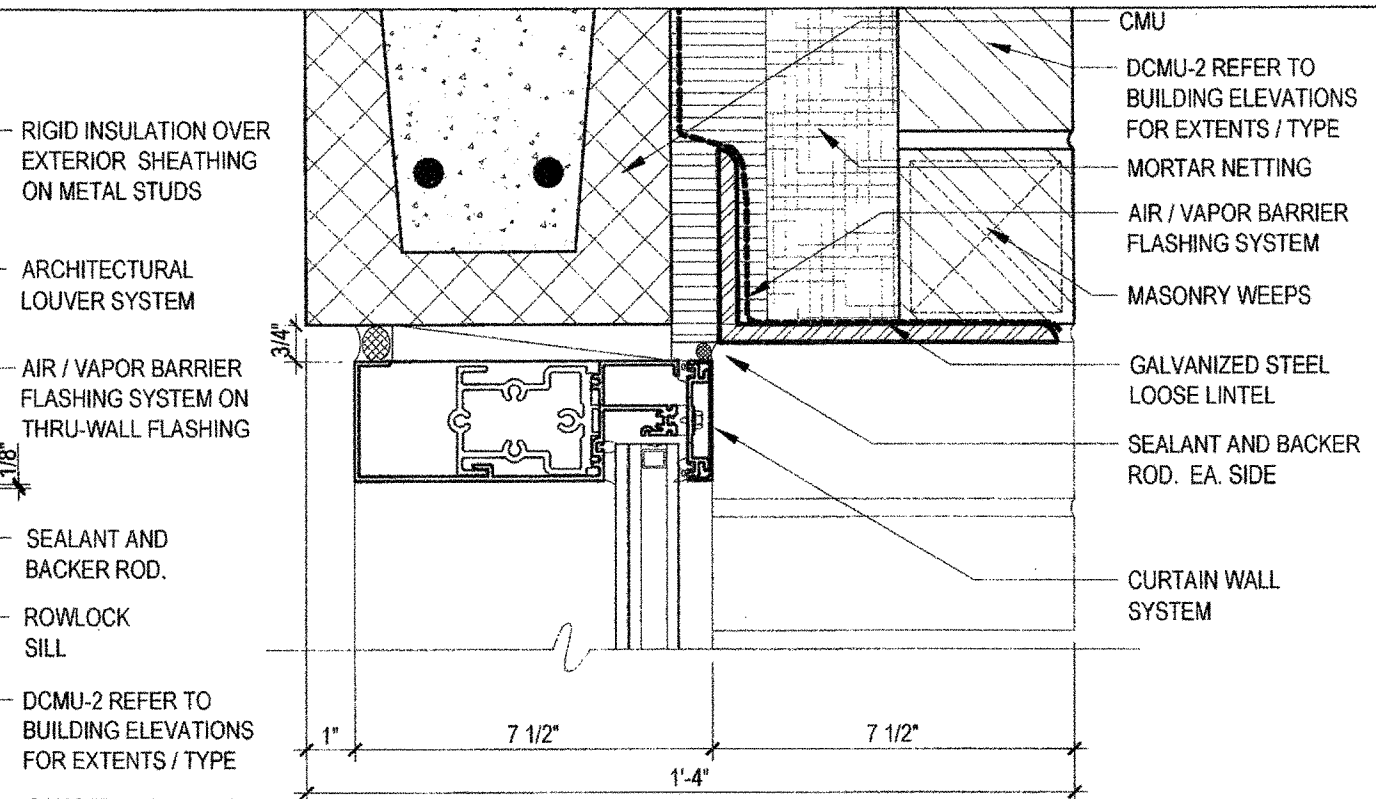
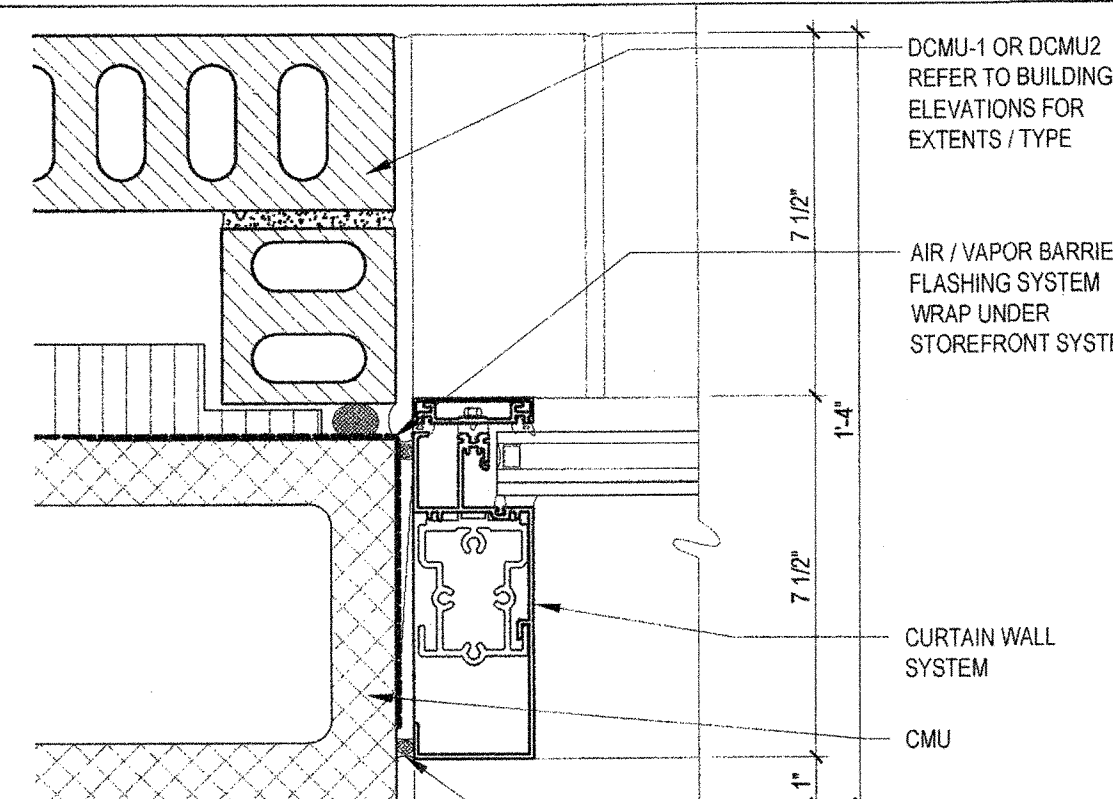


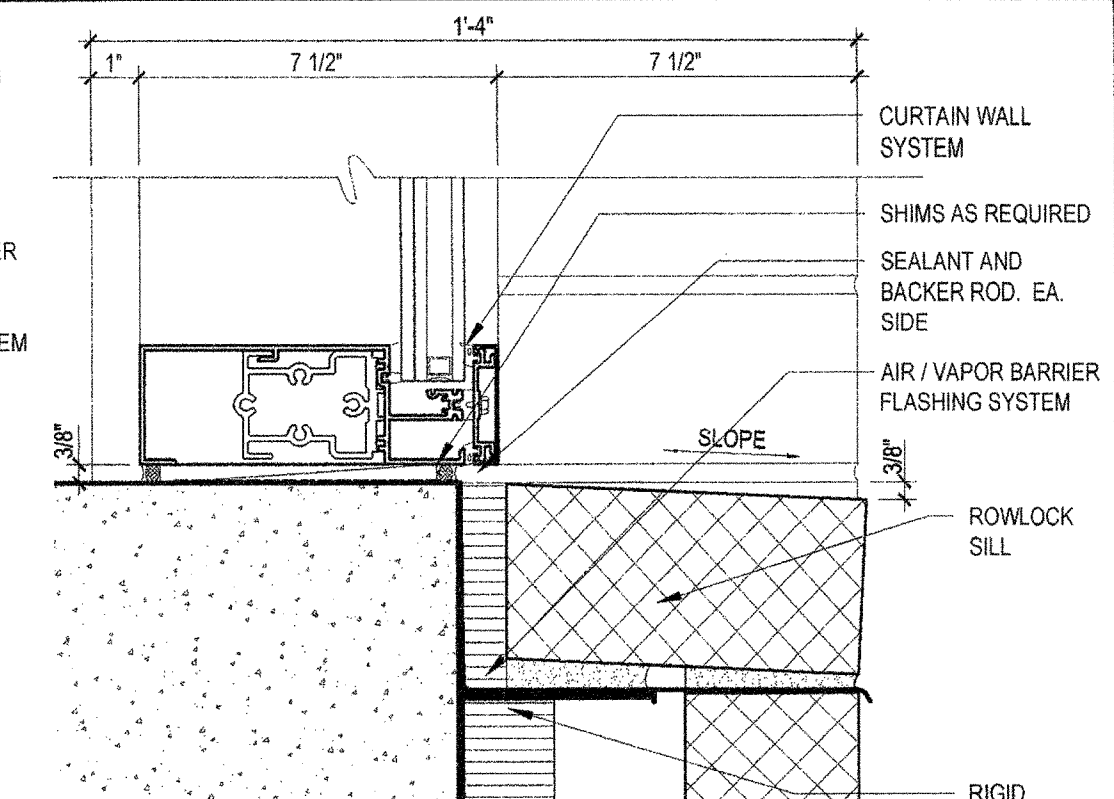
U ARCH. LOUVERS-HEAD
A8.12 / SCALE: 3" = 1'-0"



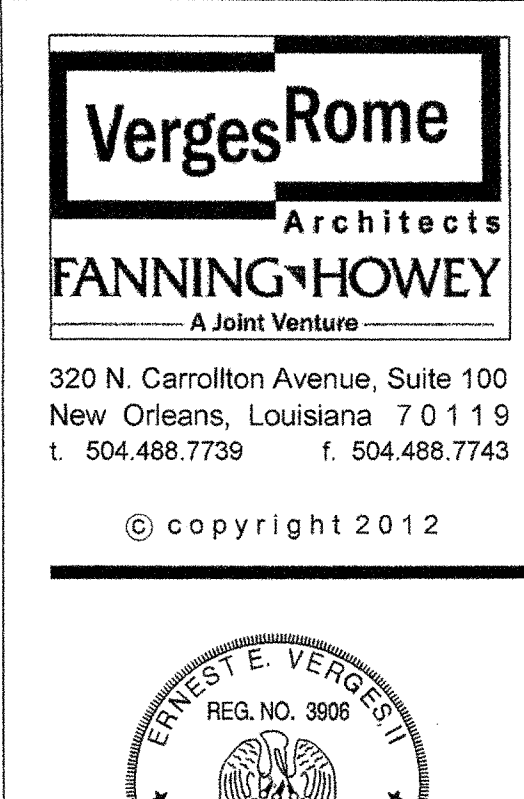
T ARCH. LOUVERS-JAMB
A8.12 / SCALE: 3" = 1'-0"



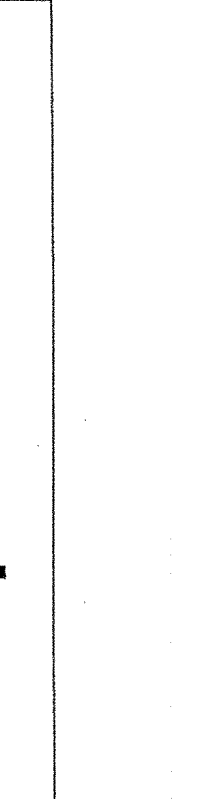
P ARCH. LOUVERS-SILL
A8.12 / SCALE: 3" = 1'-0"



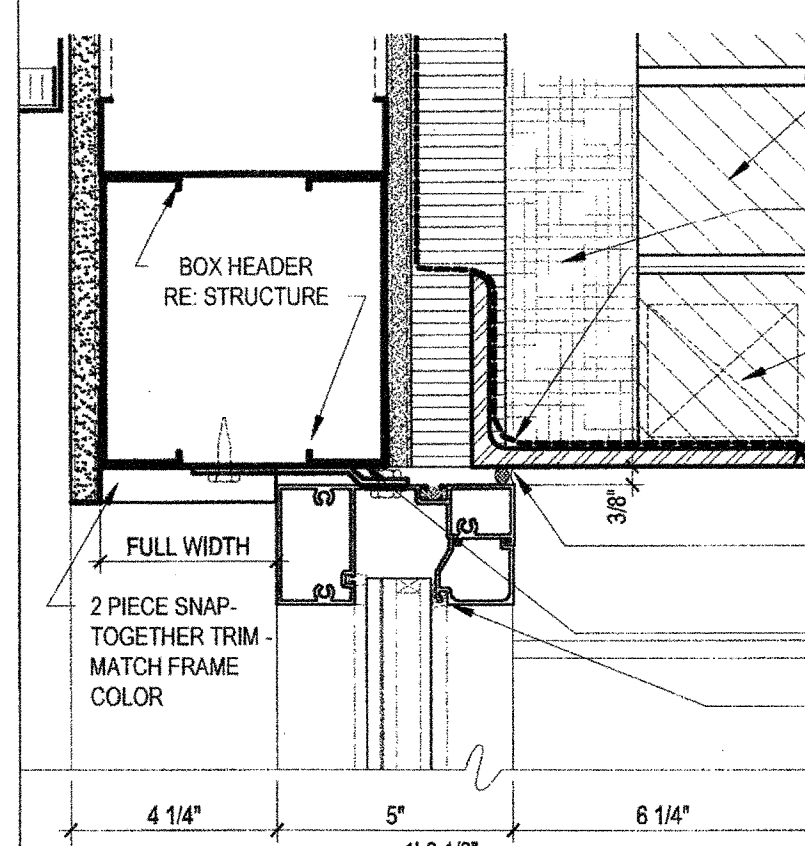
L CURTAIN WALL - HEAD
A8.12 / SCALE: 3" = 1'-0"



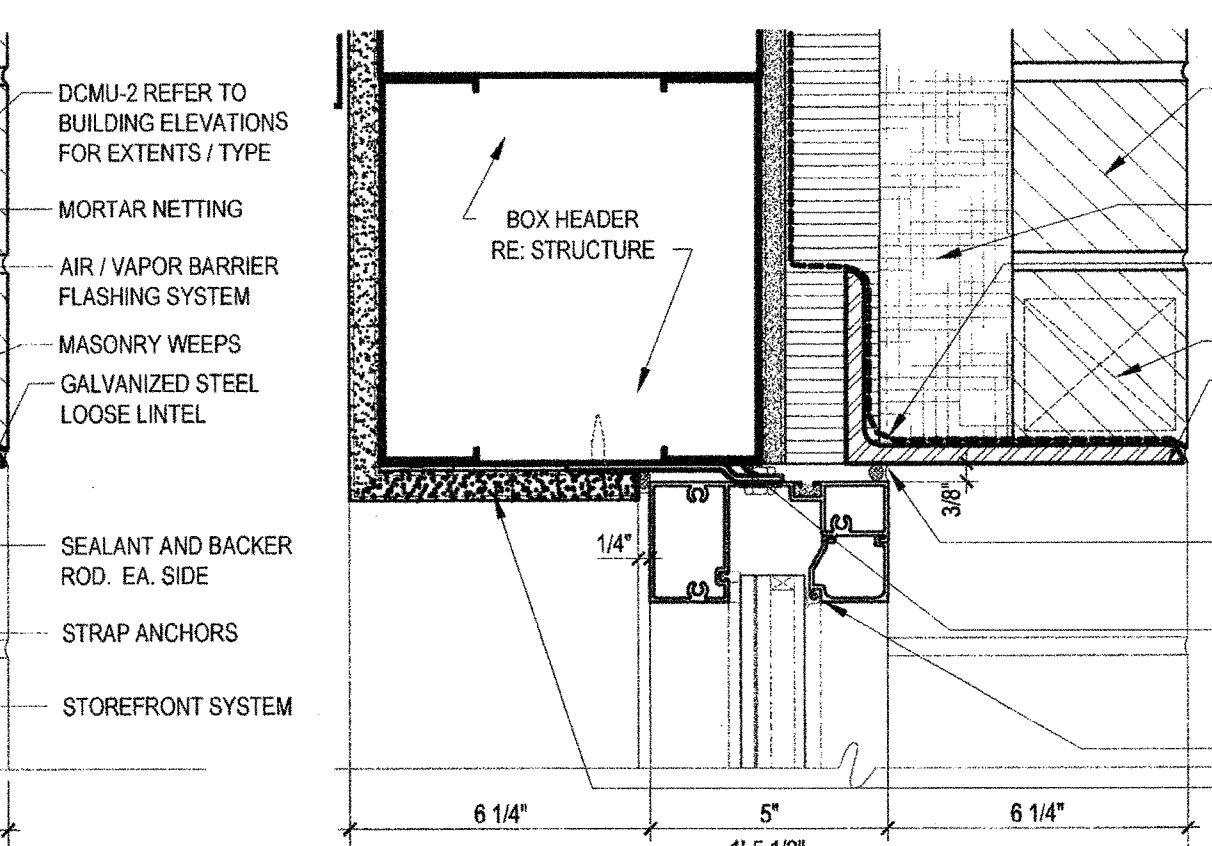
H CURTAIN WALL - JAMB
A8.12 / SCALE: 3" = 1'-0"



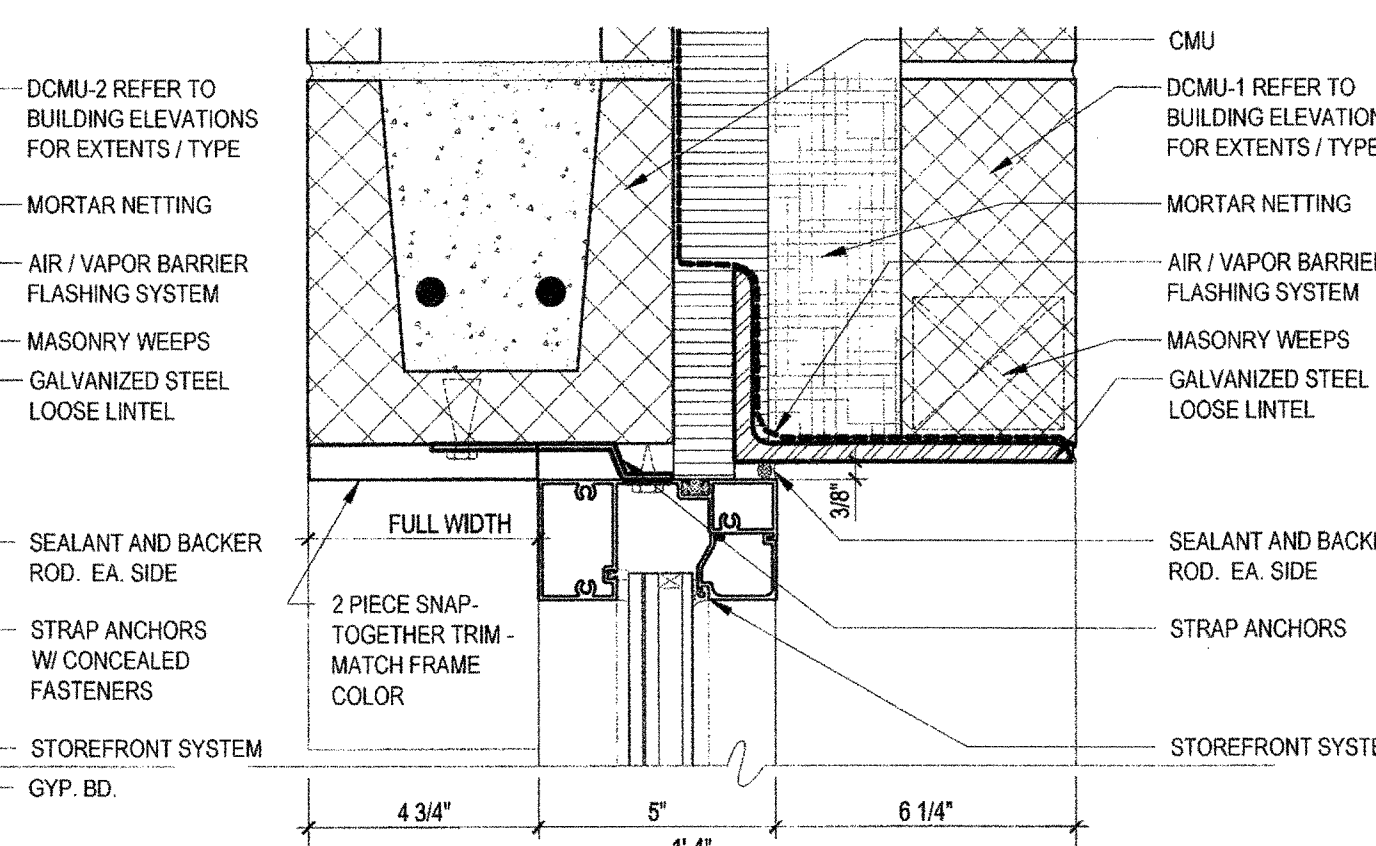
D CURTAIN WALL - SILL
A8.12 / SCALE: 3" = 1'-0"



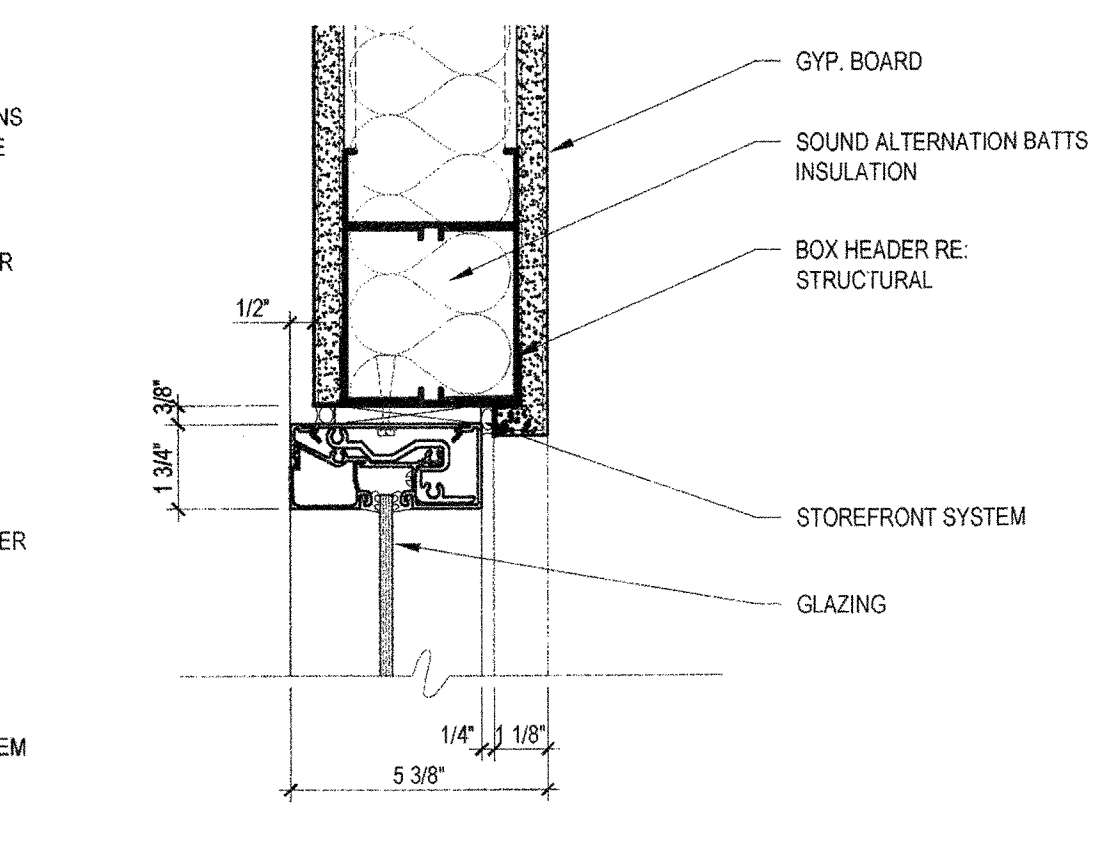
S EXTERIOR SF - METAL STUD HEAD
A8.12 / SCALE: 3" = 1'-0"



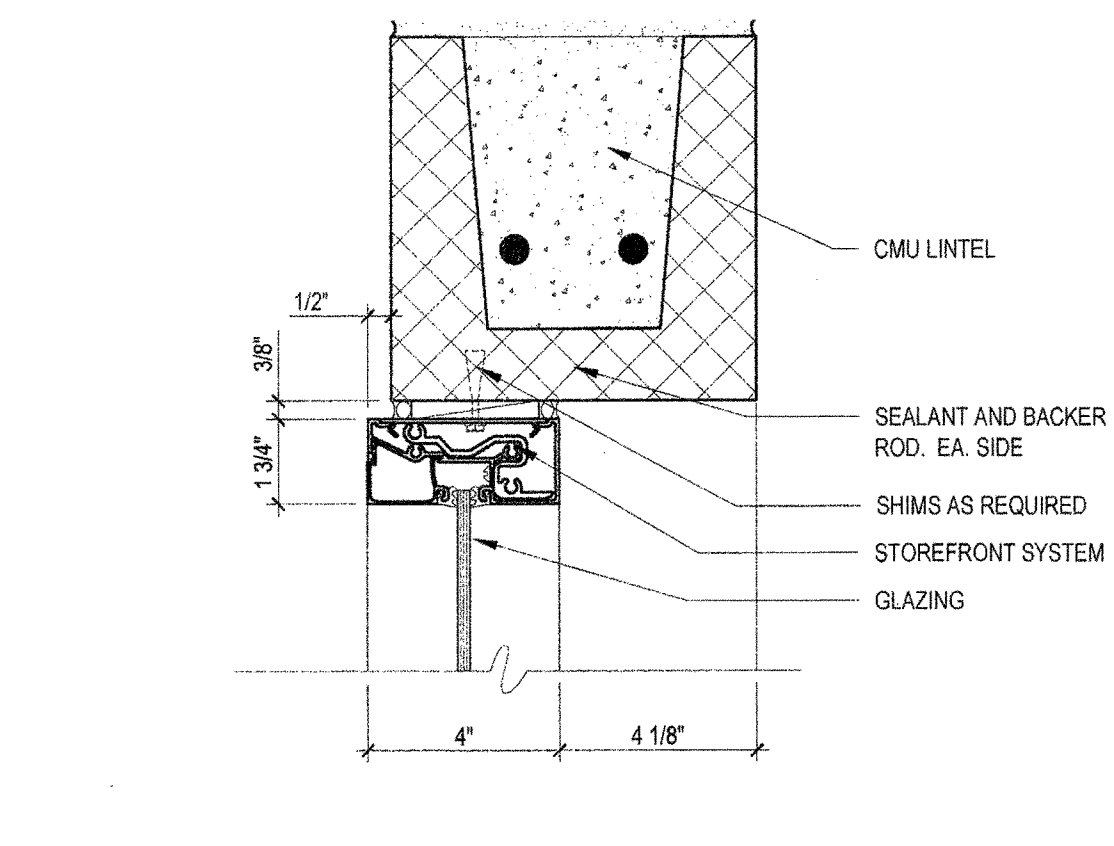
O EXTERIOR SF - METAL STUD HEAD
A8.12 / SCALE: 3" = 1'-0"



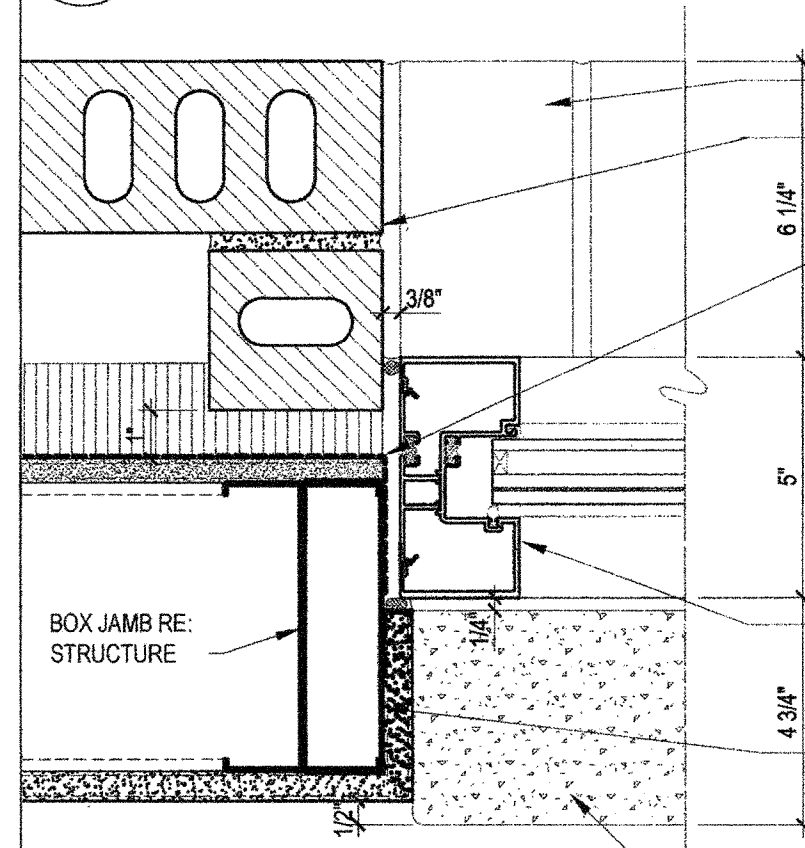
K EXTERIOR SF - CMU HEAD
A8.12 / SCALE: 3" = 1'-0"



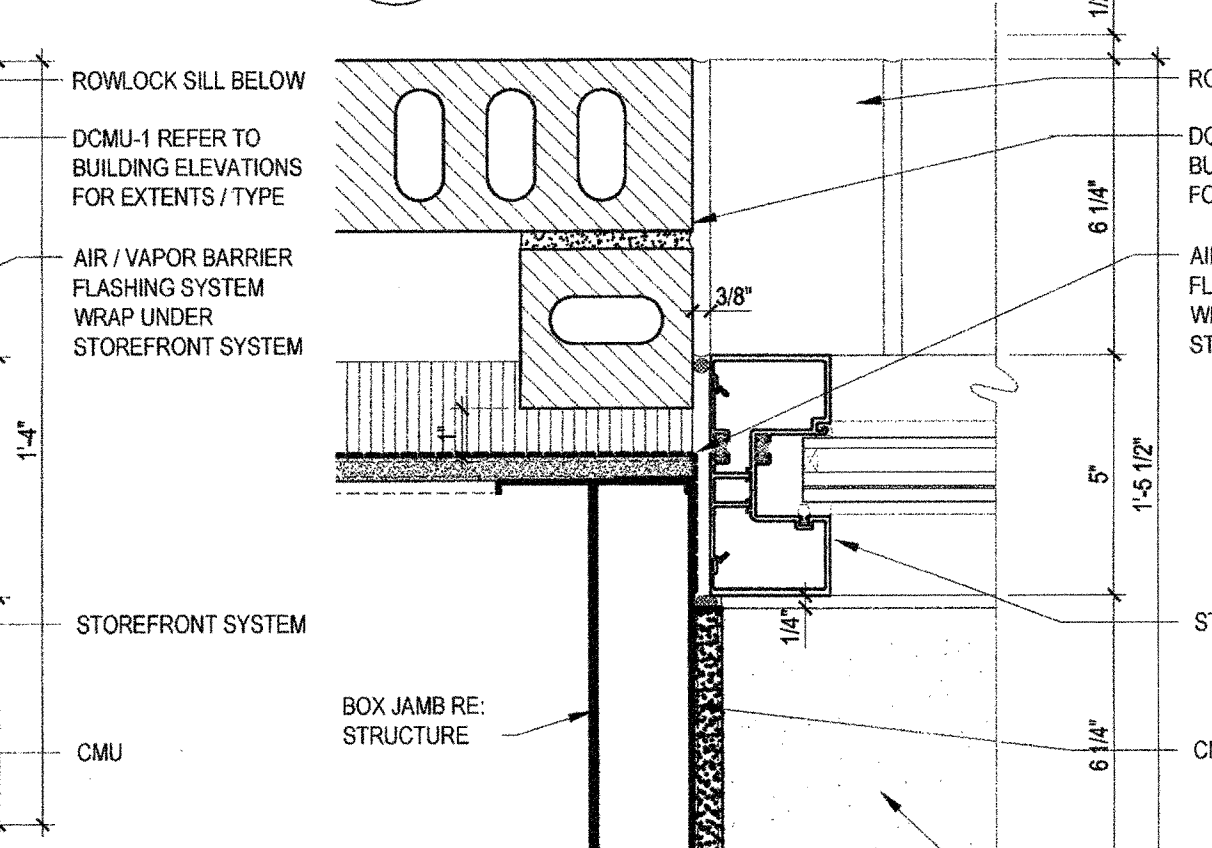
G INTERIOR SF - METAL STUD HEAD
A8.12 / SCALE: 3" = 1'-0"



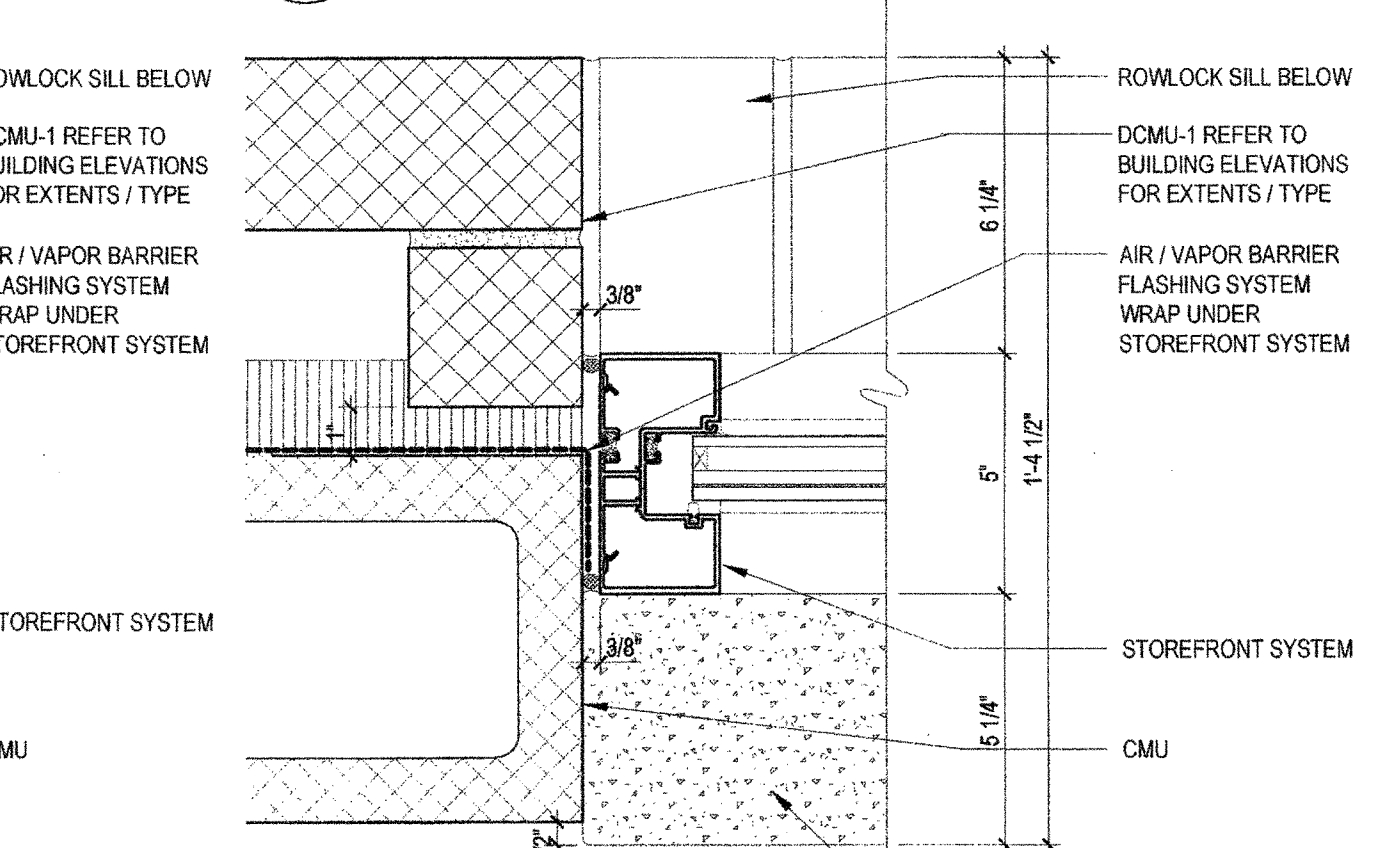
C INTERIOR SF - CMU HEAD
A8.12 / SCALE: 3" = 1'-0"



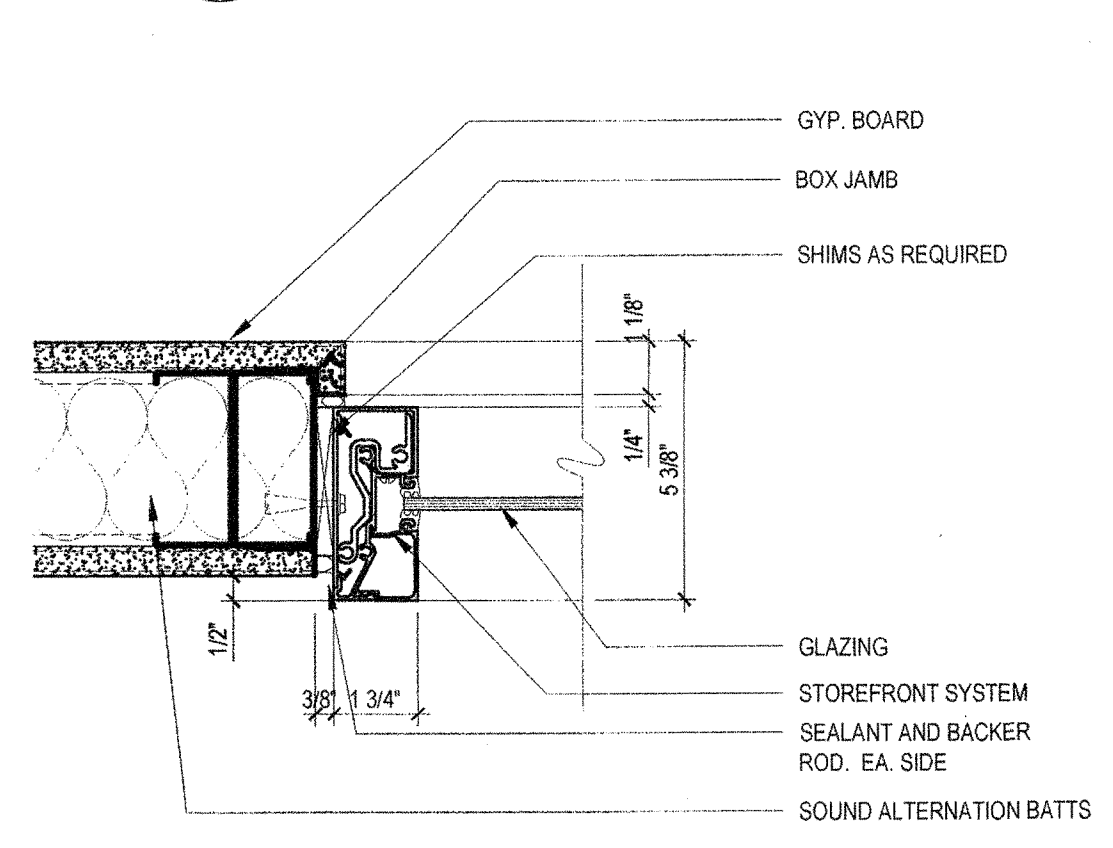
R EXTERIOR SF - METAL STUD JAMB
A8.12 / SCALE: 3" = 1'-0"



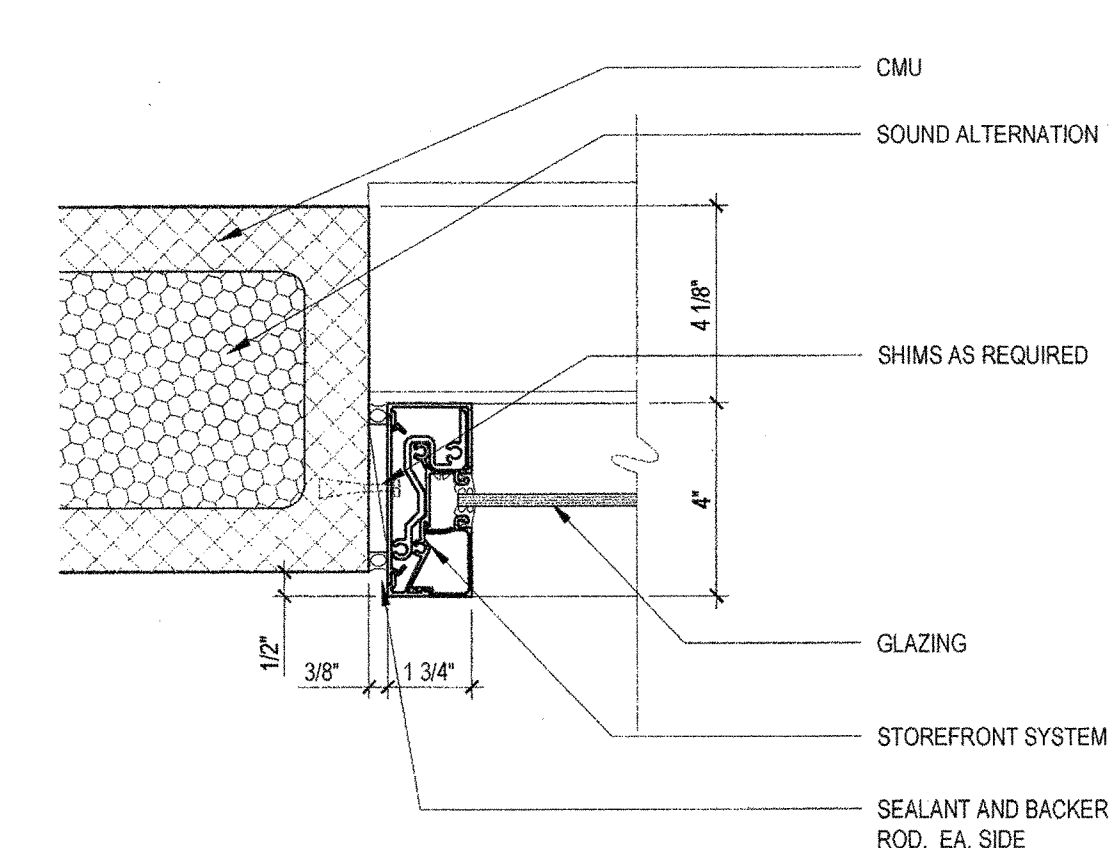
N EXTERIOR SF - METAL STUD JAMB
A8.12 / SCALE: 3" = 1'-0"



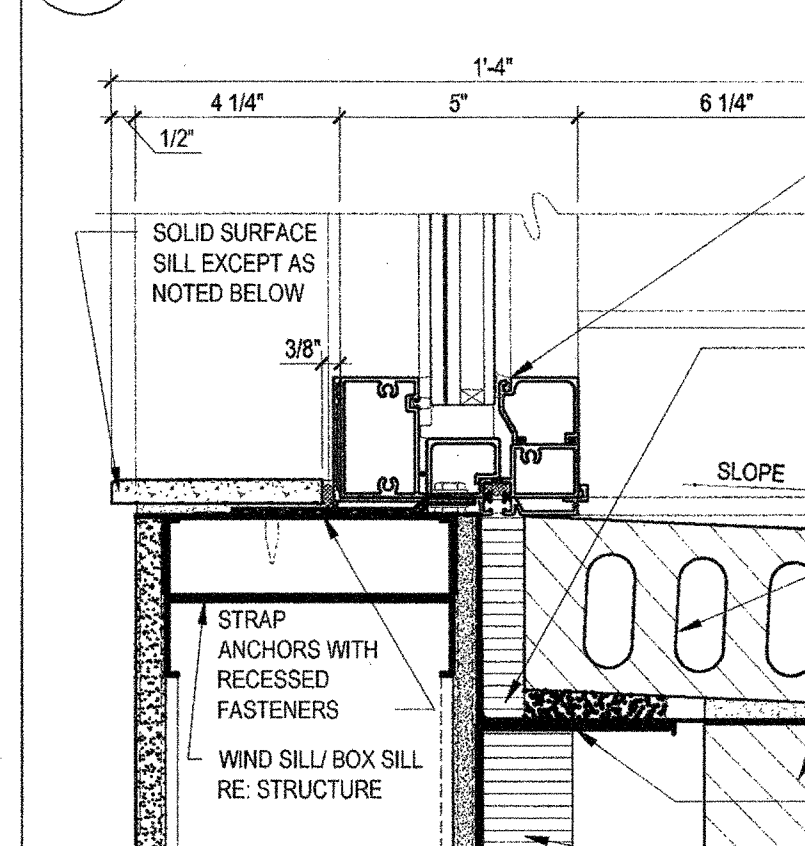
J EXTERIOR SF - CMU JAMB
A8.12 / SCALE: 3" = 1'-0"



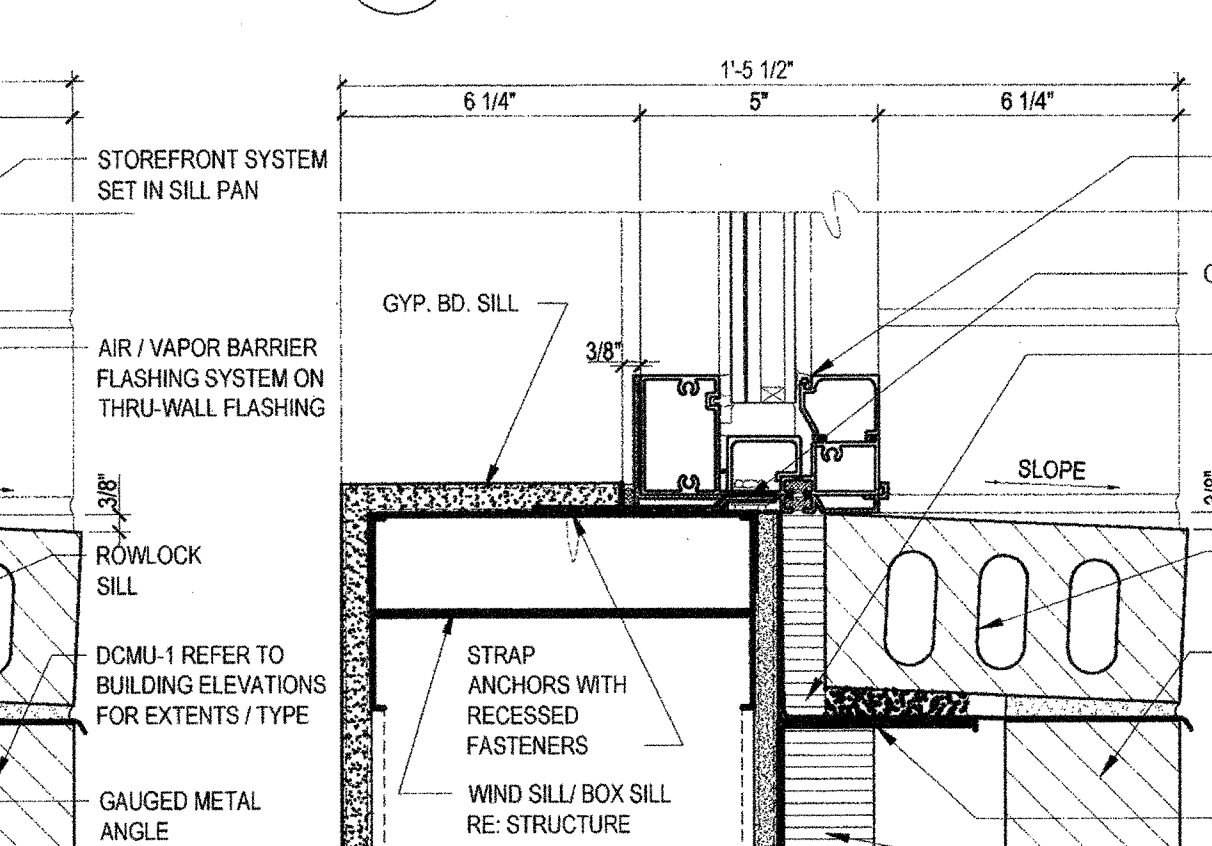
F INTERIOR SF - METAL STUD JAMB
A8.12 / SCALE: 3" = 1'-0"



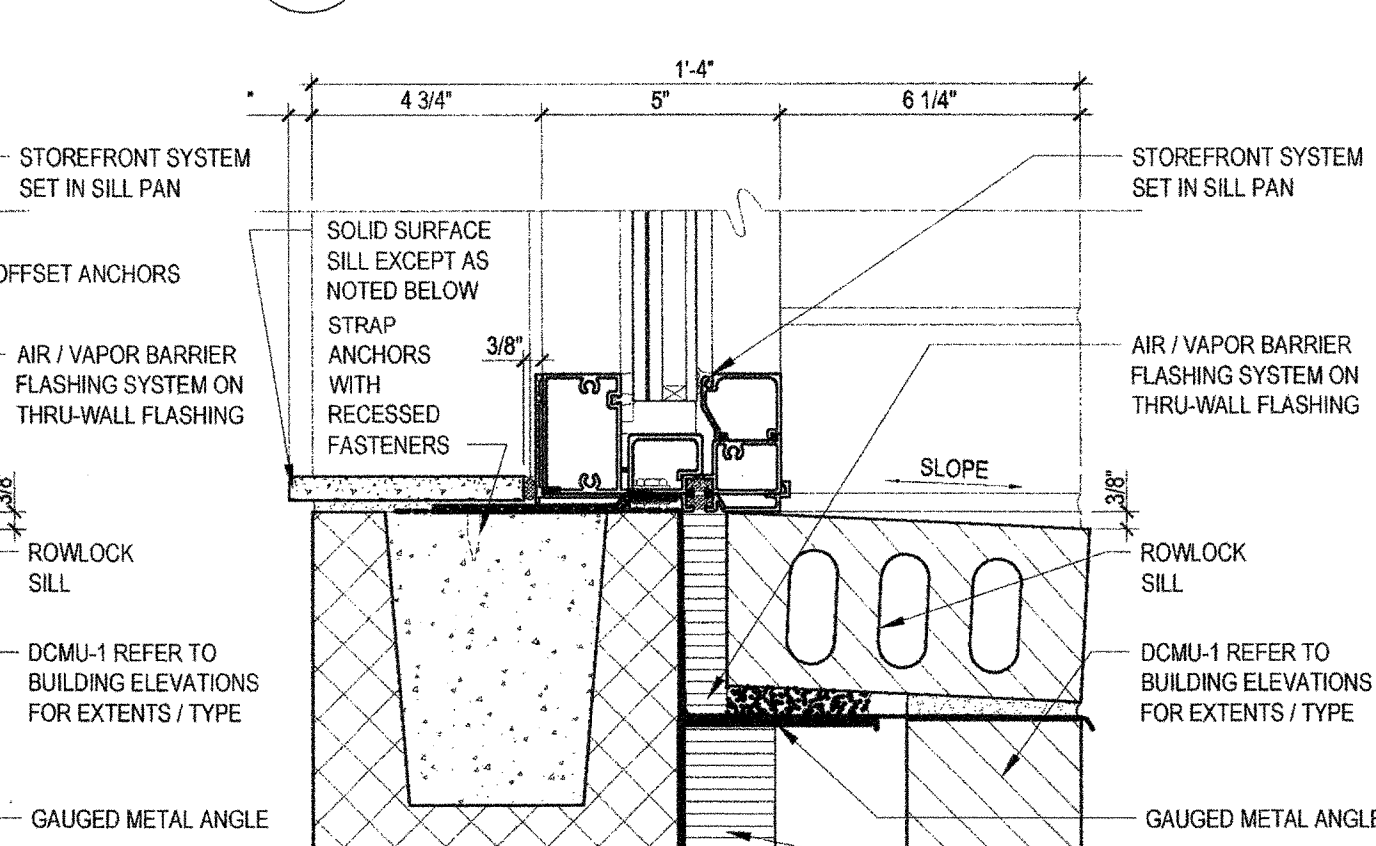
B INTERIOR SF - CMU JAMB
A8.12 / SCALE: 3" = 1'-0"



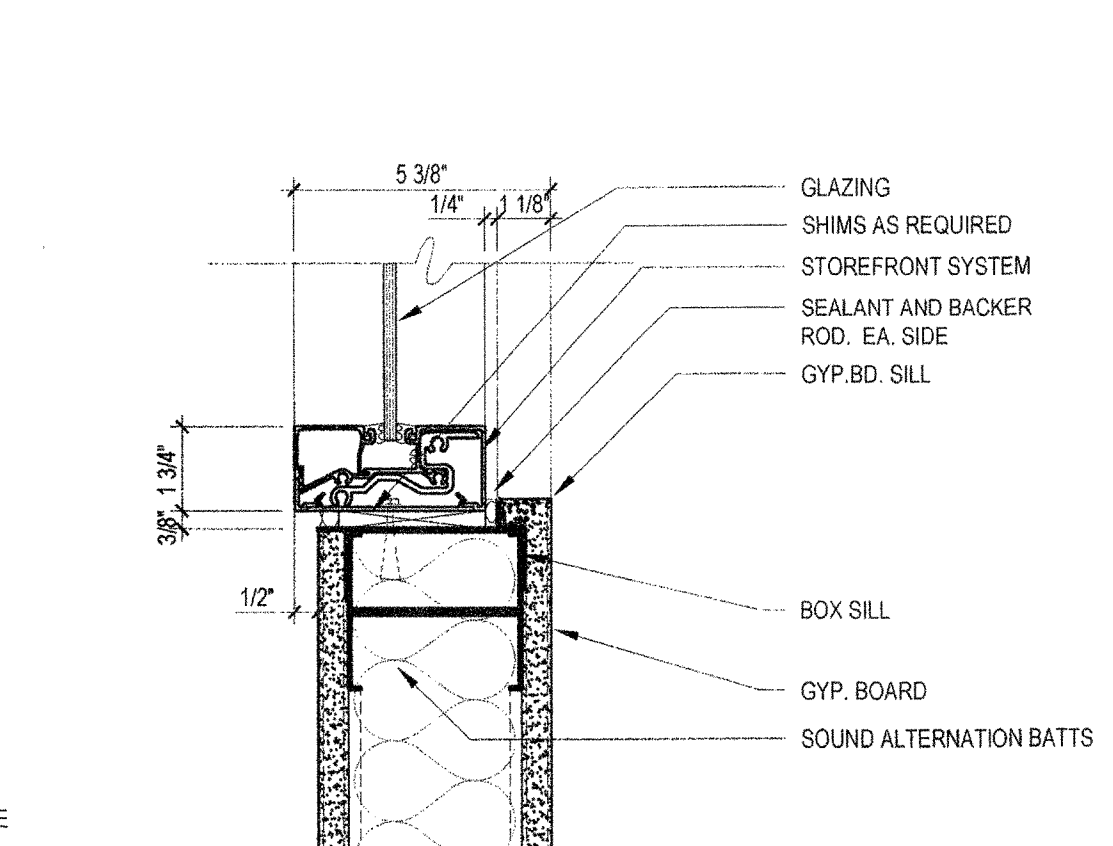
Q EXTERIOR SF - METAL STUD SILL
A8.12 / SCALE: 3" = 1'-0"



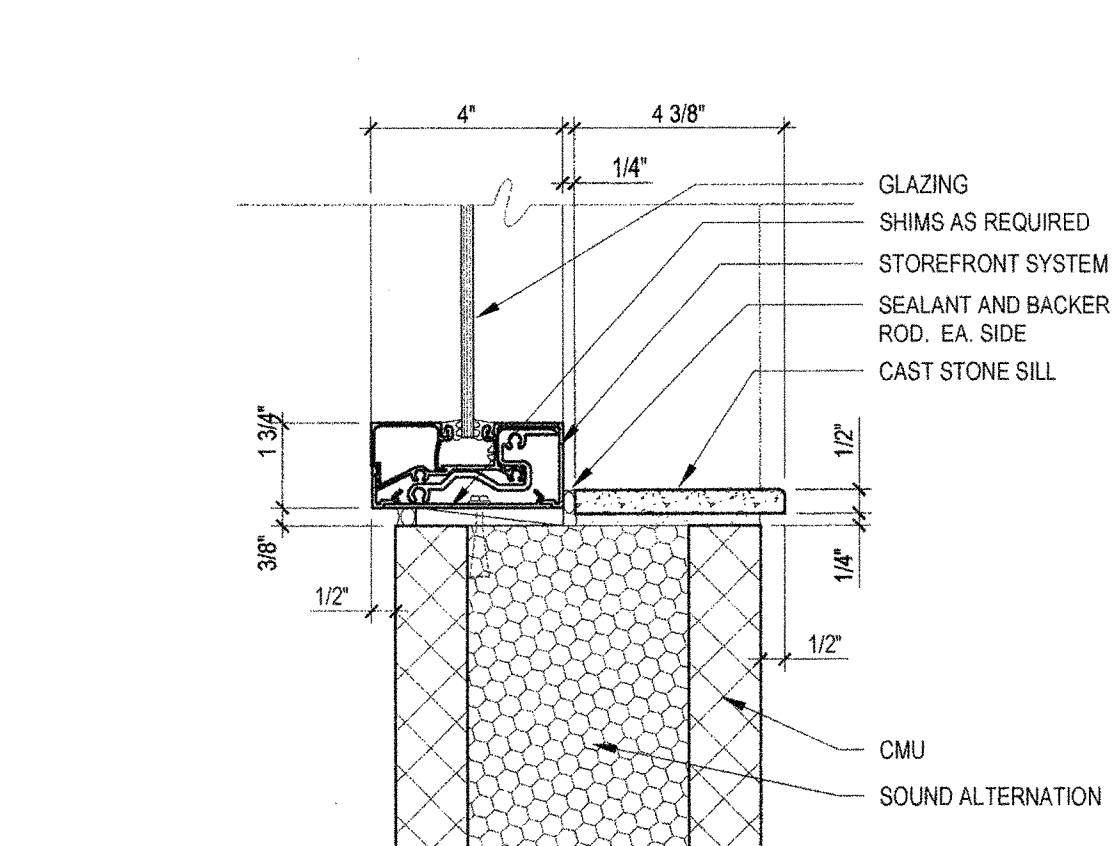
M INTERIOR SF - METAL STUD SILL
A8.12 / SCALE: 3" = 1'-0"



I EXTERIOR SF - CMU SILL
A8.12 / SCALE: 3" = 1'-0"



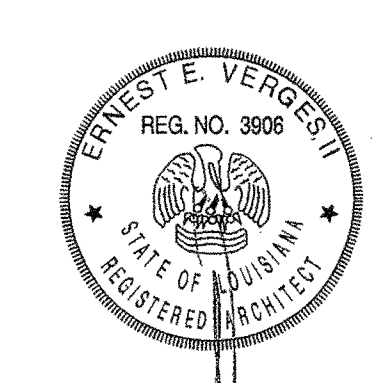
E INTERIOR SF - METAL STUD SILL
A8.12 / SCALE: 3" = 1'-0"



A INTERIOR SF - CMU SILL
A8.12 / SCALE: 3" = 1'-0"

SILL NOTE: EPOXY RESIN SILLS AT ROOMS 3004, 3025, 3027 AND 3029. REFER TO SHEETS A1.60 & A1.61

SILL NOTE: EPOXY RESIN SILLS AT ROOMS 3004, 3025, 3027 AND 3029. REFER TO SHEETS A1.60 & A1.61



**NEW 3 SECTION ELEMENTARY SCHOOL
AT FISK-HOWARD SCHOOL
RECOVERY SCHOOL DISTRICT**

NEW ORLEANS, LOUISIANA 70119

211 S. LOPEZ STREET

DATE ISSUED: 7 DECEMBER, 2012
REVISED:
REVISED:
REVISED:
REVISED:
DRAWN BY: RPB, CMB
CHECKED BY: DGR, JFM
PHASE:
BID DOCUMENTS
11085
TITLE: STOREFRONT AND CURTAIN WALL DETAILS
SHEET: **A8.12**