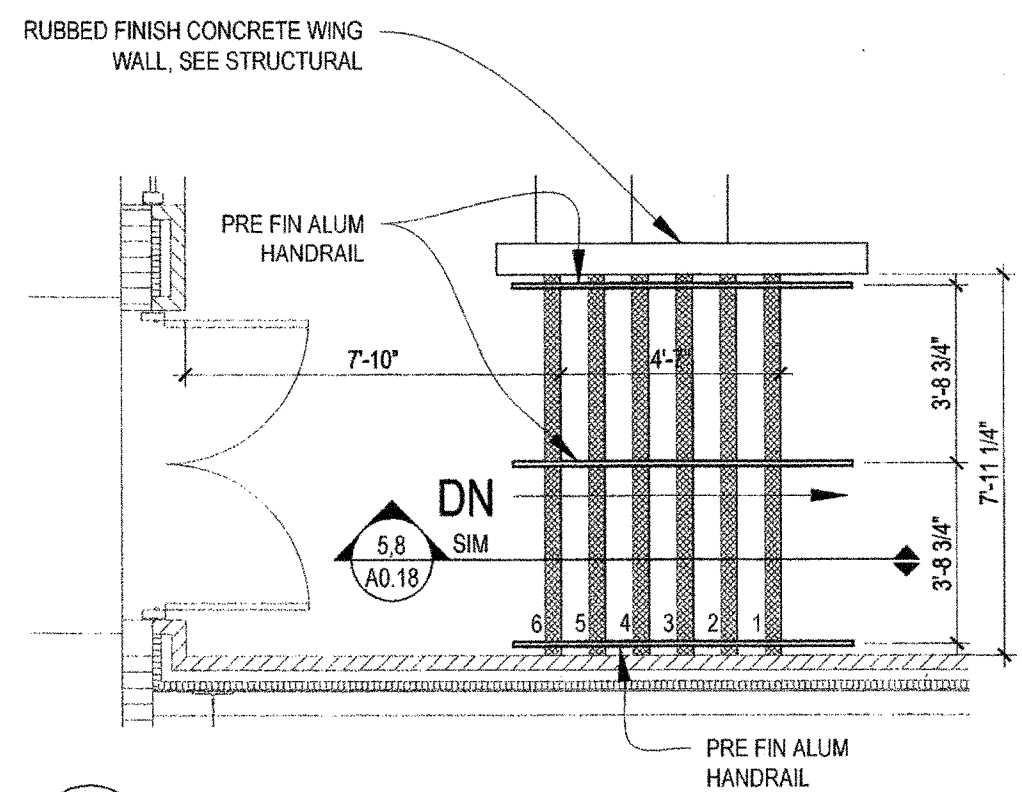
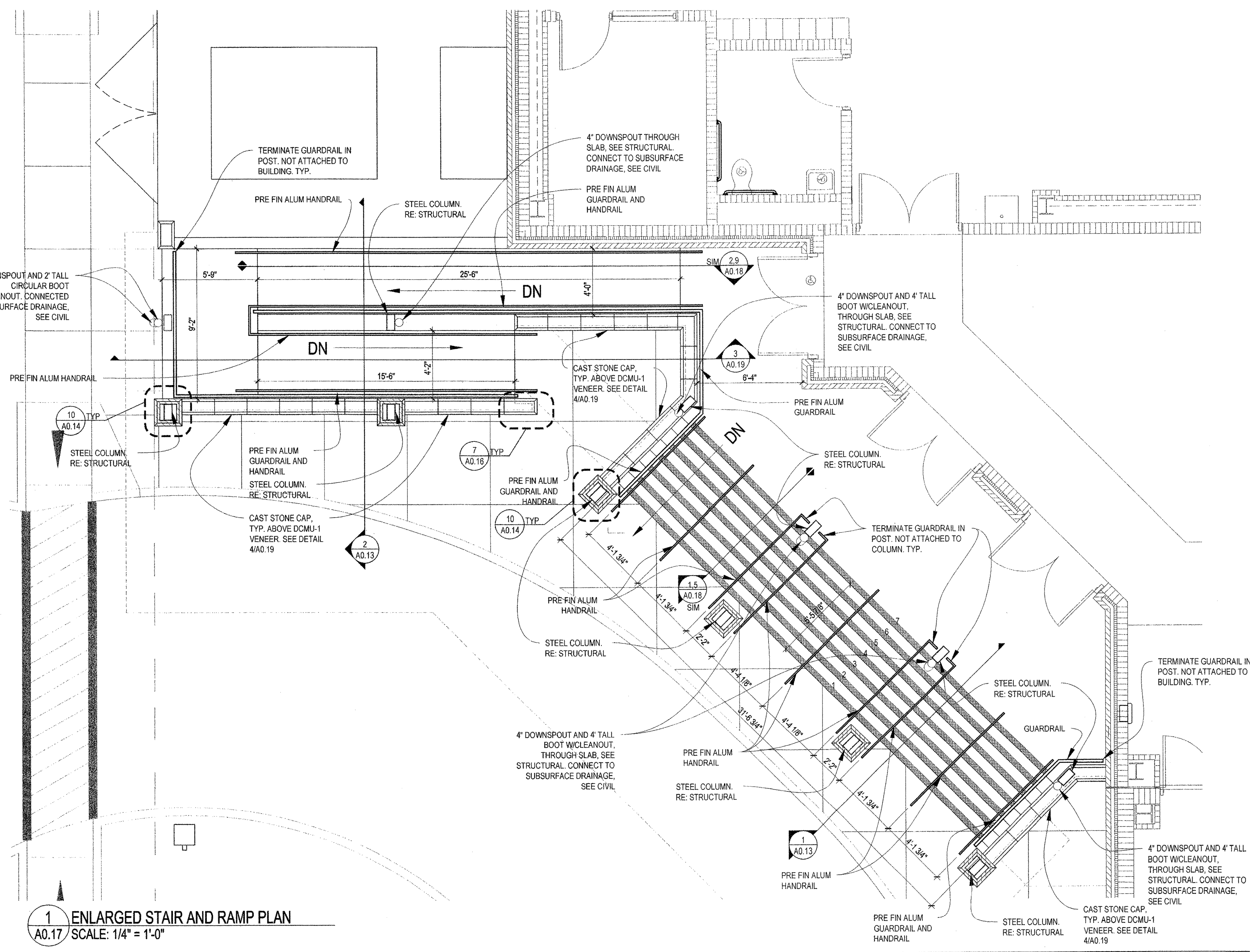


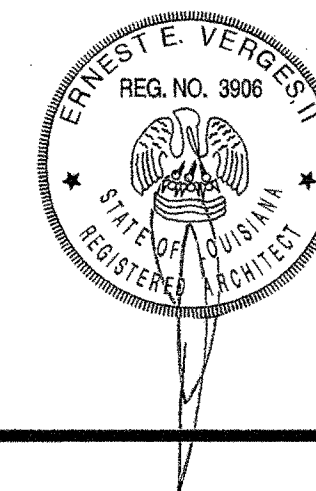
2 ENLARGED STAIR AND RAMP PLAN
A0.17 / SCALE: 1/4" = 1'-0"



3 ENLARGED STAIR PLAN
A0.17 / SCALE: 1/4" = 1'-0"



1 ENLARGED STAIR AND RAMP PLAN
A0.17 / SCALE: 1/4" = 1'-0"



**NEW 3 SECTION ELEMENTARY SCHOOL
AT FISK-HOWARD SCHOOL
RECOVERY SCHOOL DISTRICT**

211 SLOPEZ STREET NEW ORLEANS, LOUISIANA 70119

DATE ISSUED: 7 DECEMBER, 2012
REVISED:
REVISED:
REVISED:
REVISED:
DRAWN BY: MSR
CHECKED BY: DGR, JFM
PHASE:

BID DOCUMENTS

11085

TITLE:
**STAIR & RAMP
ENLARGED PLANS**

SHEET:

A0.17