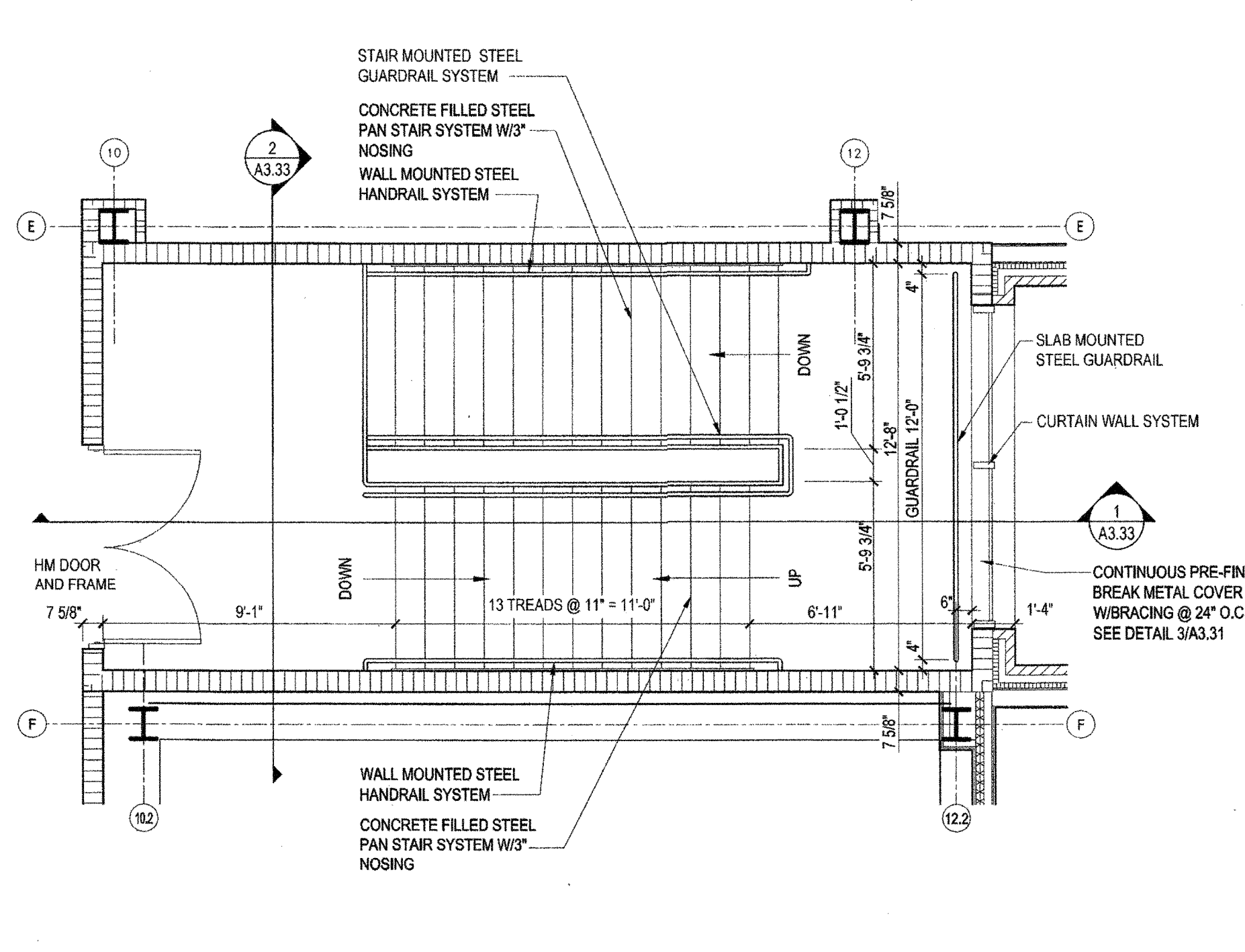


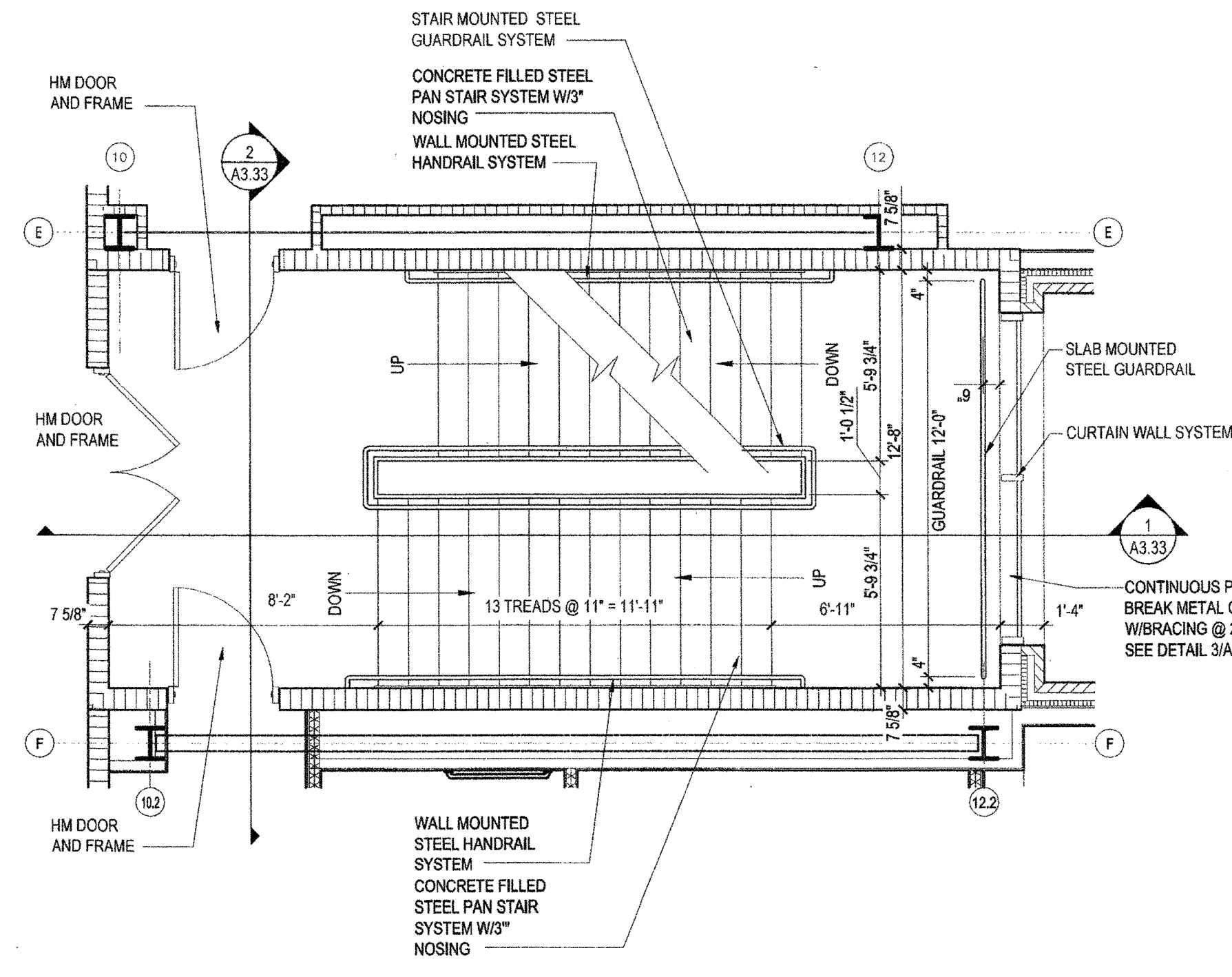


**NEW 3 SECTION ELEMENTARY SCHOOL
AT FISK-HOWARD SCHOOL
RECOVERY SCHOOL DISTRICT**

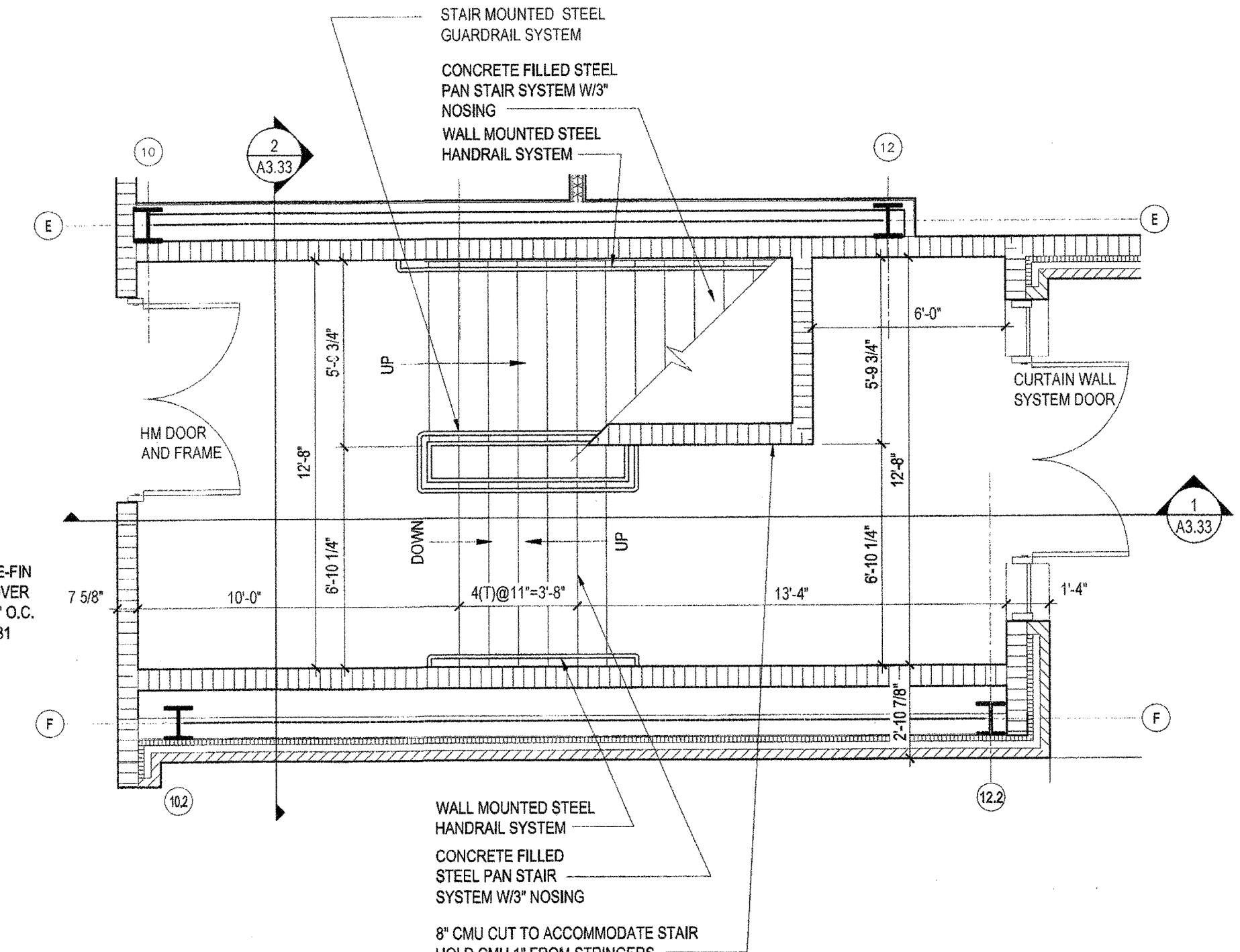
NEW ORLEANS, LOUISIANA 70119
211 S. LOPEZ STREET



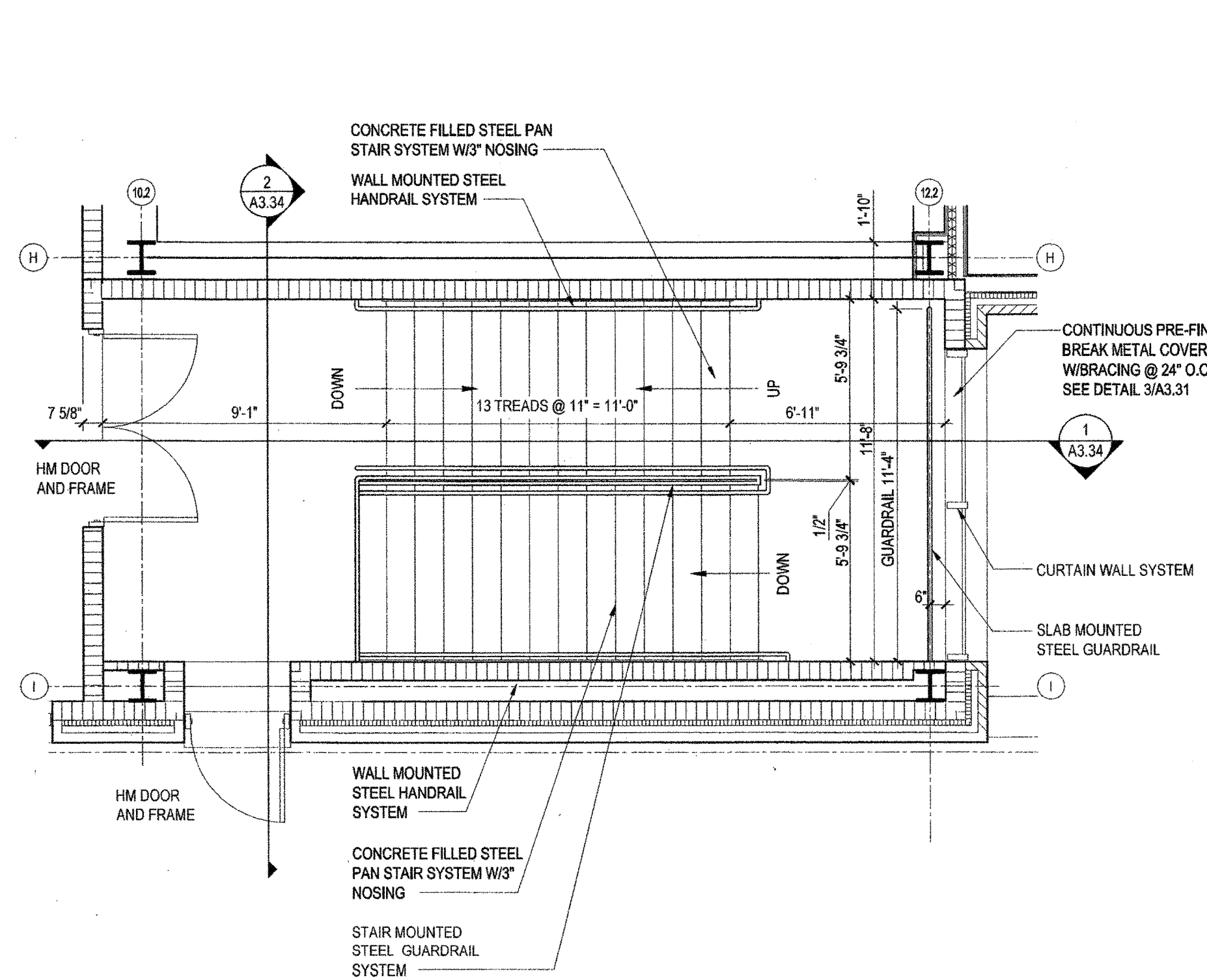
6 THIRD FLOOR STAIR S303 - UNIT C
A3.22 SCALE: 1/4" = 1'-0"



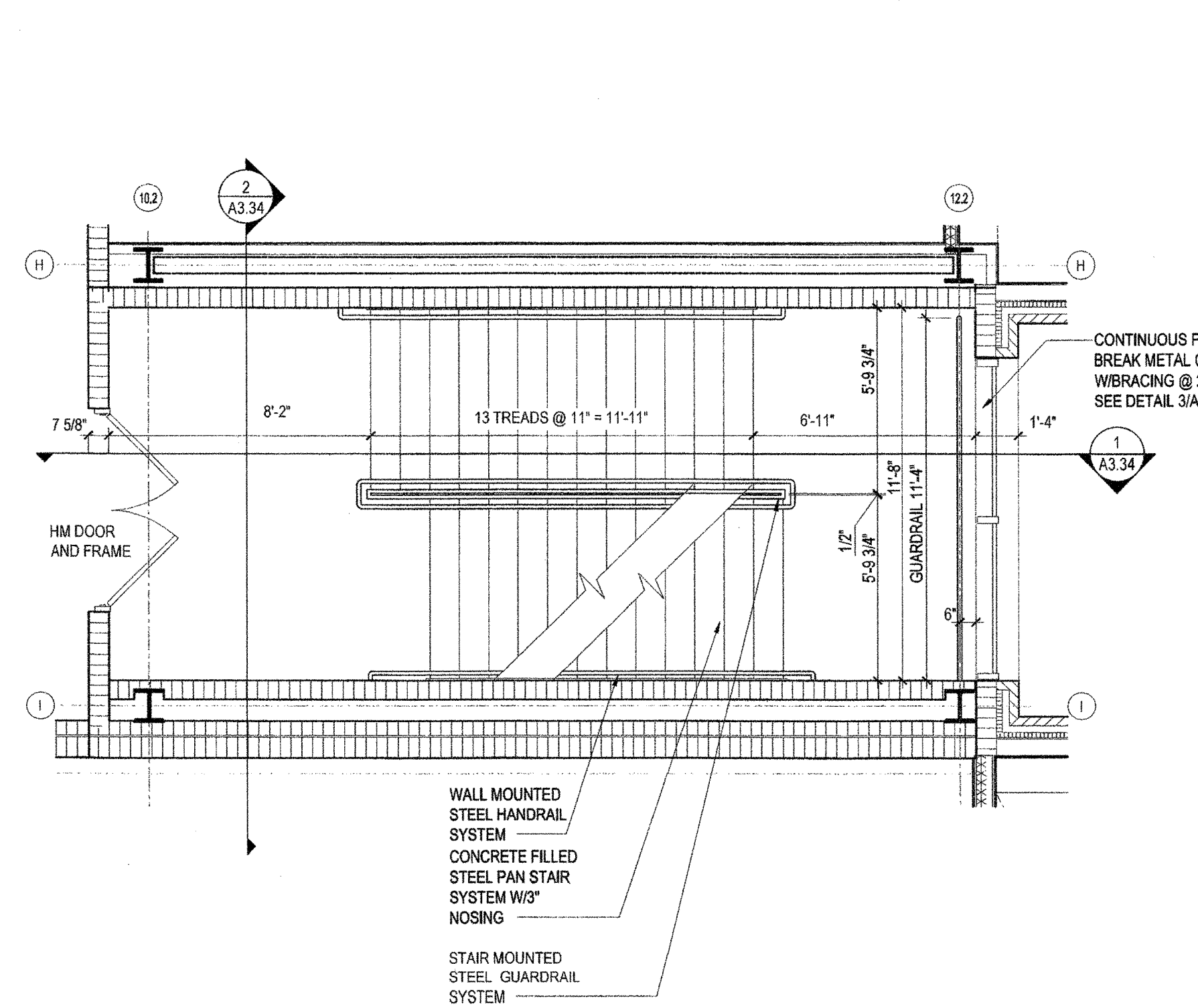
5 SECOND FLOOR STAIR S203 - UNIT C
A3.22 SCALE: 1/4" = 1'-0"



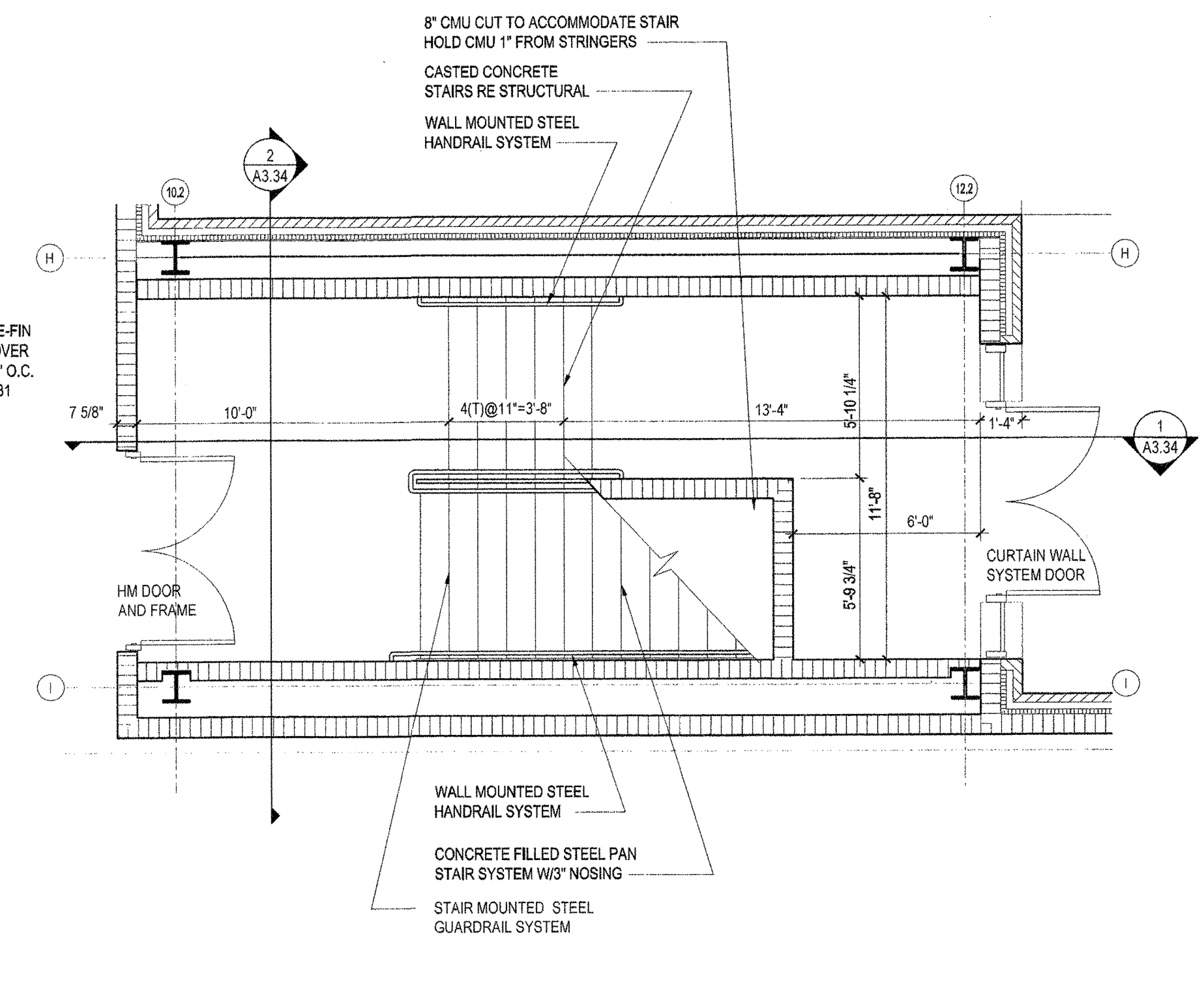
4 FIRST FLOOR STAIR S103 - UNIT C
A3.22 SCALE: 1/4" = 1'-0"



3 THIRD FLOOR STAIR S304 - UNIT C
A3.22 SCALE: 1/4" = 1'-0"



2 SECOND FLOOR STAIR S204 - UNIT C
A3.22 SCALE: 1/4" = 1'-0"



1 FIRST FLOOR STAIR S104 - UNIT C
A3.22 SCALE: 1/4" = 1'-0"

DATE ISSUED:	7 DECEMBER, 2012
REVISED:	
REVISED:	
REVISED:	
REVISED:	
DRAWN BY:	RPB
CHECKED BY:	DGR, JFM
PHASE:	

BID DOCUMENTS

11085

TITLE:
STAIR PLANS
UNIT C

SHEET:

A3.22