

4 ENLARGED TOILET PLAN
A4.01 SCALE: 1/4" = 1'-0" UNIT A FIRST FLOOR

ENLARGED PLAN KEY NOTES:

- MIRRORS IN THIS ROOM SHALL BE STAINLESS STEEL.
- MIRROR IN THIS ROOM SHALL BE GLASS.

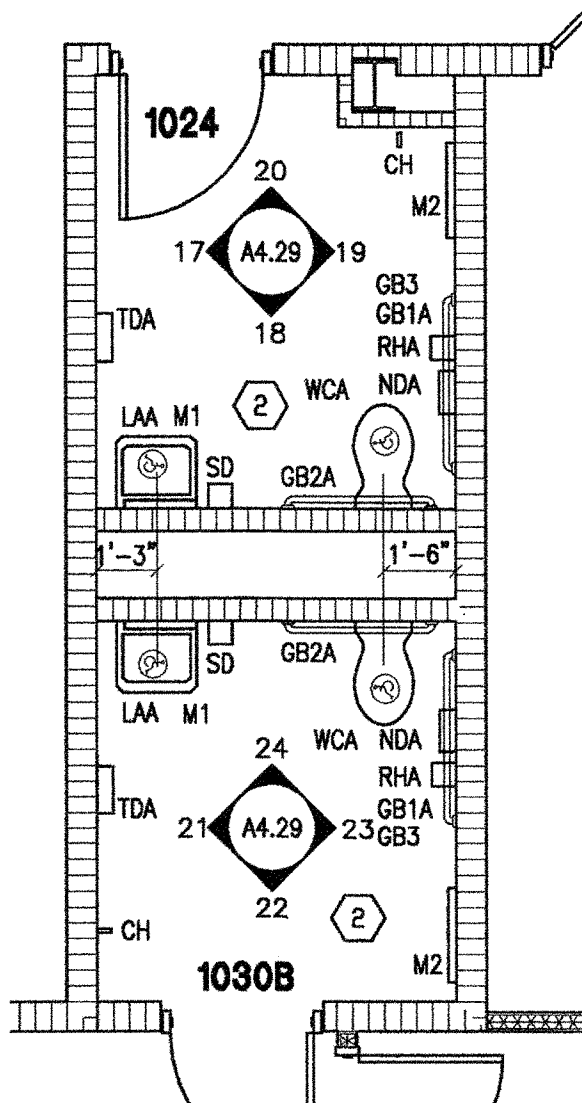
ENLARGED PLAN GENERAL NOTES:

- DEPTH OF ALL TOILET PARTITIONS SHALL HAVE A MINIMUM OF 5'-0" CLEAR INSIDE DIMENSION (U.N.O.).
- SEE EQUIPMENT PLANS FOR TOILET ACCESSORIES IN ROOMS NOT ENLARGED ON THIS SHEET.
- IN HANDICAP TOILET STALLS, THE FLUSH VALVES SHALL ALWAYS BE LOCATED ON THE CLEAR FLOOR SPACE SIDE OF THE STALL PER ADA.
- COORDINATE HEIGHT OF GRAB BAR WITH TANK OF FLOOR MOUNTED WATER CLOSET OR FLUSH VALVE OF WALL MOUNTED CLOSET.
- REFER TO DRAWING SHEET A4.00 FOR MOUNTING HEIGHTS.
- REFER TO PLUMBING DRAWINGS FOR FIXTURE TYPES.
- REFER TO SPECIFICATIONS FOR OWNER FURNISHED ACCESSORIES AND CONTRACTOR INSTALLED.

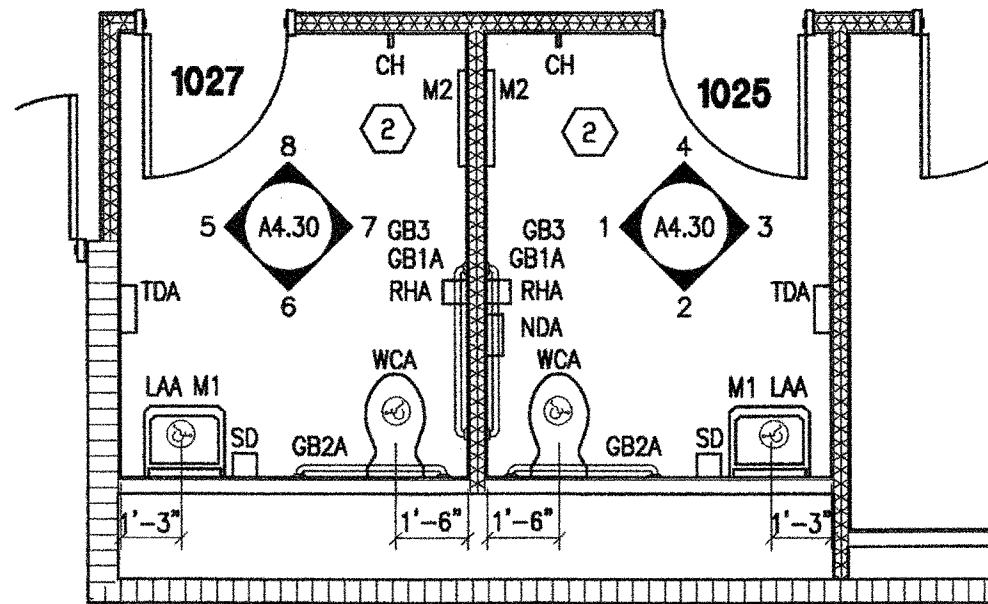
TOILET ACCESSORIES ABBREVIATIONS

CH:	COAT HOOK
DCS:	DIAPER CHANGING STATION
DF:	DRINKING FOUNTAIN
EW:	ELECTRIC WATER COOLER
FD:	FLOOR DRAIN
GB1:	GRAB BAR - 42"
GB2:	GRAB BAR - 36"
GB3:	GRAB BAR - 18" VERTICAL
GB4:	GRAB BAR - 30"
GB5:	GRAB BAR - 48"
GB6:	GRAB BAR - 18" HORIZONTAL
HD:	HAND DRYER
HRD:	HAIR DRYER
LA:	LAVATORY
M1:	MIRROR - 18"X36"H
M2:	MIRROR - 24"X60"H
M3:	MIRROR - 48"X36"H
MH:	MOP HOLDER
ND:	NAPKIN DISPOSAL
NV:	NAPKIN VENDOR
PSS:	PENCIL SHARPENER SUPPORT
RH:	ROLL HOLDER (TOILET PAPER DISPENSER)
SD:	SOAP DISPENSER
SR:	SHOWER ROD
SS:	SHOWER SEAT
TD:	PAPER TOWEL DISPENSER
TDD:	PAPER TOWEL DISPENSER/DISPOSAL
TH:	TOWEL HOOK
UR:	URINAL
US:	URINAL SCREEN
WC:	WATER CLOSET
WF:	WASH FOUNTAIN

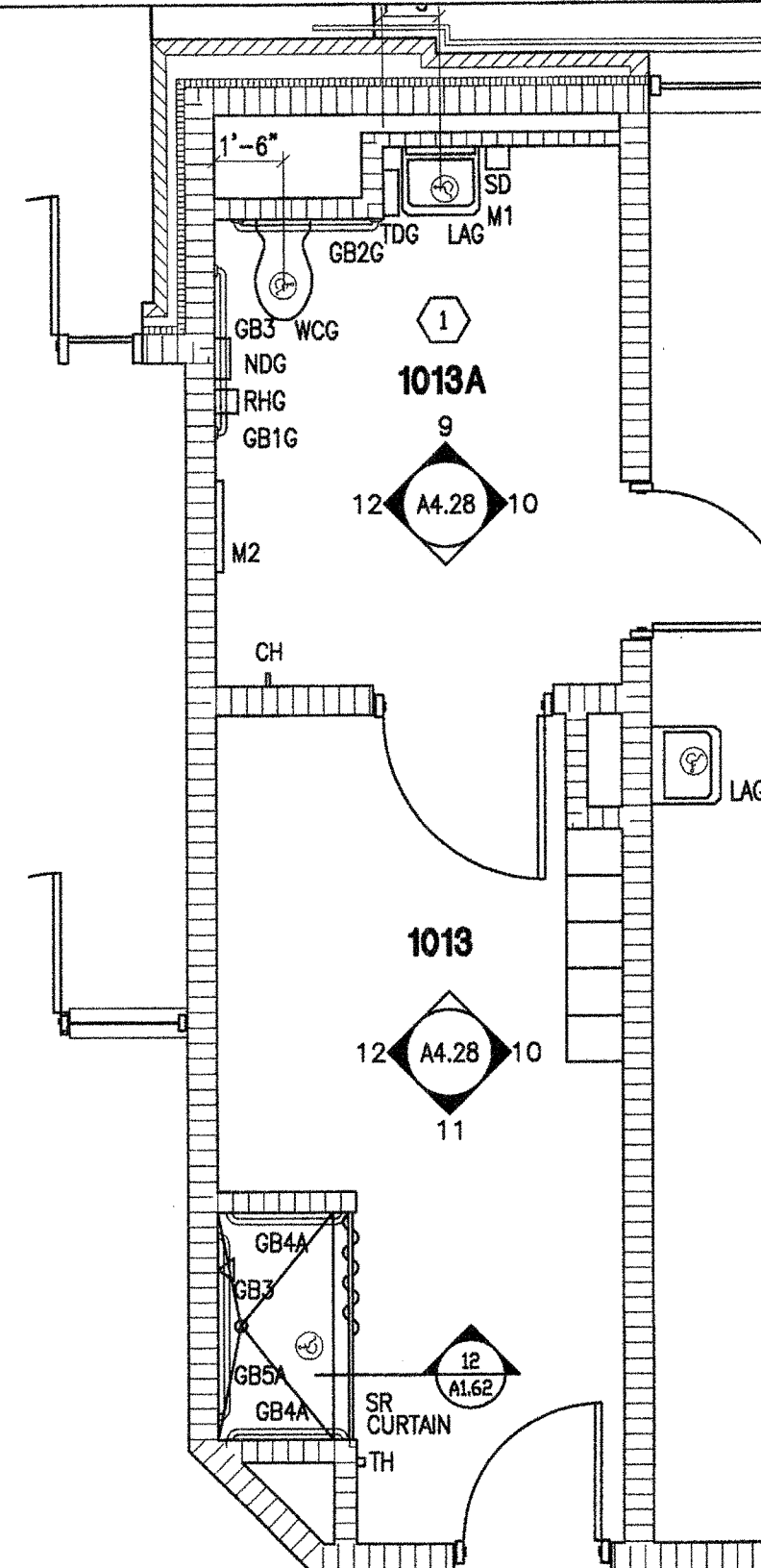
NOTE: THE LETTERS (A THRU H) FOLLOWING THE ABBREVIATIONS REFERENCES THE GRADE LEVEL MOUNTING HEIGHTS (A4.00)



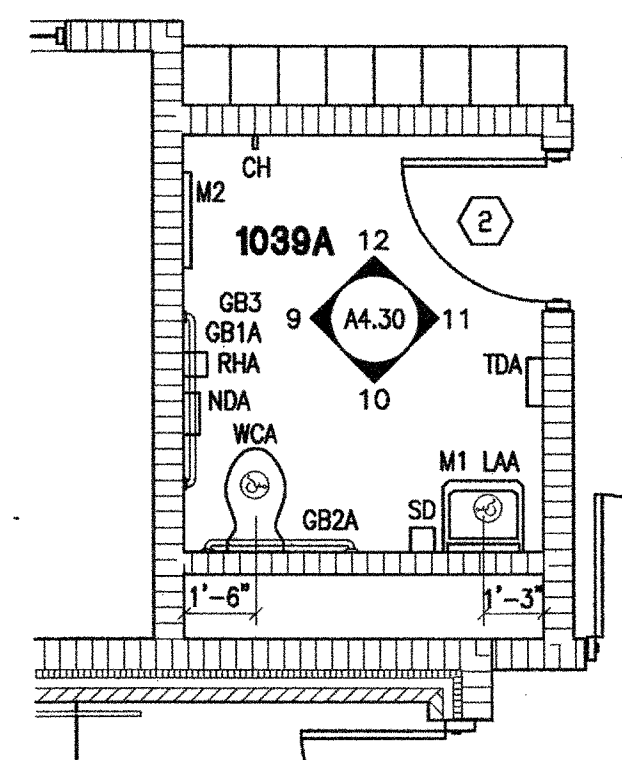
3 ENLARGED TOILET PLAN
A4.01 SCALE: 1/4" = 1'-0" UNIT A FIRST FLOOR



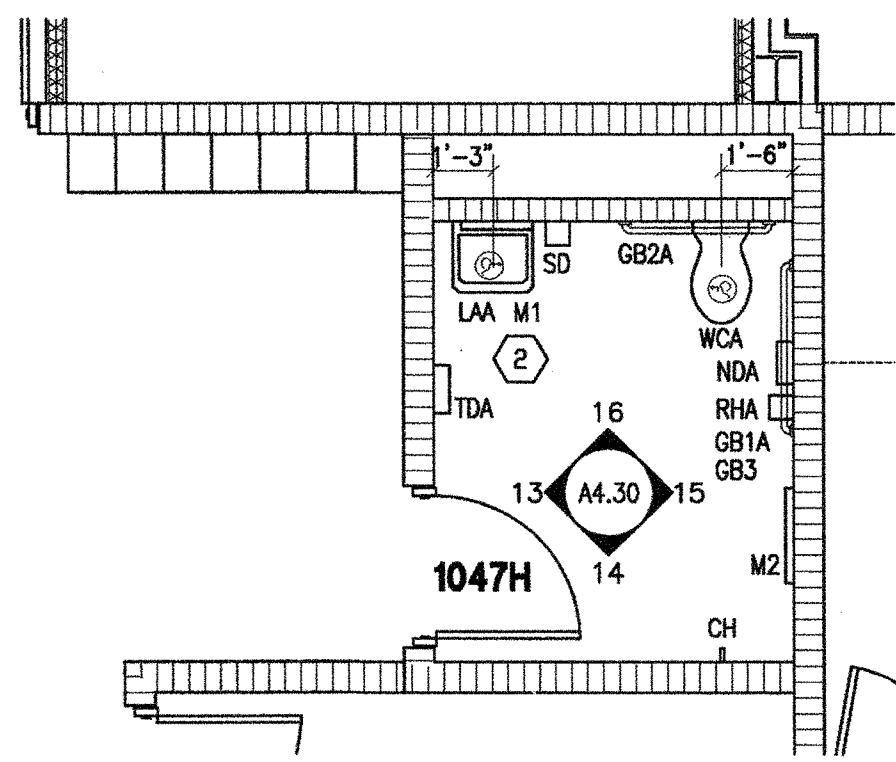
2 ENLARGED TOILET PLAN
A4.01 SCALE: 1/4" = 1'-0" UNIT A FIRST FLOOR



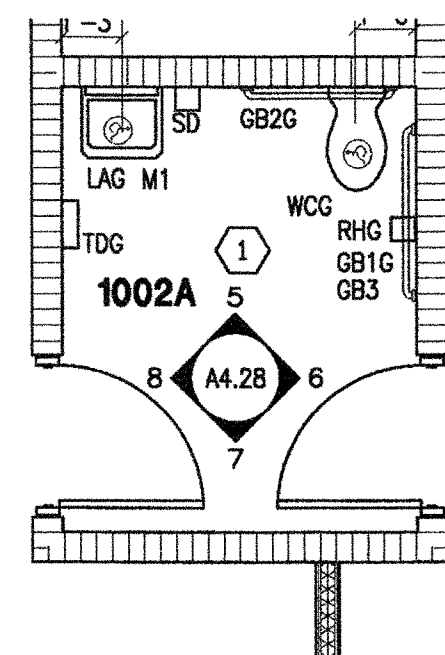
1 ENLARGED TOILET PLAN
A4.01 SCALE: 1/4" = 1'-0" UNIT A FIRST FLOOR



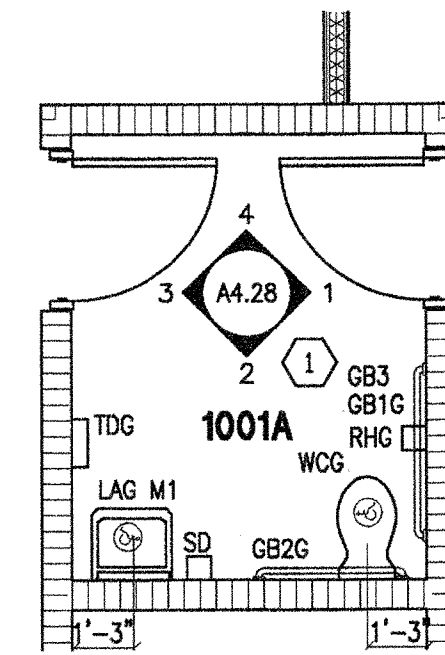
8 ENLARGED TOILET PLAN
A4.01 SCALE: 1/4" = 1'-0" UNIT C FIRST FLOOR



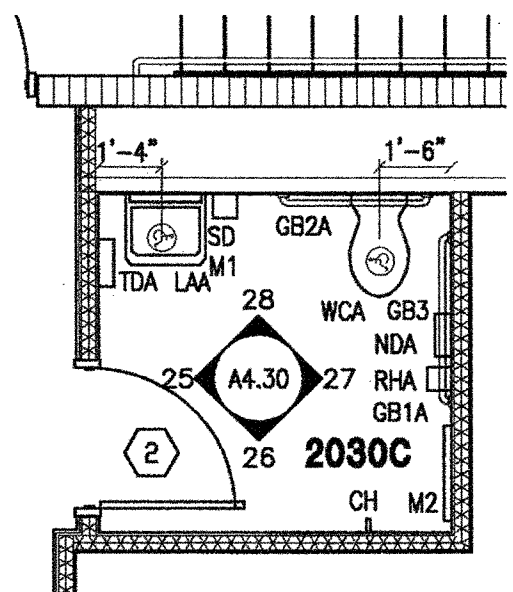
7 ENLARGED TOILET PLAN
A4.01 SCALE: 1/4" = 1'-0" UNIT C FIRST FLOOR



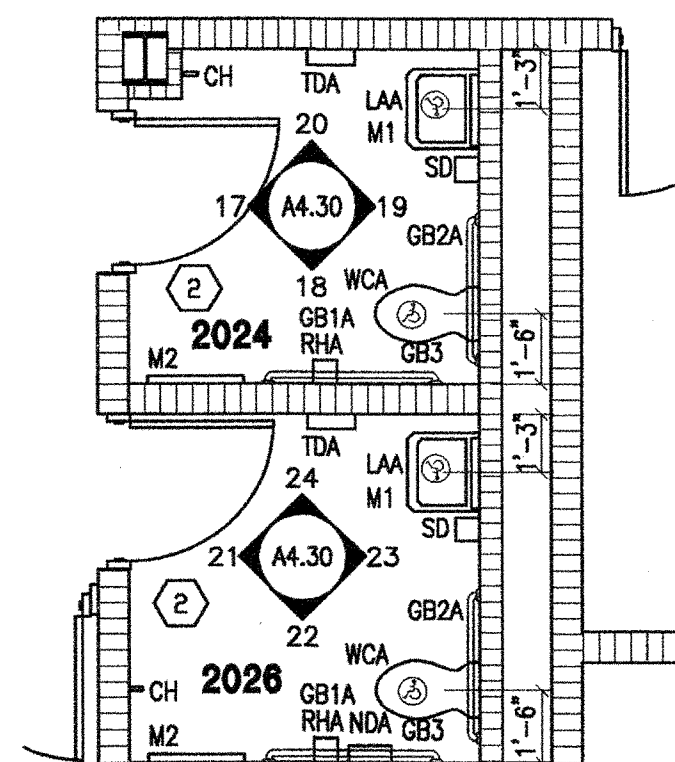
6 ENLARGED TOILET PLAN
A4.01 SCALE: 1/4" = 1'-0" UNIT B FIRST FLOOR (1006A IS SIMILAR)



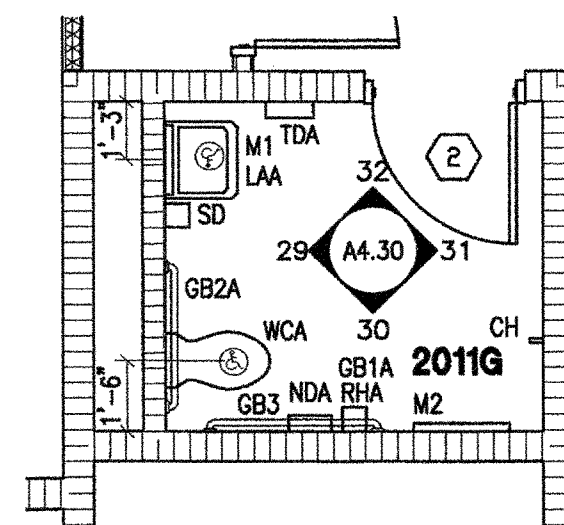
5 ENLARGED TOILET PLAN
A4.01 SCALE: 1/4" = 1'-0" UNIT B FIRST FLOOR



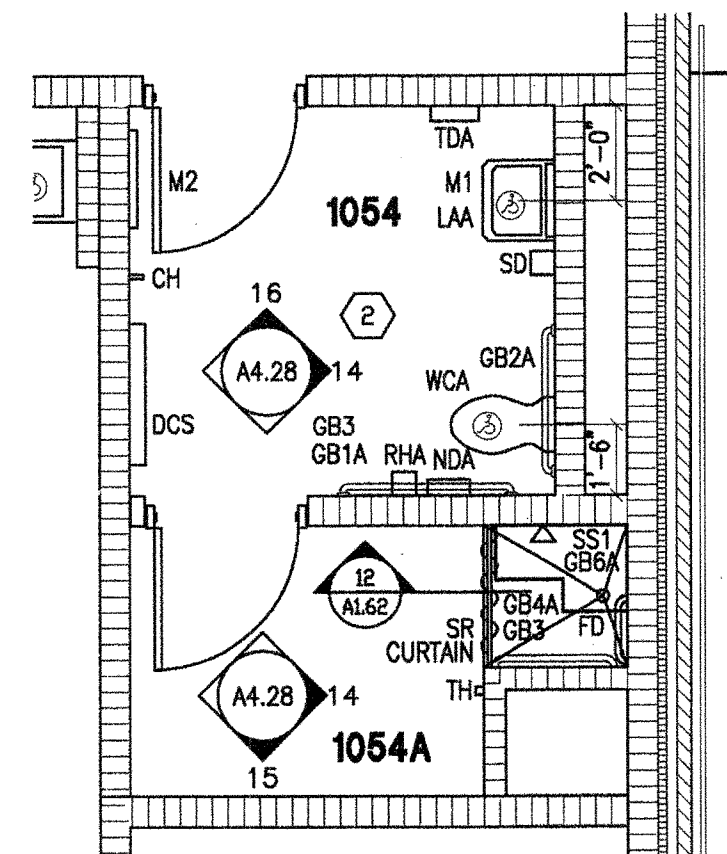
12 ENLARGED TOILET PLAN
A4.01 SCALE: 1/4" = 1'-0" UNIT C SECOND FLOOR



11 ENLARGED TOILET PLAN
A4.01 SCALE: 1/4" = 1'-0" UNIT B SECOND AND THIRD FLOORS



10 ENLARGED TOILET PLAN
A4.01 SCALE: 1/4" = 1'-0" UNIT A SECOND FLOOR



9 ENLARGED TOILET PLAN
A4.01 SCALE: 1/4" = 1'-0" UNIT D FIRST FLOOR

