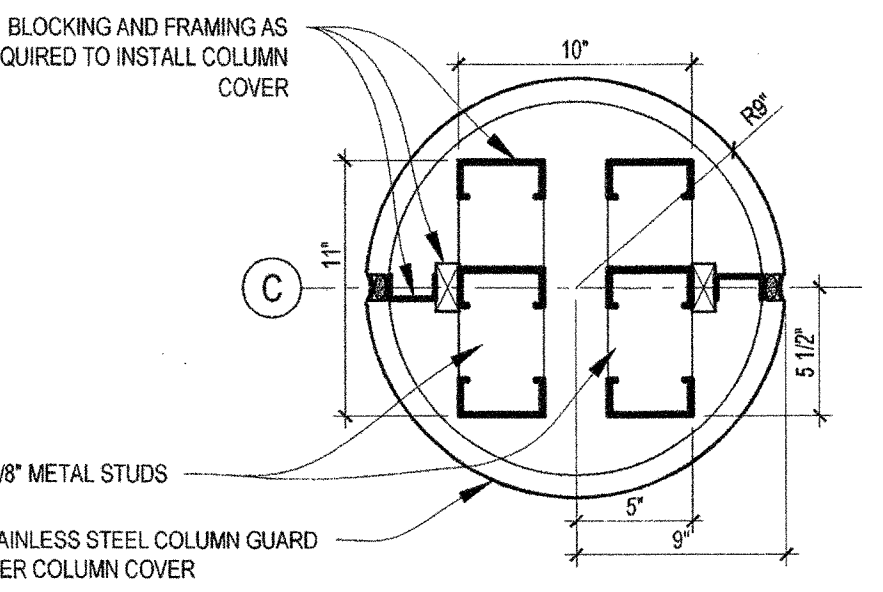
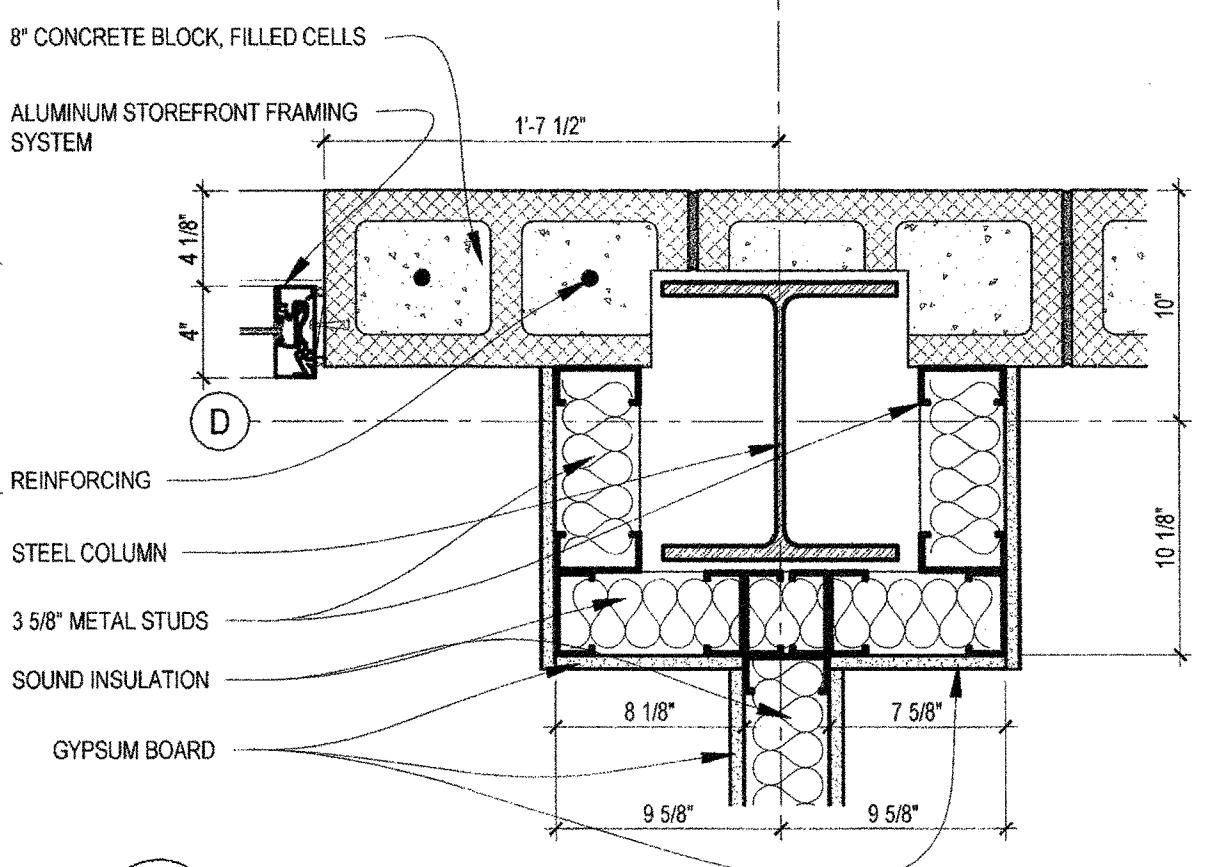
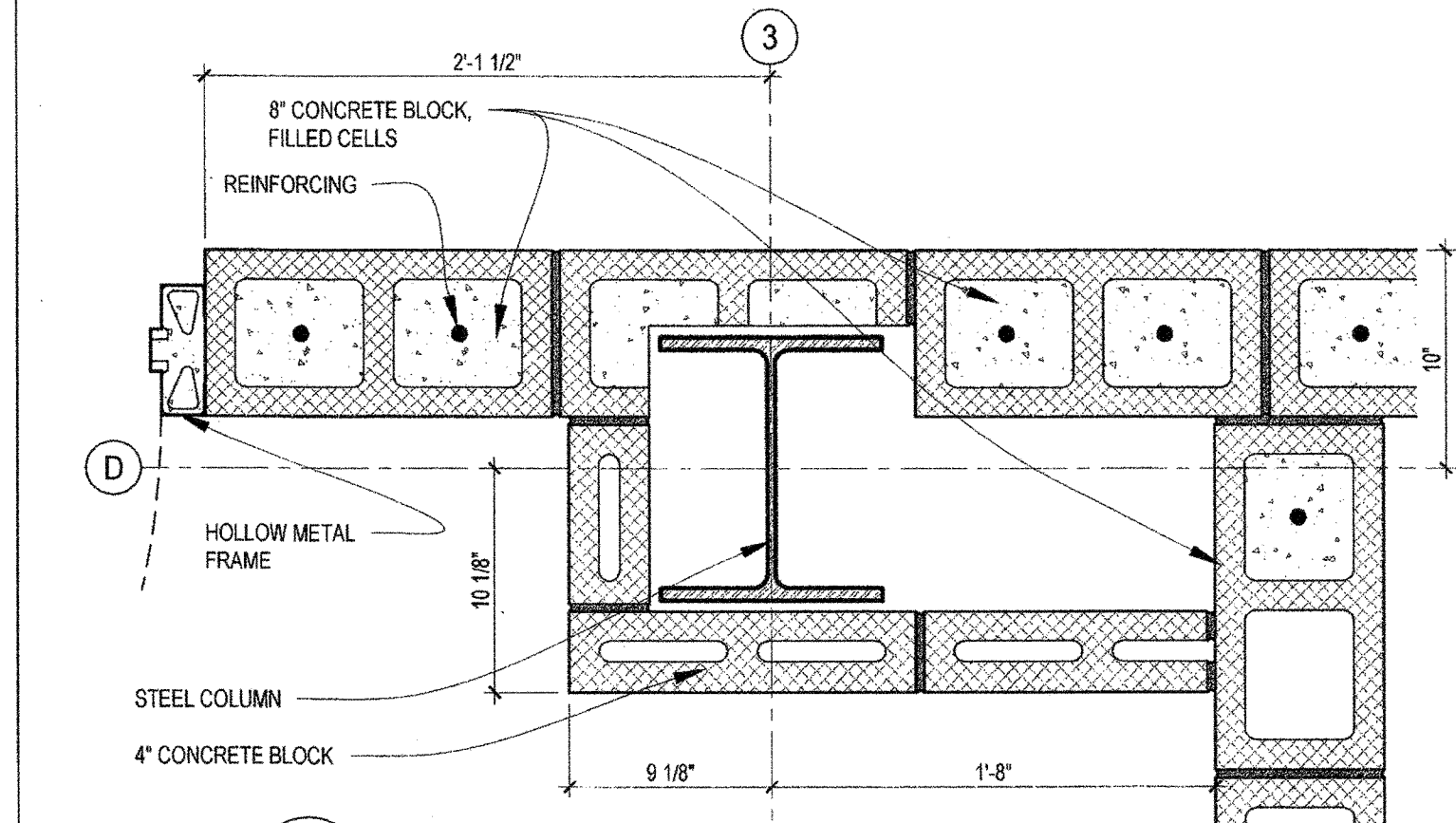


1 DETAIL
A5.00 / SCALE: 1 1/2" = 1'-0"

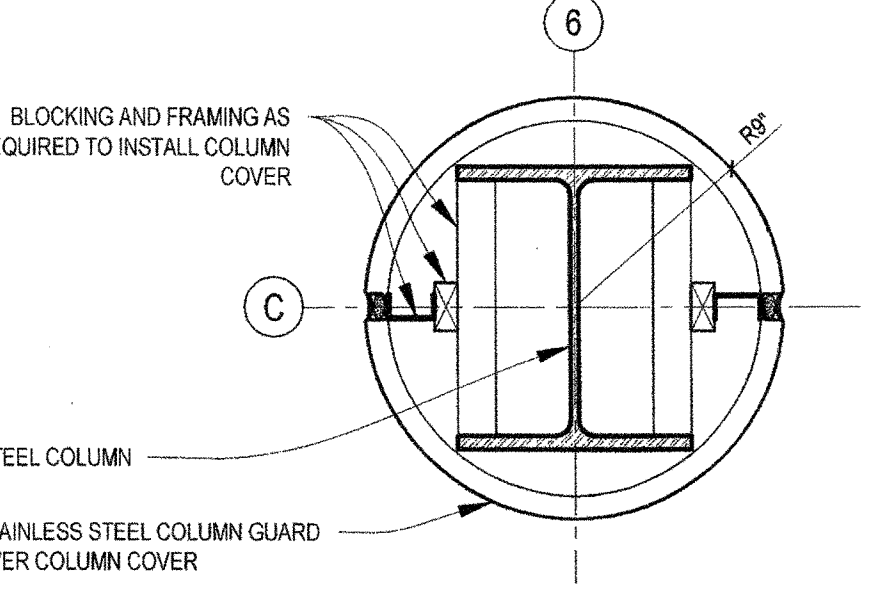
2 DETAIL
A5.00 / SCALE: 1 1/2" = 1'-0"

3 DETAIL
A5.00 / SCALE: 1 1/2" = 1'-0"

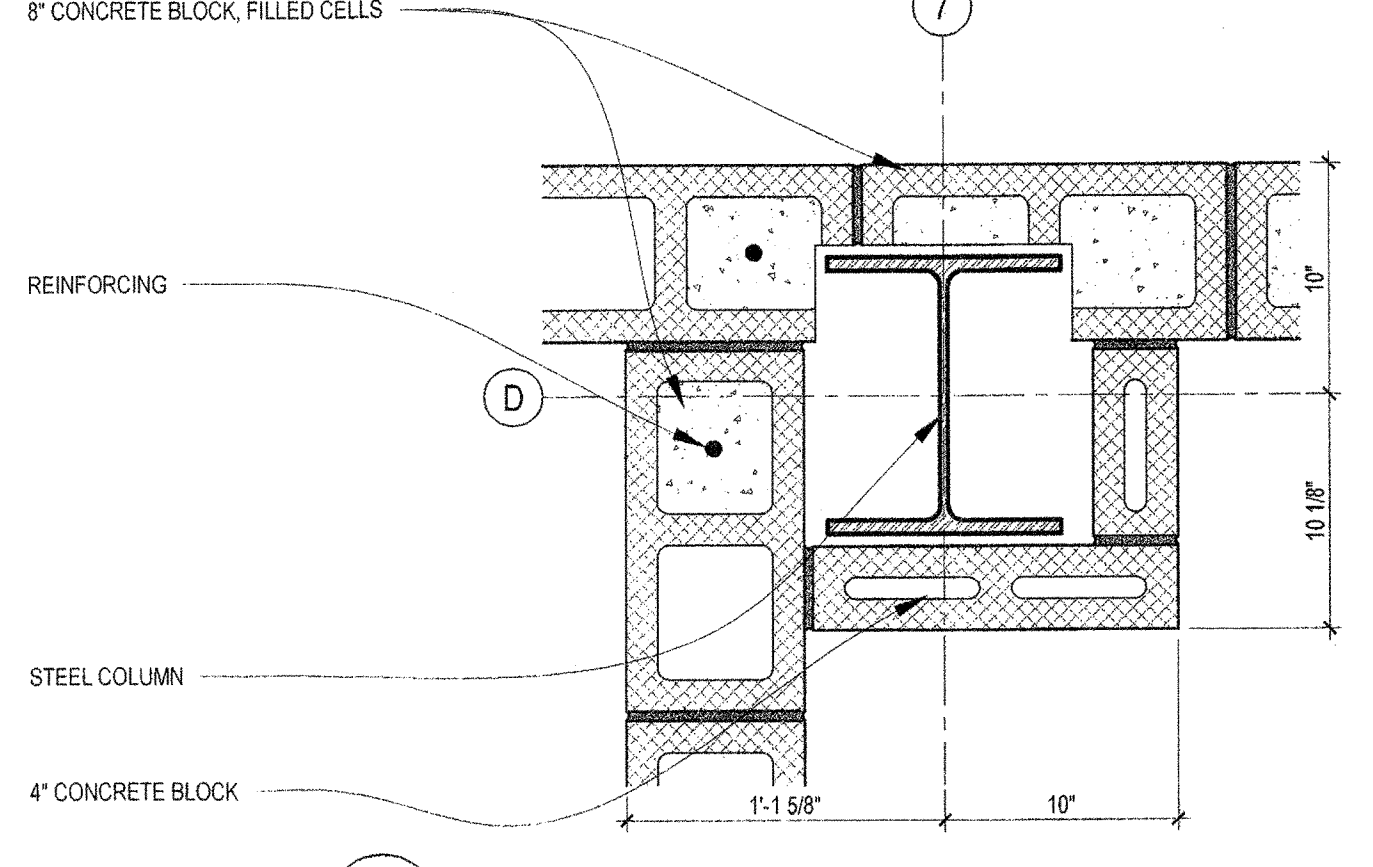
4 DETAIL
A5.00 / SCALE: 1 1/2" = 1'-0"



7A DETAIL - TYPICAL
A5.00 / SCALE: 1 1/2" = 1'-0"



7B DETAIL - TYPICAL
A5.00 / SCALE: 1 1/2" = 1'-0"

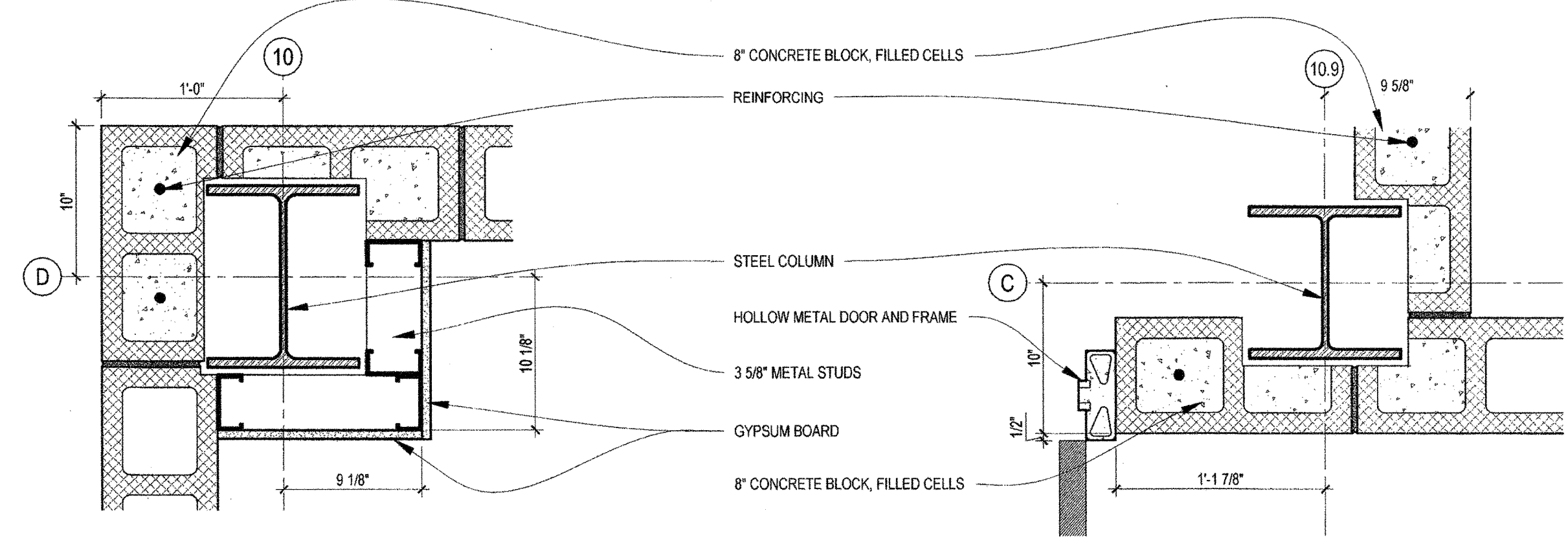


8 DETAIL
A5.00 / SCALE: 1 1/2" = 1'-0"

5 DETAIL
A5.00 / SCALE: 1 1/2" = 1'-0"

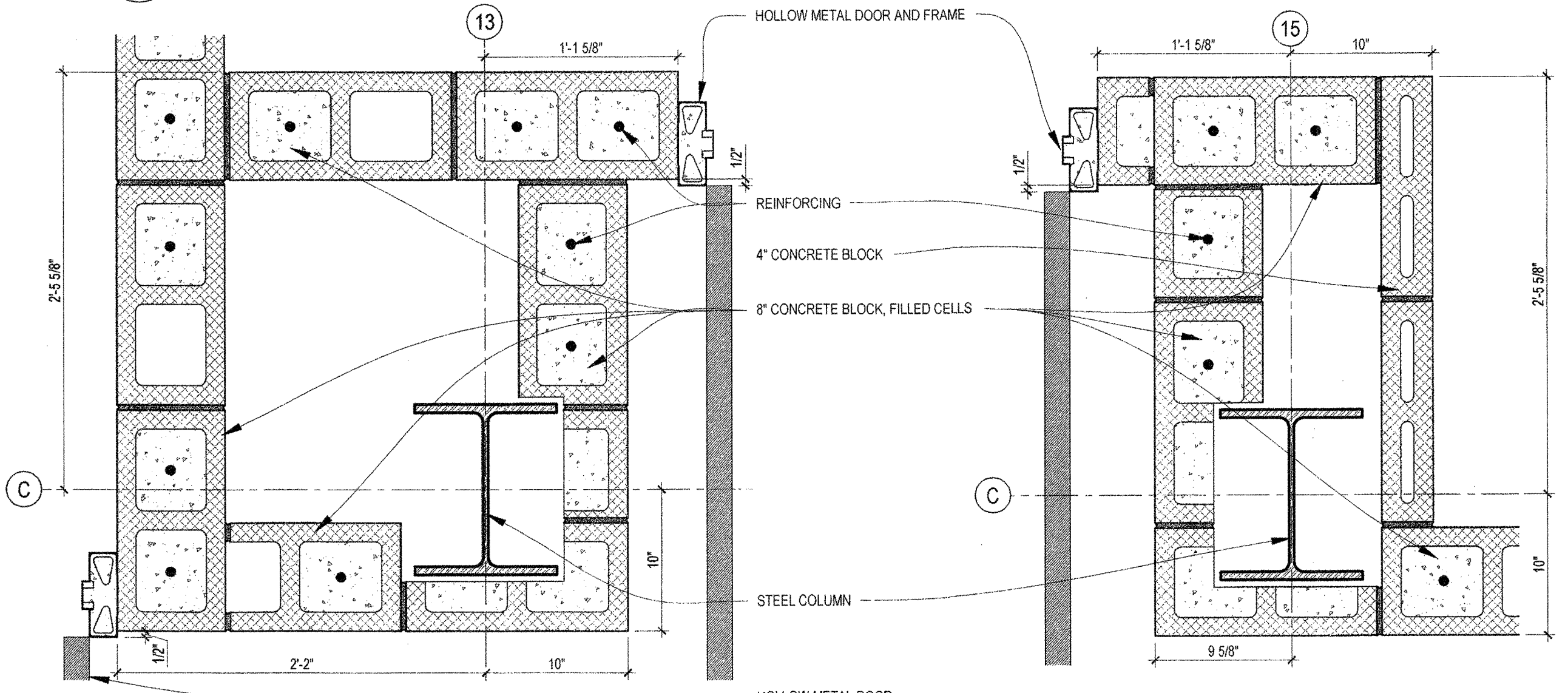
6 DETAIL
A5.00 / SCALE: 1 1/2" = 1'-0"

NOTES:
1. SEE DOOR & WINDOW DETAIL SHEET FOR TYPICAL BACKER ROD AND SEALANT INSTALLATION DETAILS.
2. CMU BLOCKING SHOWN FOR MATERIAL TYPE PLACEMENT ONLY. ACTUAL BLOCK COURSING AND SIZES WRAPPING COLUMNS ARE TO BE WORKED OUT IN THE FIELD WITH MASON.



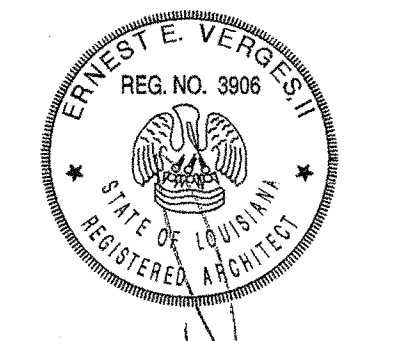
9 DETAIL
A5.00 / SCALE: 1 1/2" = 1'-0"

10 DETAIL
A5.00 / SCALE: 1 1/2" = 1'-0"



11 DETAIL
A5.00 / SCALE: 1 1/2" = 1'-0"

12 DETAIL
A5.00 / SCALE: 1 1/2" = 1'-0"



**NEW 3 SECTION ELEMENTARY SCHOOL
AT FISK-HOWARD SCHOOL
RECOVERY SCHOOL DISTRICT**

211 S. LOPEZ STREET NEW ORLEANS, LOUISIANA 70119

DATE ISSUED:	7 DECEMBER, 2012
REVISED:	
REVISED:	
REVISED:	
REVISED:	
DRAWN BY:	RMH, MER
CHECKED BY:	DGR, JFM
PHASE:	

BID DOCUMENTS

11085

TITLE:
**1ST FLOOR
PLAN DETAILS**

SHEET:
A5.00