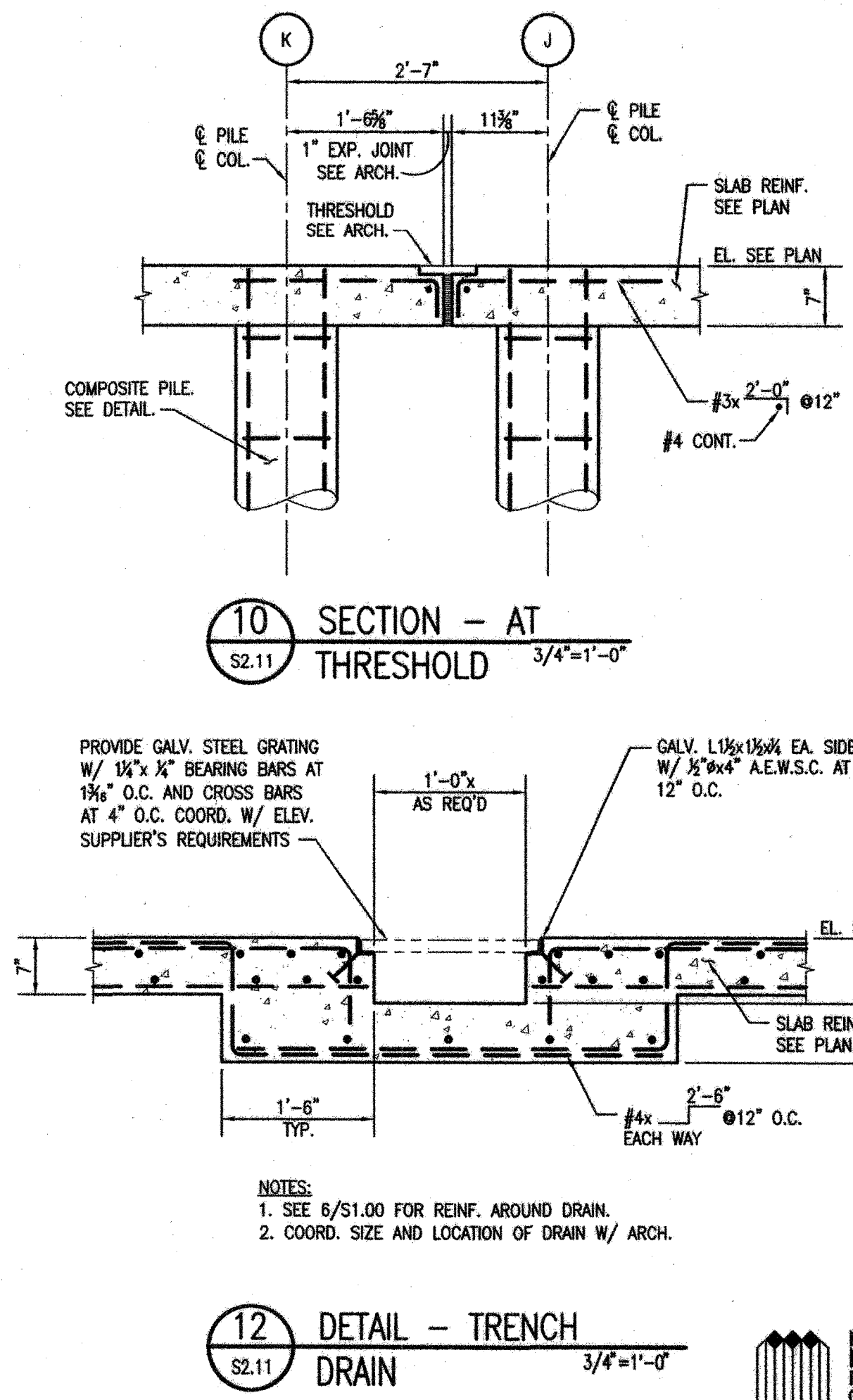
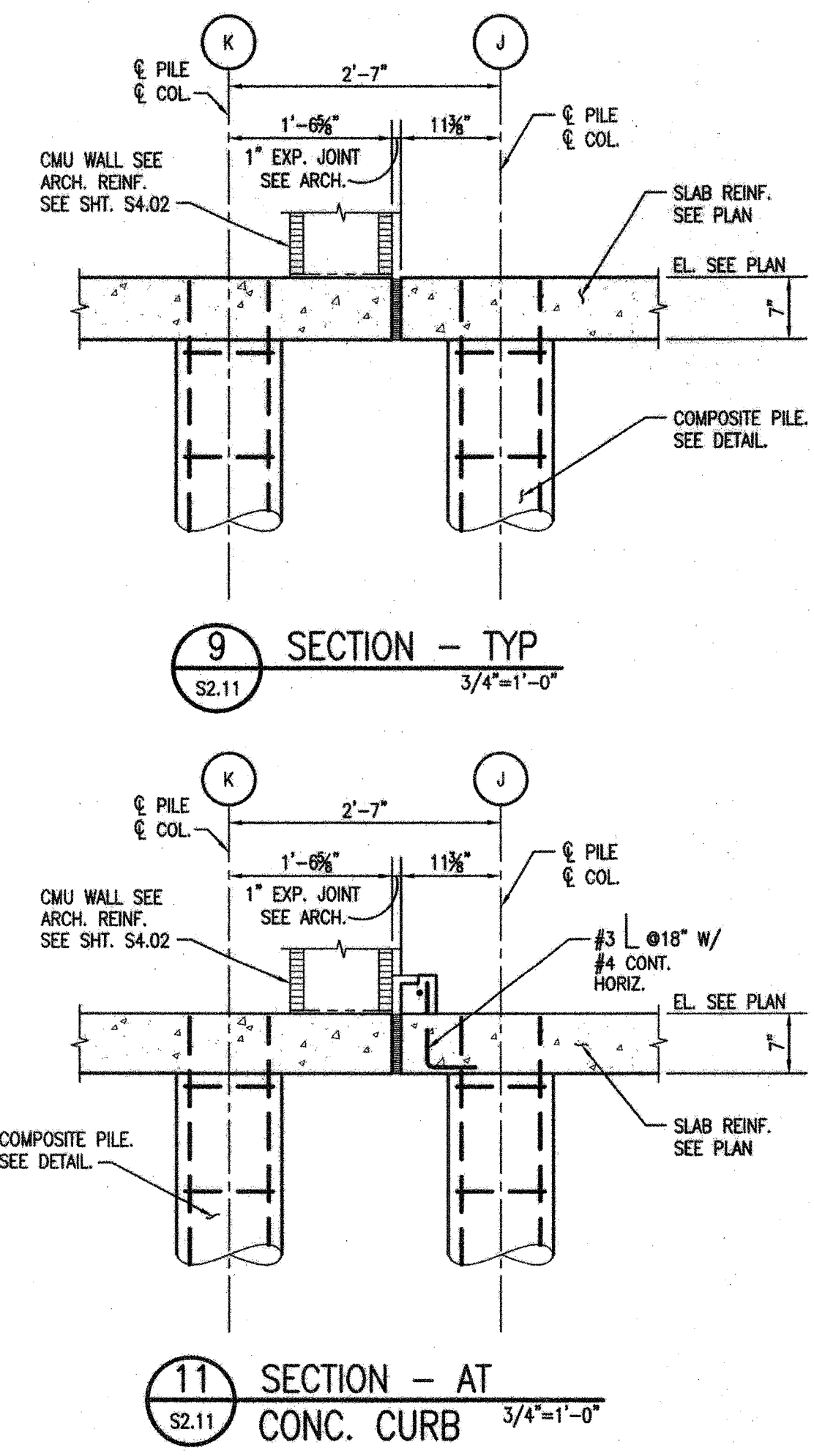
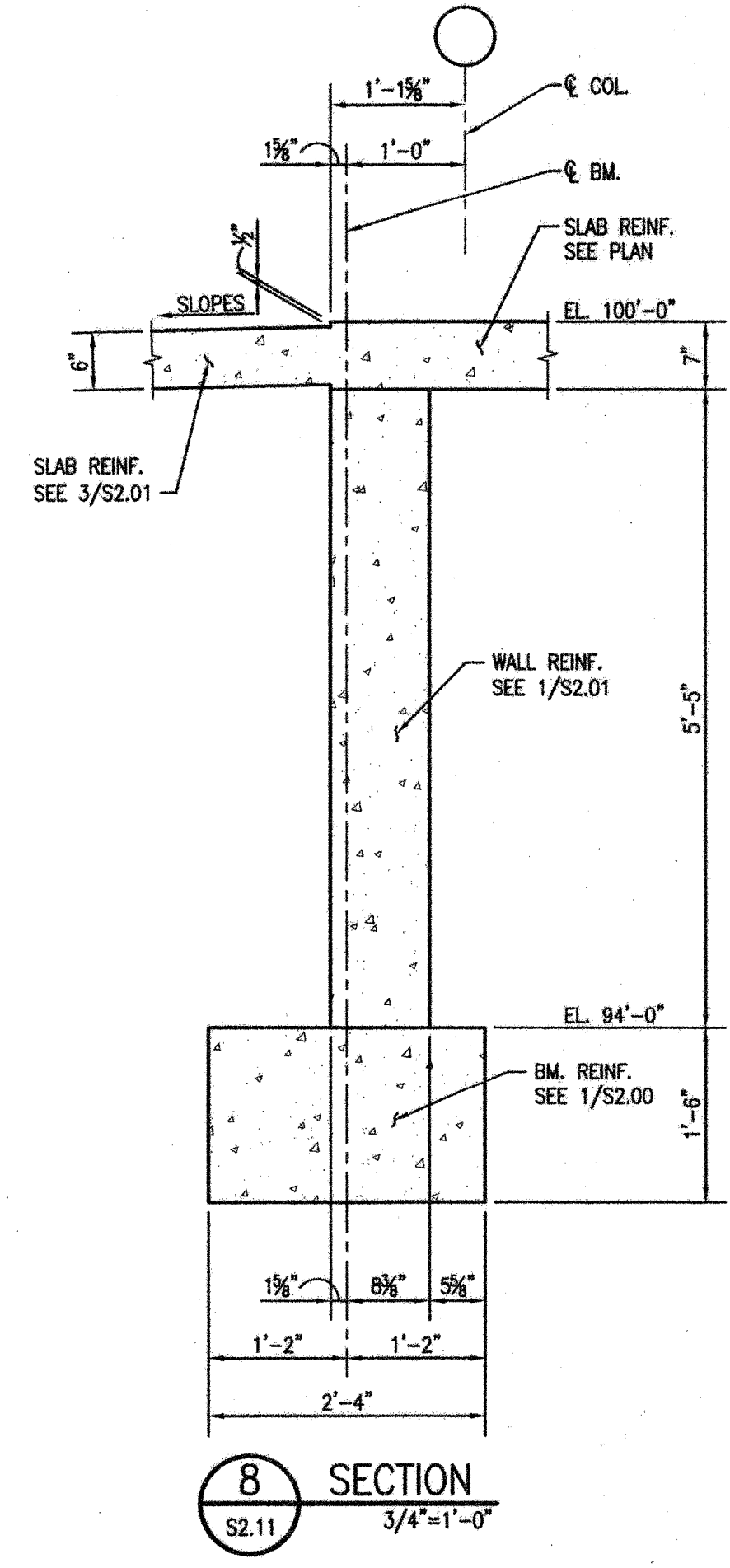
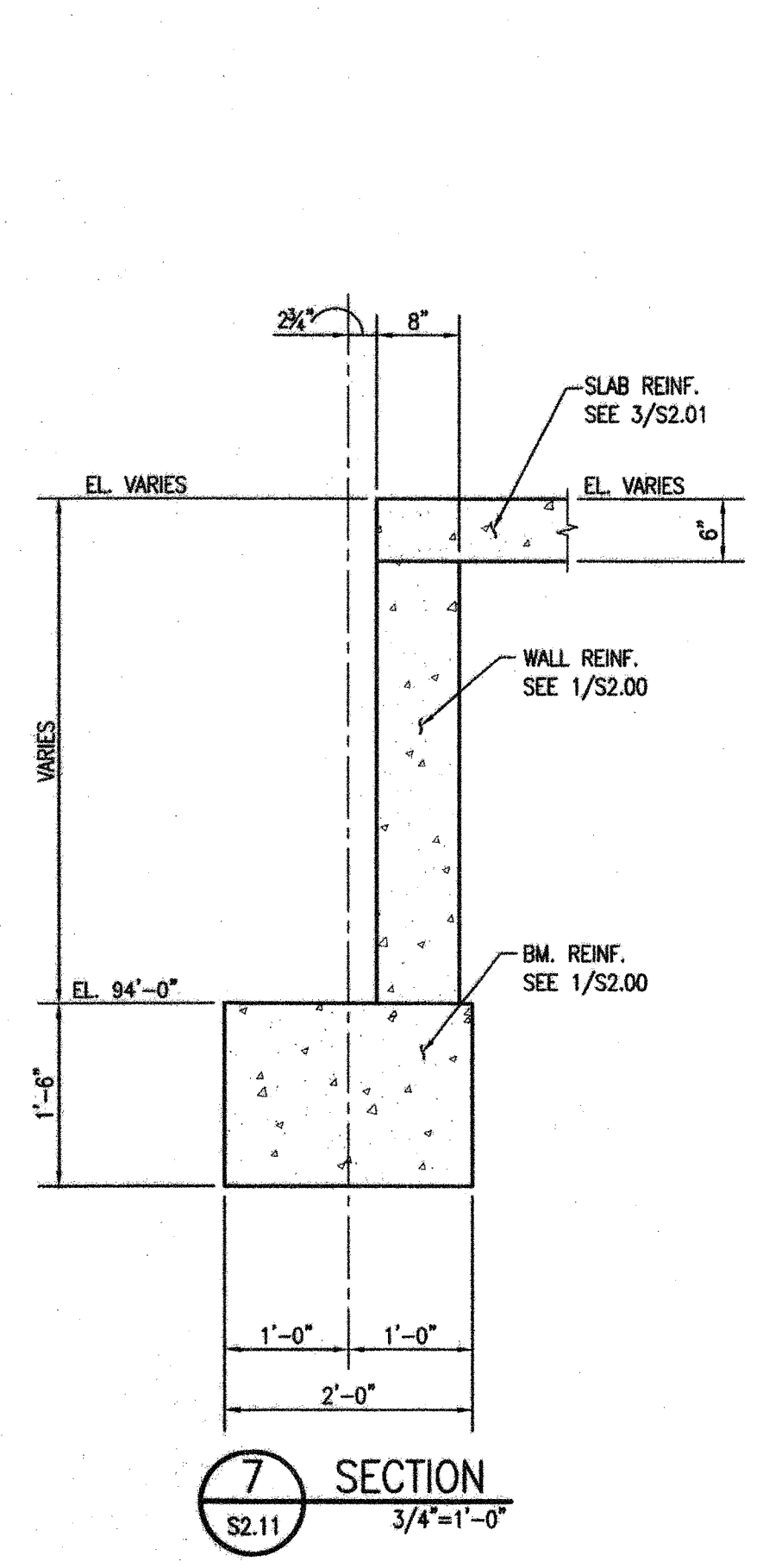
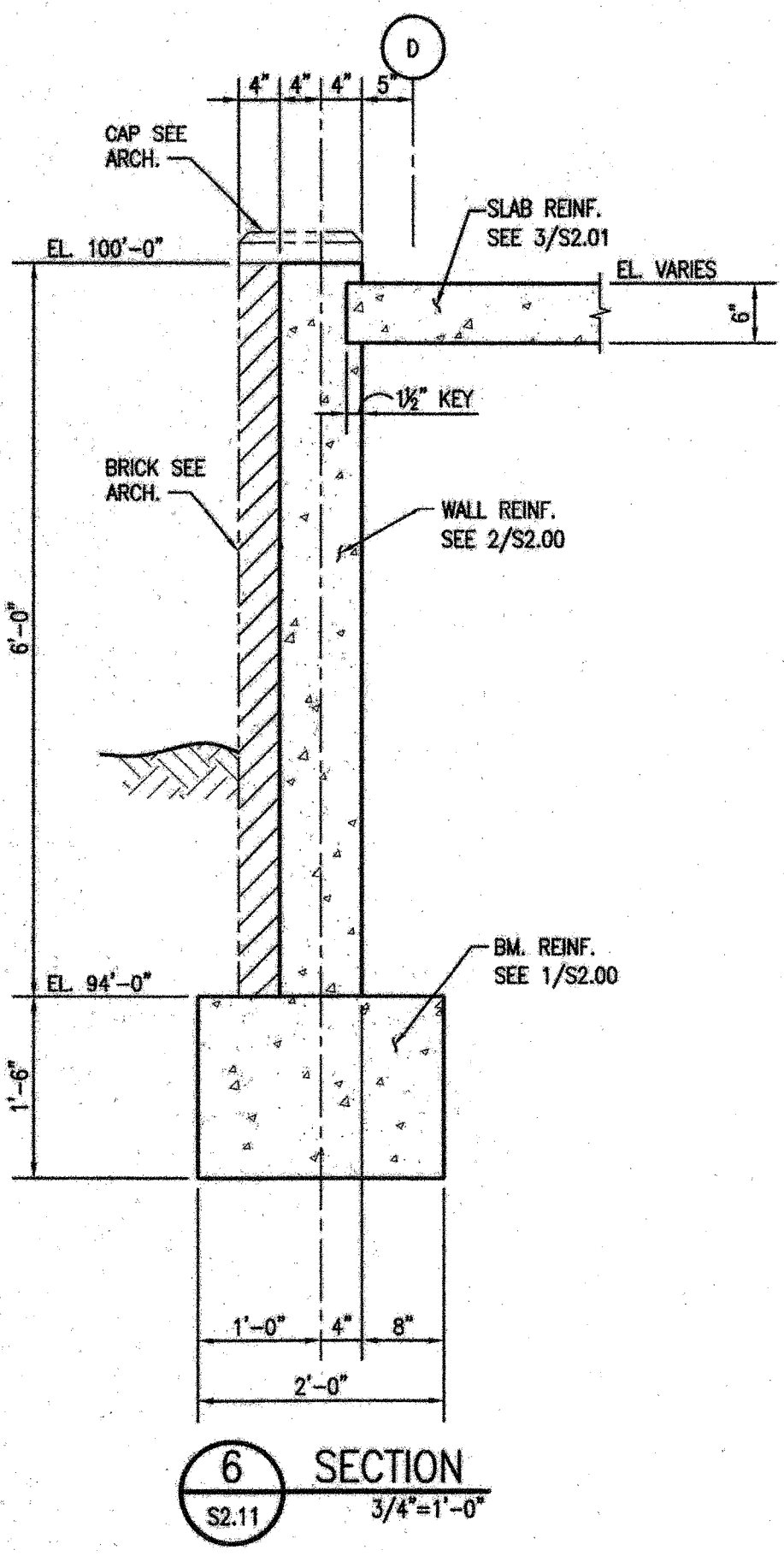
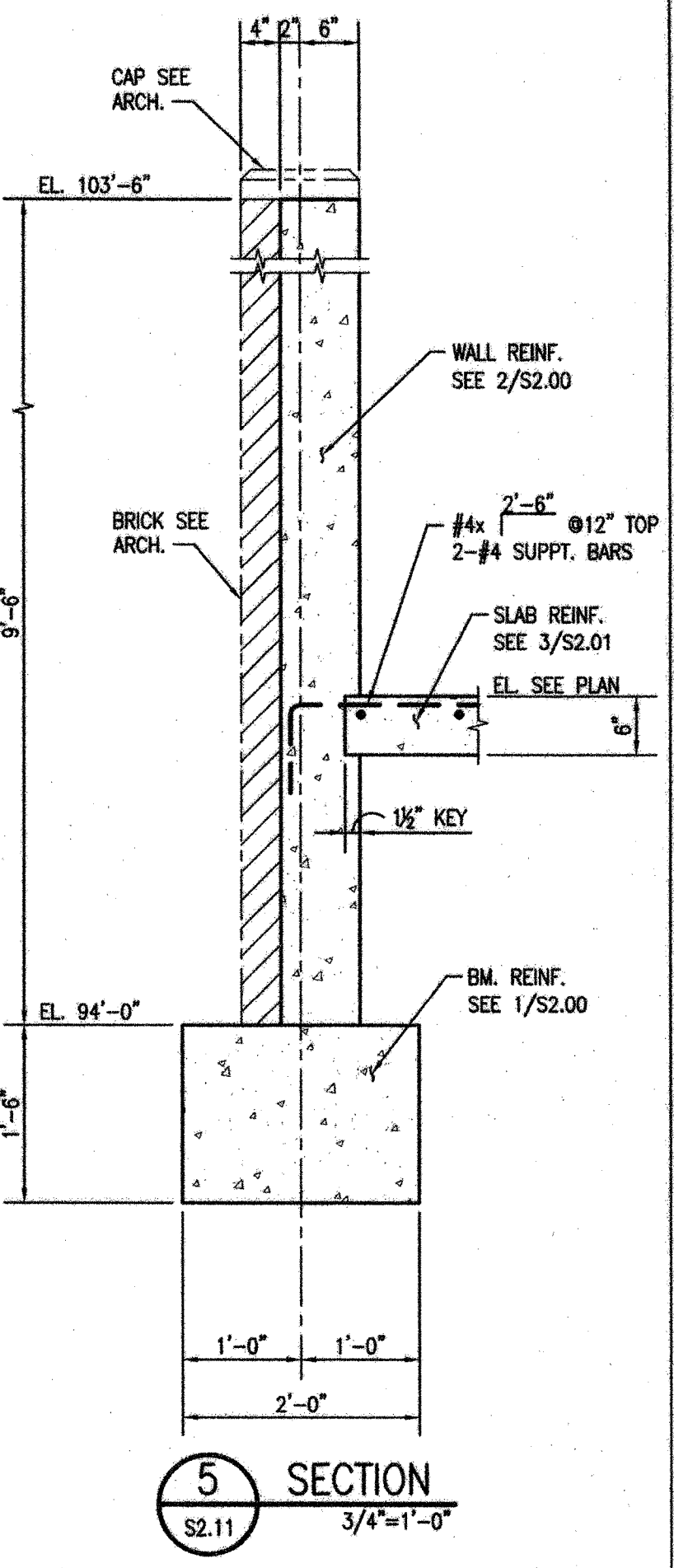
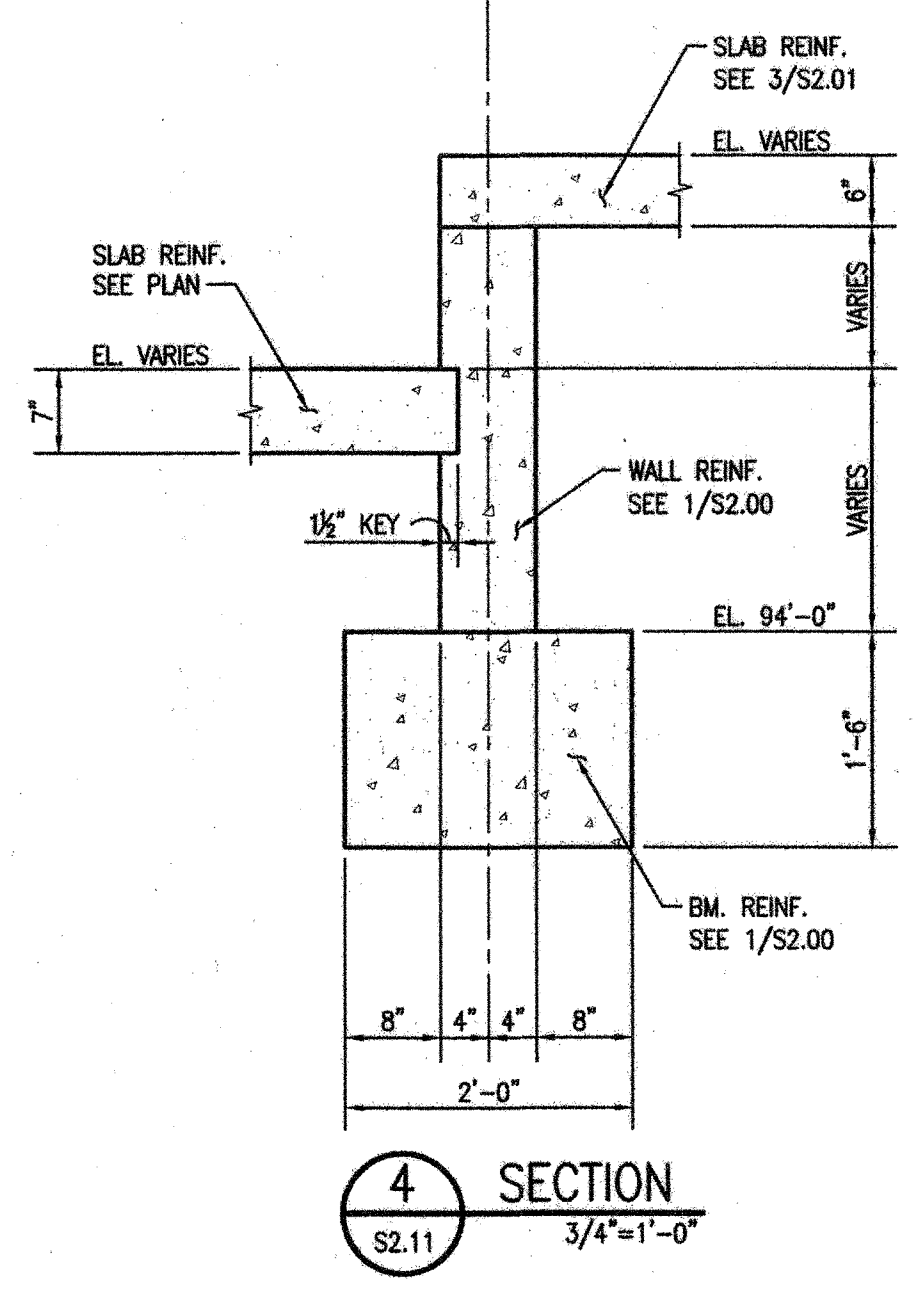
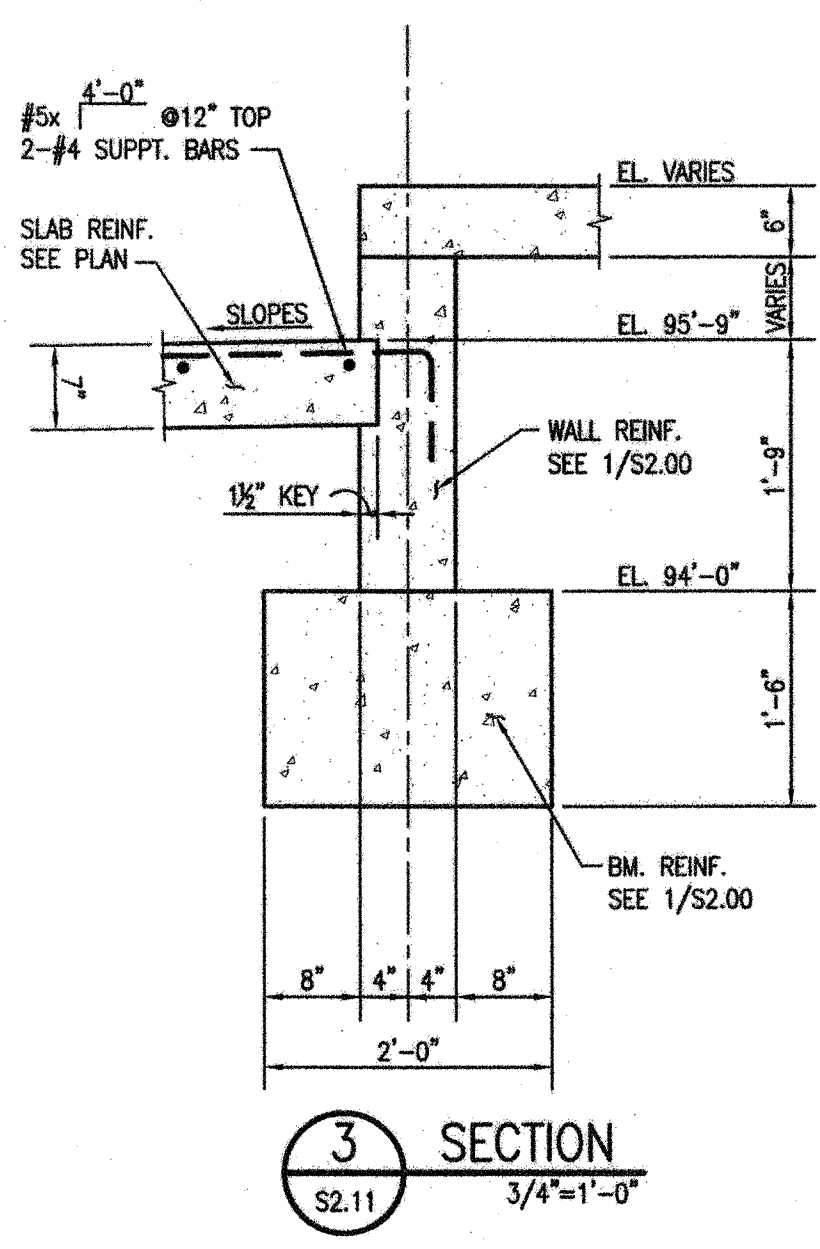
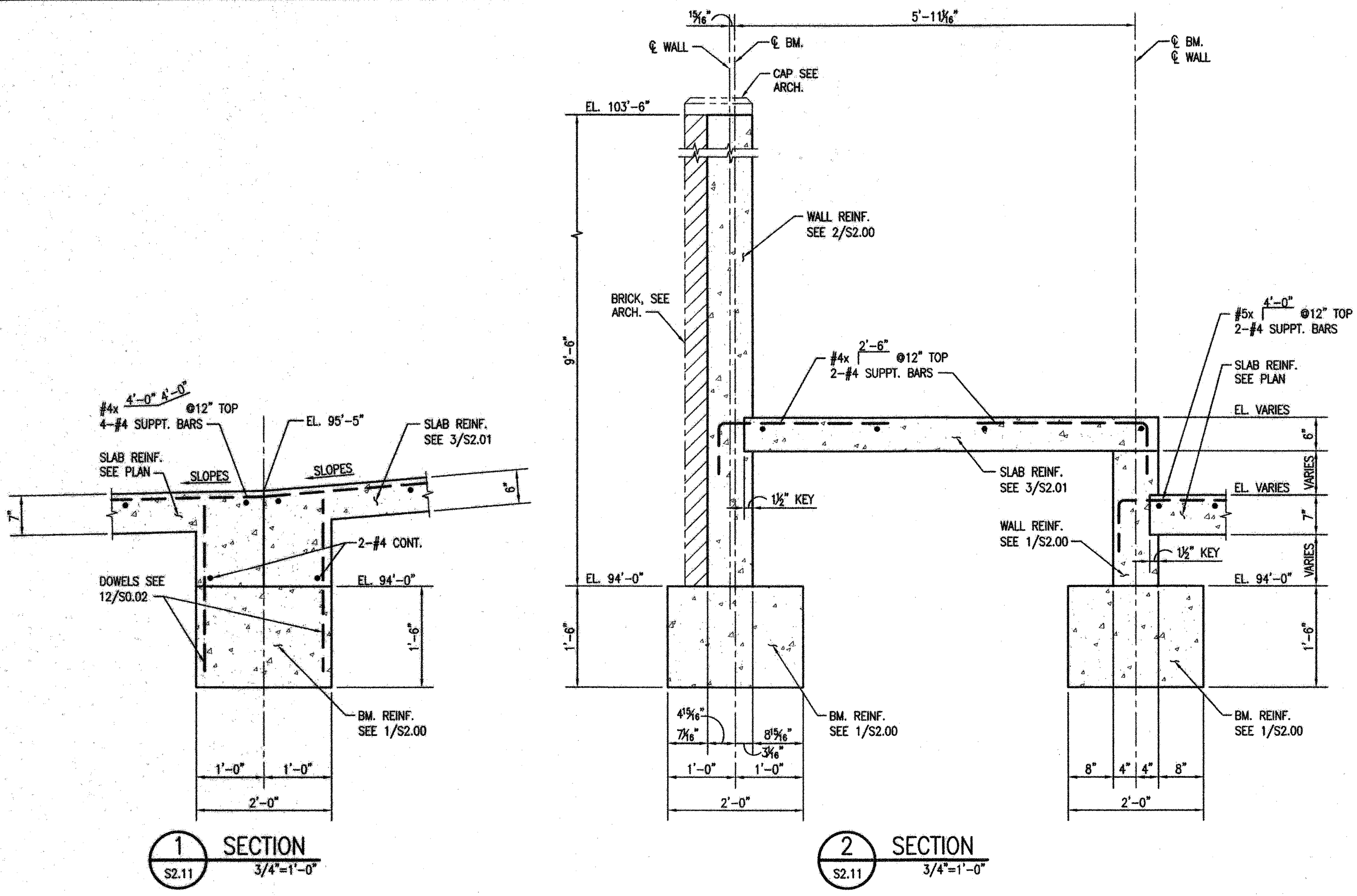


**NEW 3 SECTION ELEMENTARY SCHOOL
AT FISK-HOWARD SCHOOL
RECOVERY SCHOOL DISTRICT**

211 S. LOPEZ STREET NEW ORLEANS, LOUISIANA 70119



PROVIDE GALV. STEEL GRATING
W/ 1/4" x 1/2" BEARING BARS AT
1 1/2" O.C. AND CROSS BARS
AT 4" O.C. COORD. W/ ELEV.
SUPPLIER'S REQUIREMENTS

1'-0" x 1'-0" AS REQ'D

GALV. L1 1/2" x 1/2" EA. SIDE
W/ 1/2" x 1/4" A.E.W.S.C. AT
12" O.C.

NOTES:
1. SEE 6/S1.00 FOR REINF. AROUND DRAIN.
2. COORD. SIZE AND LOCATION OF DRAIN W/ ARCH.

DATE ISSUED: 7 DECEMBER, 2012
REVISED:
REVISED:
REVISED:
REVISED:
DRAWN BY: WFD
CHECKED BY: JAS
PHASE:

BID DOCUMENTS

11085

SECTIONS AND DETAILS

SHEET:

S2.11

