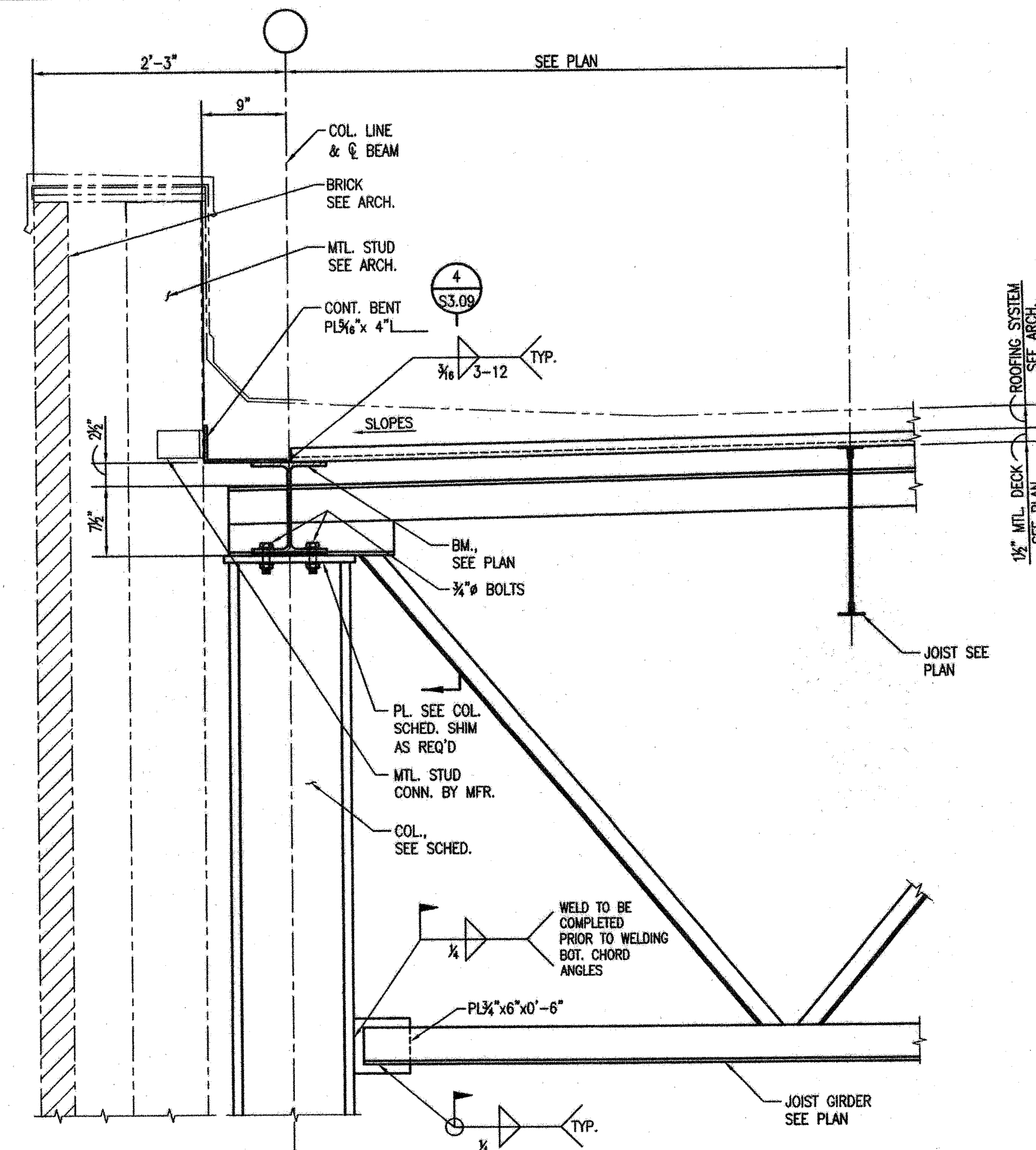


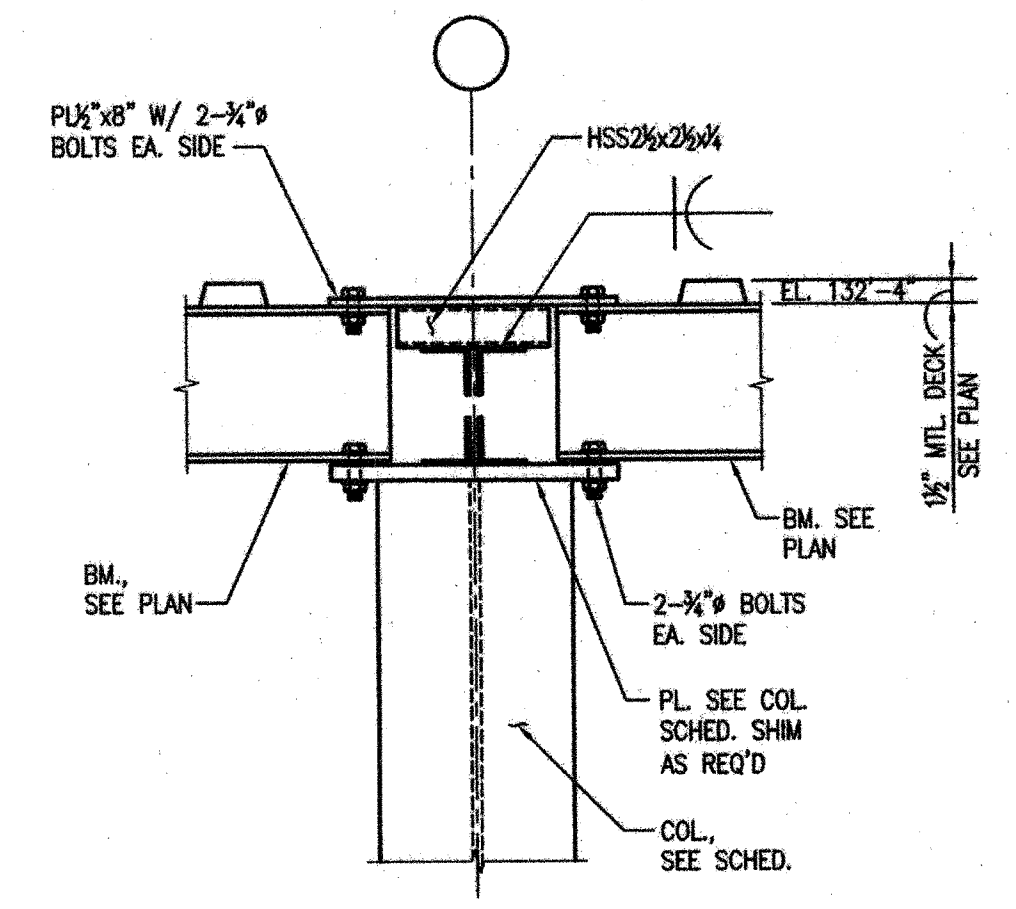
NOTE:
SEE 12/S4.01 FOR CHORD SPLICE DETAIL.

1 SECTION-3RD FLOOR
S3.09 1"=1'-0"

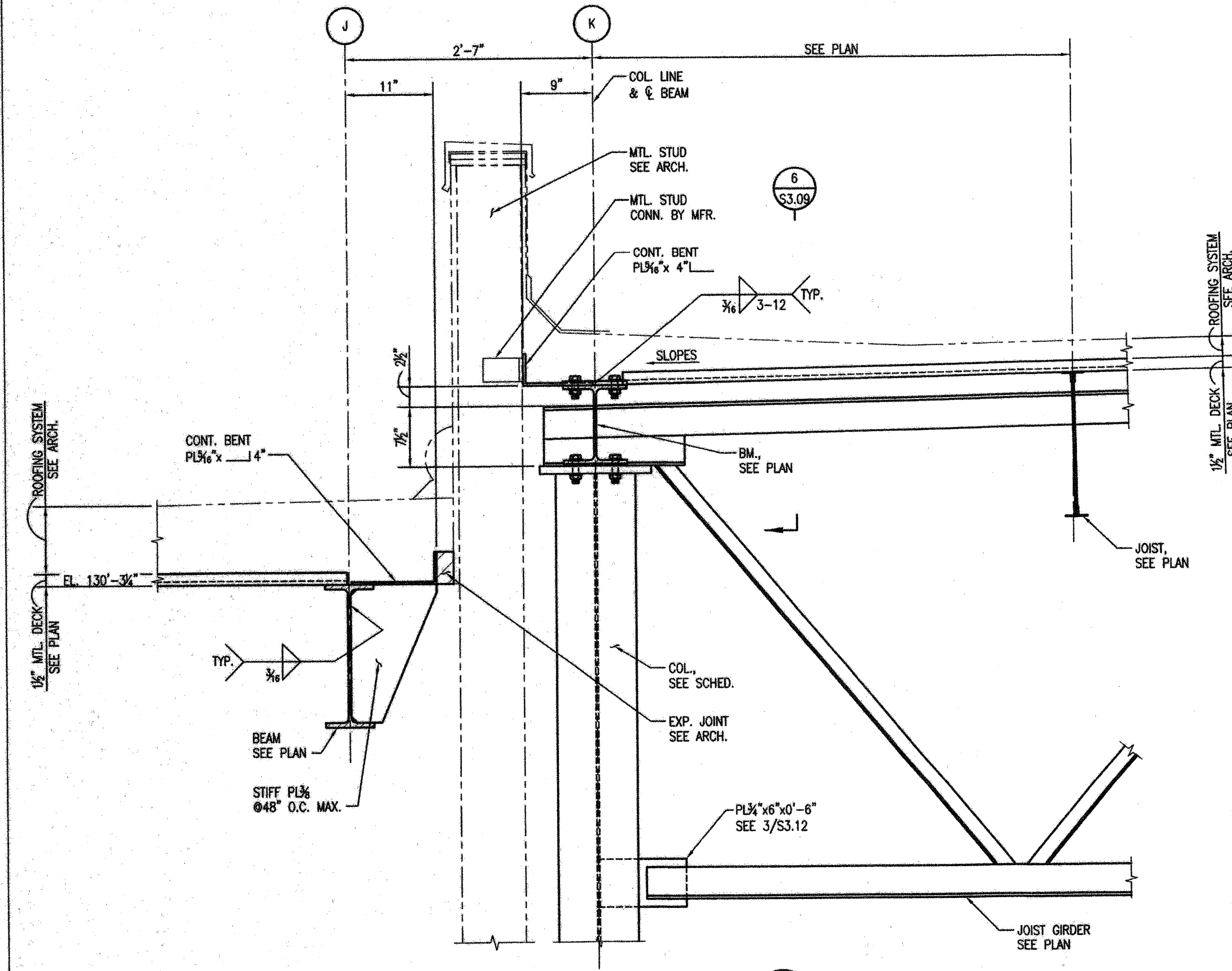
2 SECTION-3RD FLOOR
S3.09 1"=1'-0"



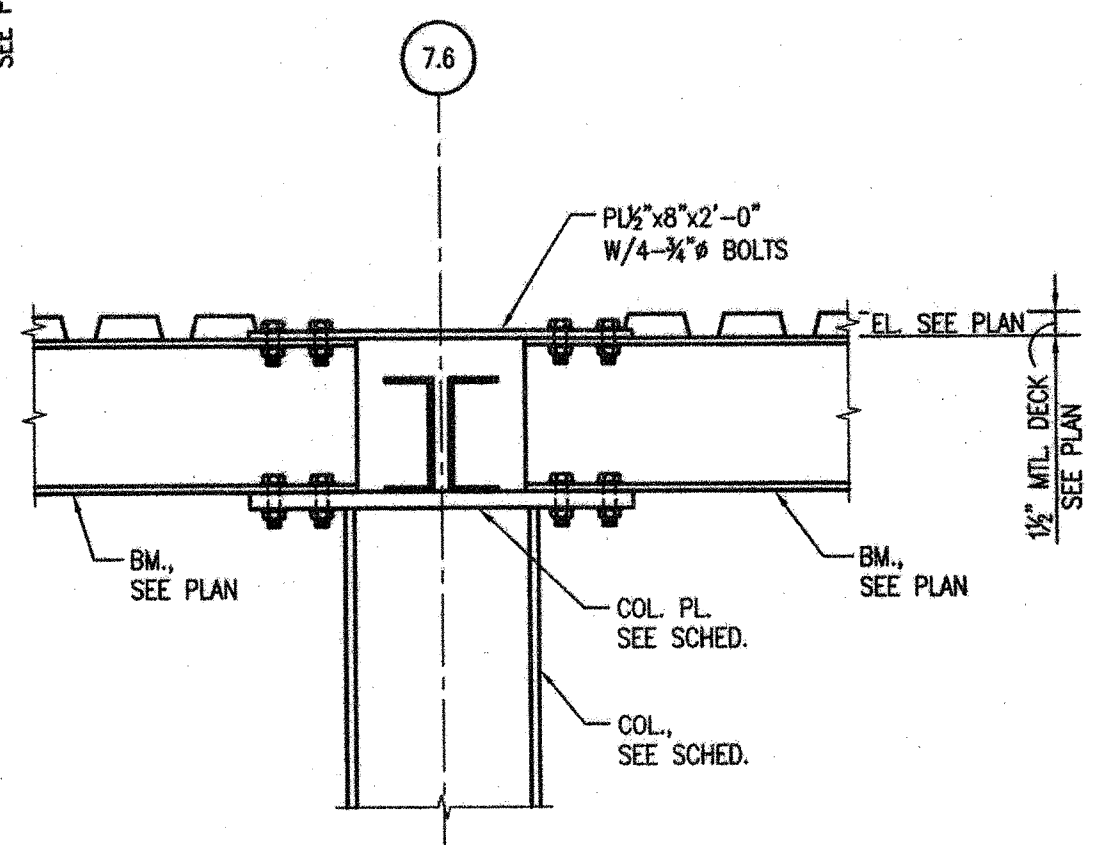
3 SECTION-3RD FLOOR
S3.09 1"=1'-0"



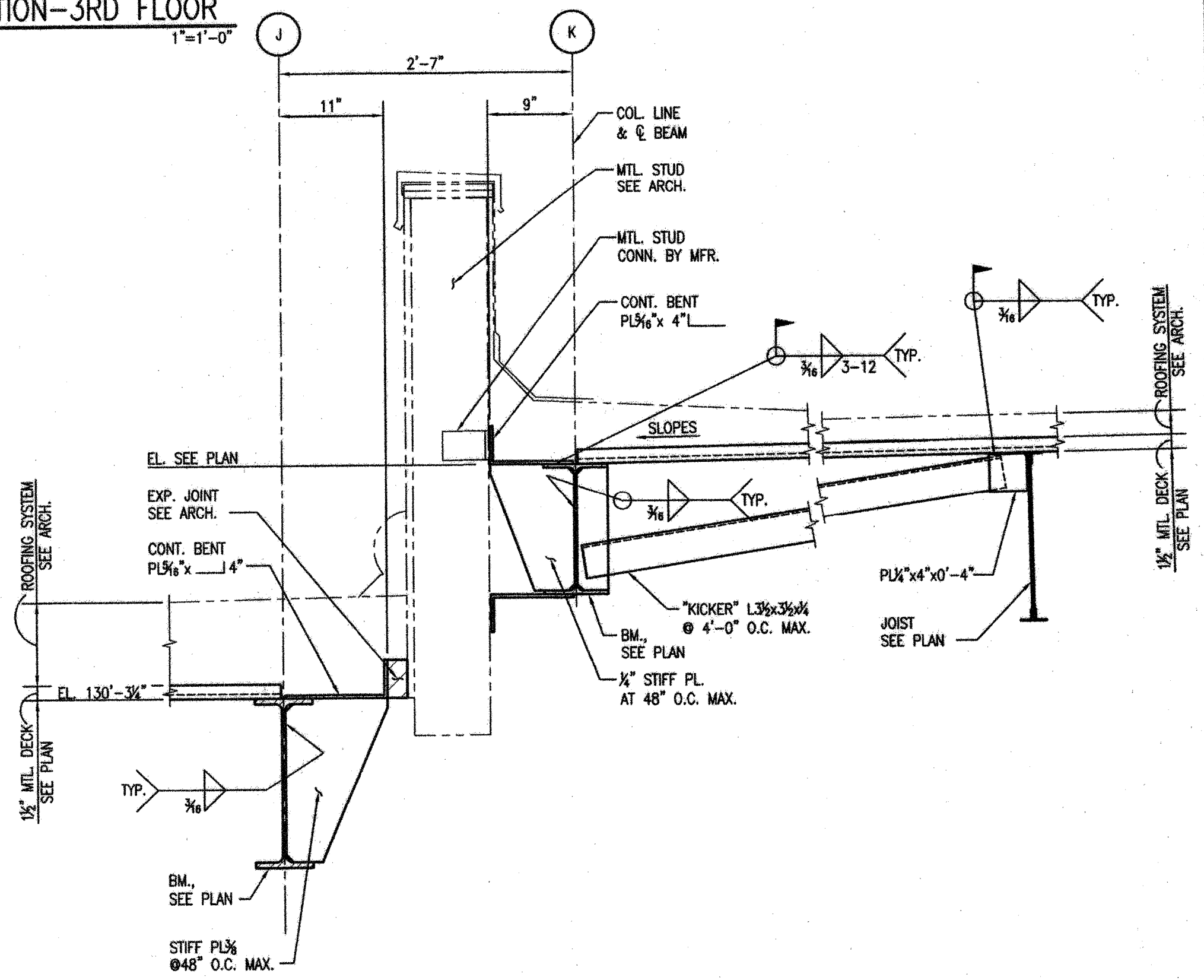
4 DETAIL
S3.09 1"=1'-0"



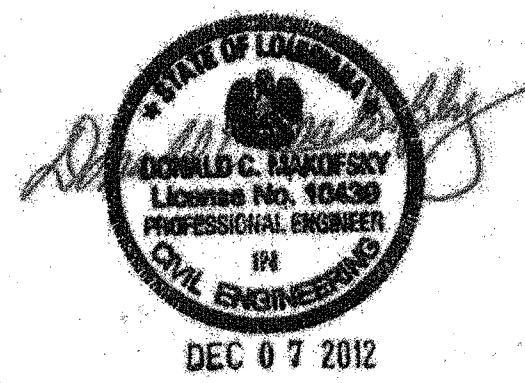
5 SECTION-3RD FLOOR
S3.09 1"=1'-0"



6 DETAIL
S3.09 1"=1'-0"



7 SECTION-3RD FLOOR
S3.09 1"=1'-0"



DEC 07 2012

**NEW 3 SECTION ELEMENTARY SCHOOL
AT FISK-HOWARD SCHOOL
RECOVERY SCHOOL DISTRICT**

211 S. LOPEZ STREET NEW ORLEANS, LOUISIANA 70119

DATE ISSUED:	7 DECEMBER, 2012
REVISED:	
REVISED:	
REVISED:	
DRAWN BY:	WFD
CHECKED BY:	JAS
PHASE:	

BID DOCUMENTS

11085

TITLE:
SECTIONS AND DETAILS

SHEET:

S3.09



MORPHY MAKOFSKY INCORPORATED
CONSULTING ENGINEERS
(504)488-1517
JOB NO. 12055