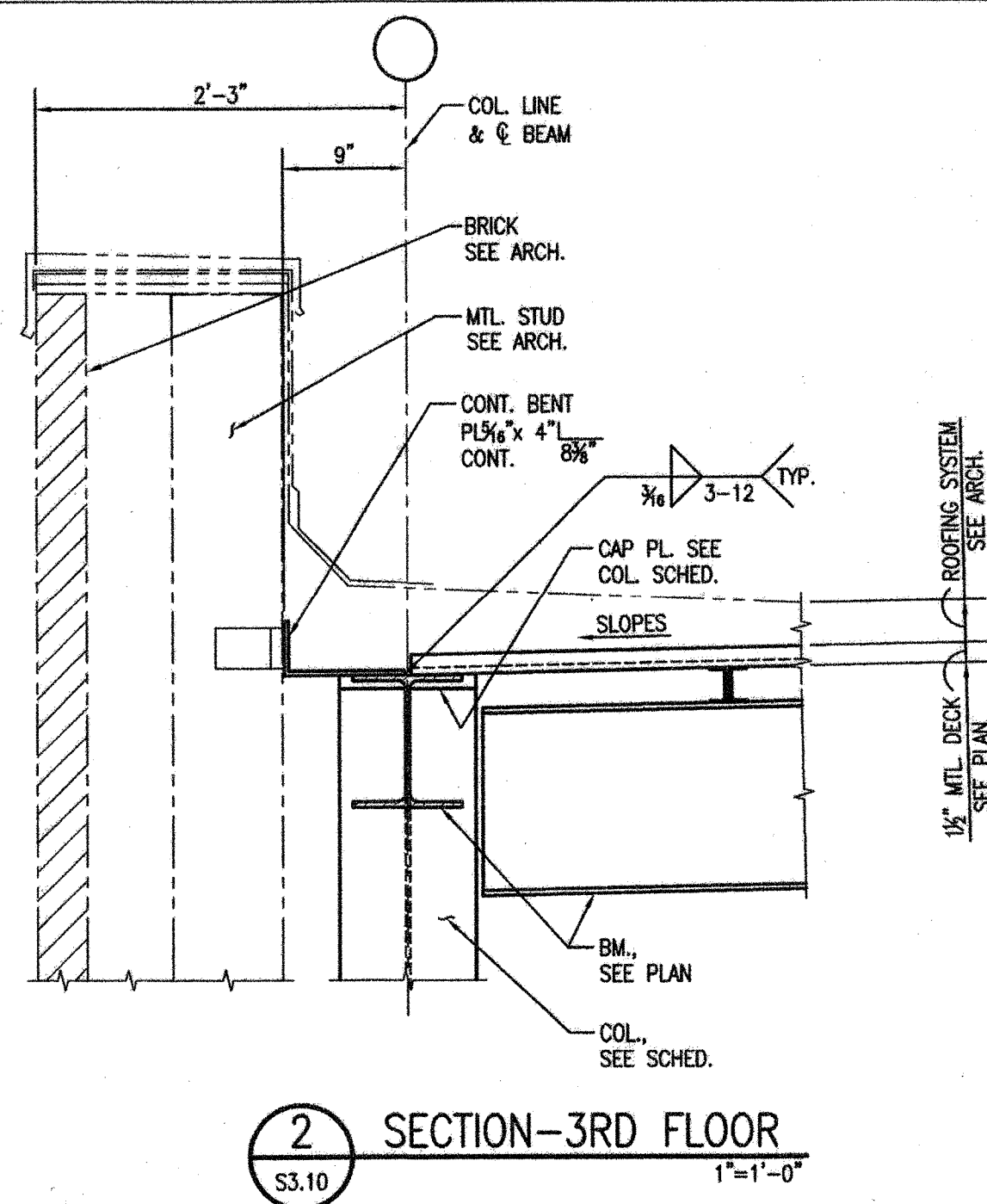
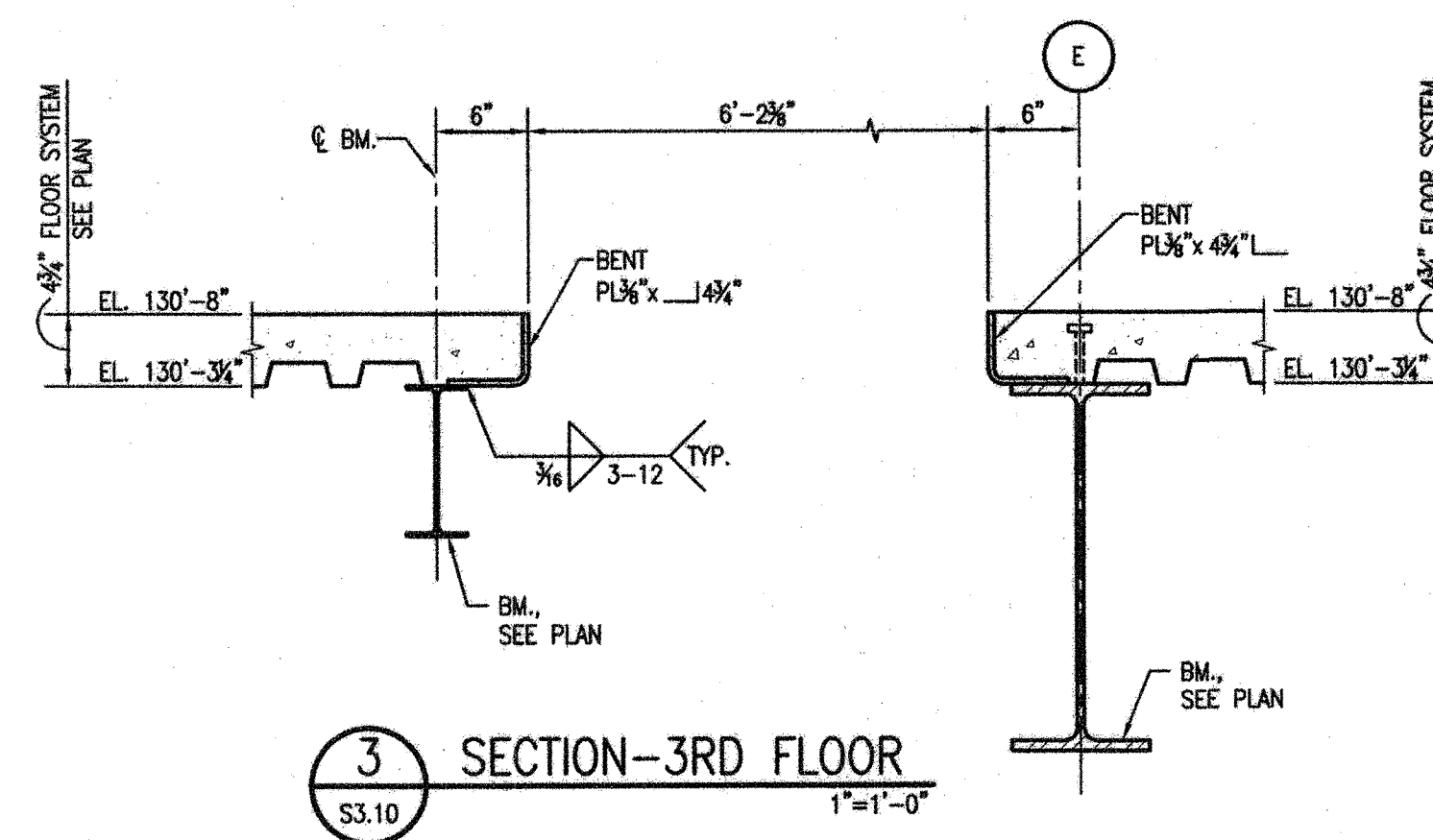


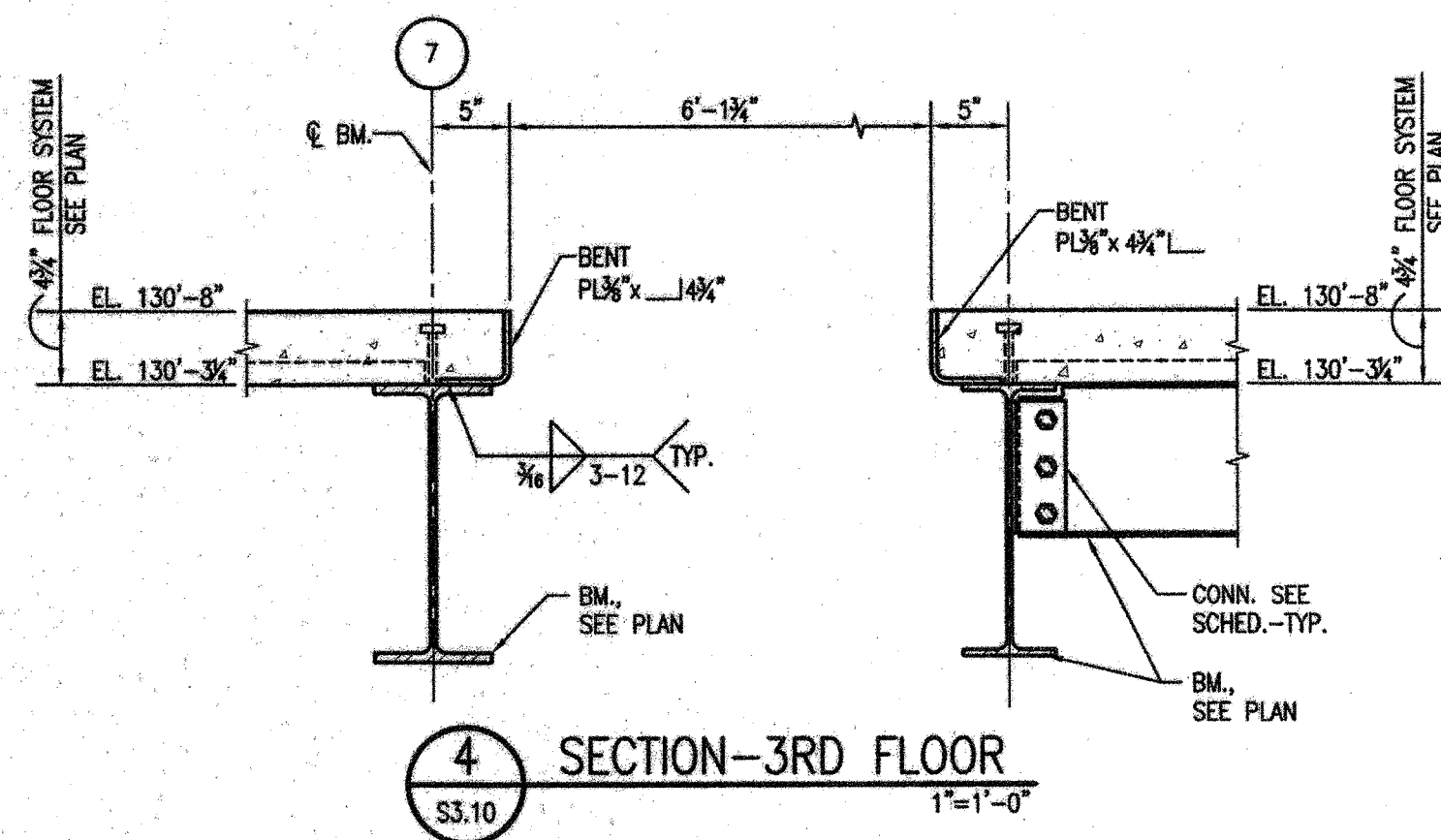
1 SECTION
S3.10 1"=1'-0"



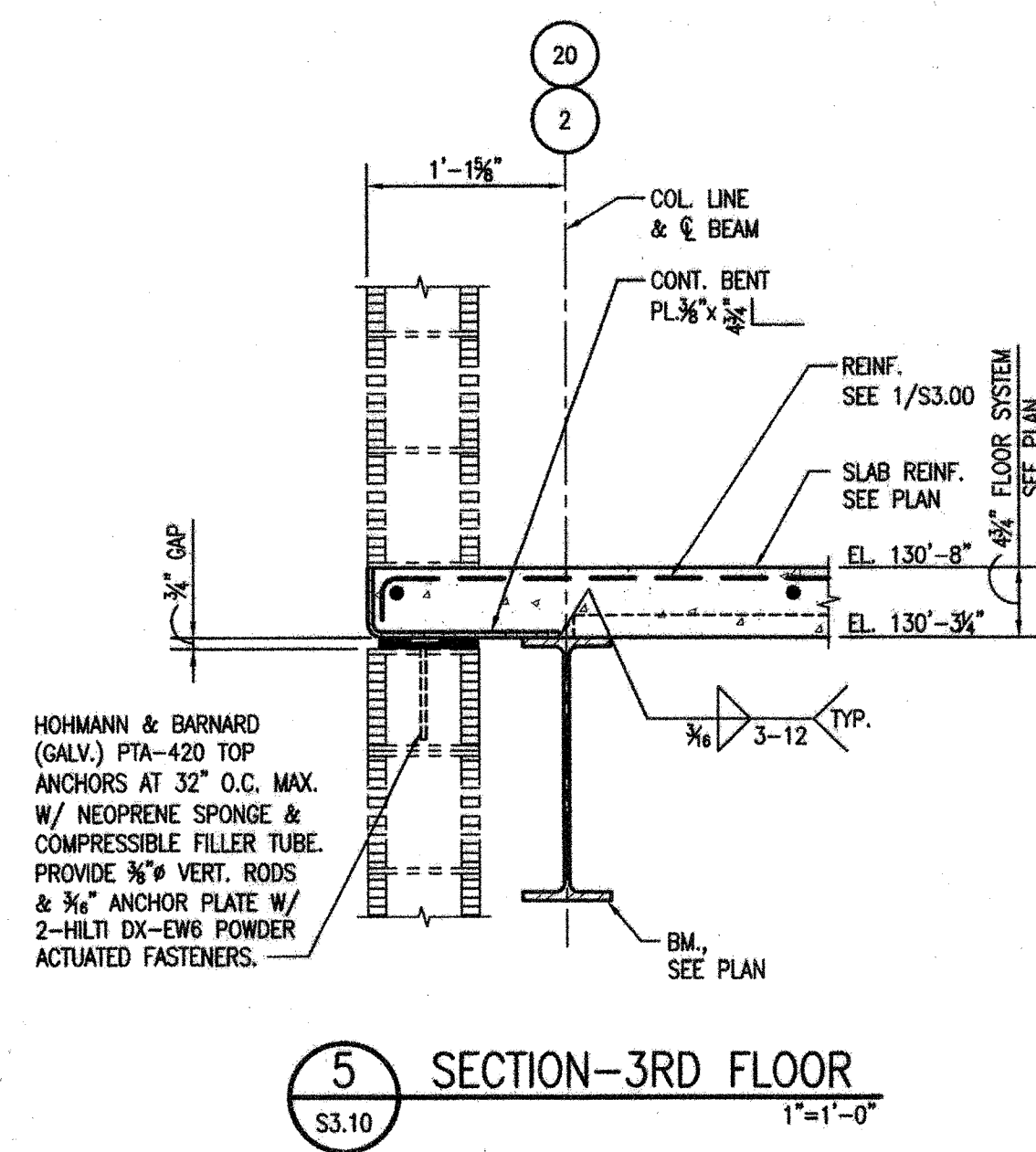
2 SECTION-3RD FLOOR
S3.10 1"=1'-0"



3 SECTION-3RD FLOOR
S3.10 1"=1'-0"



4 SECTION-3RD FLOOR
S3.10 1"=1'-0"



5 SECTION-3RD FLOOR
S3.10 1"=1'-0"

HOHMANN & BARNARD (GALV.) PTA-420 TOP ANCHORS AT 32" O.C. MAX. W/ NEOPRENE SPONGE & COMPRESSIBLE FILLER TUBE. PROVIDE 3/8" VERT. RODS & 3/8" ANCHOR PLATE W/ 2-HILTI DX-EWB POWDER ACTUATED FASTENERS.



DEC 07 2012

**NEW 3 SECTION ELEMENTARY SCHOOL
AT FISK-HOWARD SCHOOL
RECOVERY SCHOOL DISTRICT**

211 S. LOPEZ STREET NEW ORLEANS, LOUISIANA 70119

DATE ISSUED:	7 DECEMBER, 2012
REVISED:	
REVISED:	
REVISED:	
REVISED:	
DRAWN BY:	WFD
CHECKED BY:	JAS
PHASE:	

BID DOCUMENTS

11085

TITLE:
SECTIONS AND DETAILS

SHEET:
S3.10



MORPHY
MAKOFSKY
INCORPORATED
CONSULTING ENGINEERS
(504)488-1317
JOB NO. 12003