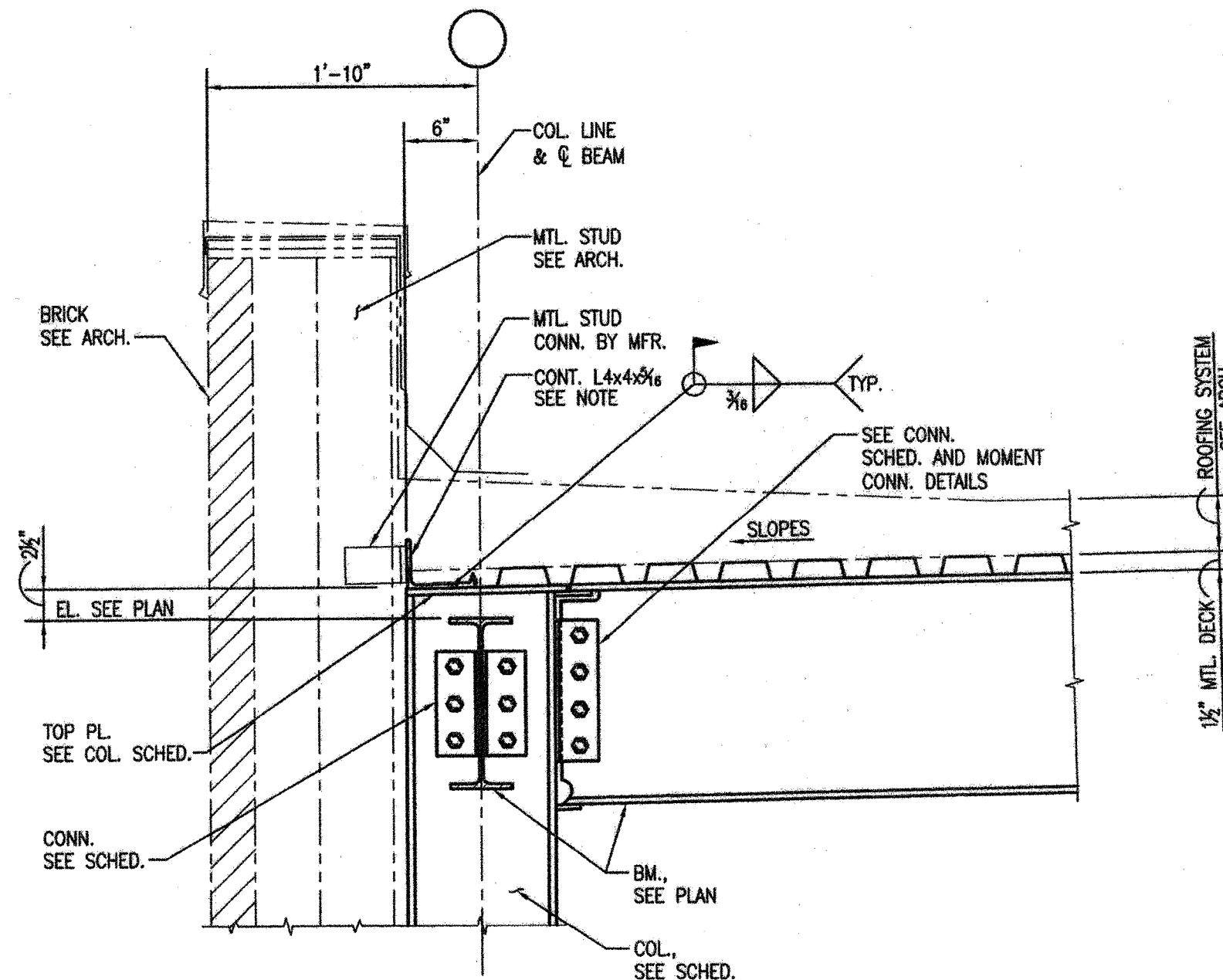


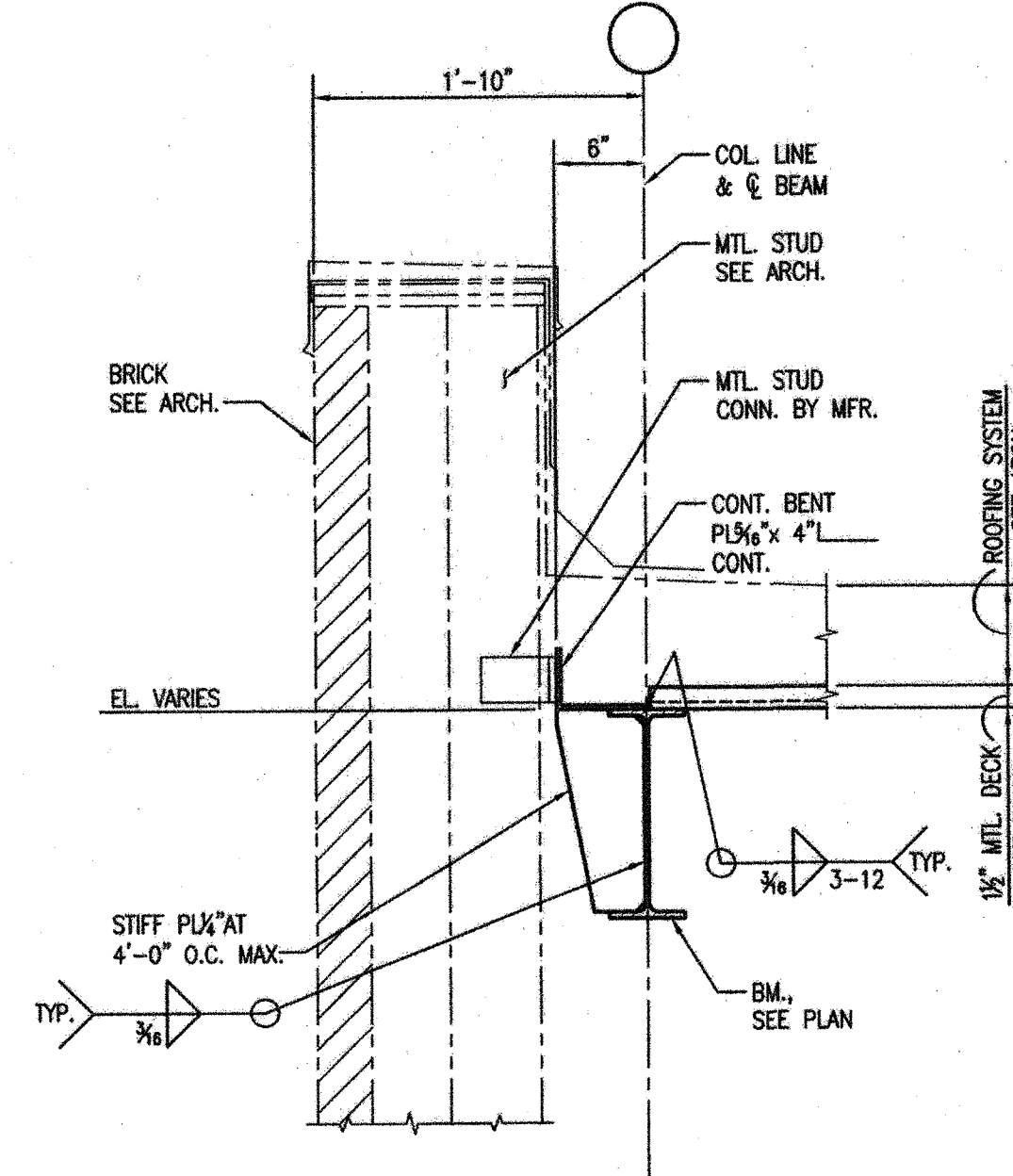
NOTE:
SEE 12/S4.01 FOR CHORD SPLICE DETAIL.

1 SECTION
S3.11 1"=1'-0"

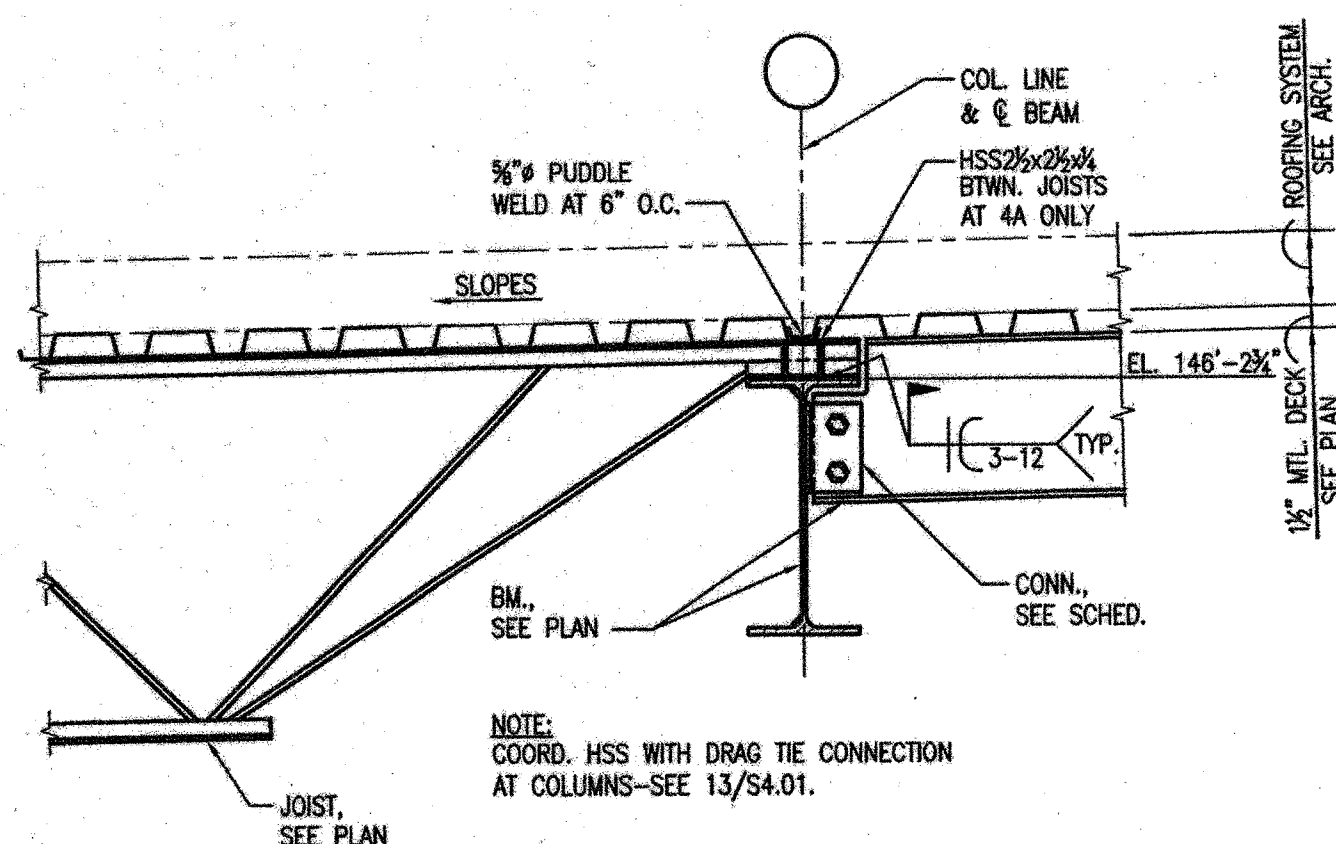


NOTE:
SEE 12/S4.01 FOR CHORD SPLICE DETAIL.

2 SECTION
S3.11 1"=1'-0"

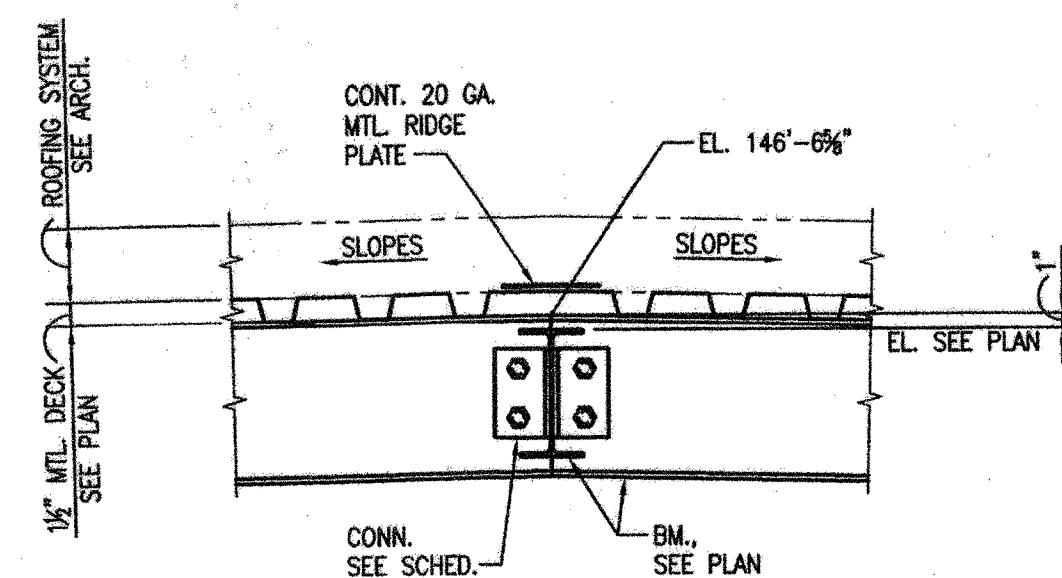


3 SECTION
S3.11 1"=1'-0"

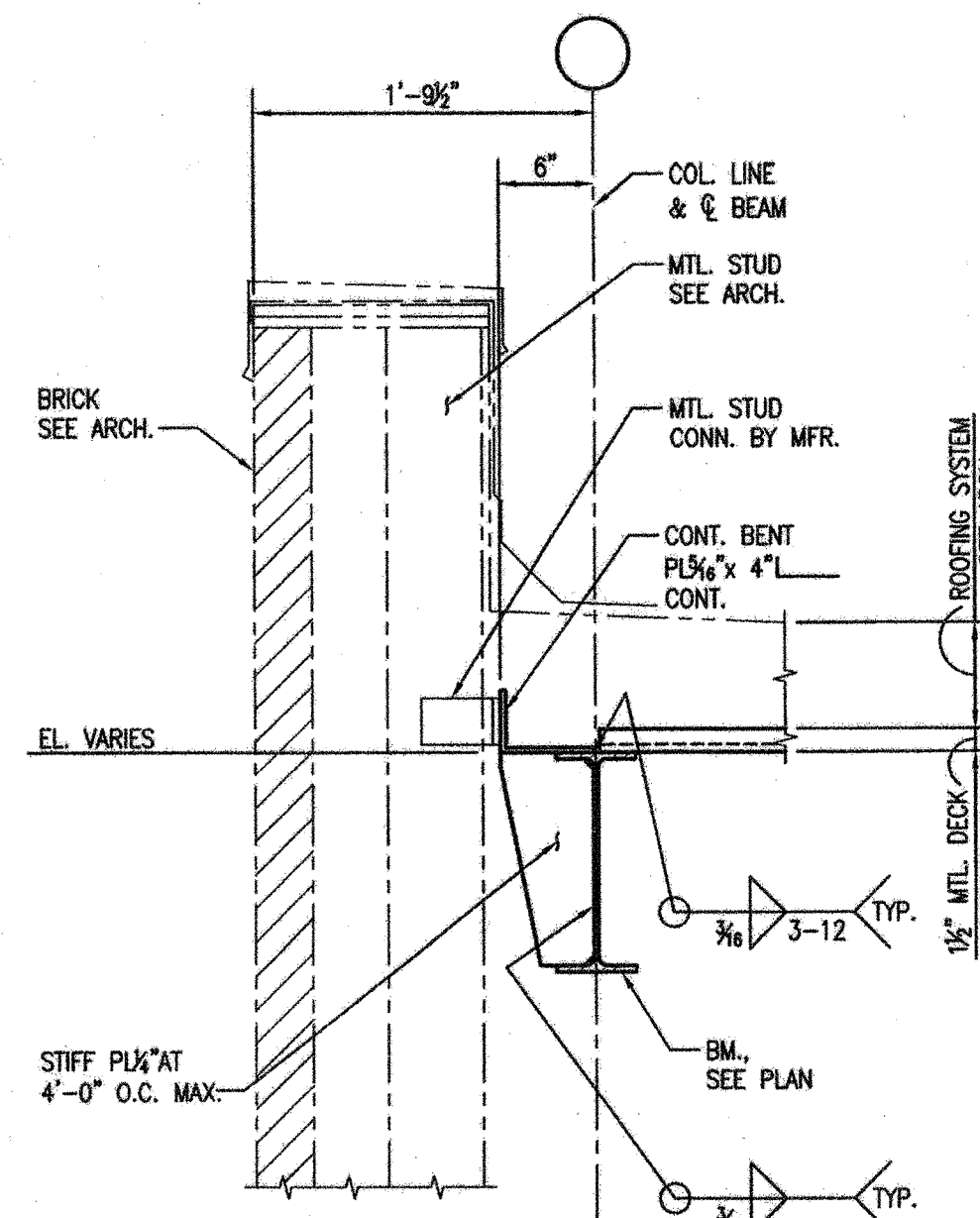


NOTE:
COORD. HSS WITH DRAG TIE CONNECTION
AT COLUMNS-SEE 13/S4.01.

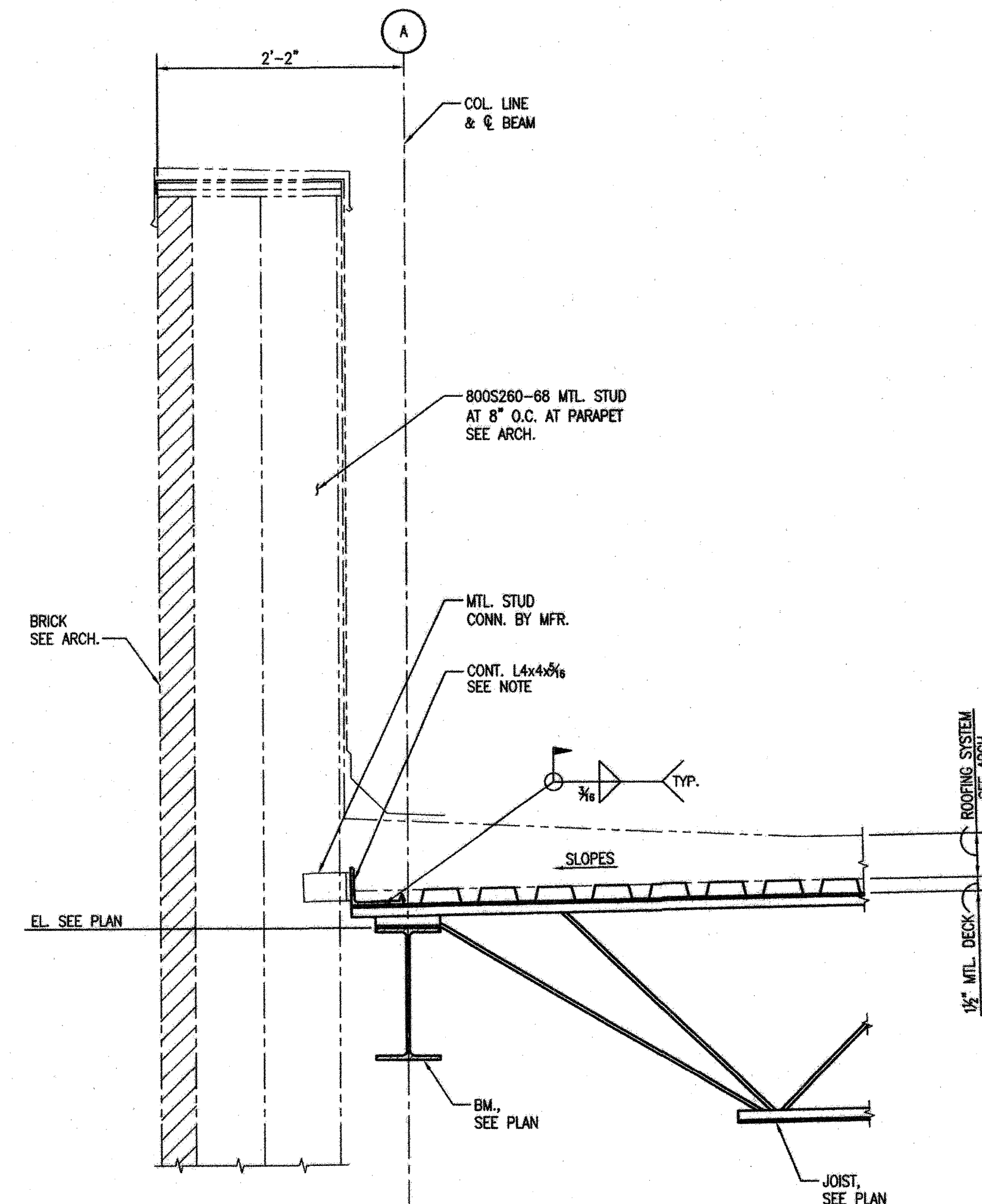
4A 4B SECTION
S4.01 S3.11 1"=1'-0"



5 SECTION
S3.11 1"=1'-0"



6 SECTION
S3.11 1"=1'-0"



NOTE:
SEE 12/S4.01 FOR CHORD SPLICE DETAIL.

7 SECTION
S3.11 1"=1'-0"

NEW 3 SECTION ELEMENTARY SCHOOL
AT FISK-HOWARD SCHOOL
RECOVERY SCHOOL DISTRICT

211 S. LOPEZ STREET NEW ORLEANS, LOUISIANA 70119

DATE ISSUED: 7 DECEMBER, 2012
REVISED:
REVISED:
REVISED:
REVISED:
DRAWN BY: WFD
CHECKED BY: JAS
PHASE:

BID DOCUMENTS

11085

TITLE:
SECTIONS AND DETAILS

SHEET:

S3.11