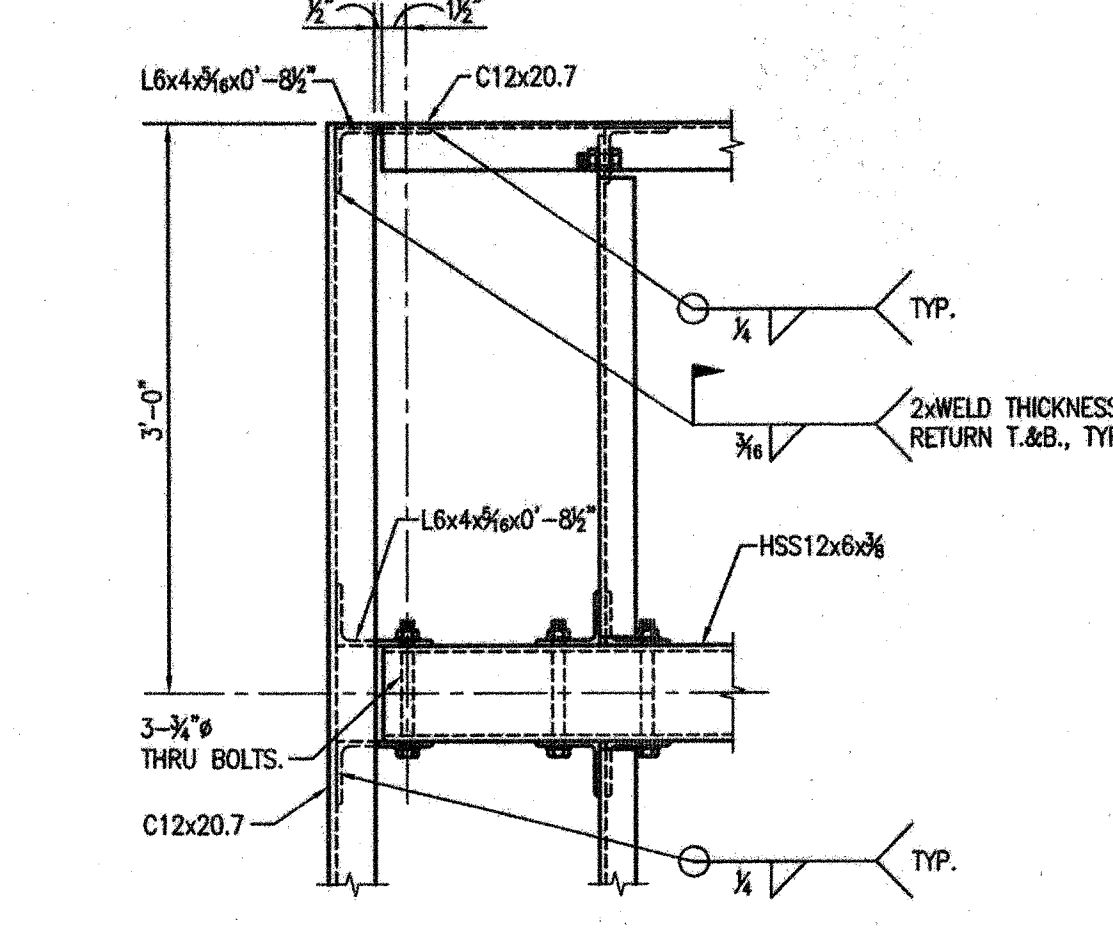
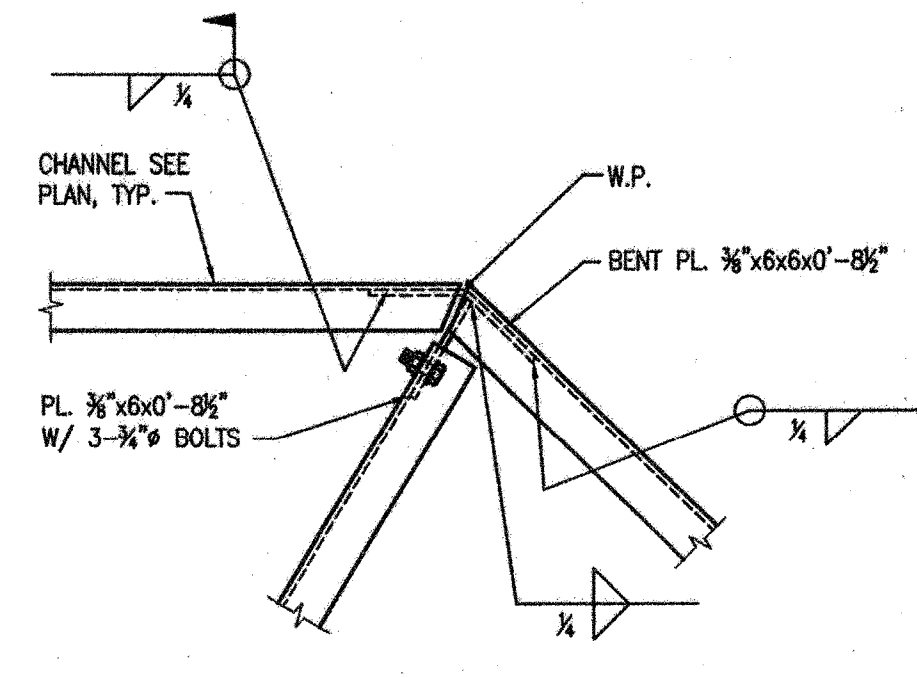


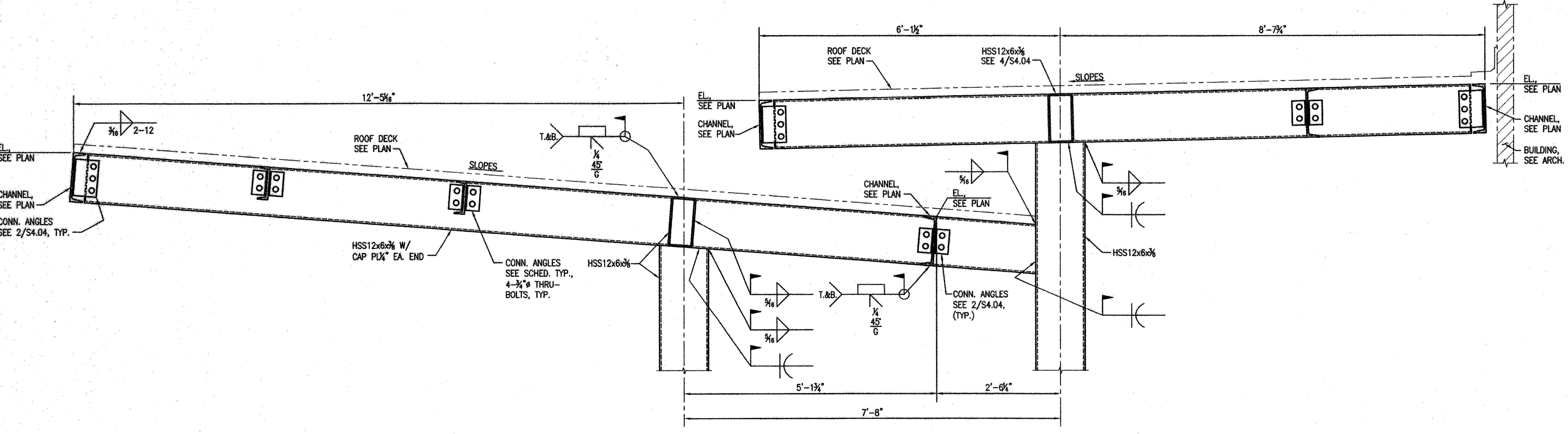
1 SECTION
S4.04 3/4"=1'-0"



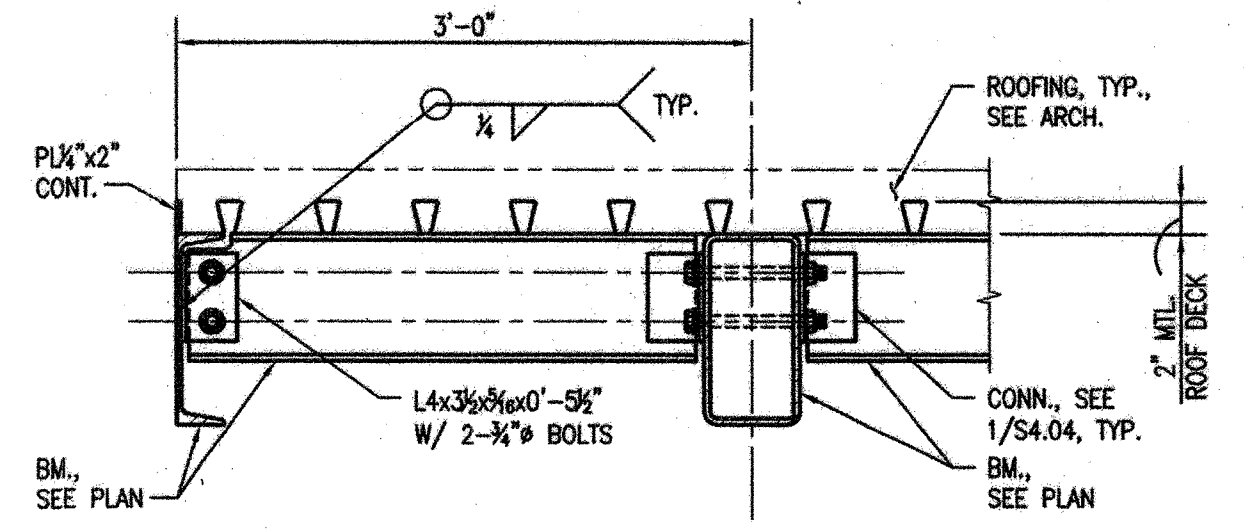
2 DETAIL
S4.04 1"=1'-0"



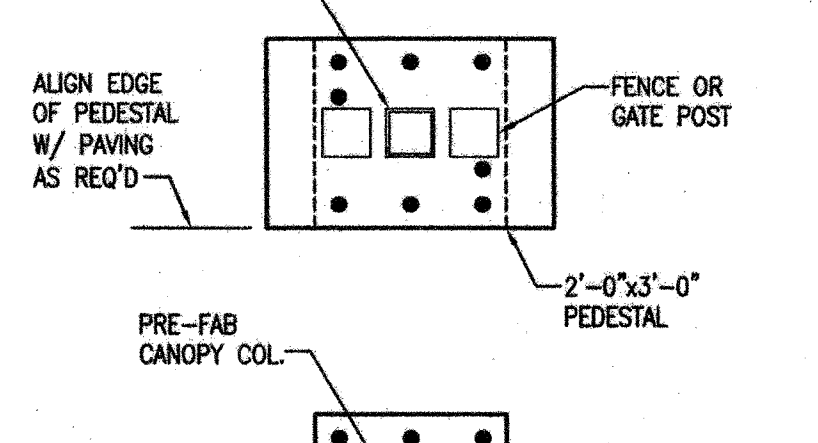
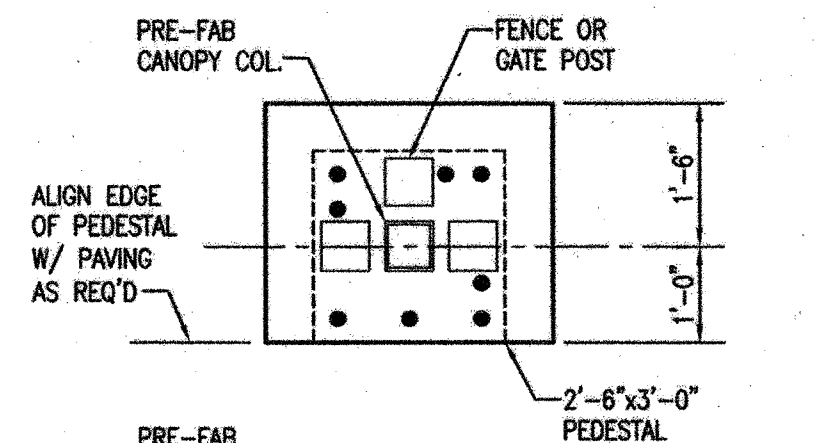
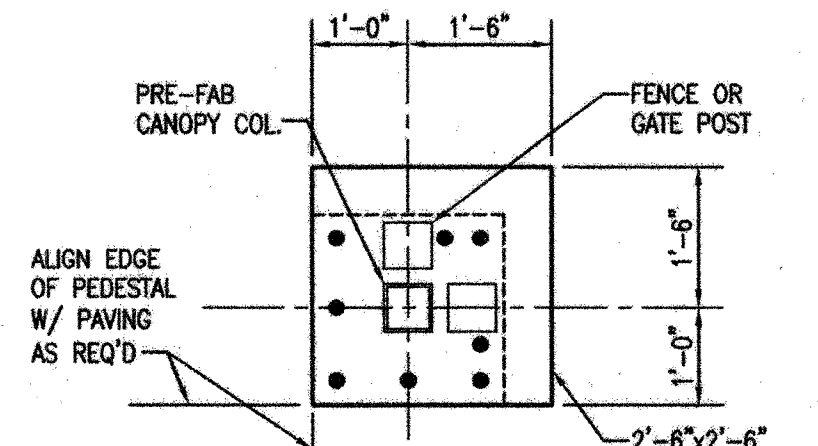
4 DETAIL
S4.04 1"=1'-0"



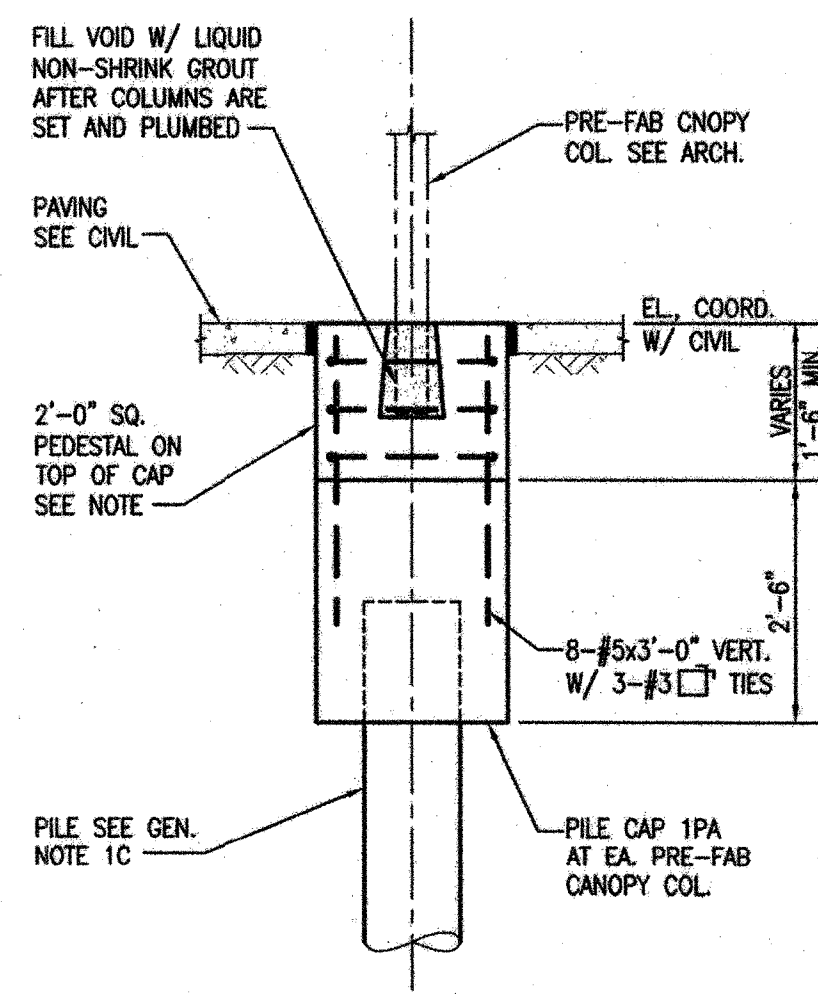
6 SECTION
S4.04 3/4"=1'-0"



3 SECTION
S4.04 1"=1'-0"



PLAN DETAILS



5 PRE-FAB CANOPY PILE CAP DETAIL
S4.04 1/2"=1'-0"



**NEW 3 SECTION ELEMENTARY SCHOOL
AT FISK-HOWARD SCHOOL
RECOVERY SCHOOL DISTRICT**

211 S. LOPEZ STREET
NEW ORLEANS, LOUISIANA 70119

DATE ISSUED:	7 DECEMBER, 2012
REVISED:	
REVISED:	
REVISED:	
REVISED:	
DRAWN BY:	WFD
CHECKED BY:	JAS
PHASE:	

BID DOCUMENTS

11085

CANOPY SECTIONS & DETAILS

SHEET:

S4.04

