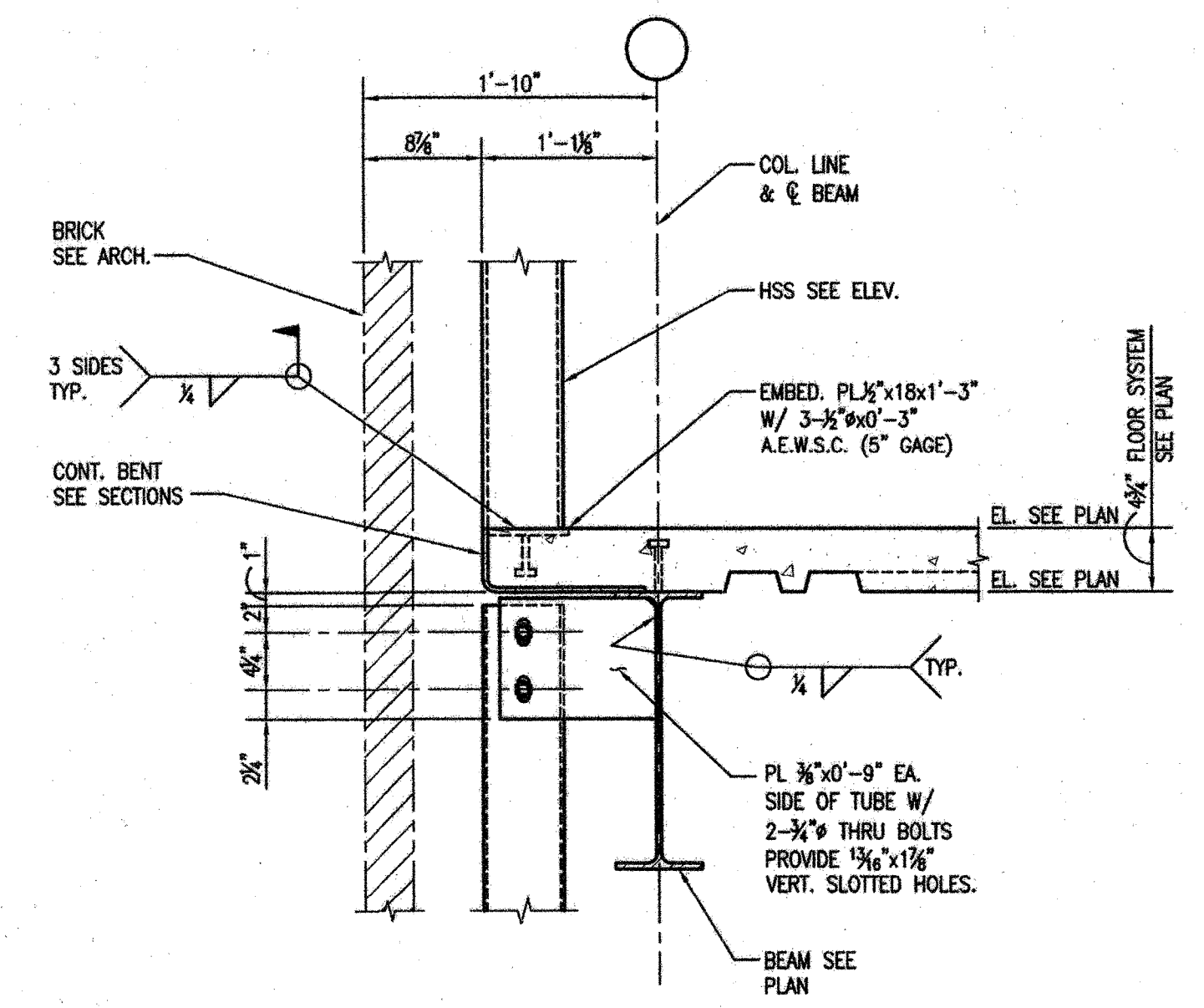


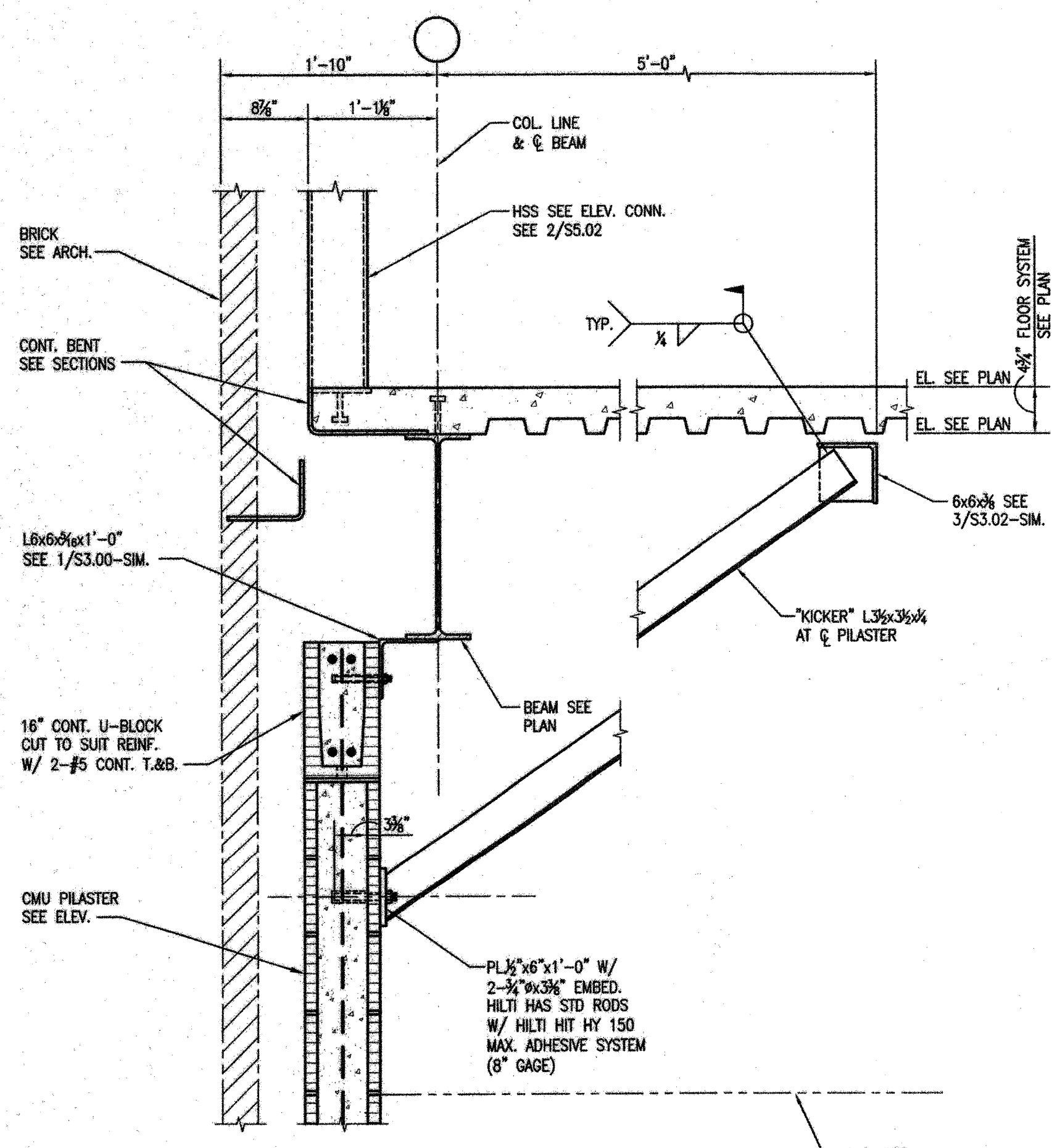
NOTES UNLESS NOTED OTHERWISE:
 1. Δ - INDICATES #508" O.C. VERT.
 2. SEE 4/S5.02 FOR MOUNTING DETAIL AT ALL OTHER SUNSHADES NOT SHOWN ON THIS ELEVATION.

1 PART ELEVATION-SOUTH
 S5.02 3/32"=1'-0"

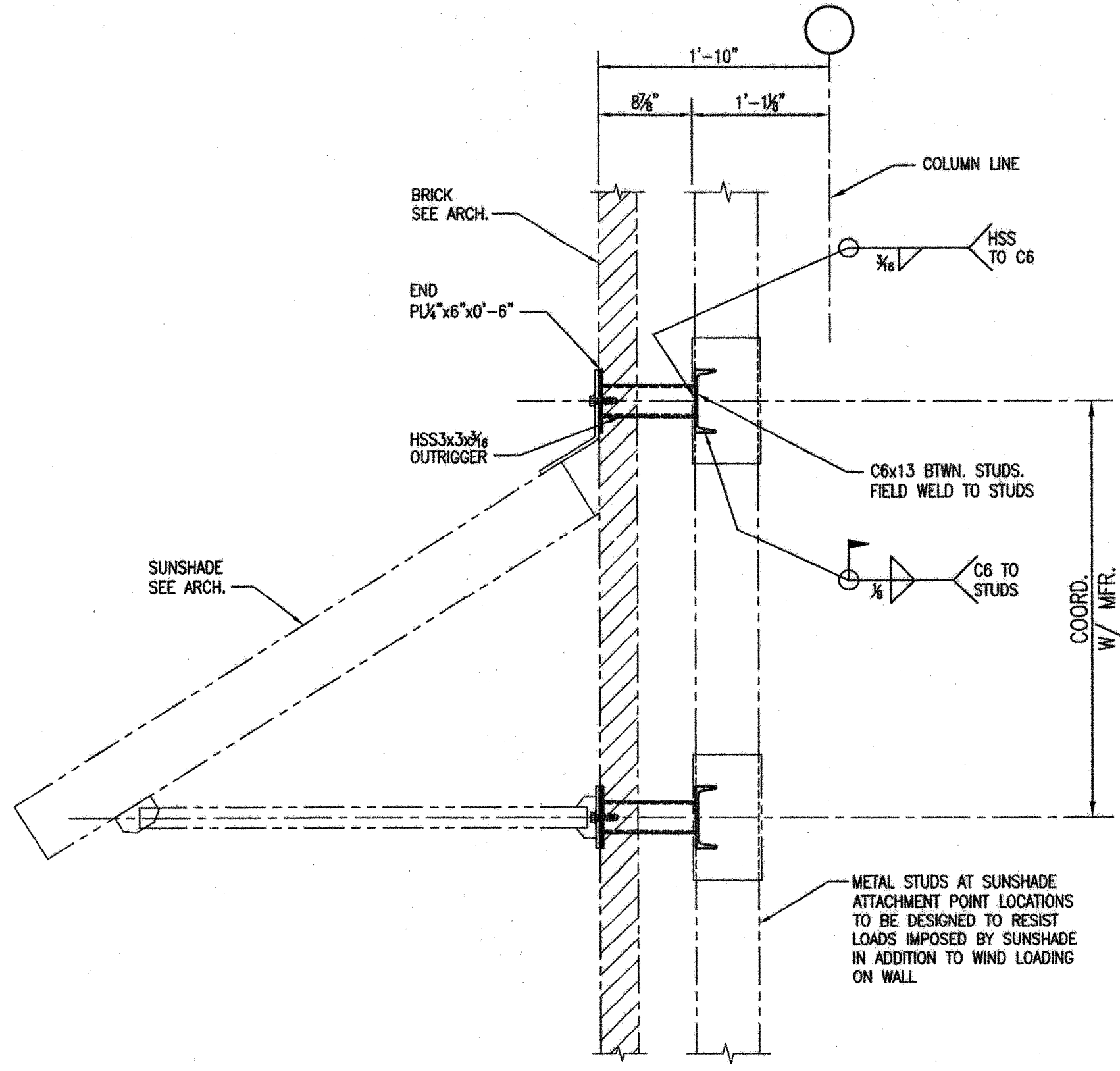


NOTE:
 WHERE HSS COLUMN OCCURS IN FRONT OF BUILDING COLUMN CONNECTION SIMILAR.

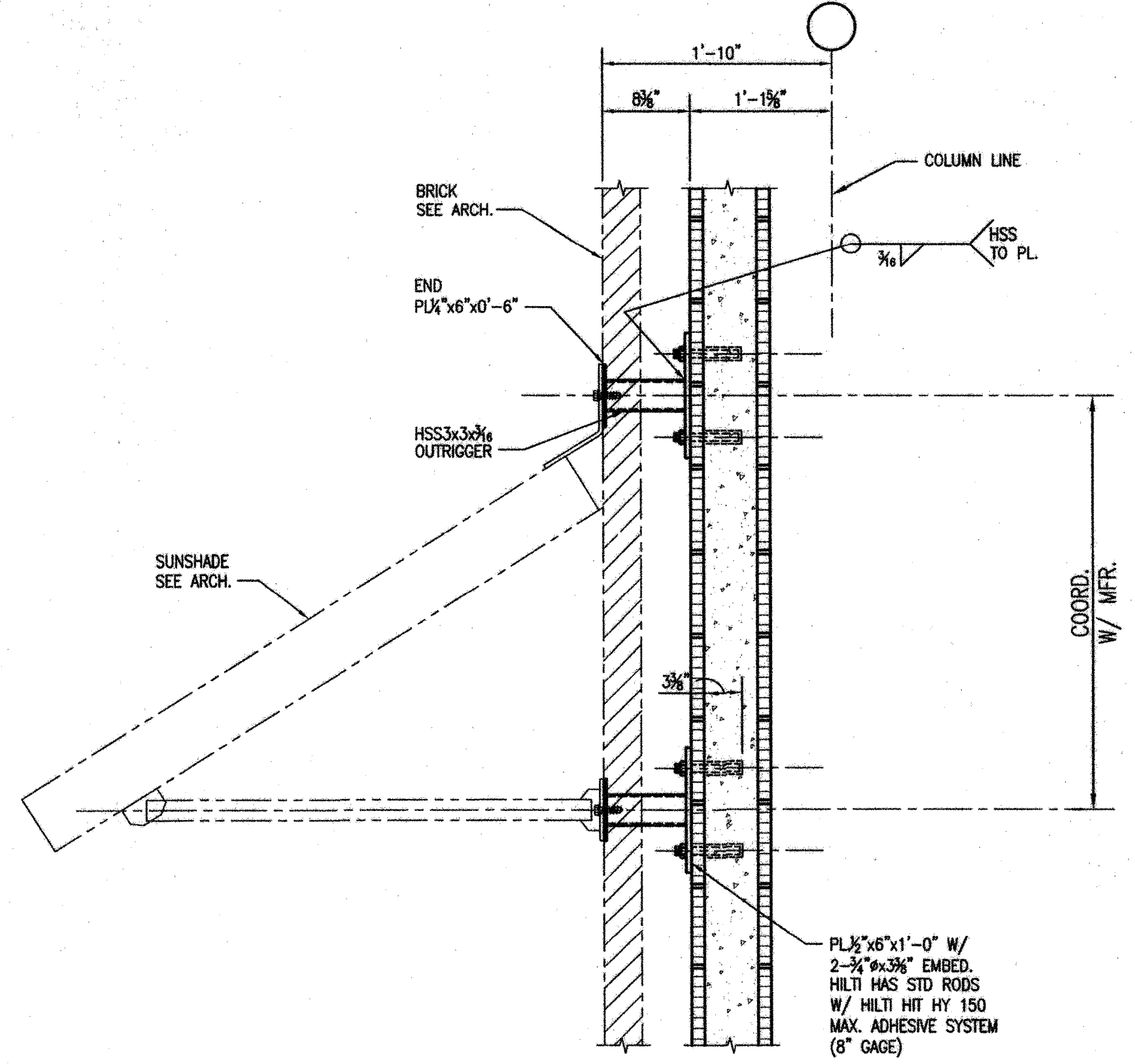
2 DETAIL
 S5.02 1"=1'-0"



3 DETAIL
 S5.02 1"=1'-0"



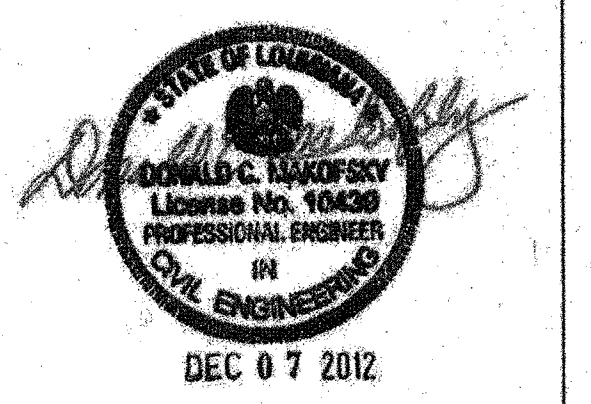
AT METAL STUD WALLS



AT CMU WALLS

NOTES:
 1. ALL CANOPY STRUCTURAL STEEL TO BE HOT-DIPPED GALVANIZED AFTER FABRICATION. TOUCH UP ANY DAMAGED COATING WITH STICK GALVANIZING.
 2. COORD. ALL ATTACHMENT REQ'MENTS W/ MFR.
 3. ANCHOR ATTACHMENT ALONG LINE A BETWEEN LINES 6 AND 7 SIMILAR.
 4. AT HSS6x6 VERTICALS WELD OUTRIGGER DIRECTLY TO TUBE.

4 DETAIL
 S5.02 1"=1'-0"



**NEW 3 SECTION ELEMENTARY SCHOOL
 AT FISK-HOWARD SCHOOL
 RECOVERY SCHOOL DISTRICT**
 211 S. LOPEZ STREET
 NEW ORLEANS, LOUISIANA 70119

DATE ISSUED:	7 DECEMBER, 2012
REVISED:	
REVISED:	
REVISED:	
REVISED:	
DRAWN BY:	WFD
CHECKED BY:	JAS
PHASE:	

BID DOCUMENTS

11085

TITLE:
EXTERIOR ELEVATIONS & DETAILS

SHEET:

S5.02

