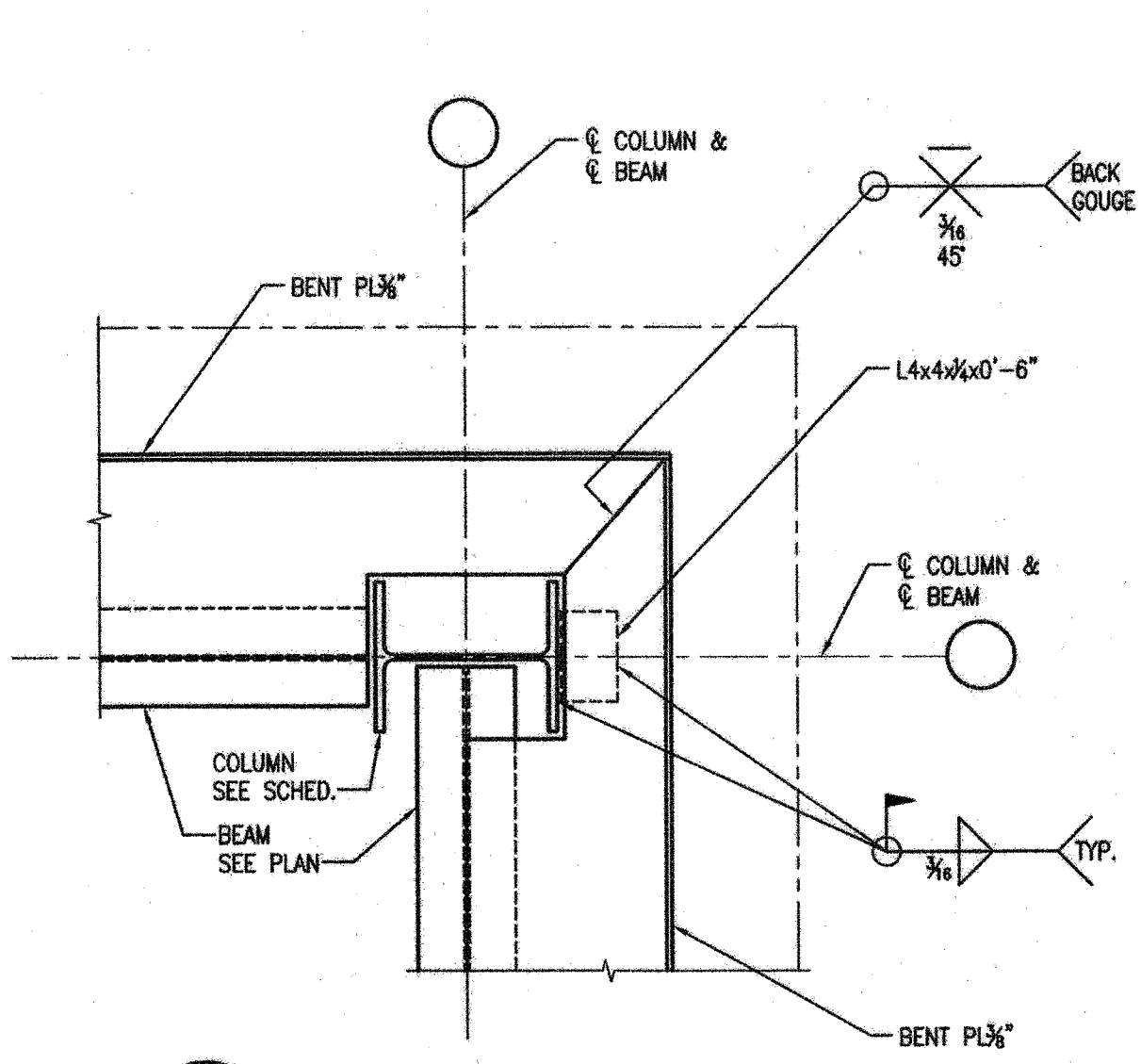
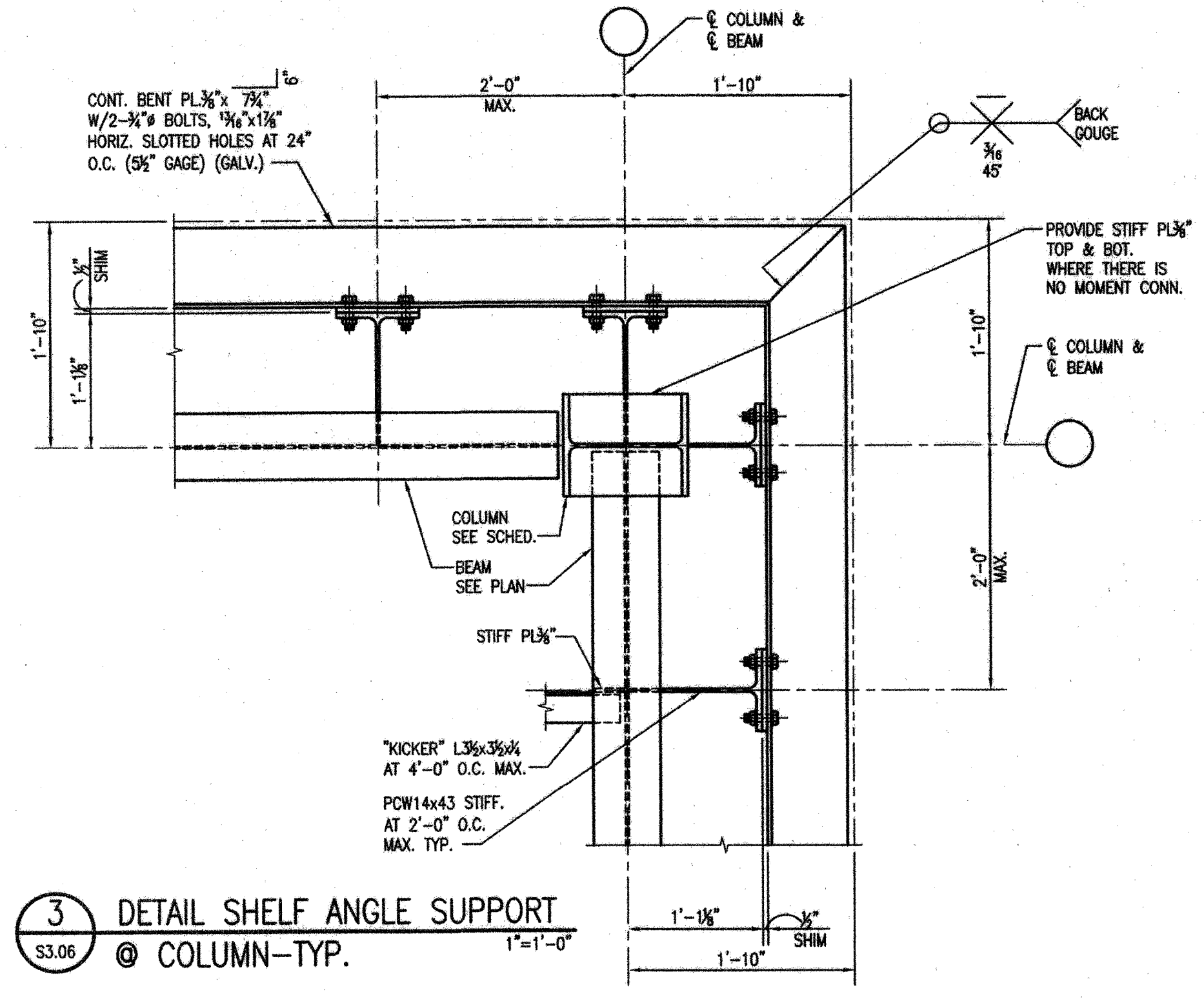


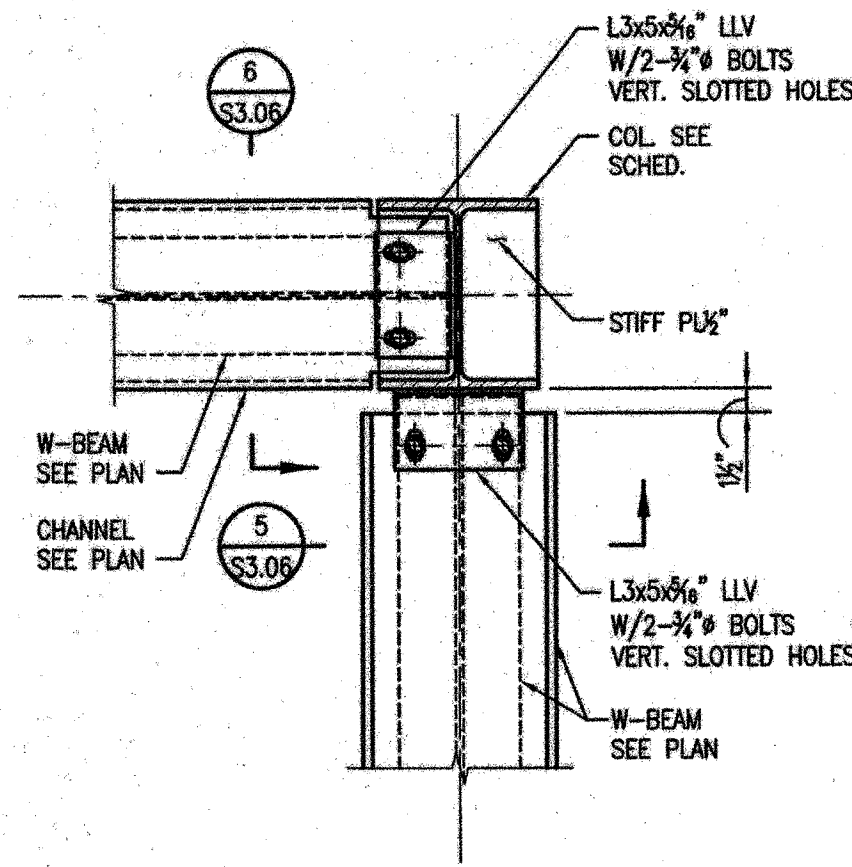
1 DETAIL SHELF ANGLE SUPPORT
 S3.06 @ COLUMN-TYP. 1"=1'-0"



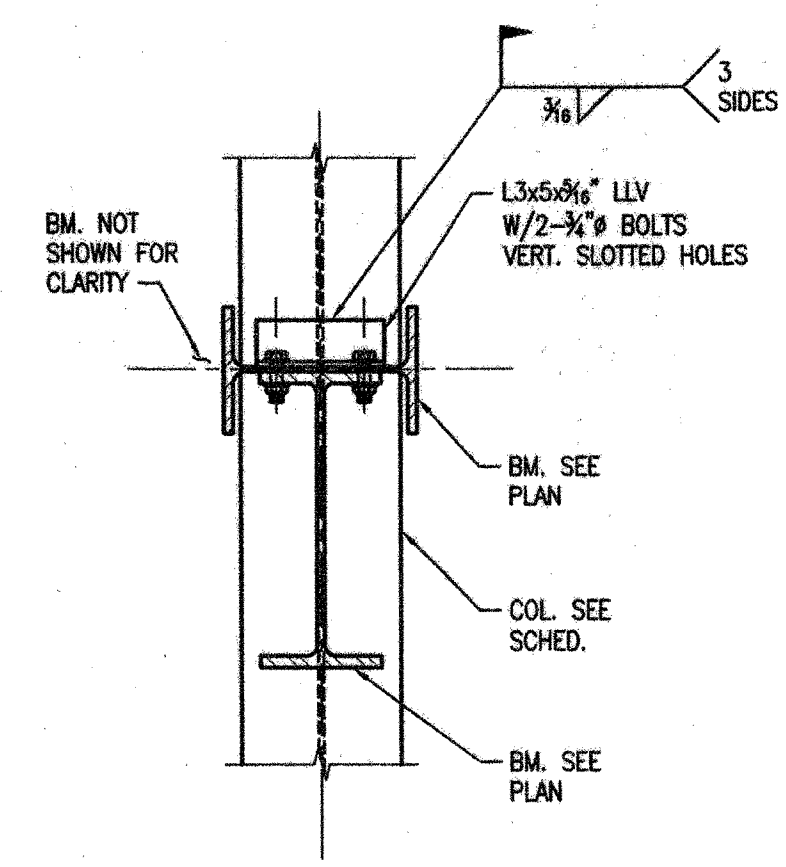
2 DETAIL SLAB EDGE SUPPORT
 S3.06 @ COLUMN-TYP. 1"=1'-0"



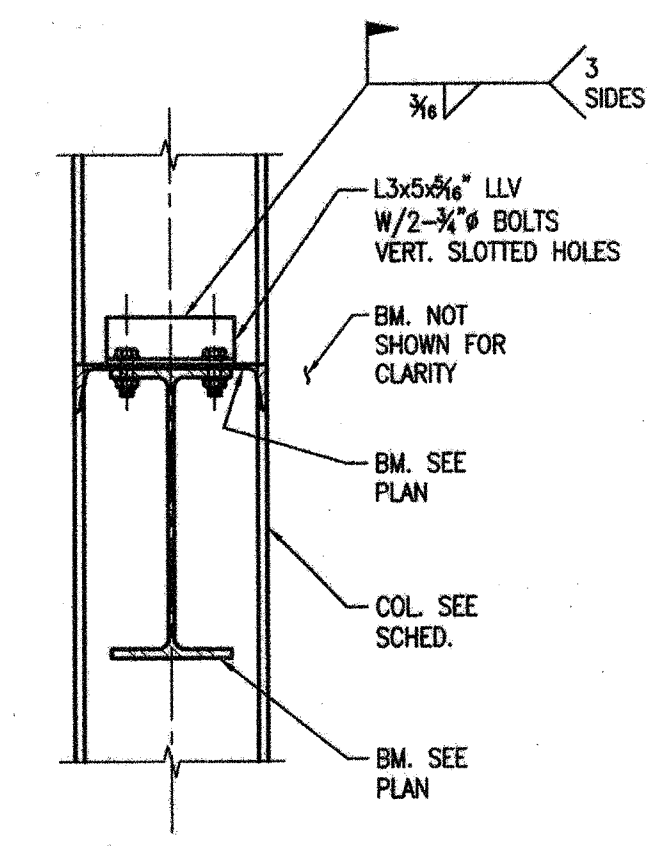
3 DETAIL SHELF ANGLE SUPPORT
 S3.06 @ COLUMN-TYP. 1"=1'-0"



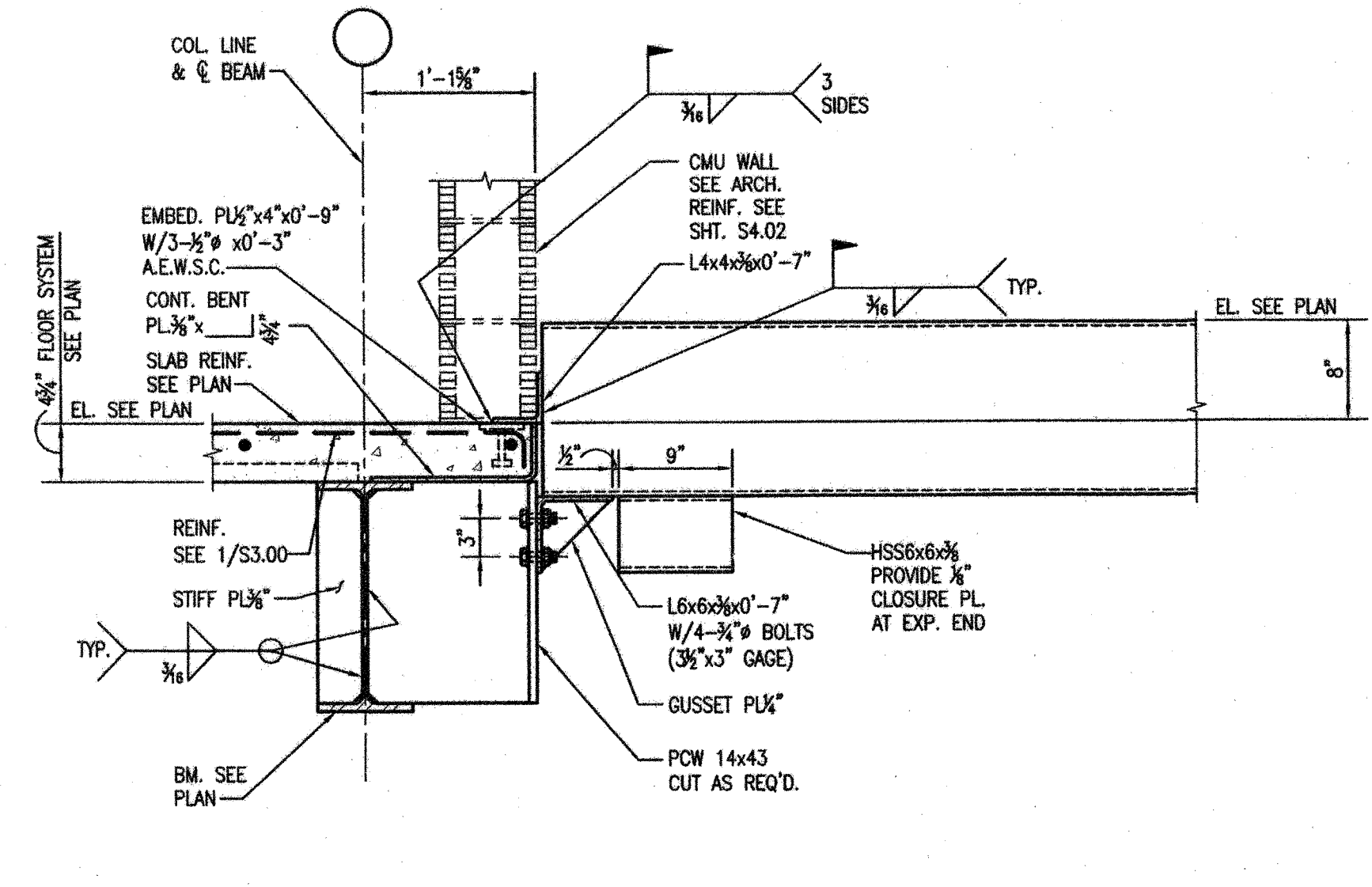
4 DETAIL
 S3.06 1"=1'-0"



5 SECTION
 S3.06 1"=1'-0"



6 SECTION
 S3.06 1"=1'-0"



7 SECTION-2ND FLOOR
 S3.06 1"=1'-0"

**NEW 3 SECTION ELEMENTARY SCHOOL
 AT FISK-HOWARD SCHOOL
 RECOVERY SCHOOL DISTRICT**

211 S. LOPEZ STREET NEW ORLEANS, LOUISIANA 70119

DATE ISSUED:	7 DECEMBER, 2012
REVISED:	
REVISED:	
REVISED:	
REVISED:	
DRAWN BY:	WFD
CHECKED BY:	JAS
PHASE:	

BID DOCUMENTS

11085

TITLE: SECTIONS AND DETAILS

SHEET: S3.06