

**NEW 3 SECTION ELEMENTARY SCHOOL
AT FISK-HOWARD SCHOOL
RECOVERY SCHOOL DISTRICT**

211 S. LOPEZ STREET
NEW ORLEANS, LOUISIANA 70119

DATE ISSUED: 7 DECEMBER, 2012
REVISED:
REVISED:
REVISED:
REVISED:
DRAWN BY: WFD
CHECKED BY: JAS
PHASE:

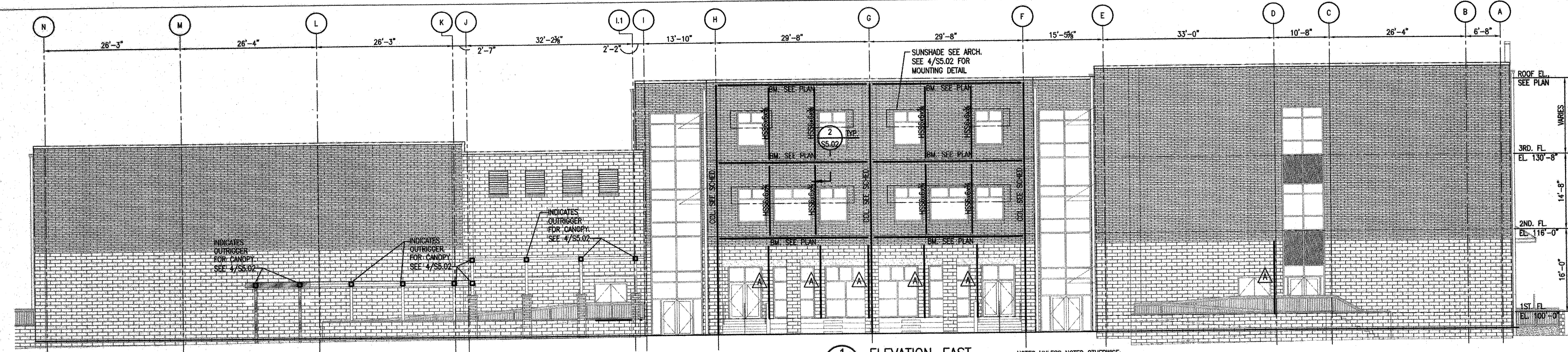
BID DOCUMENTS

11085

TITLE:
**EXTERIOR
ELEVATIONS & DETAILS**

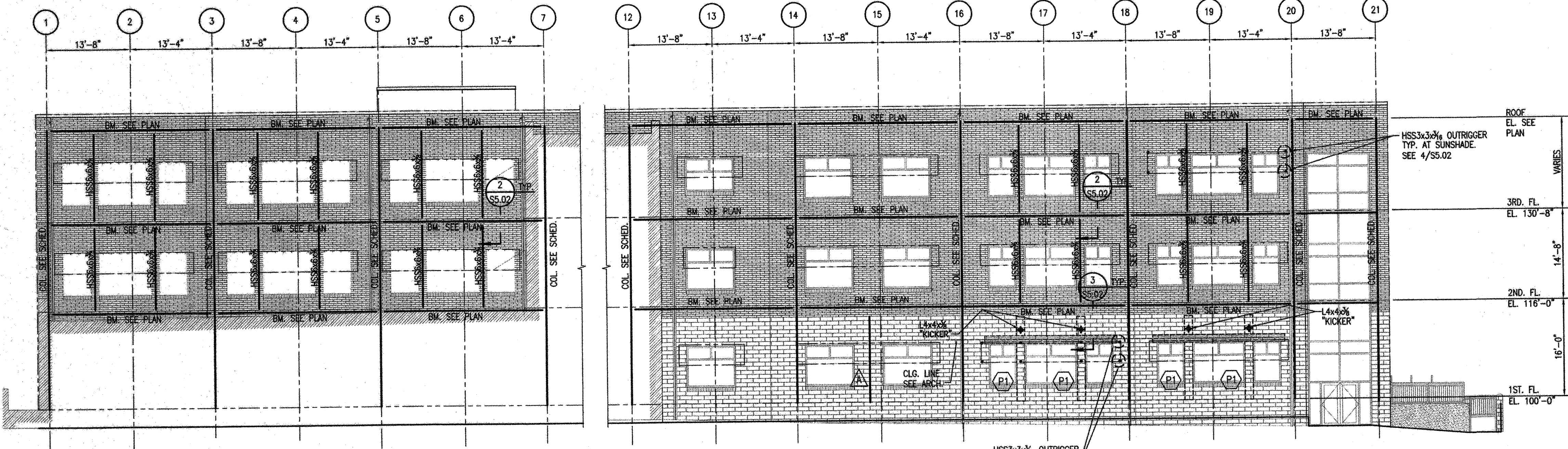
SHEET:

S5.00



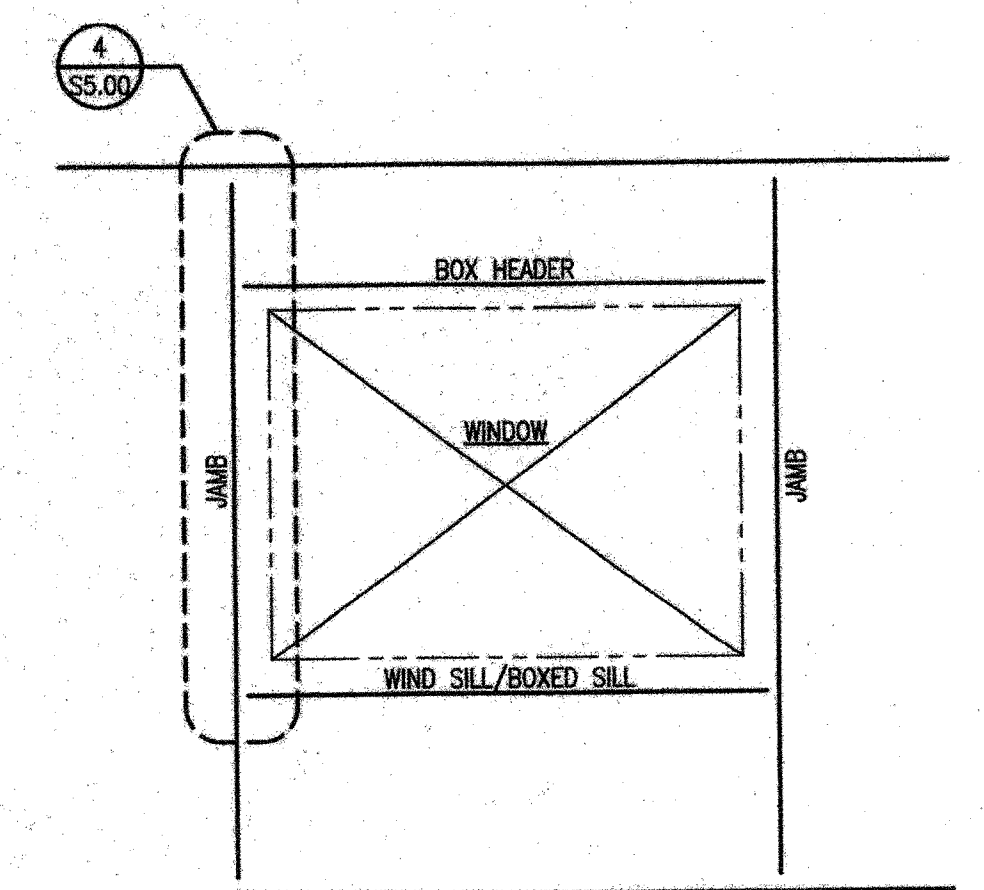
1 ELEVATION-EAST
S5.00
3/32"=1'-0"

NOTES UNLESS NOTED OTHERWISE:
1. Δ - INDICATES #500 O.C. VERT.

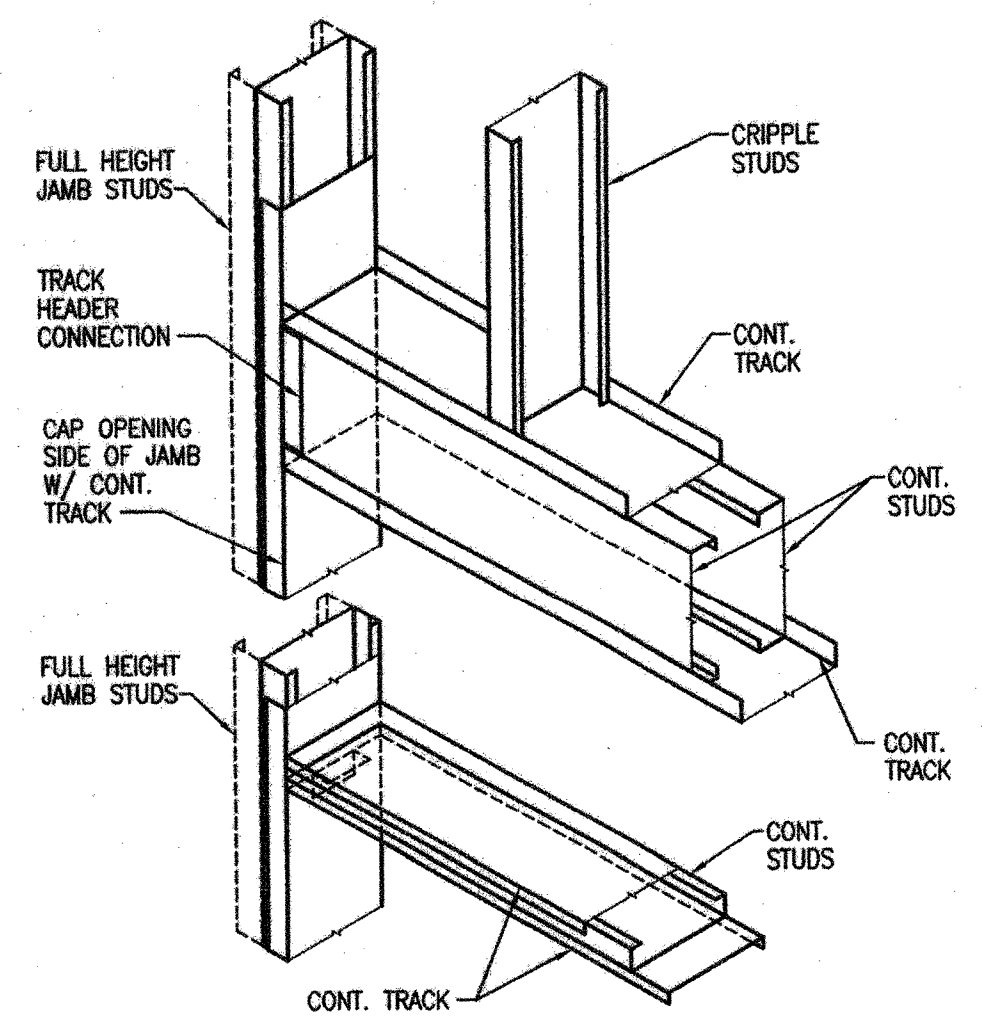


2 PART ELEVATION-SOUTH
S5.00
3/32"=1'-0"

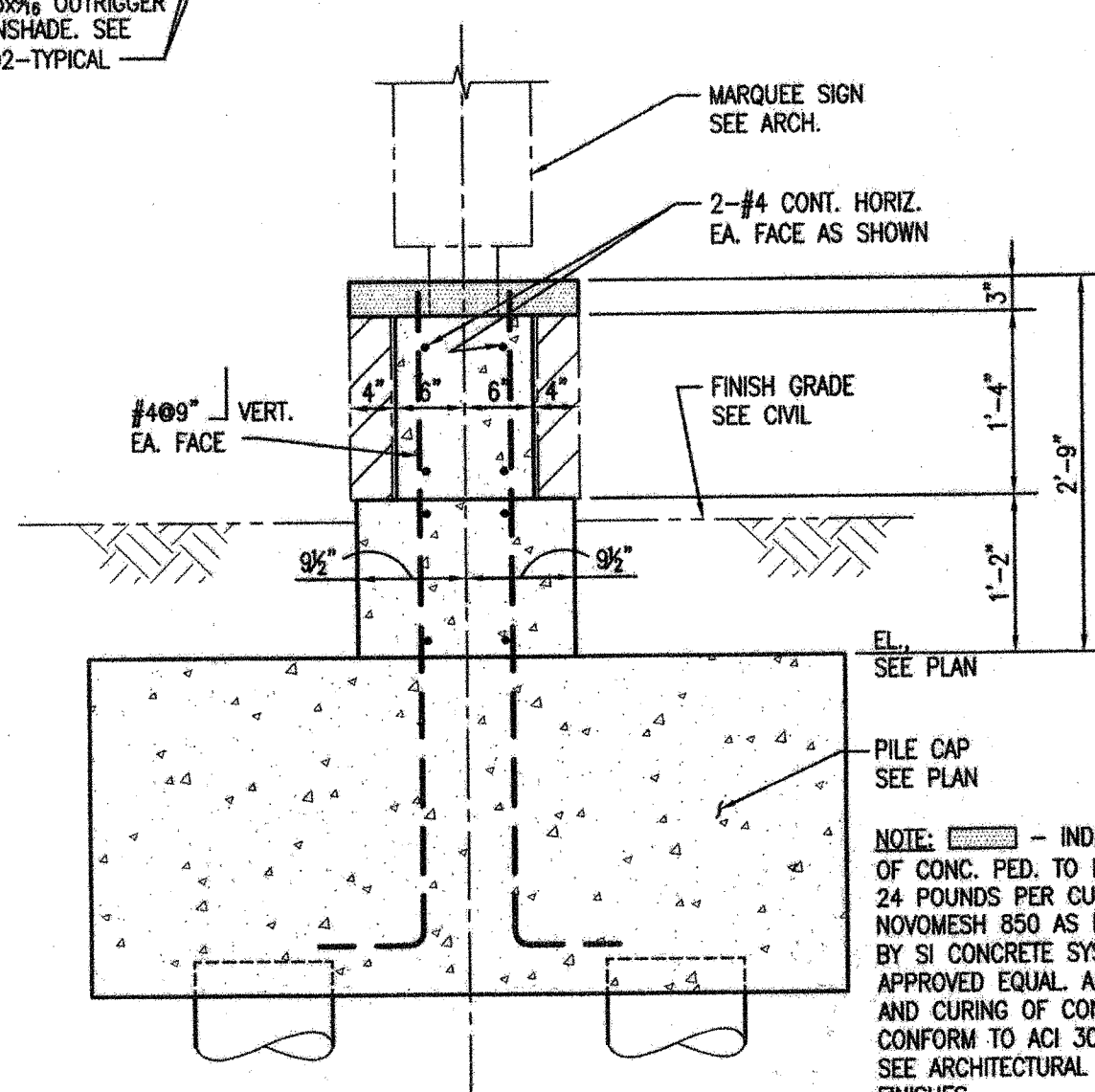
NOTES UNLESS NOTED OTHERWISE:
1. (P1) - INDICATES 8"x16" CMU PILASTER W/
2-#5 VERT. EA. CELL & #2 @ 16"
2. Δ - INDICATES #500 O.C. VERT.
3. \square - INDICATES 16" CMU "U" BLOCK LINTEL
CONTINUOUS OVER MULTIPLE SPANS.



3 DETAIL-TYPICAL LT. GA. STUD WALL WINDOW AND DOOR FRAME
S5.00 N.T.S.

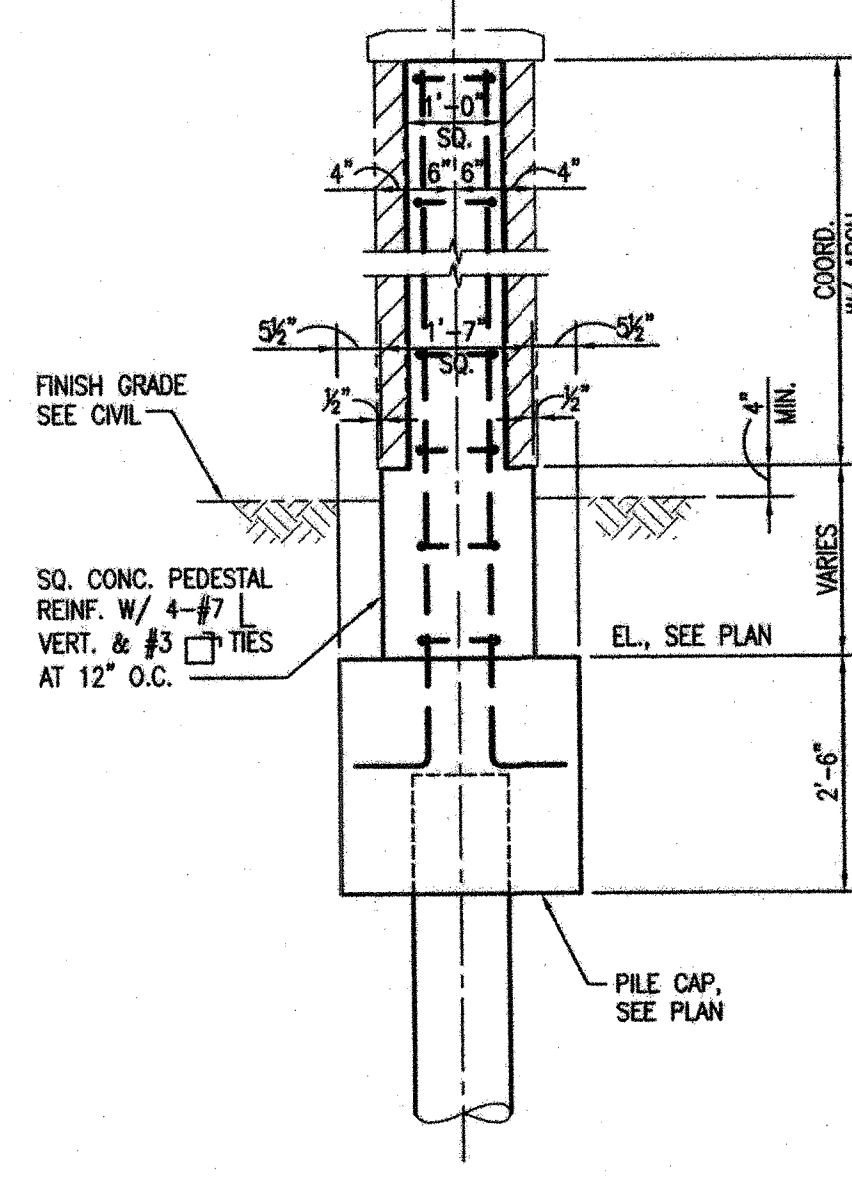


4 DETAIL-TYPICAL LT. GA. STUD WALL WINDOW AND DOOR FRAME
S5.00 N.T.S.



5 DETAIL-SIGN FOUNDATION
S5.00 3/4"=1'-0"

NOTE: \square - INDICATES PORTION OF CONC. PED. TO BE REINF. W/ 24 POUNDS PER CUBIC YARD OF NOVOMESH 550 AS MANUFACTURED BY SI CONCRETE SYSTEMS OR AN APPROVED EQUAL. ALL MIXING, PLACING, AND CURING OF CONCRETE SHALL CONFORM TO ACI 301-05 SPECIFICATION. SEE ARCHITECTURAL DRAWINGS FOR FINISHES.



6 FENCE DETAIL
S5.00 1/2"=1'-0"