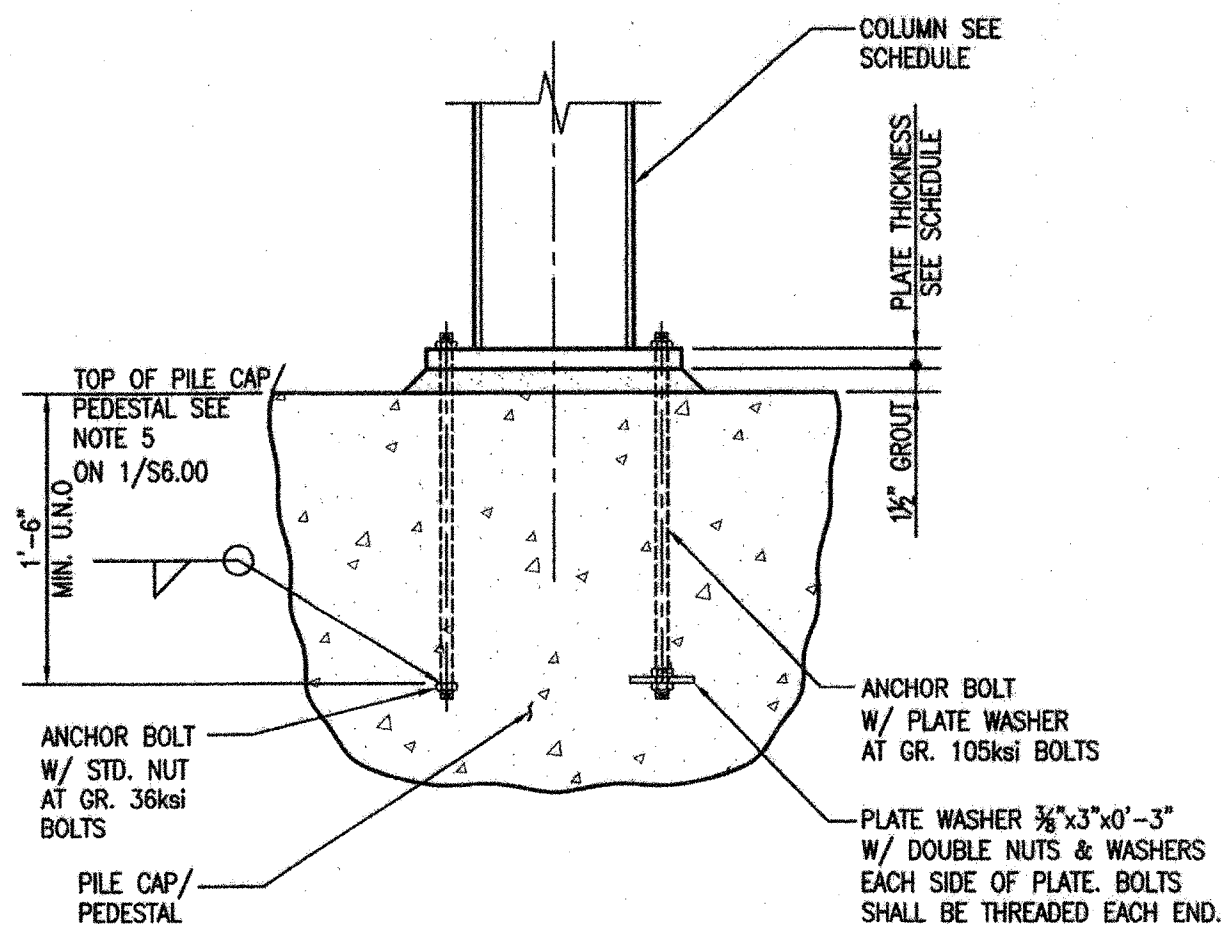


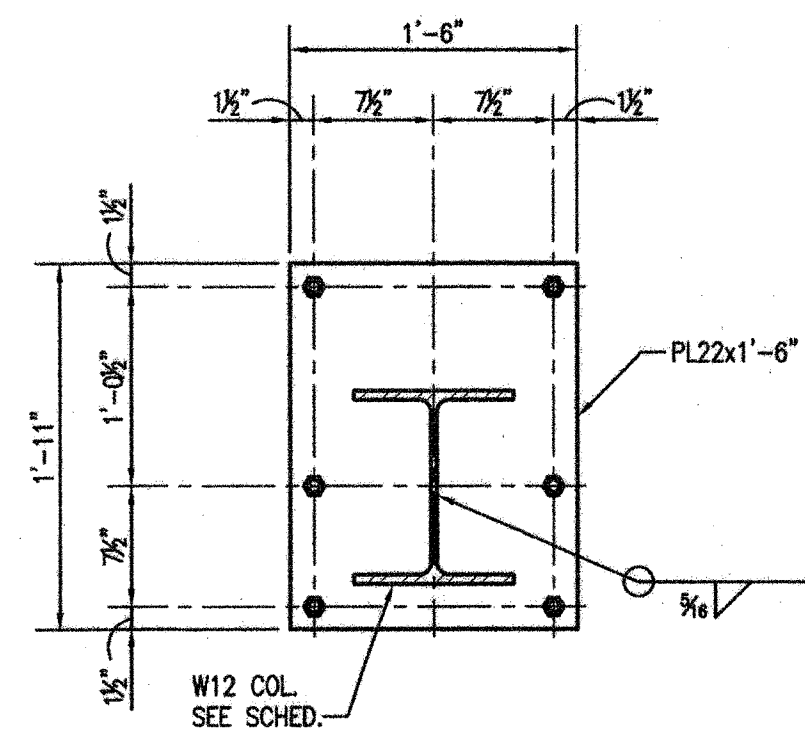
NOTES:  
1. SEE 1/S6.00

**1 COLUMN SCHEDULE**  
(UNIT A, B, & C CONT'D)

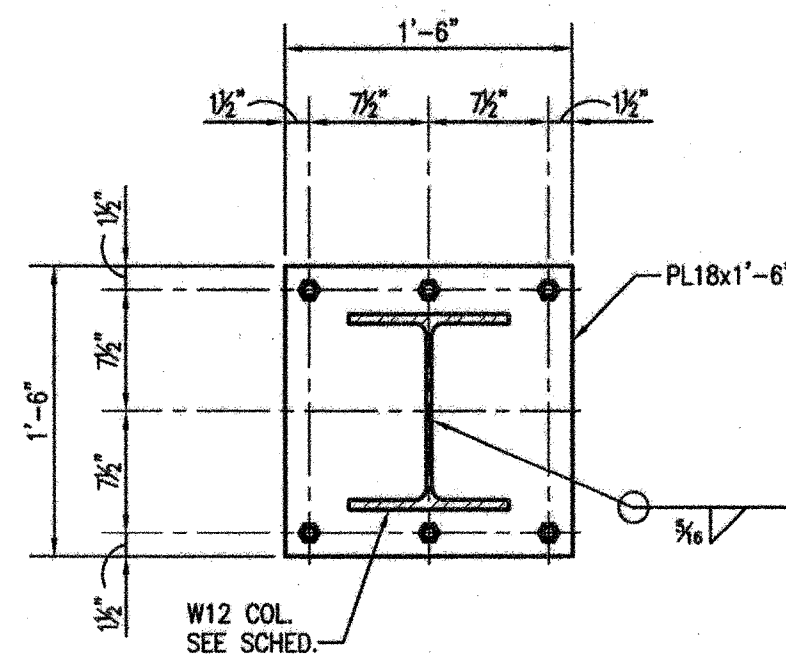
COLUMN DESIGNATION	12.2-F 12.2-H	12.2-G	13.8-J	12.2-J	3.2-I
HIGH ROOF EL. 147'-0"±					
LOW ROOF EL. 144'-5"±					
3RD FLOOR EL. 130'-8"	W12x53 EL. 143'-8"	W12x53 EL. 144'-0"	W12x53	W12x53	
2ND FLOOR EL. 116'-0"					W12x53 EL. 114'-5"
1ST FLOOR EL. 100'-0" EL. 99'-5" SEE NOTE 5 ON 1/S6.00					
TOP OF PILE CAP EL. SEE PLAN	PL 2" GR. 50ksi SEE 4/S6.01	PL 2" GR. 50ksi SEE 4/S6.01	PL 1½" GR. 36ksi SEE 4/S6.01	PL 1½" GR. 36ksi SEE 4/S6.01	PL 1½" GR. 36ksi SEE 4/S6.01
BASE PLATE	6-¾" ANCHOR BOLTS GR. 105ksi	6-¾" ANCHOR BOLTS GR. 105ksi	6-¾" ANCHOR BOLTS GR. 105ksi	6-¾" ANCHOR BOLTS GR. 105ksi	6-¾" ANCHOR BOLTS GR. 105ksi
ANCHOR BOLTS					



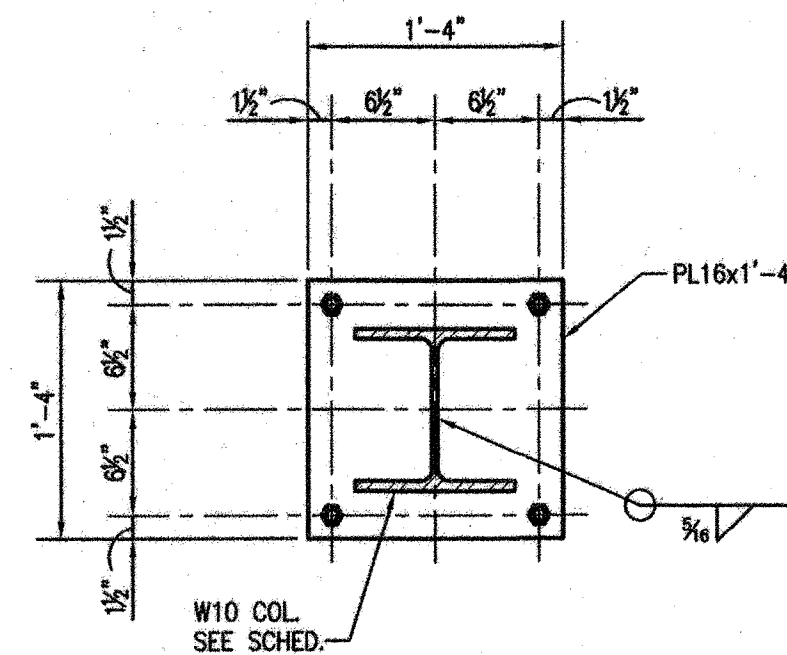
**3 DETAIL - ANCHOR BOLTS**  
S6.01 1"=1'-0"



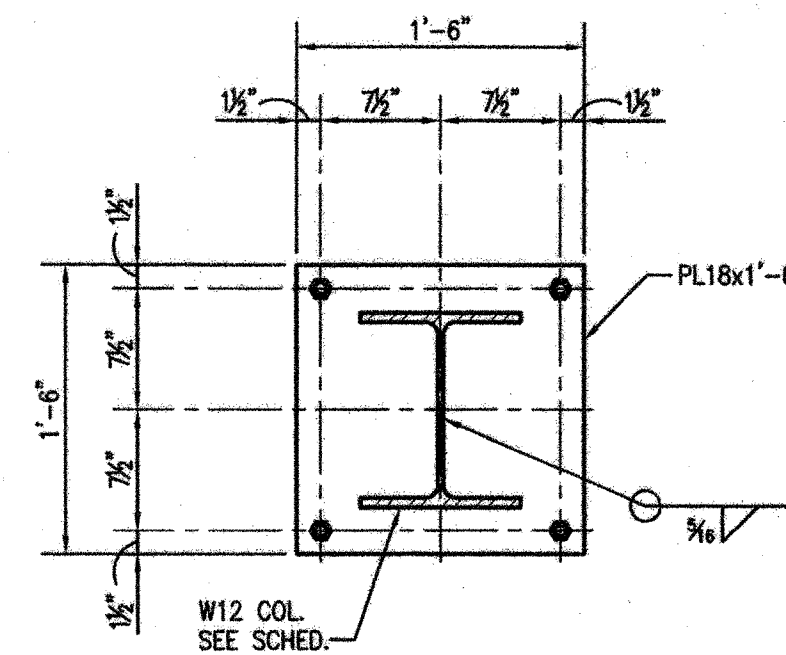
**7 DETAIL**  
S6.01 1"=1'-0"



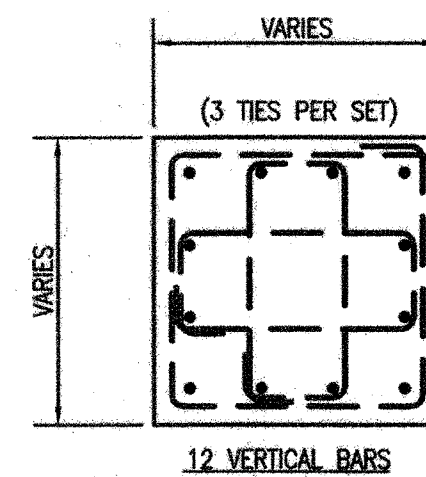
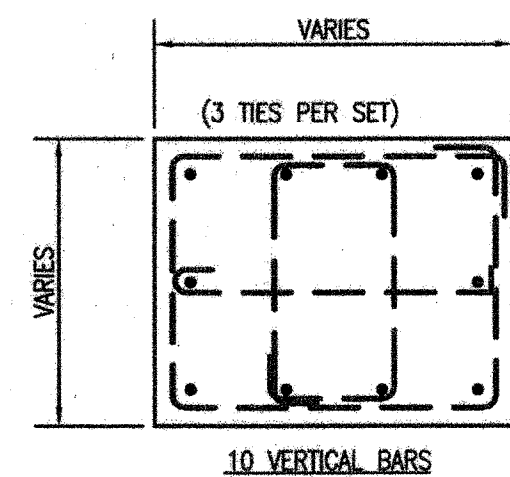
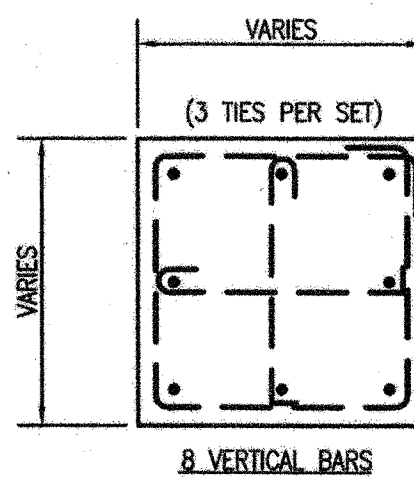
**4 DETAIL**  
S6.01 1"=1'-0"



**5 DETAIL**  
S6.01 1"=1'-0"

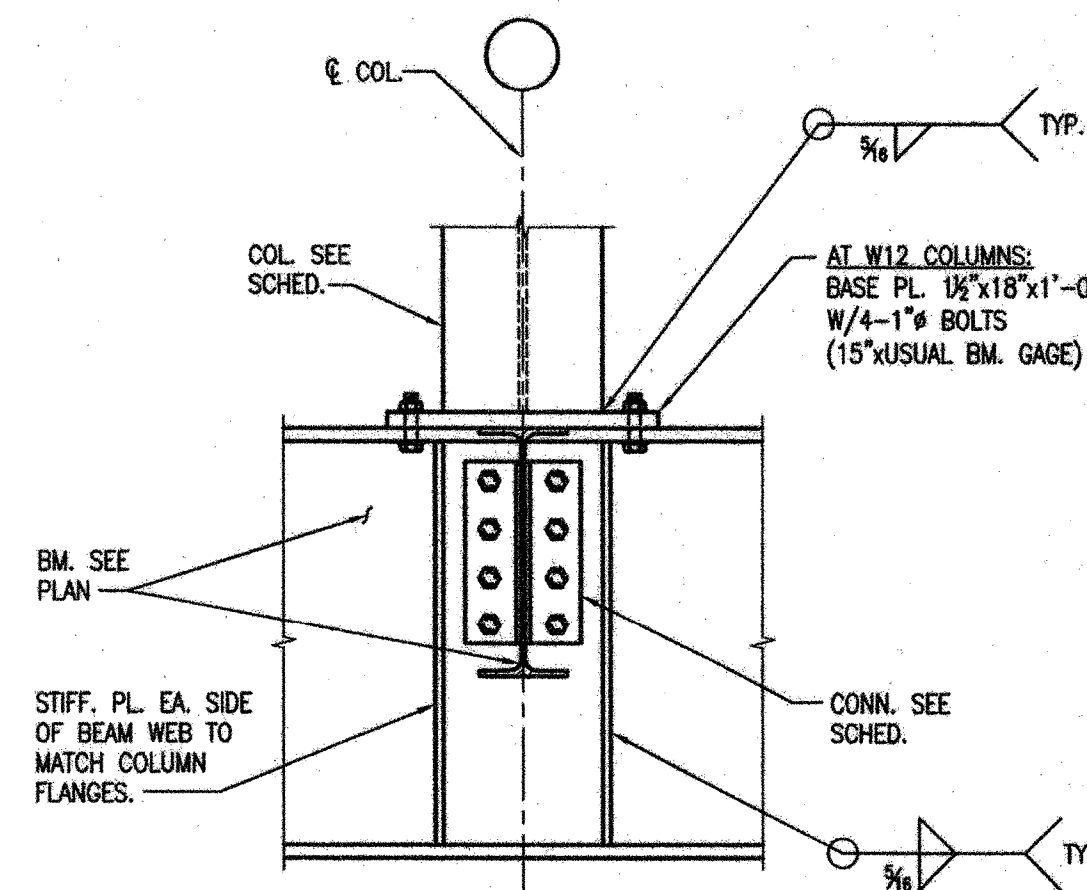


**6 DETAIL**  
S6.01 1"=1'-0"



COLUMN NOTES: UNLESS NOTED OTHERWISE:  
1. COLUMN TIES SHALL BE PROVIDED IN ACCORDANCE WITH ACI 318-08.  
2. TERMINATE VERTICAL REINFORCING AT TOP OF PEDESTAL WITH 90° HOOK TYPICAL.

**8 PEDESTAL REINF. AND TIE ARRANGMENT DETAILS**  
S6.01 N.T.S.

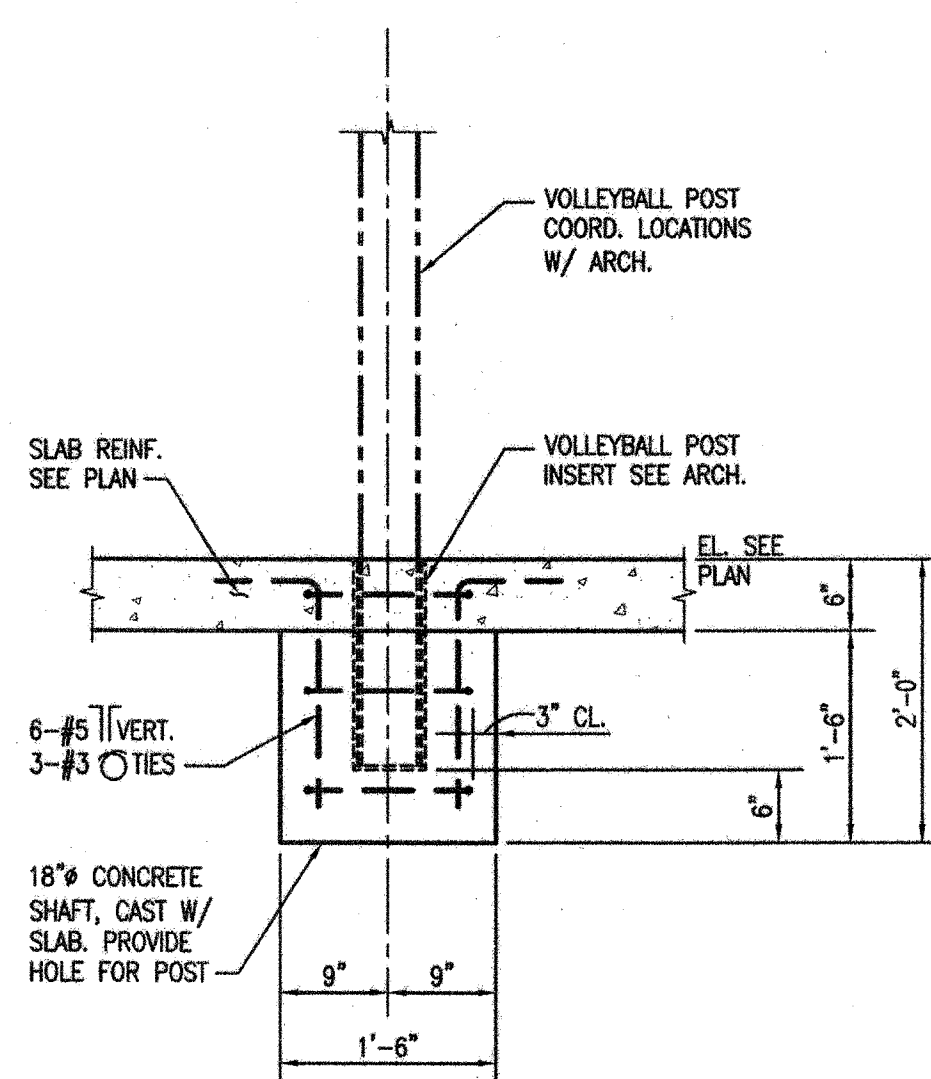


**9 DETAIL**  
S6.01 1"=1'-0"

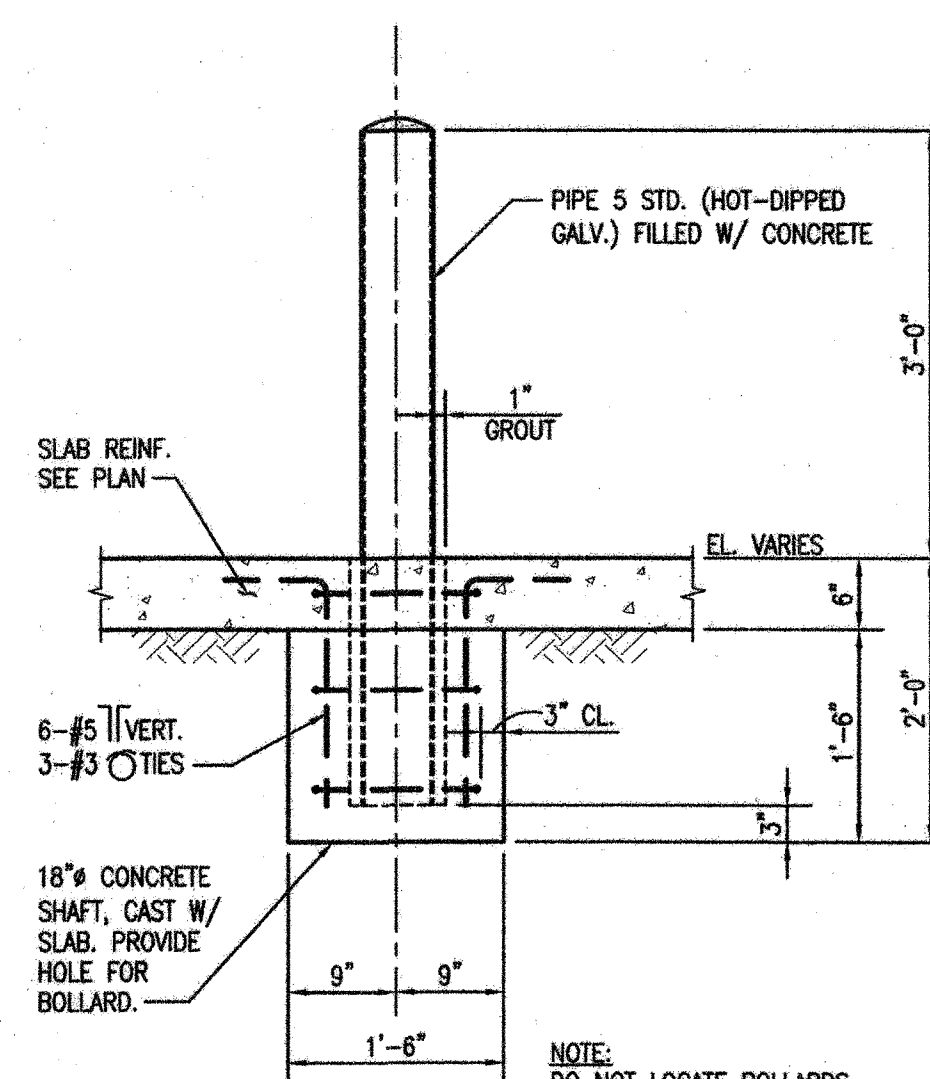
NOTES:  
1. SEE 1/S6.00

**2 COLUMN SCHEDULE**  
(UNIT D)

	3.6-N	5.8-K 7.6-K 9.8-K	5.8-N 7.6-N 9.8-N	12.1-L 12.1-M	3.6-L 3.6-M 13.7-L 13.7-M	12.1-K	12.1-N	3.6-K 13.7-K	13.7-N
GYMNASIUM ROOF (RIDGE) EL. 133'-1½"		CAP PL 1" x 14" x 2'-0"	CAP PL 1" x 14" x 1'-6"						
3RD FLOOR EL. 130'-8"	W12x53 EL. 132'-4"	W12x53 EL. 131'-6"	W12x106 EL. 131'-6"	W12x53 EL. 132'-8"	W12x106 EL. 132'-8"	W12x53 EL. 132'-4"	W12x106 EL. 132'-4"	W12x53 EL. 132'-4"	W12x53 EL. 132'-4"
2ND FLOOR EL. 116'-0"									
1ST FLOOR EL. 100'-0" EL. 99'-5" SEE NOTE 5 ON 1/S6.00									
TOP OF PILE CAP EL. SEE PLAN	PL 1½" GR. 36ksi SEE 6/S6.01	PL 1½" GR. 36ksi SEE 6/S6.01	PL 1½" GR. 36ksi SEE 6/S6.01	PL 1½" GR. 36ksi SEE 6/S6.01	PL 1½" GR. 36ksi SEE 6/S6.01	PL 1½" GR. 36ksi SEE 4/S6.01	PL 1½" GR. 36ksi SEE 4/S6.01	PL 1½" GR. 36ksi SEE 4/S6.01	PL 1½" GR. 36ksi SEE 7/S6.01
BASE PLATE	4-¾" ANCHOR BOLTS GR. 105ksi	6-¾" ANCHOR BOLTS GR. 105ksi	4-¾" ANCHOR BOLTS GR. 105ksi	4-¾" ANCHOR BOLTS GR. 105ksi	4-¾" ANCHOR BOLTS GR. 105ksi	6-¾" ANCHOR BOLTS GR. 105ksi	6-¾" ANCHOR BOLTS GR. 105ksi	6-¾" ANCHOR BOLTS GR. 105ksi	6-¾" ANCHOR BOLTS GR. 105ksi
ANCHOR BOLTS									



**10 DETAIL-VOLLEYBALL POST**  
S6.01 3/4"=1'-0"



**11 DETAIL-BOLLARD**  
S6.01 3/4"=1'-0"

**NEW 3 SECTION ELEMENTARY SCHOOL  
AT FISK-HOWARD SCHOOL  
RECOVERY SCHOOL DISTRICT**

211 S. LOPEZ STREET NEW ORLEANS, LOUISIANA 70119

DATE ISSUED: 7 DECEMBER, 2012  
REVISED:  
REVISED:  
REVISED:  
REVISED:  
DRAWN BY: WFD  
CHECKED BY: JAS  
PHASE:

BID DOCUMENTS

11085

TITLE:  
**COLUMN SCHEDULES  
& COLUMN DETAILS**

SHEET:

**S6.01**