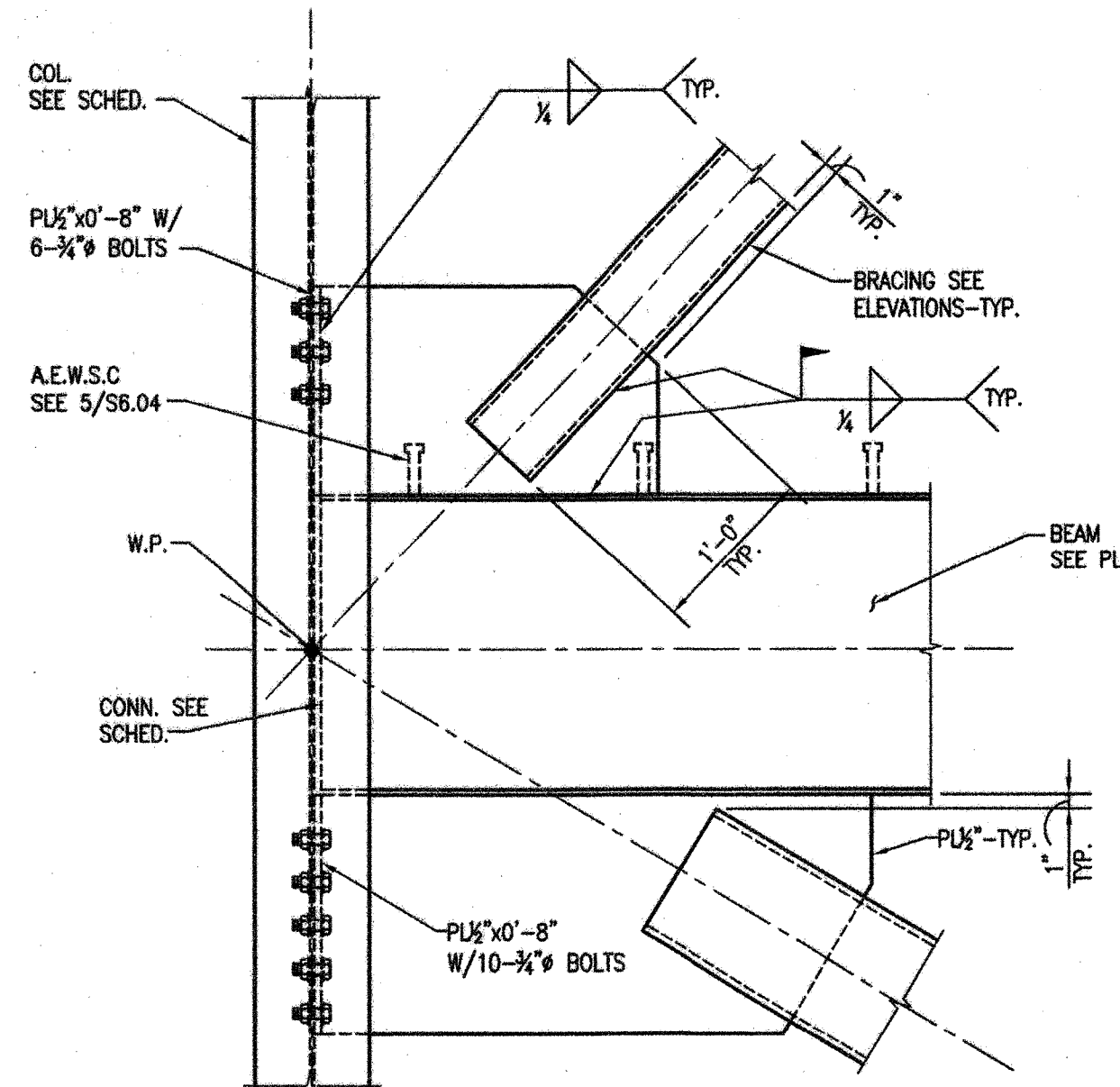


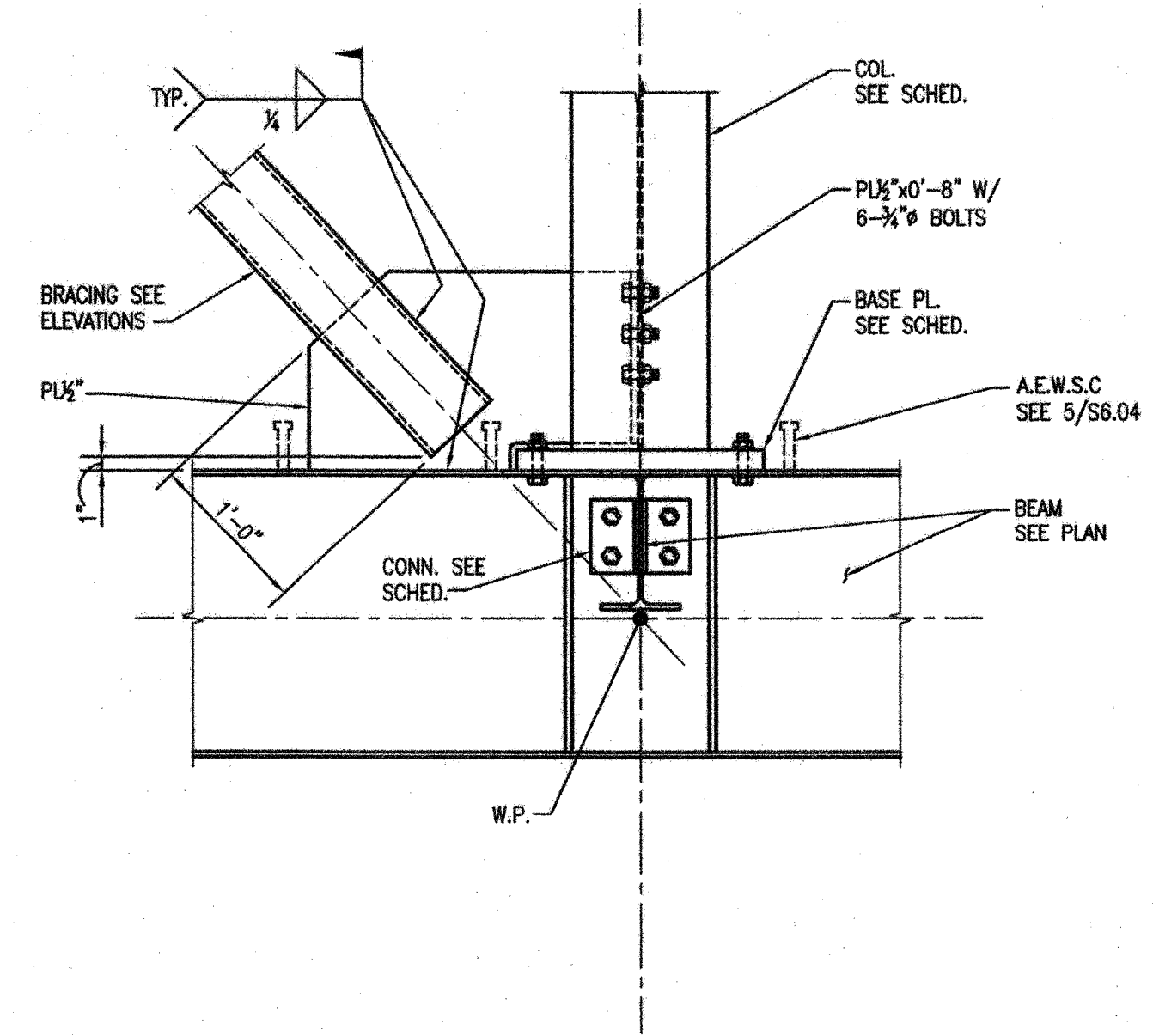
NOTES:
 1. SLOT HSS ALONG C TO RECEIVE PLATE.
 2. COORD. GUSSET PL. WITH MOM. CONN.
 STIFF. PL'S WHERE REQ'D. COPE AS SHOWN.

1 DETAIL
 S6.04 1"=1'-0"



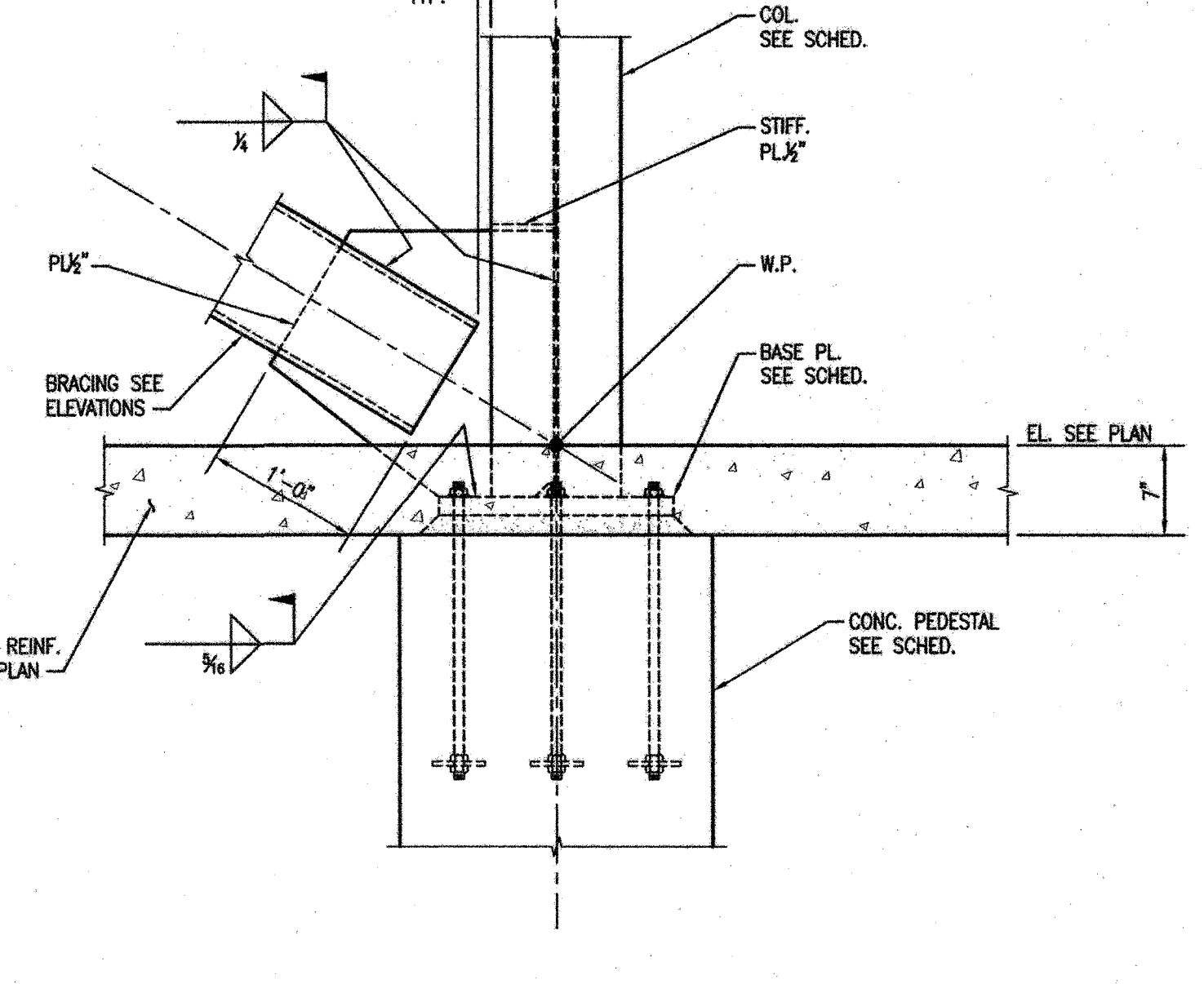
NOTE:
 SLOT HSS ALONG C TO RECEIVE PLATE

2 DETAIL
 S6.04 1"=1'-0"



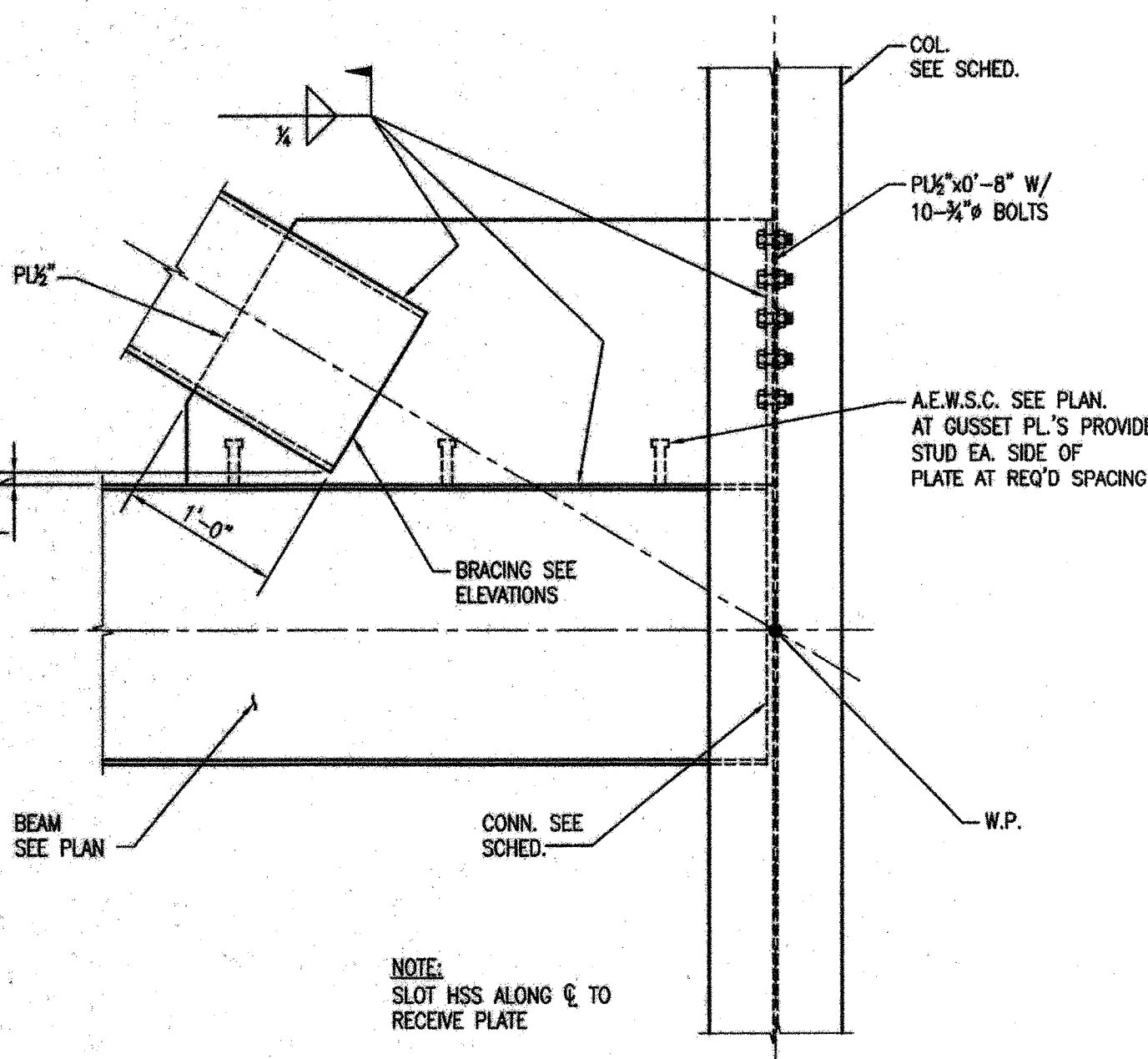
NOTE:
 SLOT HSS ALONG C TO RECEIVE PLATE

3 DETAIL
 S6.04 1"=1'-0"



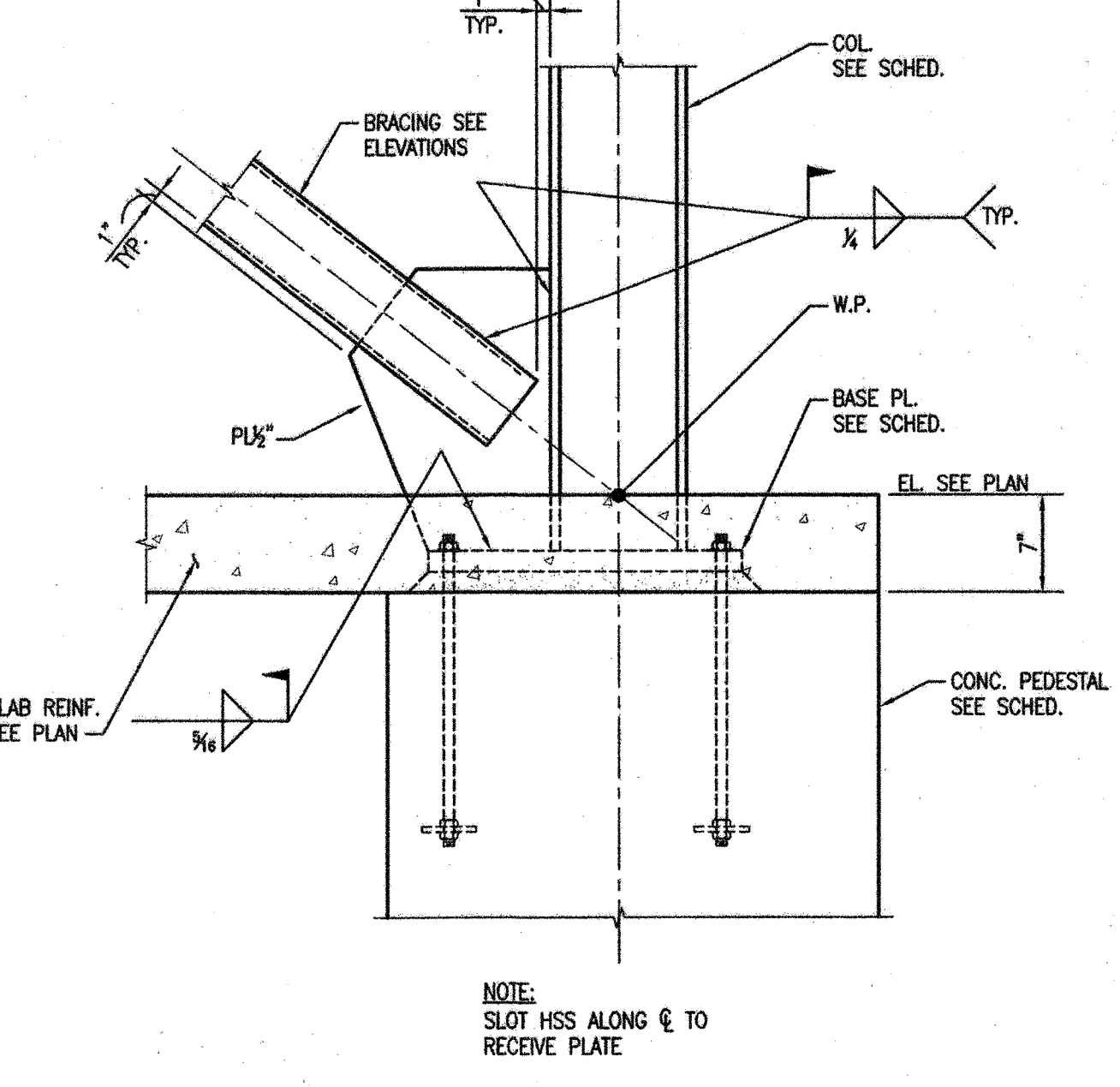
NOTE:
 SLOT HSS ALONG C TO RECEIVE PLATE

4 DETAIL
 S6.04 1"=1'-0"



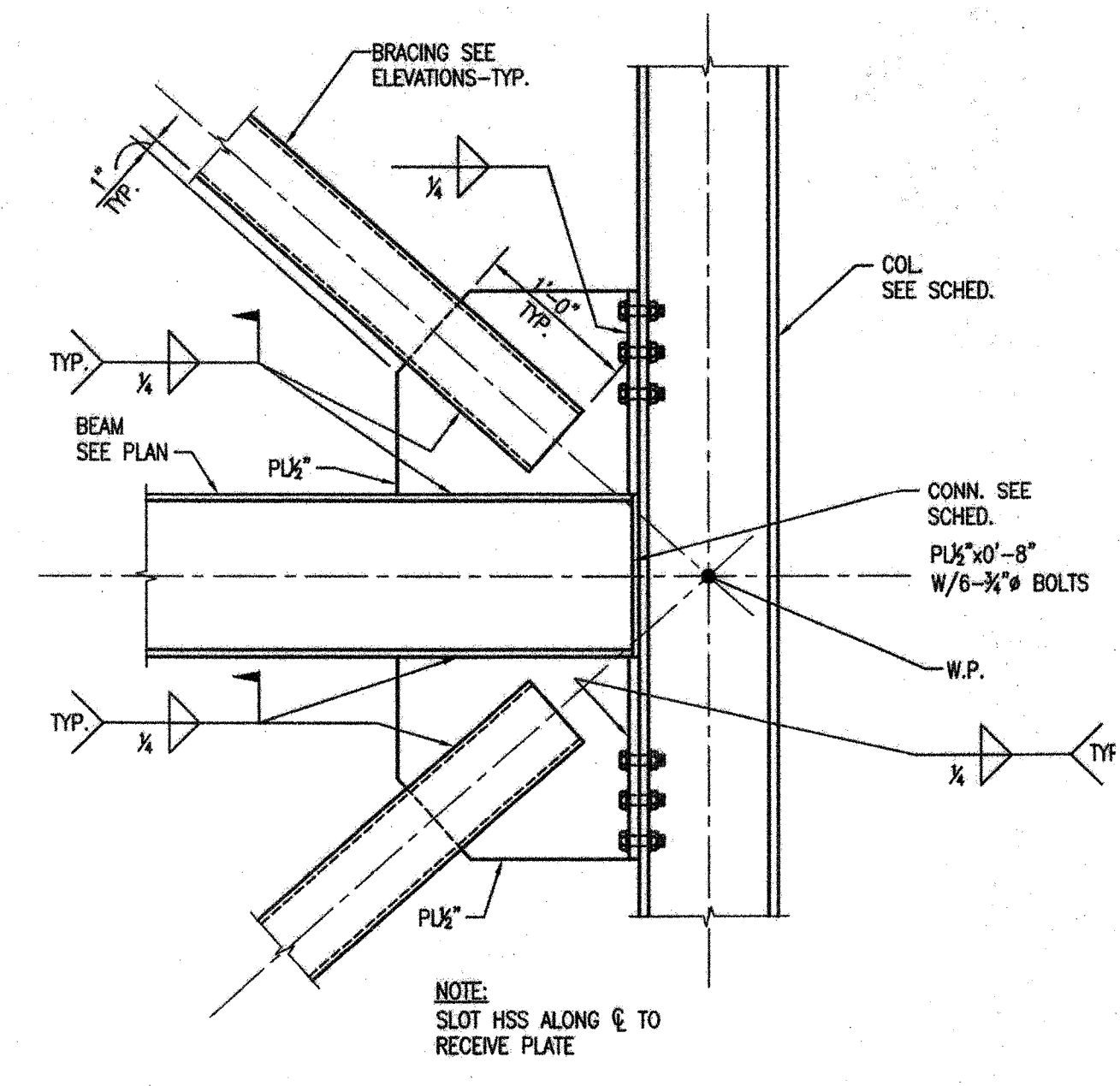
NOTE:
 SLOT HSS ALONG C TO RECEIVE PLATE

5 DETAIL
 S6.04 1"=1'-0"



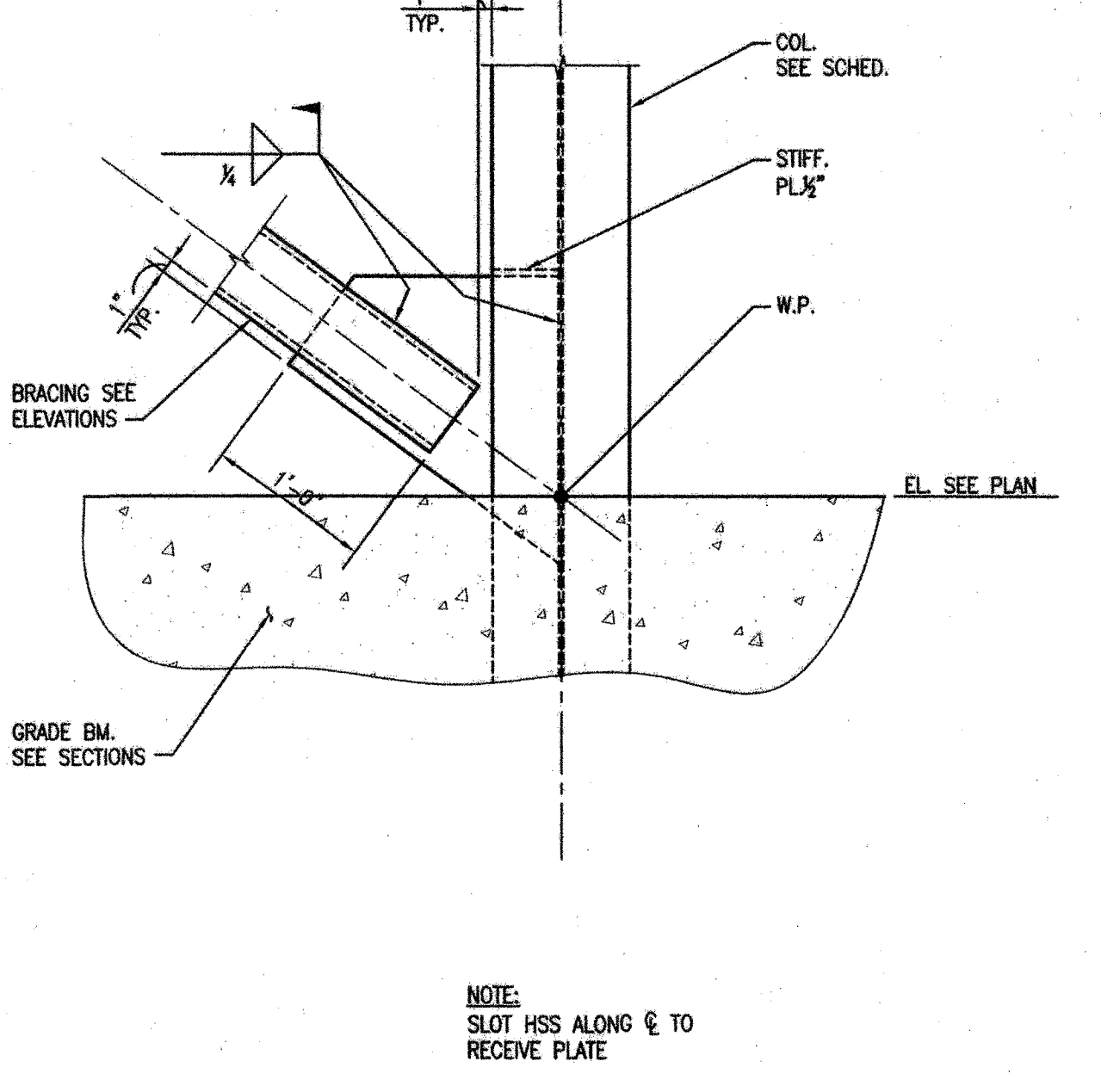
NOTE:
 SLOT HSS ALONG C TO RECEIVE PLATE

6 DETAIL
 S6.04 1"=1'-0"



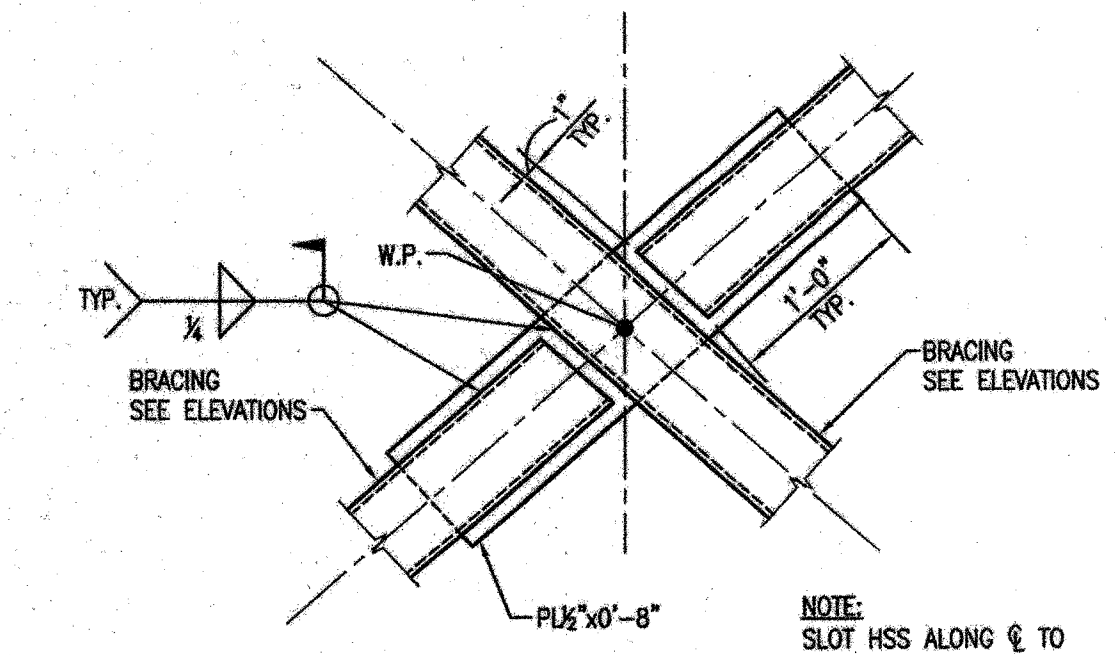
NOTE:
 SLOT HSS ALONG C TO RECEIVE PLATE

7 DETAIL
 S6.04 1"=1'-0"

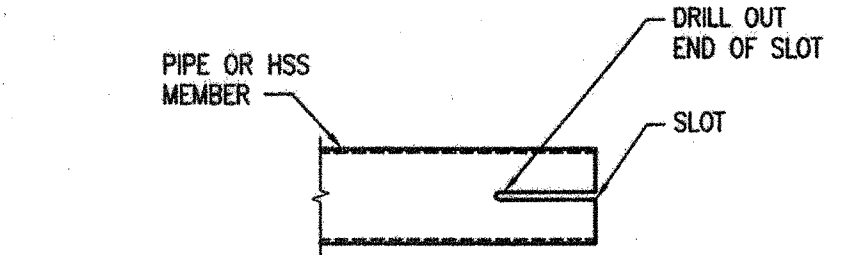


NOTE:
 SLOT HSS ALONG C TO RECEIVE PLATE

8 DETAIL
 S6.04 1"=1'-0"



9 DETAIL
 S6.04 1"=1'-0"



10 DETAIL-TYPICAL DRILL OUT AT SLOTTED MEMBER
 S6.04 1"=1'-0"

NEW 3 SECTION ELEMENTARY SCHOOL
 AT FISK-HOWARD SCHOOL
 RECOVERY SCHOOL DISTRICT

211 S. LOPEZ STREET NEW ORLEANS, LOUISIANA 70119

DATE ISSUED:	7 DECEMBER, 2012
REVISED:	
REVISED:	
REVISED:	
REVISED:	
DRAWN BY:	WFD
CHECKED BY:	JAS
PHASE:	

BID DOCUMENTS

11085

TITLE:
 BRACING DETAILS

SHEET:

S6.04