

SEE ELEVATIONS SHEET A-2  
FOR EQUIPMENT LOCATION

**ACCESS CONTROL SYMBOL LEGEND**

	MAG Slide Card Reader W/4445
	MAG LOCK SECURITY MESSRPG W/Z BRACKET
	MAG LOCK SECURITY MESSRPG W/Z BRACKET
	CAMERA
	JUNCTION BOX

SITE PLAN  
SCALE 1/8" = 1'-0"

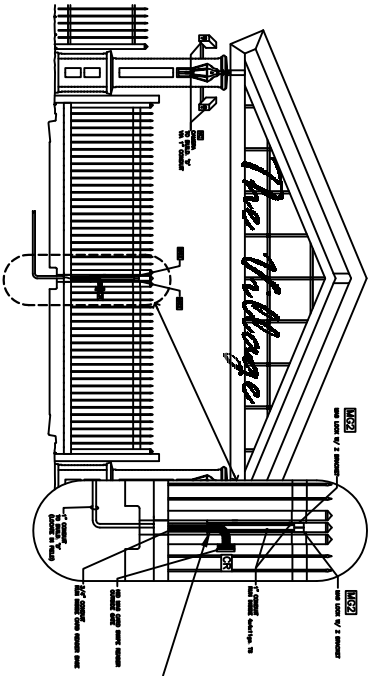
GATE PLAN  
SCALE 3/16" = 1'-0"

GATE PLAN  
SCALE 3/16" = 1'-0"

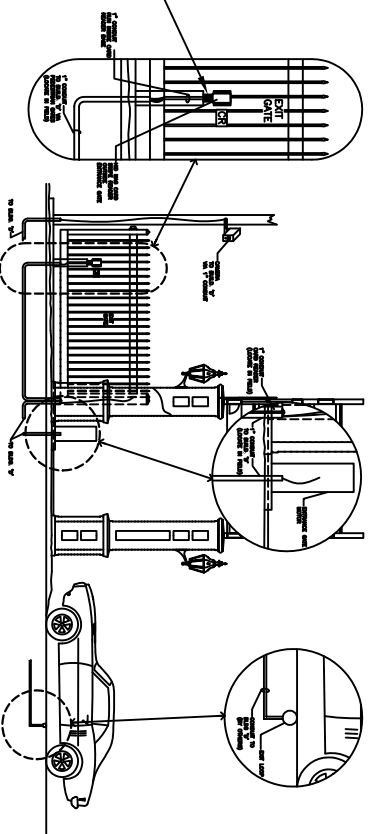
SCALE/S NOTED  
FILE:  
JOB NO. 1807  
DATE: 4-29-07  
SHEET 1  
A-1  
OF 2

UNIVERSITY OF SOUTHERN MS  
**DAMMON ENGINEERING, INC.**  
 1095 FLORIDA AVENUE 985-849-5888 SLIDELL, LA. 70458  
 DAMMONENGINEERING.COM

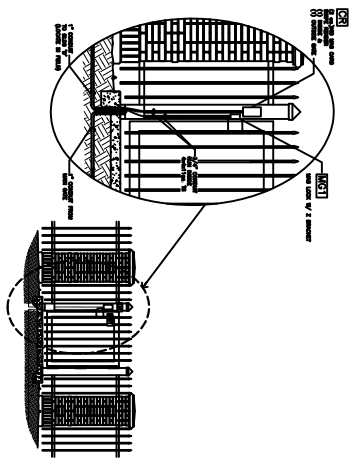
GATE PLANS  
 THE VILLAGE  
 UNIVERSITY OF  
 SOUTHERN MISSISSIPPE



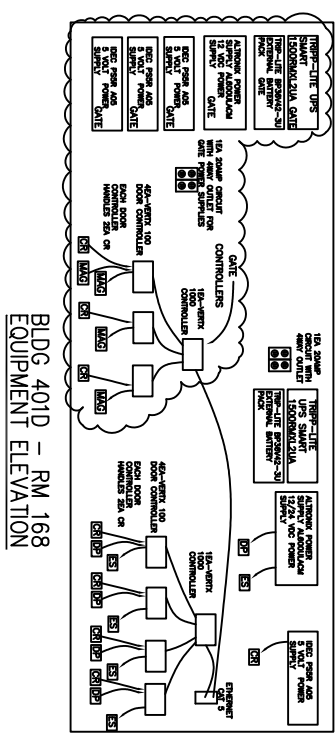
MAIN GATE W/MAG LOOKS & CARD READER  
FRONT ELEVATION  
SCALE 1/4" = 1'-0"



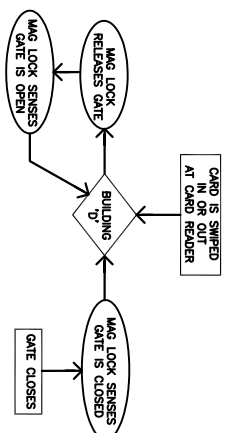
MAIN GATE W/CARD READER & EXIT LOOP  
RIGHT SIDE ELEVATION  
SCALE 1/4" = 1'-0"



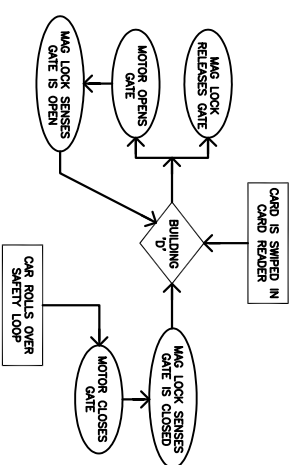
PEDESTRIAN GATE ELEVATION  
SCALE 3/4" = 1'-0"



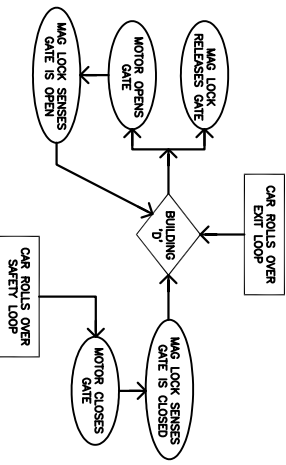
BLDG 401D - RM 168  
EQUIPMENT ELEVATION



PEDESTRIAN GATE FLOW CHART



MAIN GATE ENTRANCE FLOW CHART



MAIN GATE EXIT FLOW CHART

SCALE:AS NOTED  
FILE:  
JOB NO. 1807  
DATE:4-29-07  
SHEET 2  
A-2  
OF 2

UNIVERSITY OF SOUTHERN MS  
**DAMMON ENGINEERING, INC.**  
1095 FLORIDA AVENUE 985-849-5858 SIDDELL, LA. 70458  
DAMMONENGINEERING.COM

ELEVATIONS  
THE VILLAGE  
UNIVERSITY OF  
SOUTHERN MISSISSIPPI