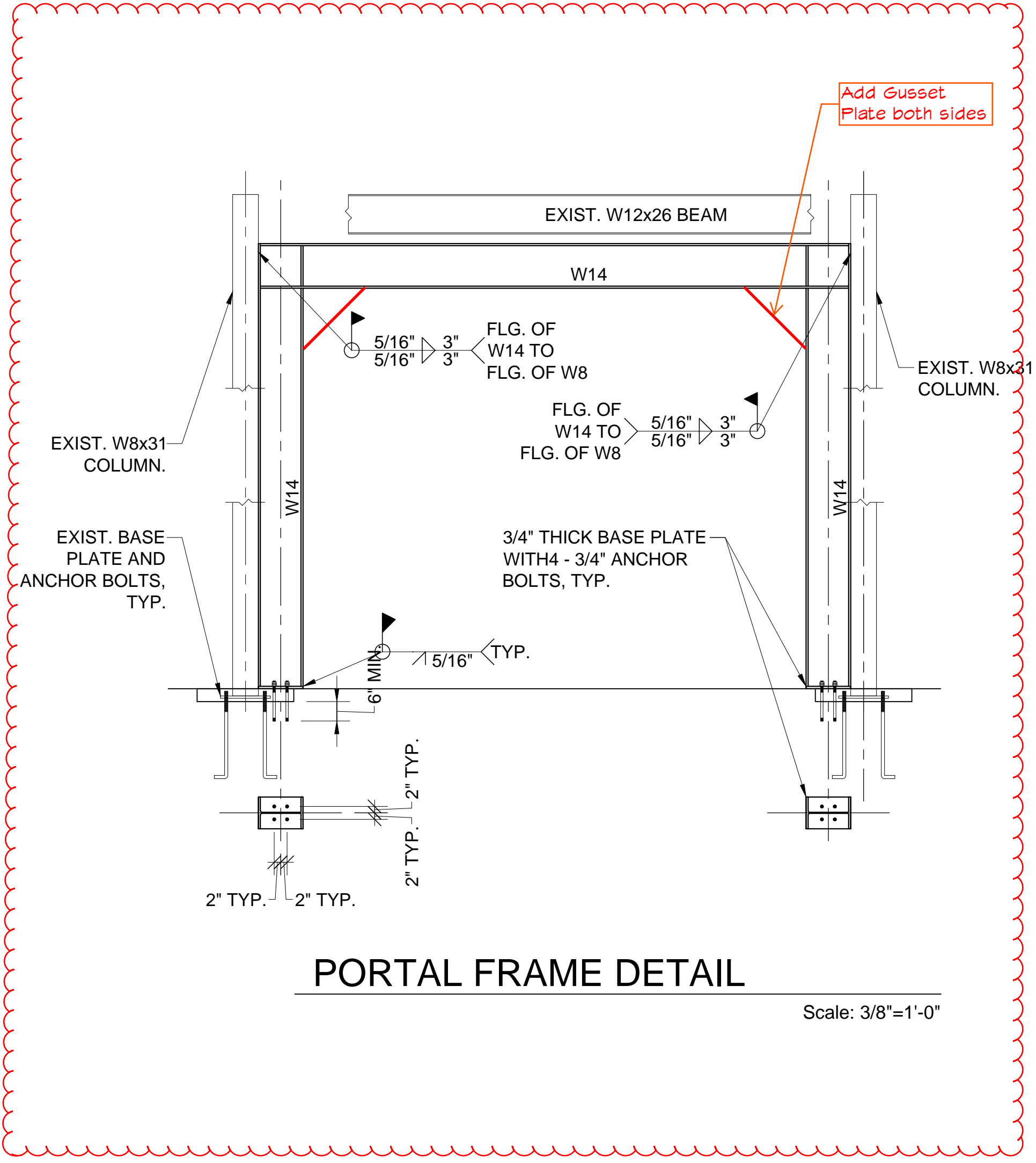
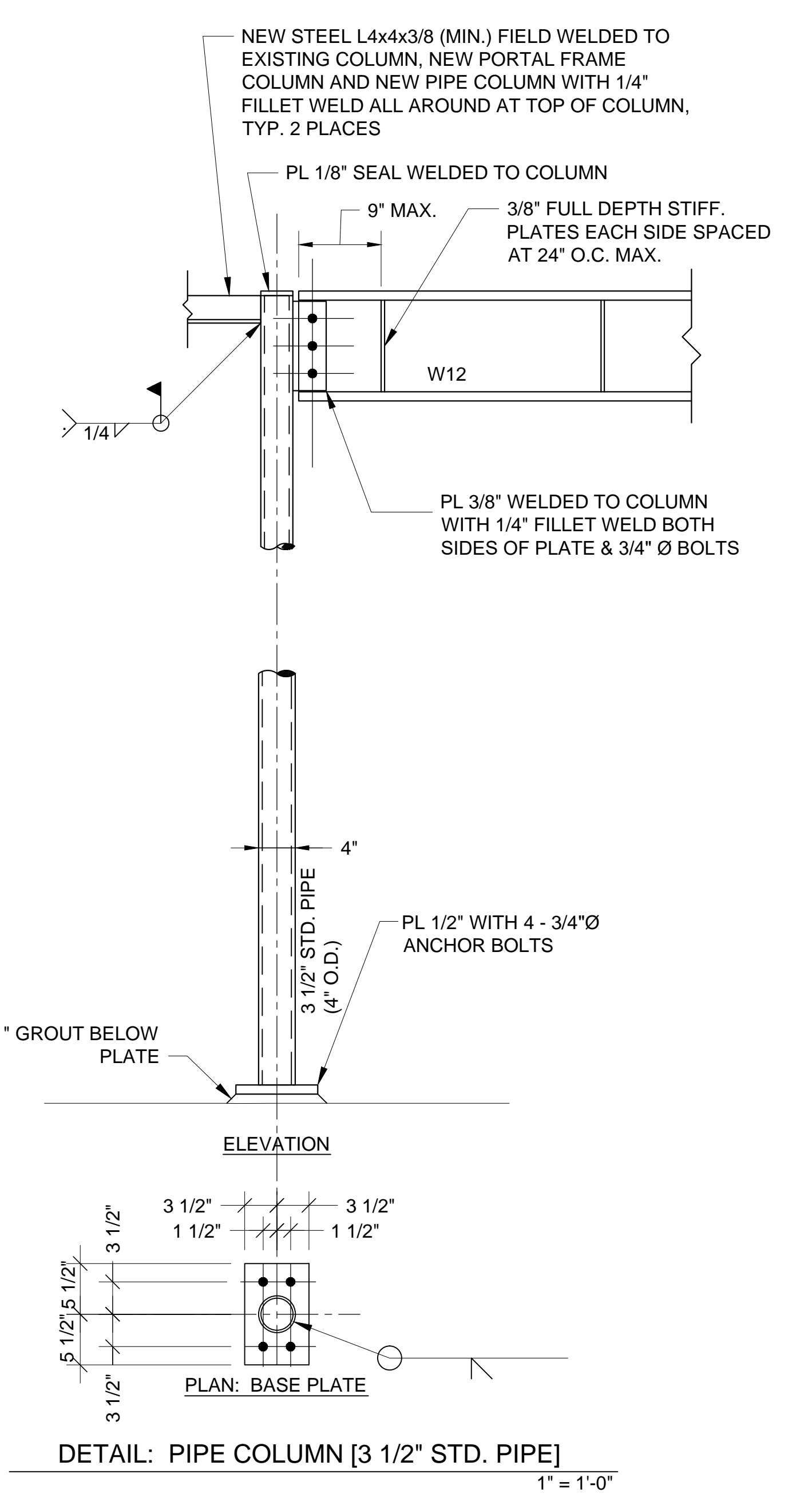
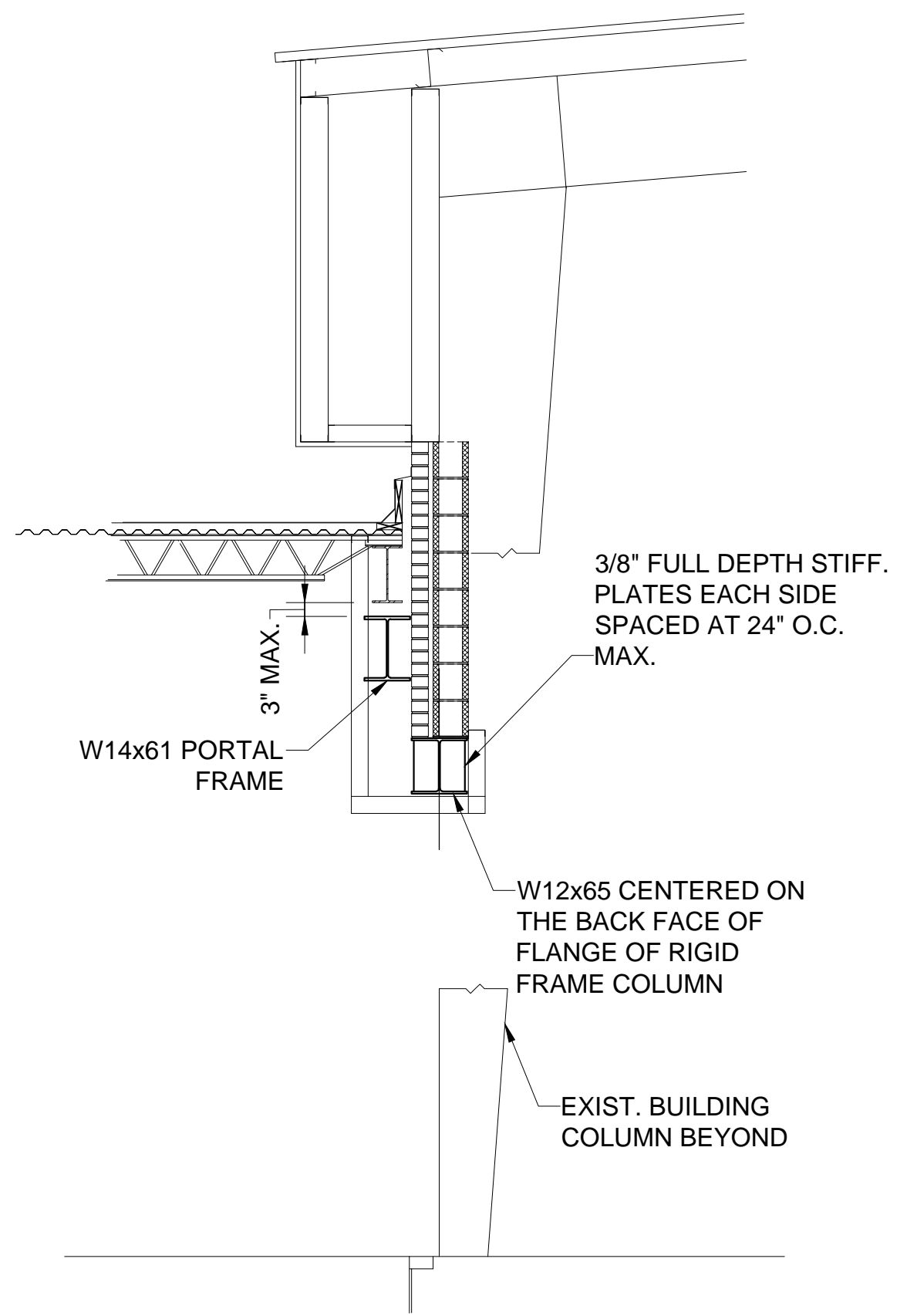


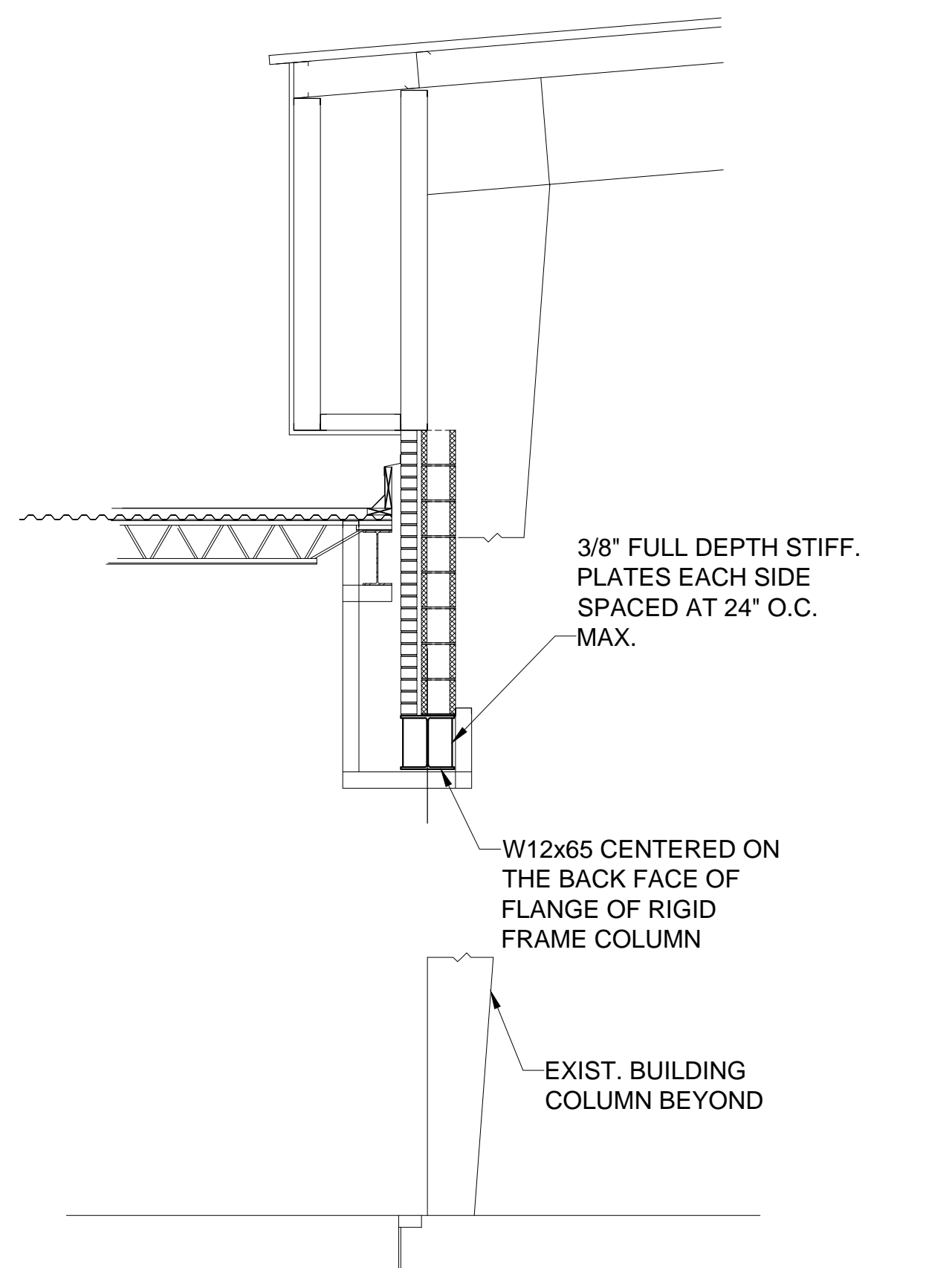
PARTIAL PLAN: CAFETERIA/GYM
Scale: 3/16"=1'-0"



PORTAL FRAME DETAIL
Scale: 3/8"=1'-0"



STRUCTURAL SECTION A
Scale: 3/8"=1'-0"



STRUCTURAL SECTION B
Scale: 3/8"=1'-0"

- NOTES**
- SEE DRAWINGS S1 & S3.1 FOR NOTES & ADDITIONAL INFORMATION.
 - SUBMIT STEEL SHOP DRAWINGS TO ENGINEER FOR REVIEW PRIOR TO CONSTRUCTION
 - SHORING & SELECTIVE DEMOLITION IS SOLELY THE RESPONSIBILITY OF THE GENERAL CONTRACTOR

CAFETERIA/GYM PLAN
PIAZZA ARCHITECTURE PLANNING
MADISONVILLE ELEMENTARY SCHOOL
MADISONVILLE, LA
ST. TAMMANY PARISH

REV.	REVISION DESCRIPTION	DATE
0	ISSUED FOR CONSTRUCTION	12/03/18

Cypress Engineering

PROJECT No. 18-0186FE

DRAWN BY CE	CHECKED BY DAP	DRAWING S3.8
----------------	-------------------	------------------------

© Copyright, an unpublished work by Cypress Engineering, LLC. ALL RIGHTS RESERVED. Phone: (985) 871-7065 Fax: (985) 624-4749 Email: engineer@cypressengineer.com