

Dammon Engineering Inc.

1095 Florida Ave.
Slidell, LA 70458
(985) 649-5832
Fax: (985) 641-5950

FAX COVER SHEET

FAX NUMBER TRANSMITTED TO: 781 - 9819

TO: Maria

FROM: Brandon

CLIENT/MATTER: _____

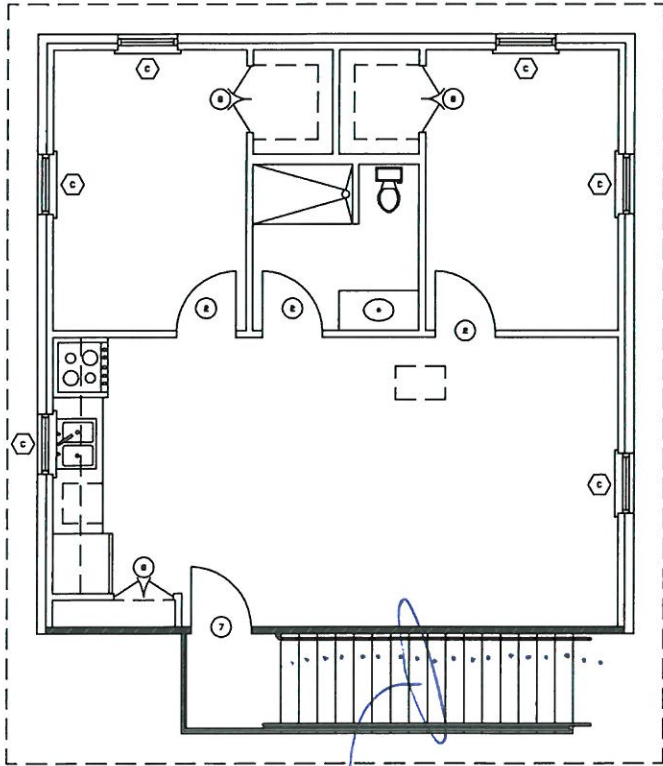
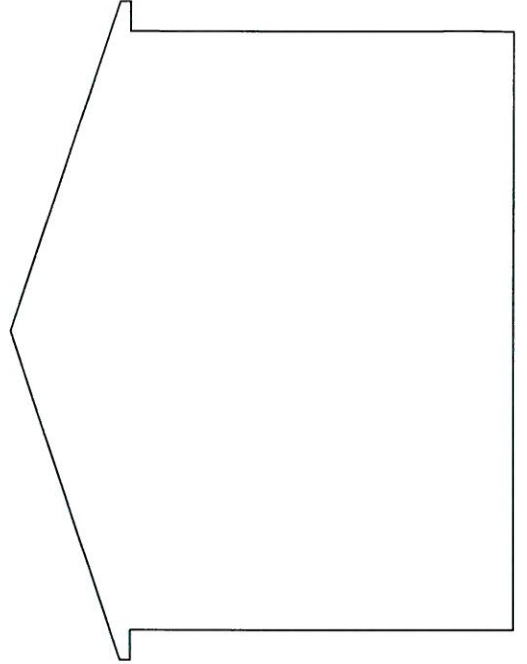
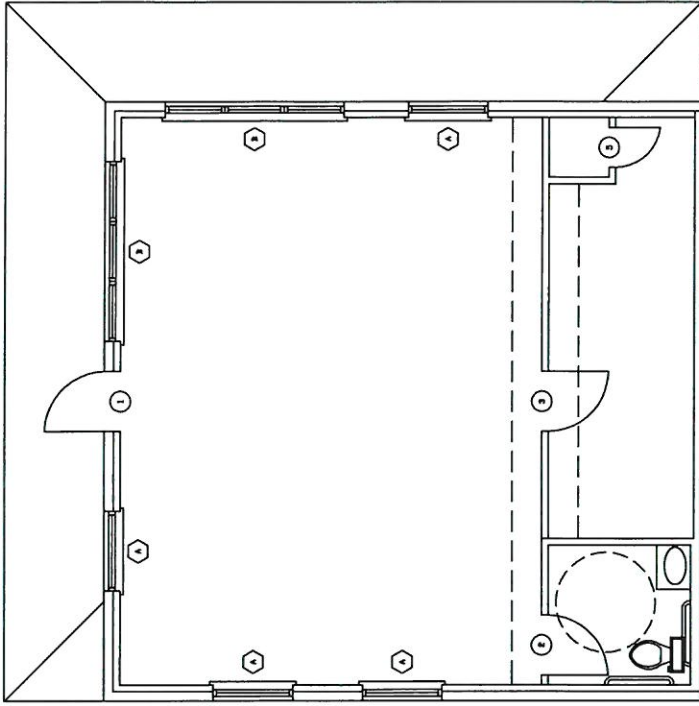
REFERENCE: _____

DATE: 7/10/07 NO. OF PAGES INCLUDING COVER SHEET: 2

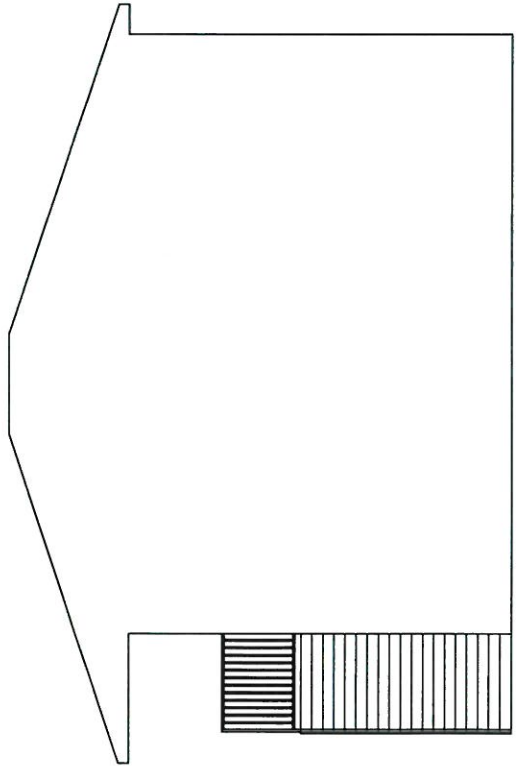
COMMENTS: _____

I'm going to call you on this.

IF YOU EXPERIENCE ANY PROBLEMS RECEIVING THIS FAX, PLEASE CALL (985) 649-5832,
OR FAX (985) 641-5950



Brick



19 risers @
10'-7 1/4"