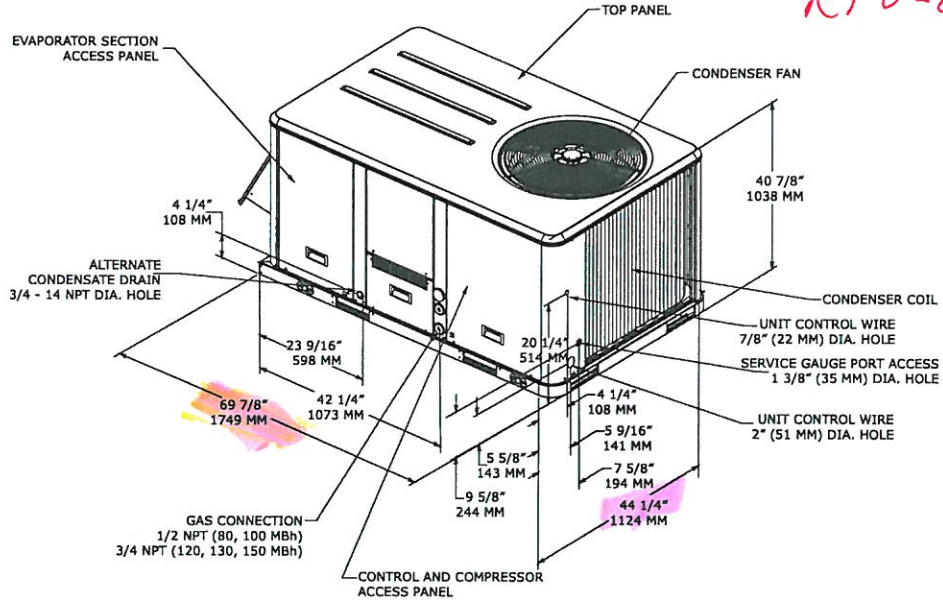




Dimensional Data

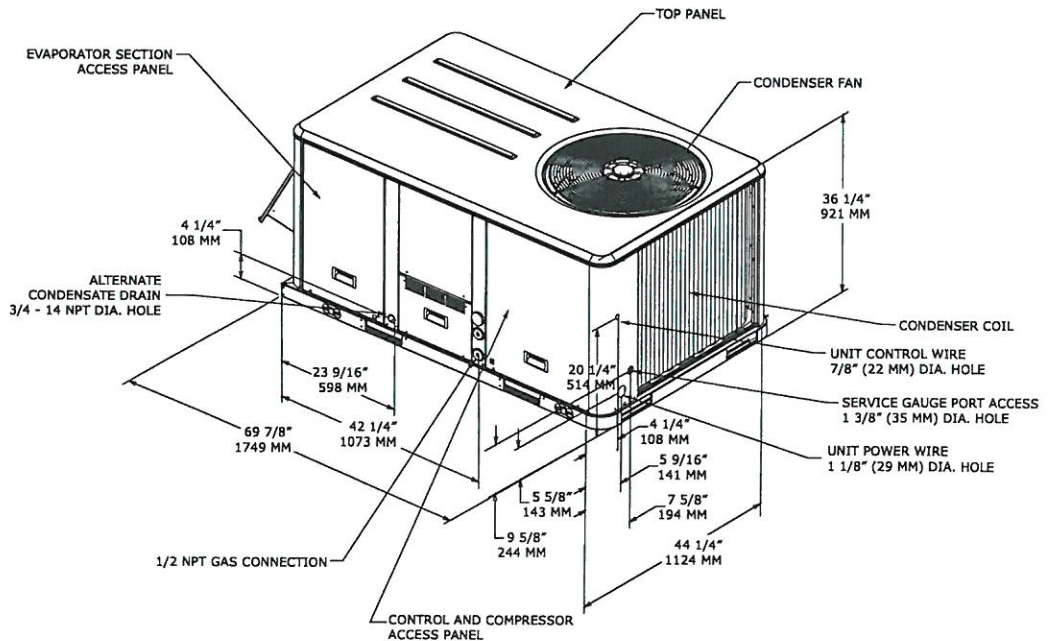
RTU-1
RTU-2
RTU-4
RTU-5
RTU-6
RTU-7
RTU-8

Figure 4. Cooling and gas/electric – 3 to 5 tons standard efficiency



Note: 1/2 NPT or 3/4 NPT gas connection = (Y_C models only); 2\" electrical connection: single point power when heat installed (T_C models only)

Figure 5. Cooling and gas/electric – 3 tons high efficiency



Note: 1/2 NPT gas connection = (Y_C models only); 2\" electrical connection: single point power when heat installed (T_C models only)

Figure 6. Cooling and gas/electric – 3 to 5 tons standard efficiency, 3 tons high efficiency downflow airflow supply/return – through-the-base utilities

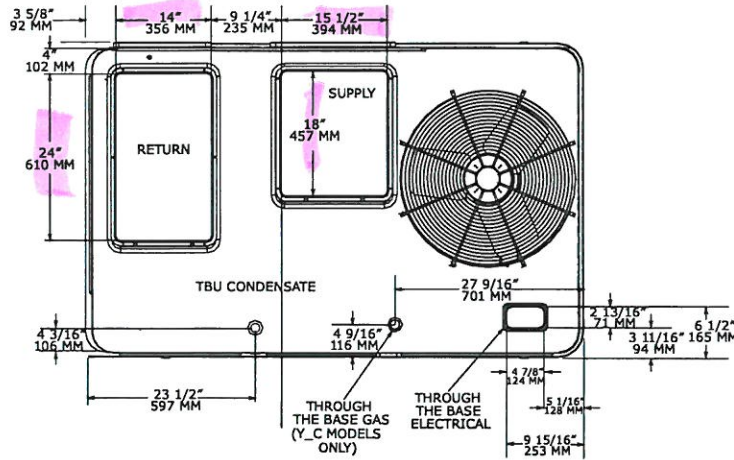


Figure 7. Cooling and gas/electric – 3 to 5 tons standard efficiency, 3 tons high efficiency – horizontal airflow supply/return

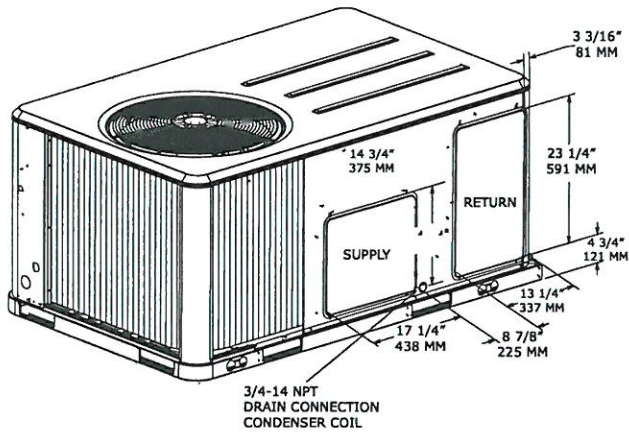
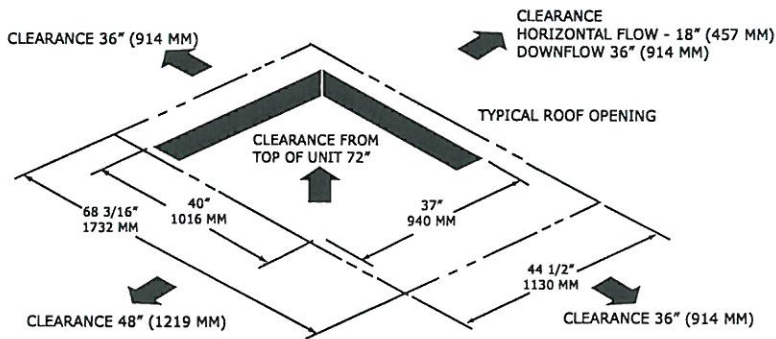


Figure 8. Cooling and gas/electric – 3 to 5 tons standard efficiency, 3 tons high efficiency – unit clearance and roof opening



RTV-3

Figure 25. Cooling and gas/electric – 10 tons high efficiency

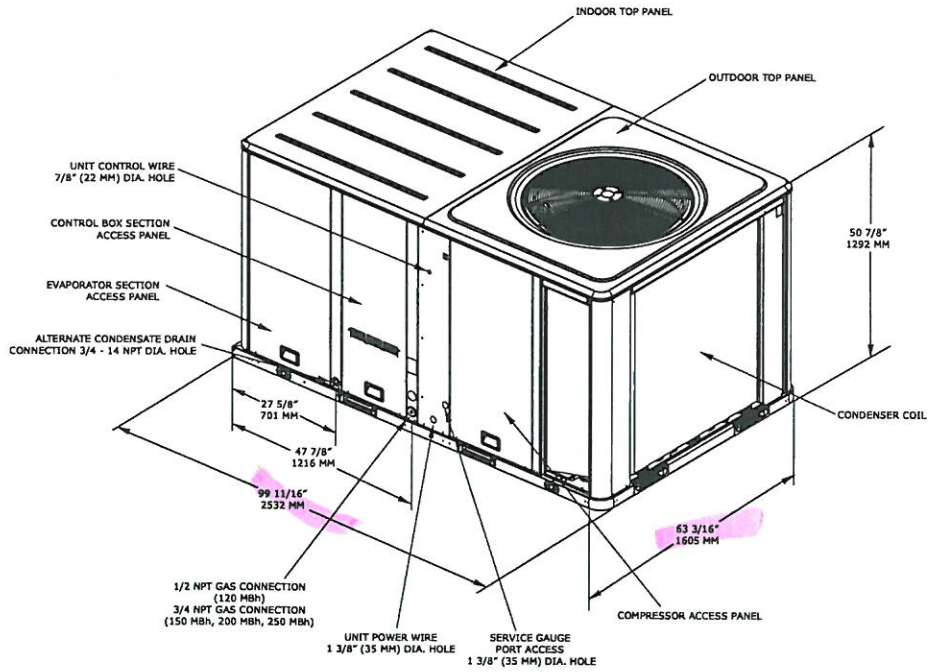


Figure 26. Cooling and gas/electric – 10 tons high efficiency – downflow airflow supply/return, through-the-base utilities

