

RTU-1  
 WEIGHT- 1980 LBS  
 RTU-2  
 WEIGHT- 1840 LBS

### Dimensional Data

Figure 5. Cooling with optional electric heat and gas/electric models—12½ tons standard efficiency—downflow unit supply/return and unit clearance

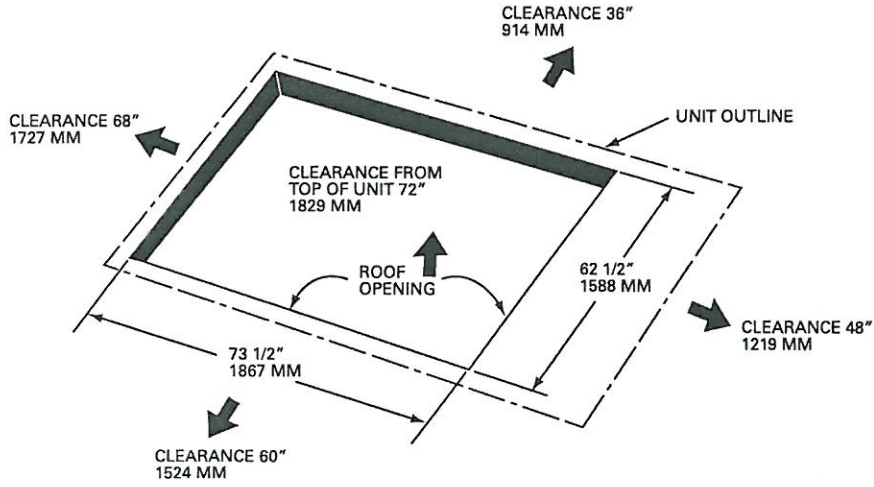
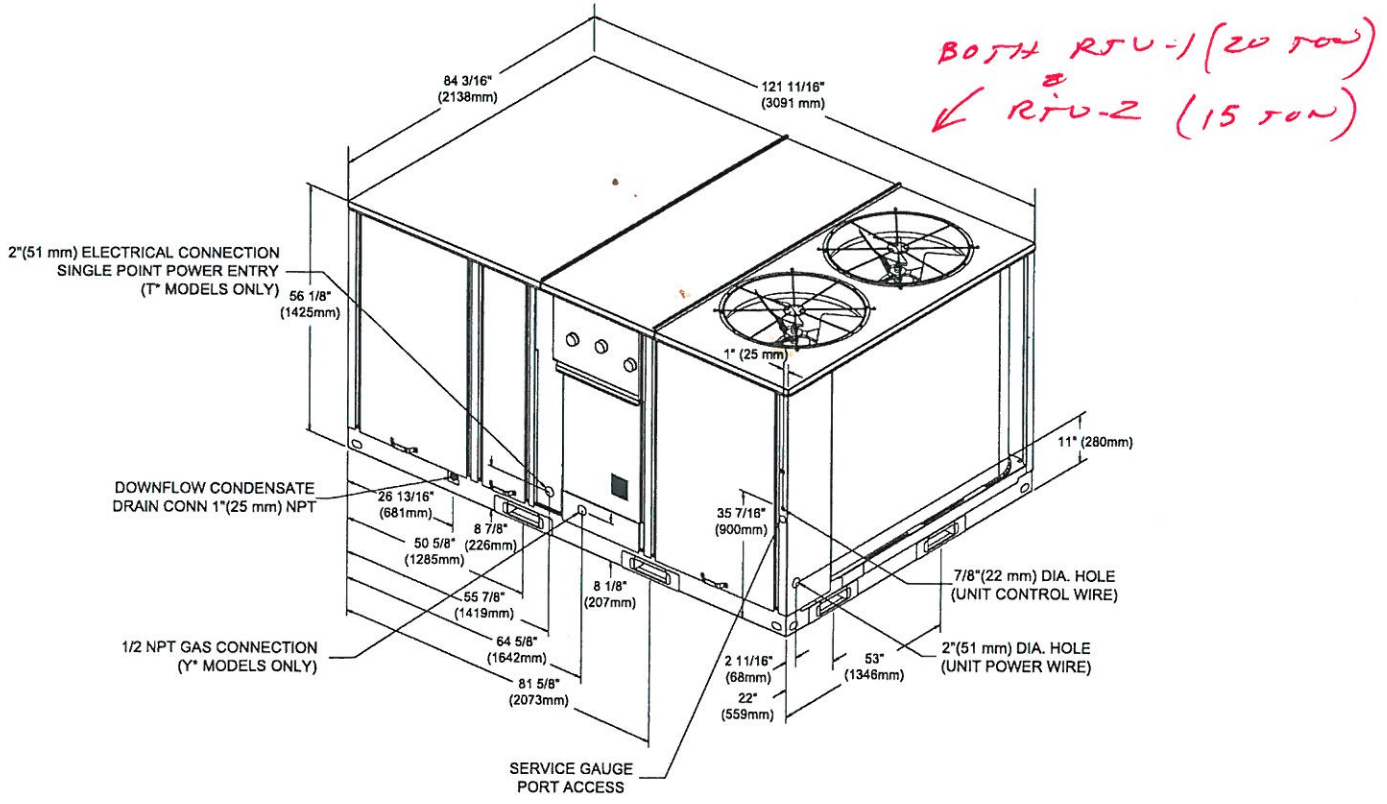


Figure 6. Cooling with optional electric heat and gas/electric models—15–25 tons standard efficiency & 12.5 ton high efficiency



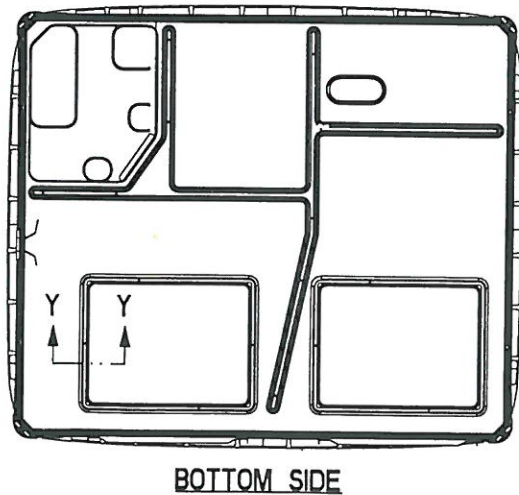
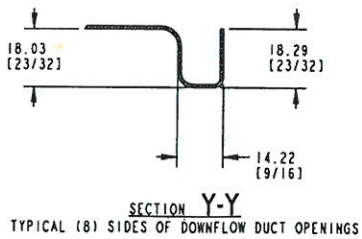
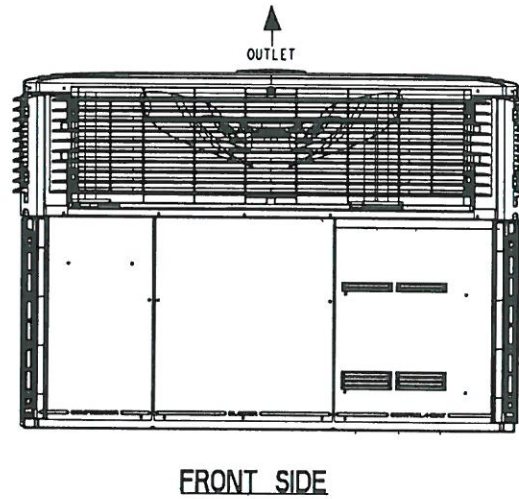
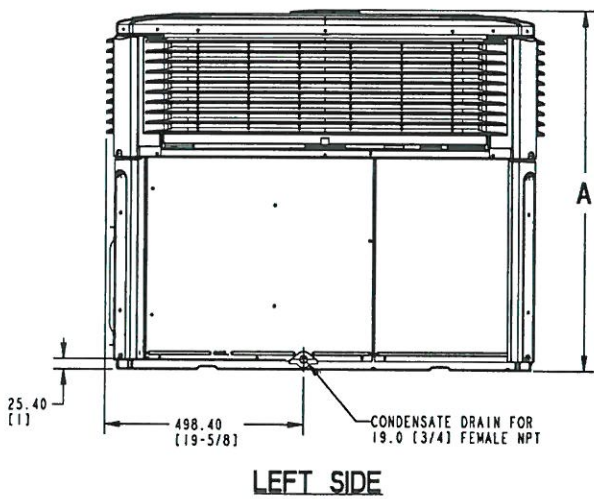
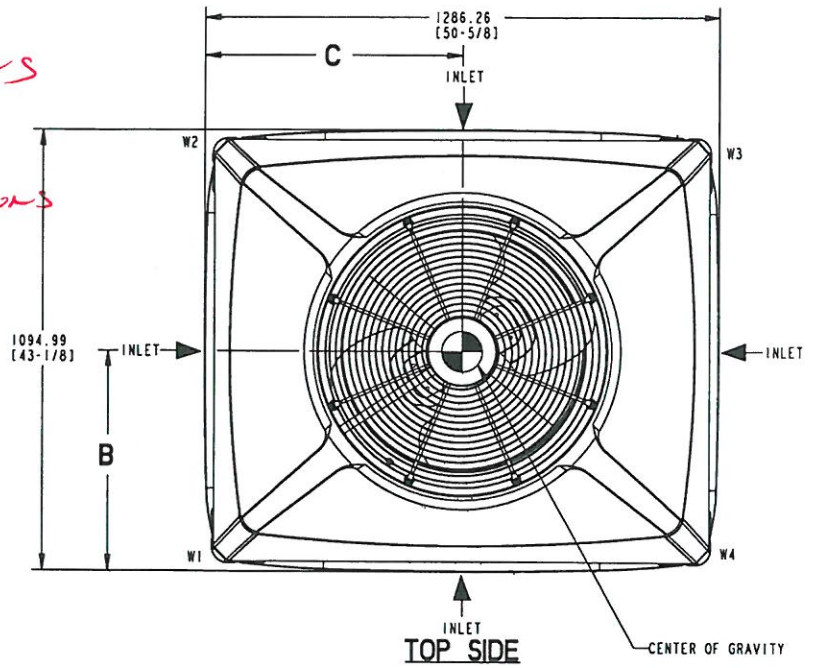
# Dimensional Data and Weights

RTU-3  
WEIGHT  $\Rightarrow$  450#s

RTU-7  
WEIGHT  $\Rightarrow$  450#s

$\Rightarrow$  2 TONS

$\Rightarrow$  2 1/2 TONS



NOTE: The view labeled "Bottom Side" represents the Base as viewed looking up from underneath the unit.

4TCY4024 through 4TCY4036 (1 of 3)

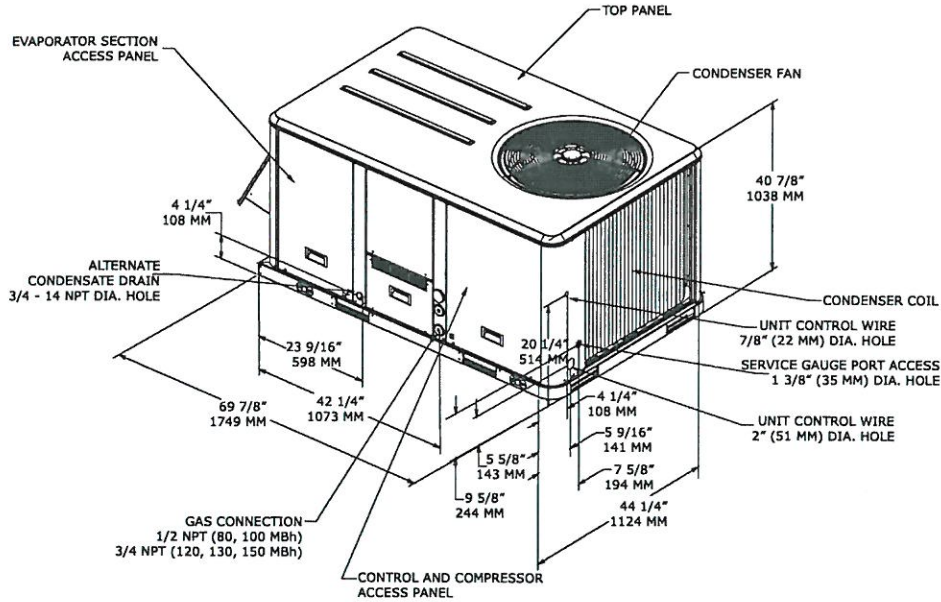


# Dimensional Data

RTU-5 & RTU-6  
WEIGHT/EA = 600 #S  
4 TONS / EA.

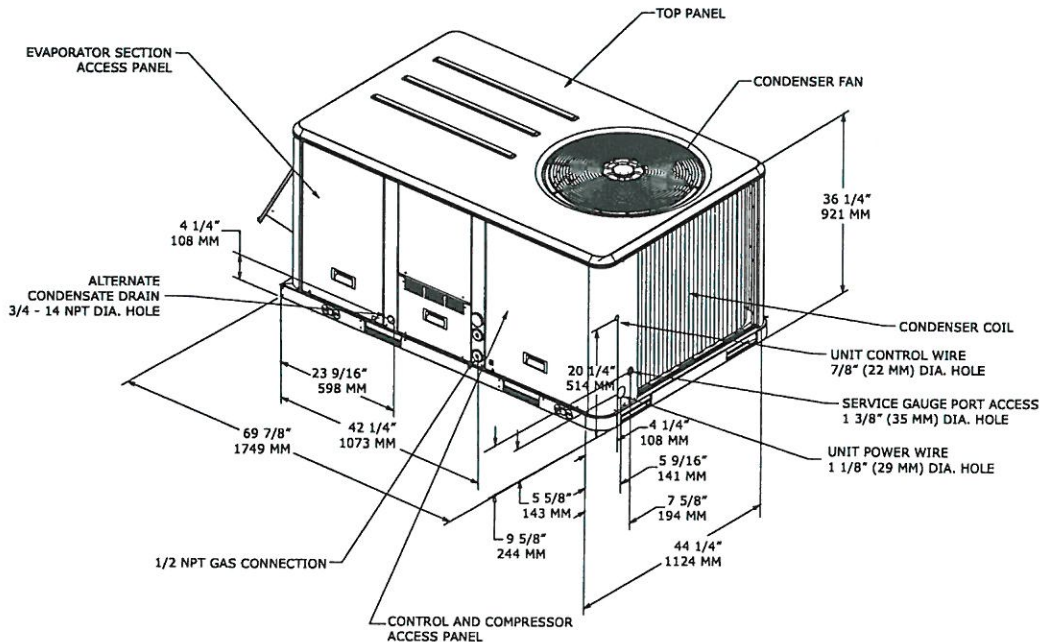
RTU-4  
WEIGHT = 710 #S  
5 TONS

Figure 4. Cooling and gas/electric – 3 to 5 tons standard efficiency



Note: 1/2 NPT or 3/4 NPT gas connection = (Y\_C models only); 2" electrical connection: single point power when heat installed (T\_C models only)

Figure 5. Cooling and gas/electric – 3 tons high efficiency



Note: 1/2 NPT gas connection = (Y\_C models only); 2" electrical connection: single point power when heat installed (T\_C models only)