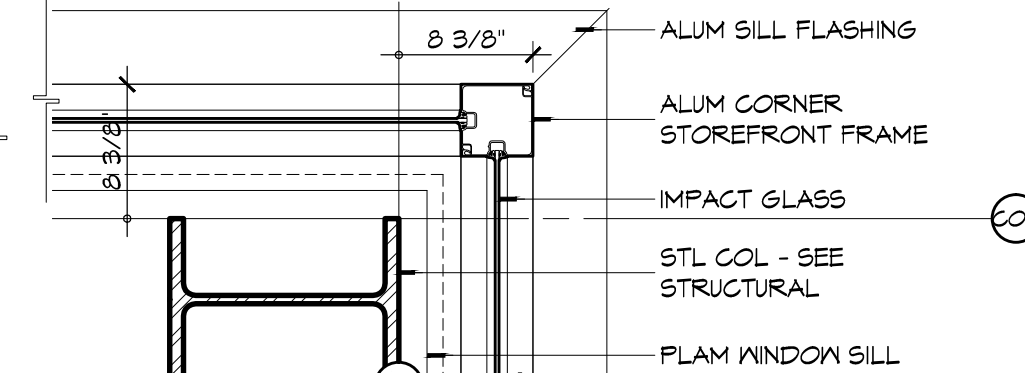
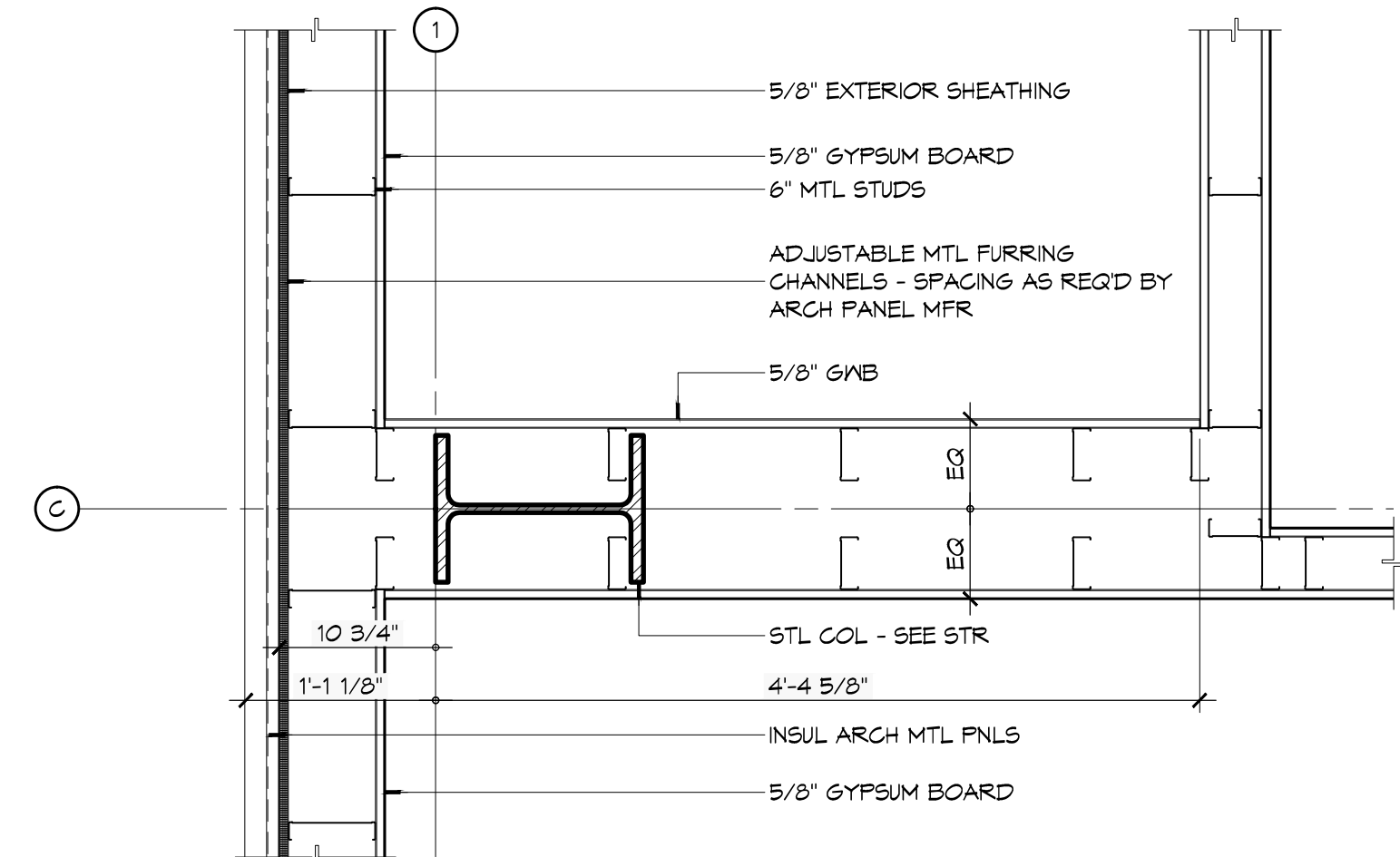


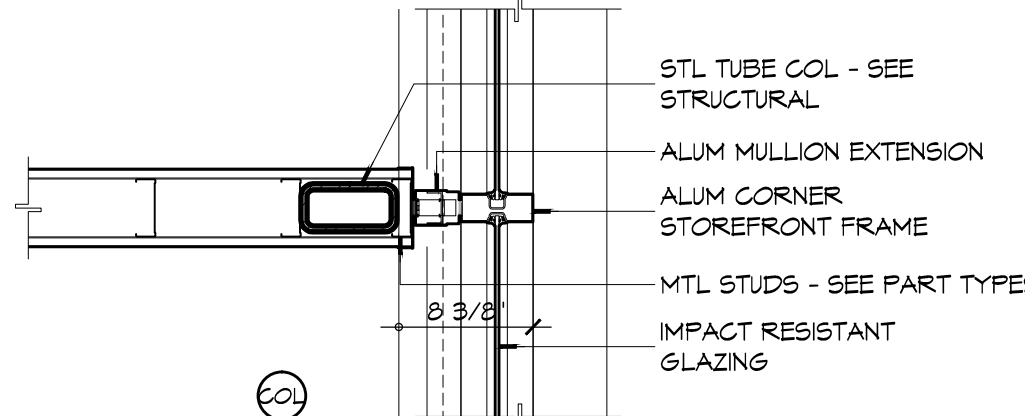
10 PLAN DETAIL
SCALE: 1" = 1'-0"



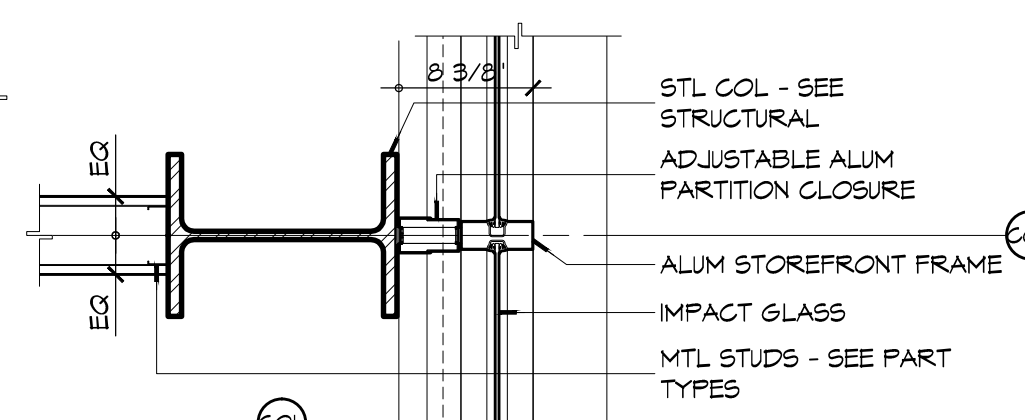
9 PLAN DETAIL
SCALE: 1" = 1'-0"



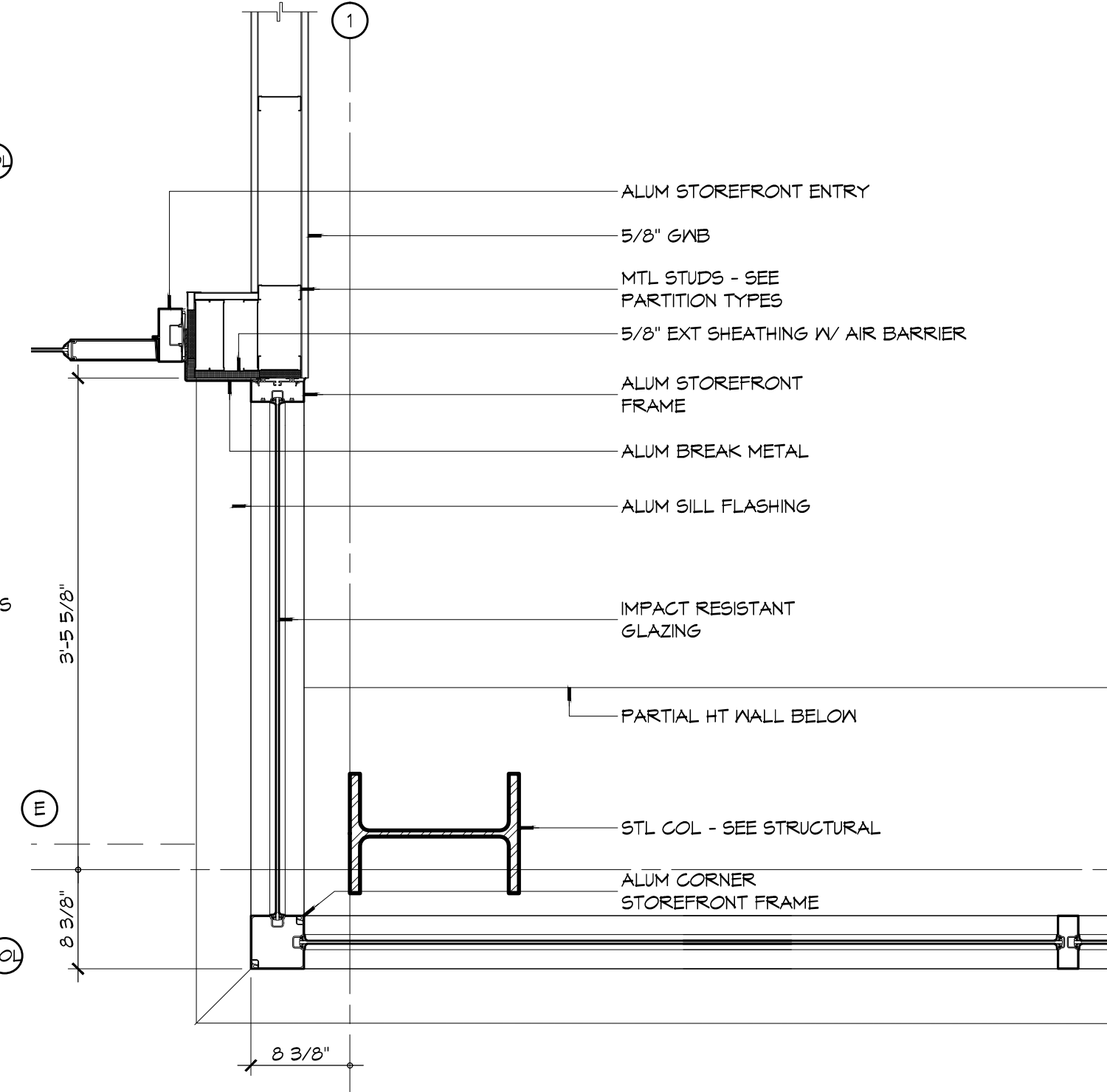
7 PLAN DETAIL
SCALE: 1" = 1'-0"



8 PLAN DETAIL
SCALE: 1" = 1'-0"



6 PLAN DETAIL
SCALE: 1" = 1'-0"



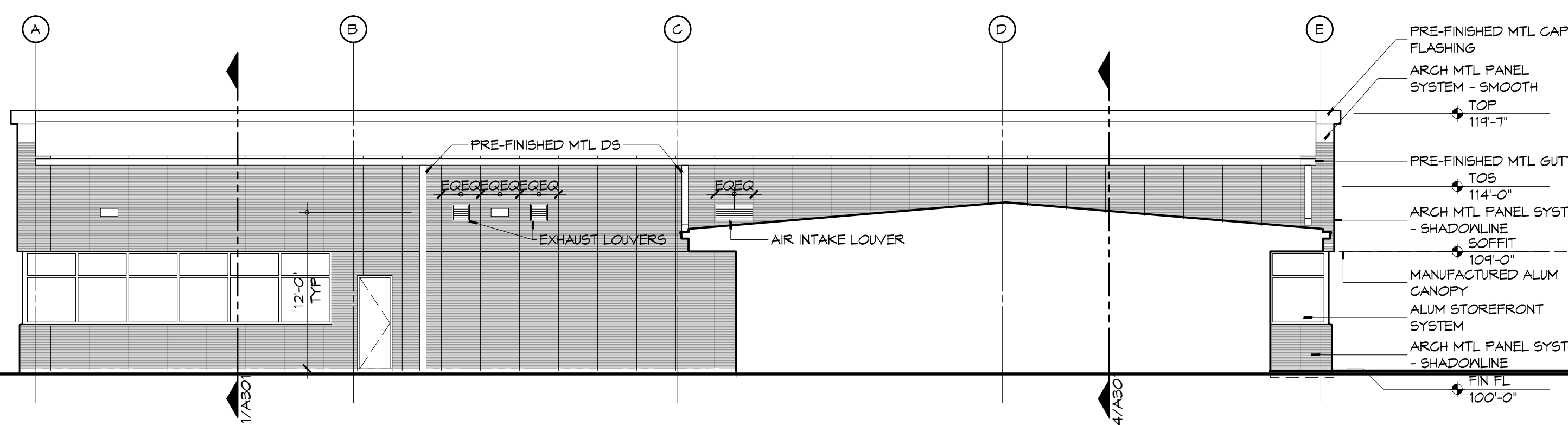
5 PLAN DETAIL
SCALE: 1" = 1'-0"

GENERAL ELEVATION NOTES

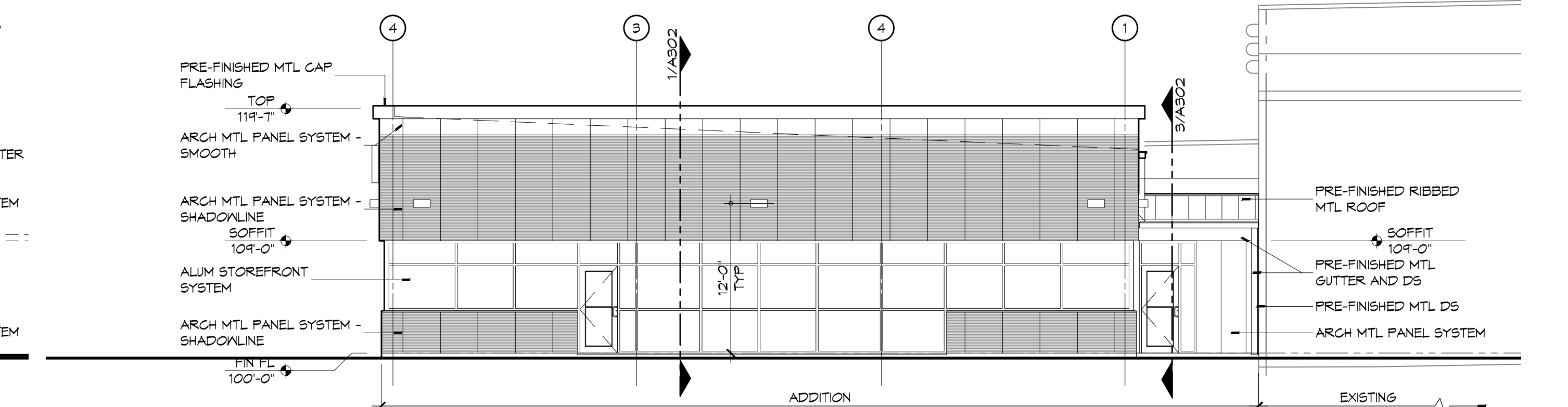
- METAL PANEL SPECIFICATIONS:**
- A. INSULATED ARCHITECTURAL METAL PANEL BASIS OF DESIGN: DESIGNWALL 2000 FLAT PANEL AND DESIGNWALL 2000S SHADOWLINE PANEL.
 - B. THICKNESS: 2 INCHES
 - C. EXTERIOR PAINT FINISH COLOR: SELECTED BY ARCHITECT FROM CURRENT KINGSPAN INSULATED PANELS COLOR CHART.
 - D. ACCESSORIES:
 - 1. FASTENERS: FASTENERS AS RECOMMENDED BY MANUFACTURER.
 - 2. CLIPS: SHALL BE ZINC-PLATED C1080 ANNEALED SPRING STEEL, HEAT-TREATED TO NOMINAL 150 KSI YIELD STRENGTH.
 - 3. PERIMETER TRIM:
 - a. FABRICATED PERIMETER TRIM AND METAL FLASHING: SHALL BE SAME GAUGE, MATERIAL AND COATING COLOR AS EXTERIOR FACE OF INSULATED METAL WALL PANEL.
 - b. EXTRUDED PERIMETER TRIM: SHALL BE EXTRUDED ALUMINUM 6063-T5 ALLOY WITH SPRAY APPLIED PVF COATING IN SAME COLOR AS EXTERIOR FACE OF INSULATED METAL WALL PANEL.
 - 4. BUTYL WEATHER BARRIER SEALANT: NON-SKINNING BUTYL TUBE SEALANT PER PANEL MANUFACTURER'S RECOMMENDATIONS COMPLIANT WITH AAMA 809.2.
 - 5. SEALANTS AT EXPOSED JOINTS: ELASTOMERIC POLYURETHANE OR NEUTRAL CURE SILICONE SEALANT COMPLIANT WITH ASTM C920.
 - E. EXECUTION
 - 1. EXAMINATION
 - c. PROVIDE FIELD MEASUREMENTS TO MANUFACTURER AS REQUIRED TO ACHIEVE PROPER FIT OF THE PREFORMED WALL PANEL. ENVELOPE MEASUREMENTS SHALL BE PROVIDED IN A TIMELY MANNER SO THAT THERE IS NO IMPACT TO CONSTRUCTION OR MANUFACTURING SCHEDULE.
 - d. SUPPORTING STEEL: ALL STRUCTURAL SUPPORTS REQUIRED FOR INSTALLATION OF PANELS SHALL BE BY OTHERS. SUPPORT MEMBERS SHALL BE INSTALLED WITHIN THE FOLLOWING TOLERANCES:
 - 1. PLUS OR MINUS 1/8 INCH IN 5 FEET IN ANY DIRECTION ALONG PLANE OF FRAMING.
 - 2. PLUS OR MINUS 1/4 INCH CUMULATIVE IN 20 FEET IN ANY DIRECTION ALONG PLANE OF FRAMING.
 - 3. PLUS OR MINUS 1/2 INCH FROM FRAMING PLANE ON ANY ELEVATION.
 - 4. PLUMB OR LEVEL WITHIN 1/8 INCH AT ALL CHANGES OF TRANSVERSE FOR PERFORMED CORNER PANEL APPLICATIONS.
 - 5. VERIFY THAT BEARING SUPPORT HAS BEEN PROVIDED BEHIND VERTICAL JOINTS OF HORIZONTAL PANEL SYSTEMS AND HORIZONTAL JOINTS OF VERTICAL PANEL SYSTEMS. WIDTH OF SUPPORT SHALL BE AS RECOMMENDED BY MANUFACTURER.
 - c. EXAMINE INDIVIDUAL PANELS UPON REMOVING FROM THE BUNDLE; NOTIFY MANUFACTURER OF PANEL DEFECTS. DO NOT INSTALL DEFECTIVE PANELS.

DAMMON ENGINEERING, INC.
Architects & Engineers
www.dammonengineering.com
554 Old Spanish Trail
Slidell, LA 70458
PH: 985.649.5532
F: 985.641.5950

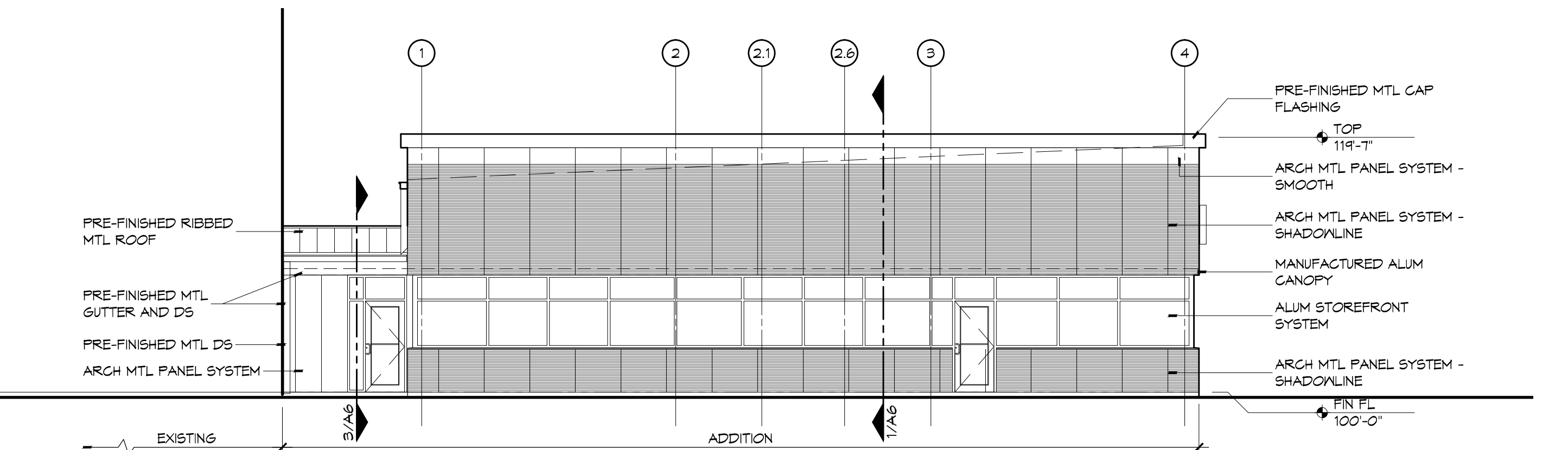
#	DESCRIPTION	DATE



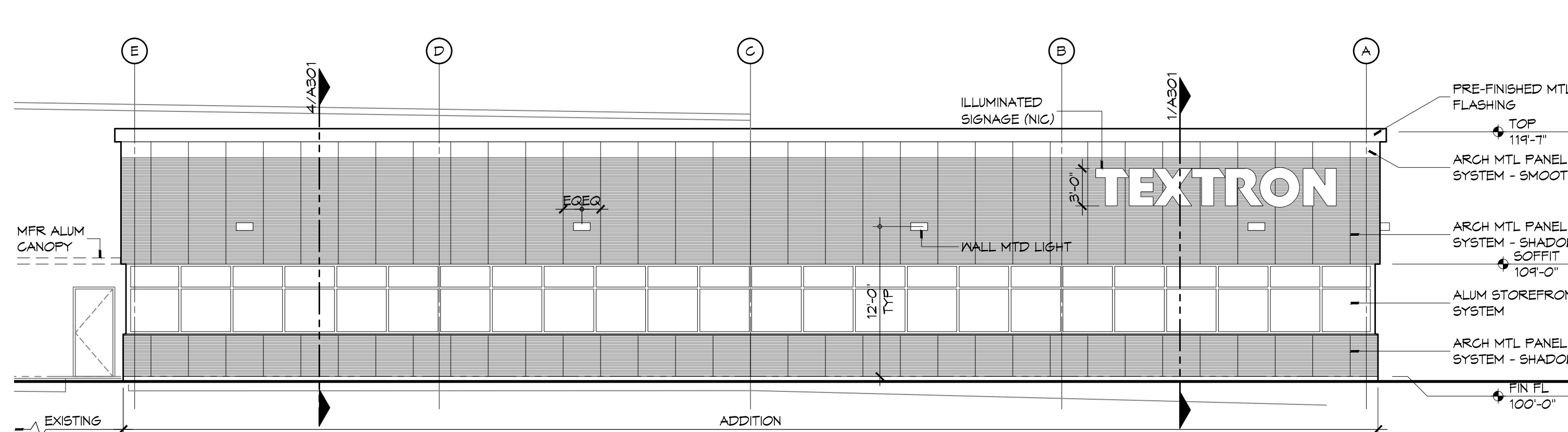
4 EXTERIOR ELEVATION
SCALE: 1/8" = 1'-0"



3 EXTERIOR ELEVATION
SCALE: 1/8" = 1'-0"



2 EXTERIOR ELEVATION
SCALE: 1/8" = 1'-0"



1 EXTERIOR ELEVATION
SCALE: 1/8" = 1'-0"

NEW OFFICE BUILDING ADDITION:
TEXTRON
Marine & Land Systems
252 STONE ROAD
SLIDELL, LOUISIANA
JOB NO: 2209
DATE: AUGUST 5, 2015
DRAWN BY: KJK
CHECKED BY: KJK

SHEET TITLE:
EXTERIOR ELEVATIONS,
PLAN DETAILS

DRAWING NUMBER:
A201

SHEET No: 15 of 26