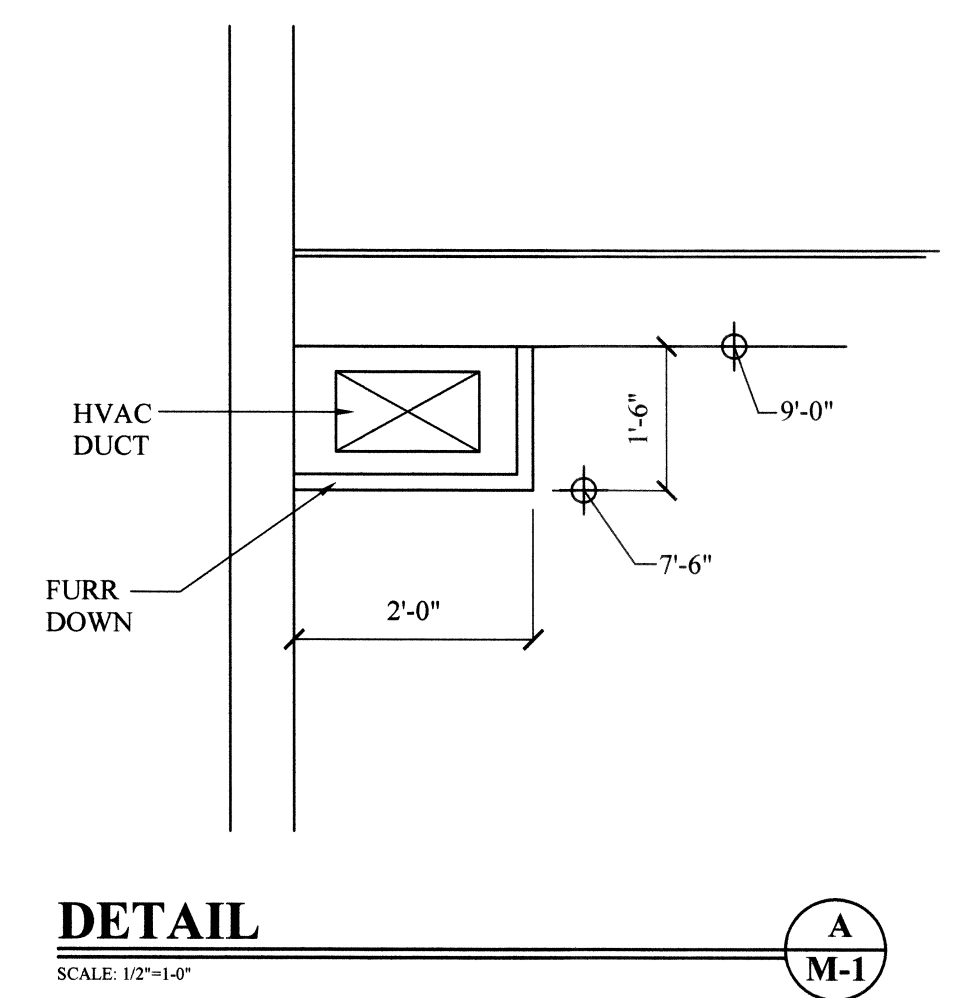
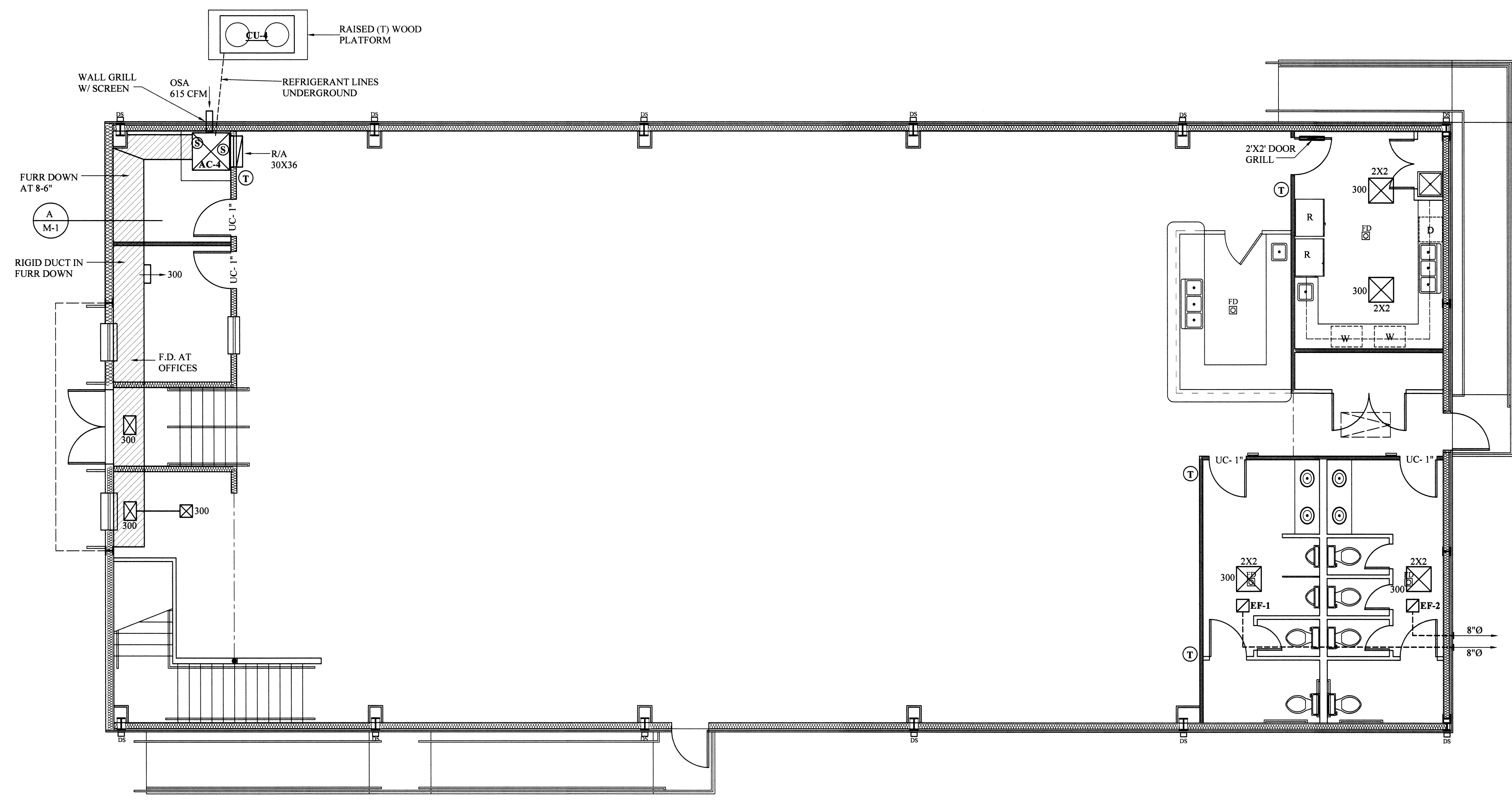


REVISIONS	BY

**ADDITION TO ZULU SOCIAL AID
AND PLEASURE CLUB
732 NORTH BOARD STREET
NEW ORLEANS, LA 70119**

**JOSEPH F. SCHNEIDER JR., AIA
ARCHITECT**
105 EVANGELINE DRIVE, SLIDEL, LOUISIANA 70460
(985) 847-0714
jfsarchitect@charter.net

DRAWN
H. SCHNEIDER
CHECKED
DATE
11-09-2013
SCALE
JOB NO.
SHEET
M-1
OF SHEETS



FLOOR PLAN- HVAC PLAN

SCALE: 3/16" = 1'-0"

M-1

THESE DESIGN AND CONSTRUCTION DOCUMENTS AT THE SOLE PROPERTY OF JOSEPH F. SCHNEIDER, JR. AIA, ARCHITECT. NO USE OR REPRODUCTION OF THESE DOCUMENTS OR PARTIAL USE OR PARTIAL REPRODUCTION IS ALLOWED. NO USE OF THESE DRAWINGS WITHOUT THE WRITTEN EXPRESSED PERMISSION OF JOSEPH F. SCHNEIDER, JR. ARCHITECT IS ALLOWED.