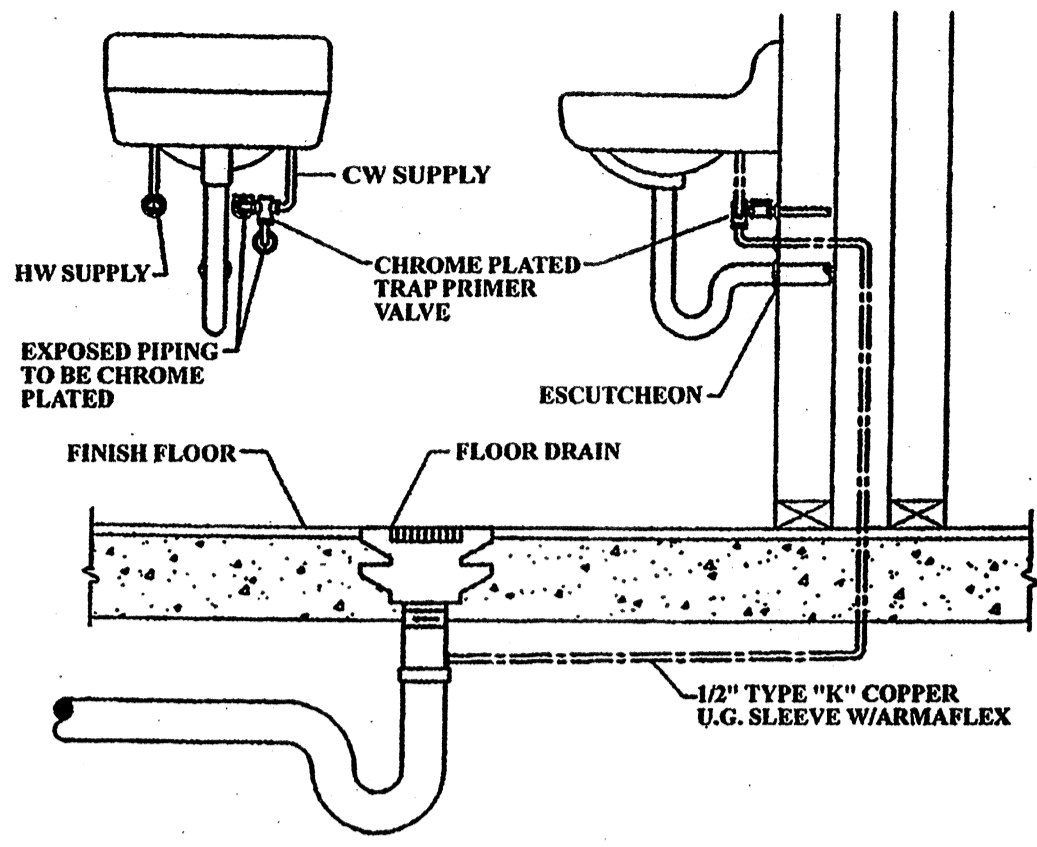
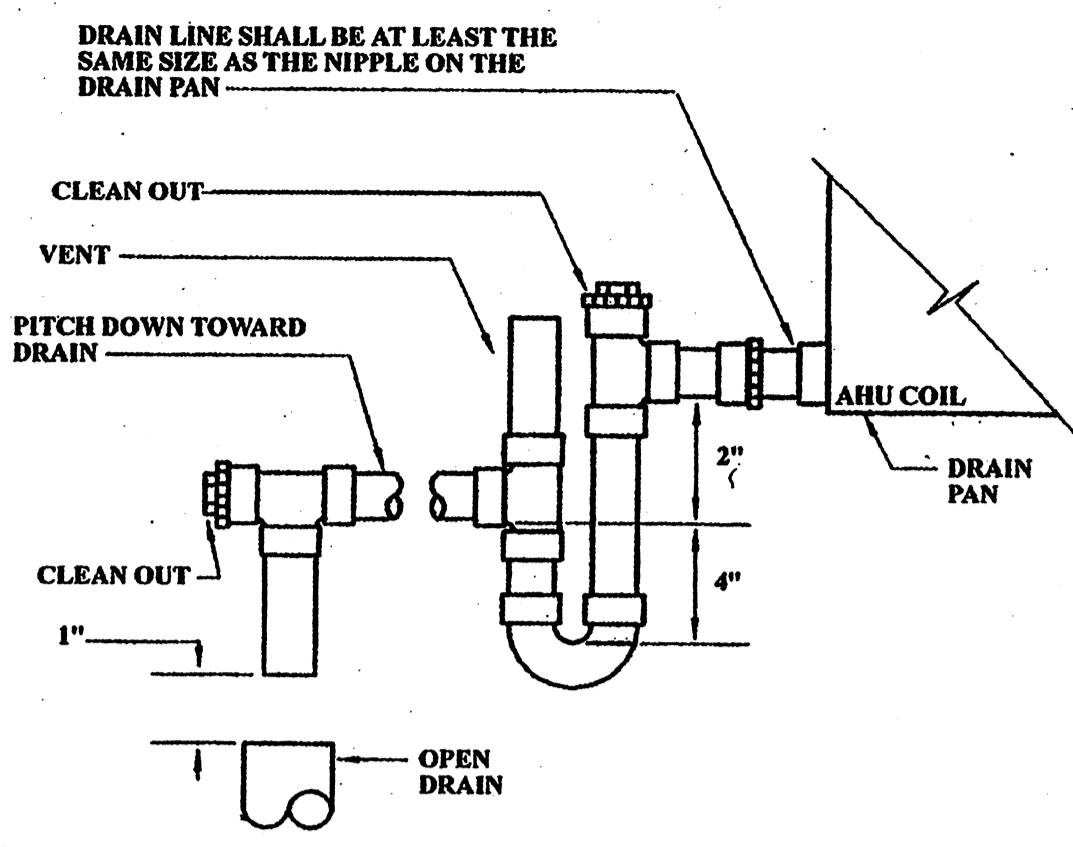


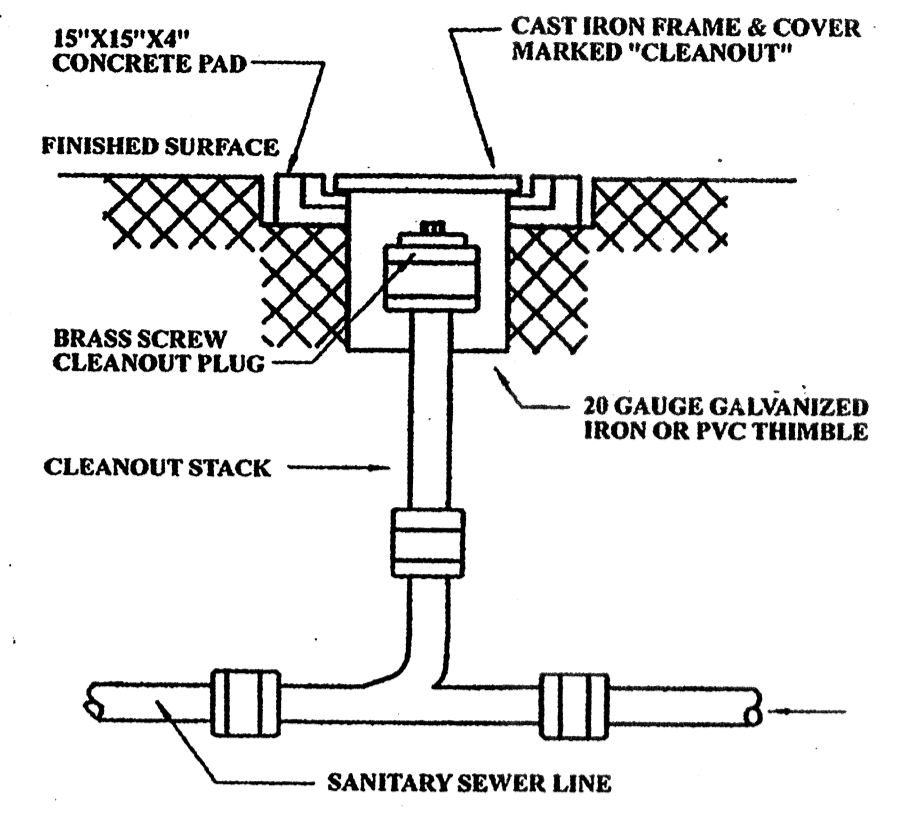
SEWER LINE SUPPORT DETAIL



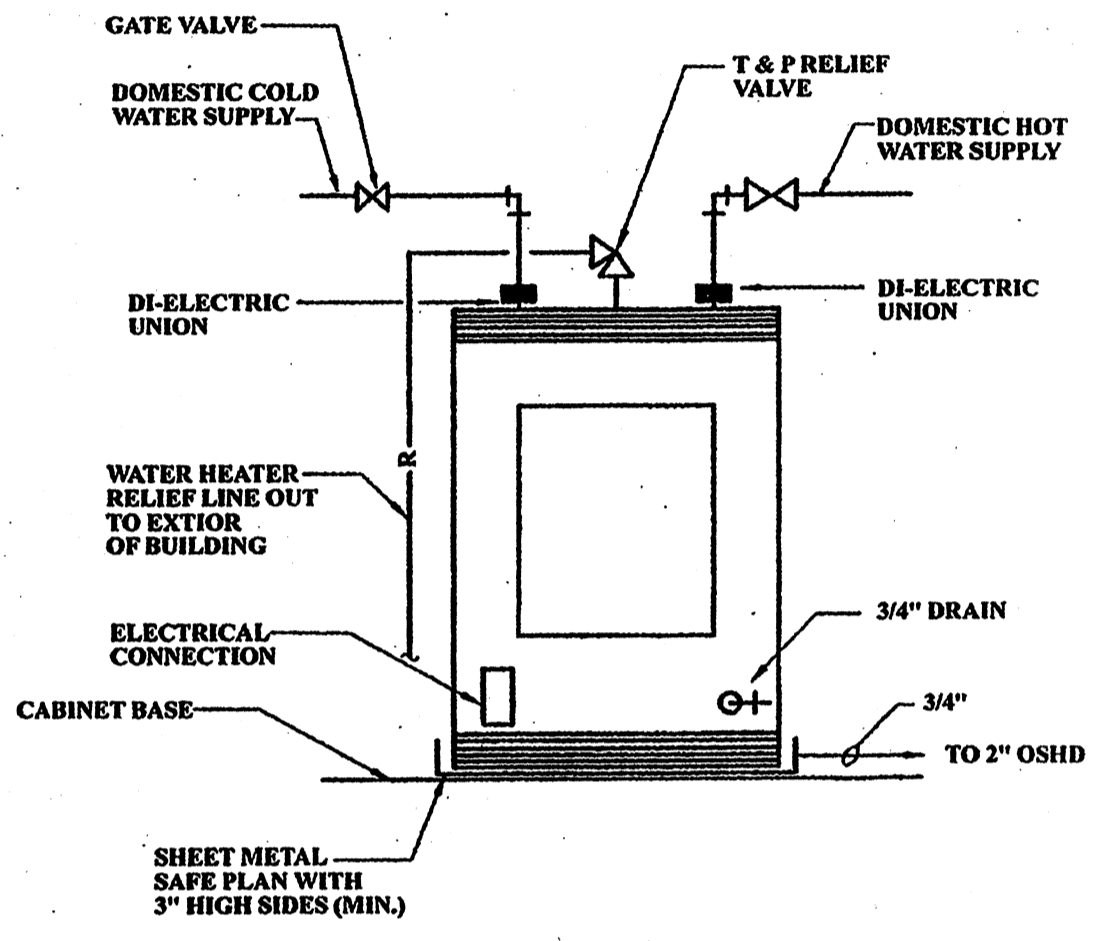
TRAP PRIMER INSTALLATION DETAIL



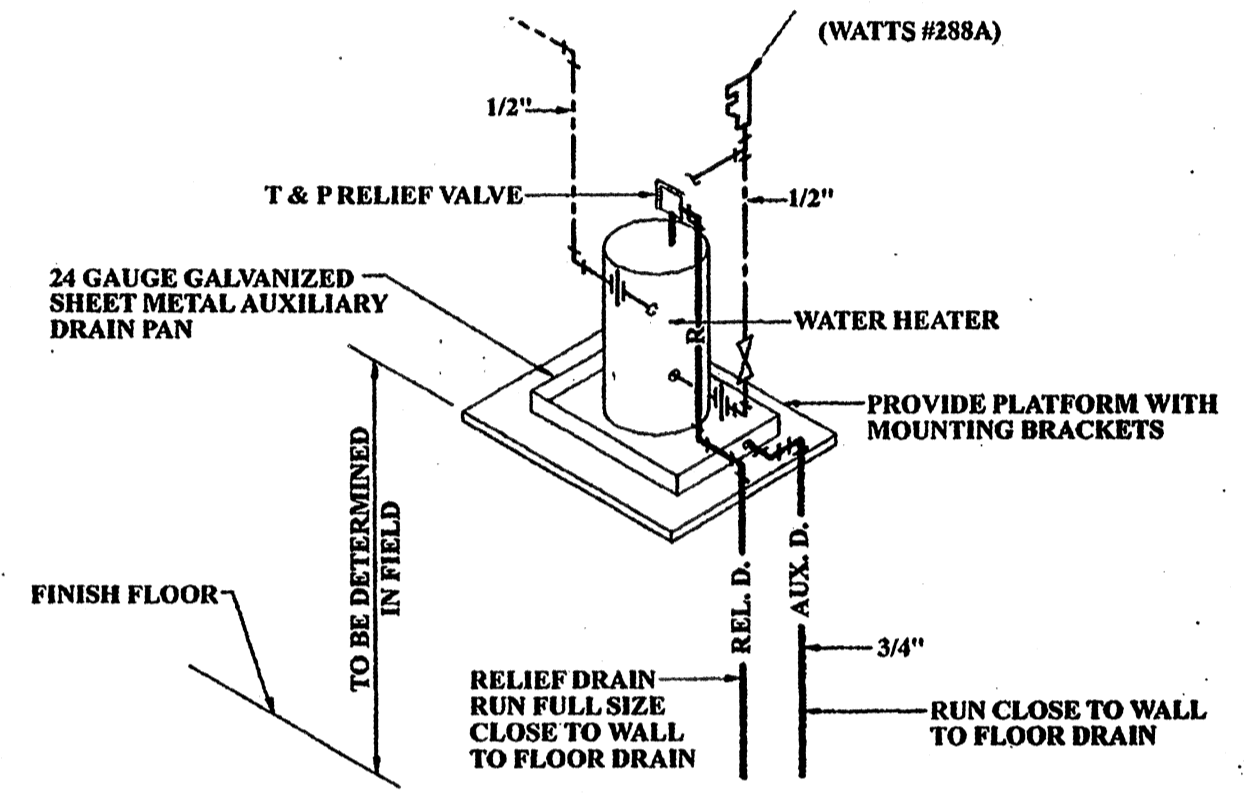
AIR HANDLING UNIT DRAIN TRAP



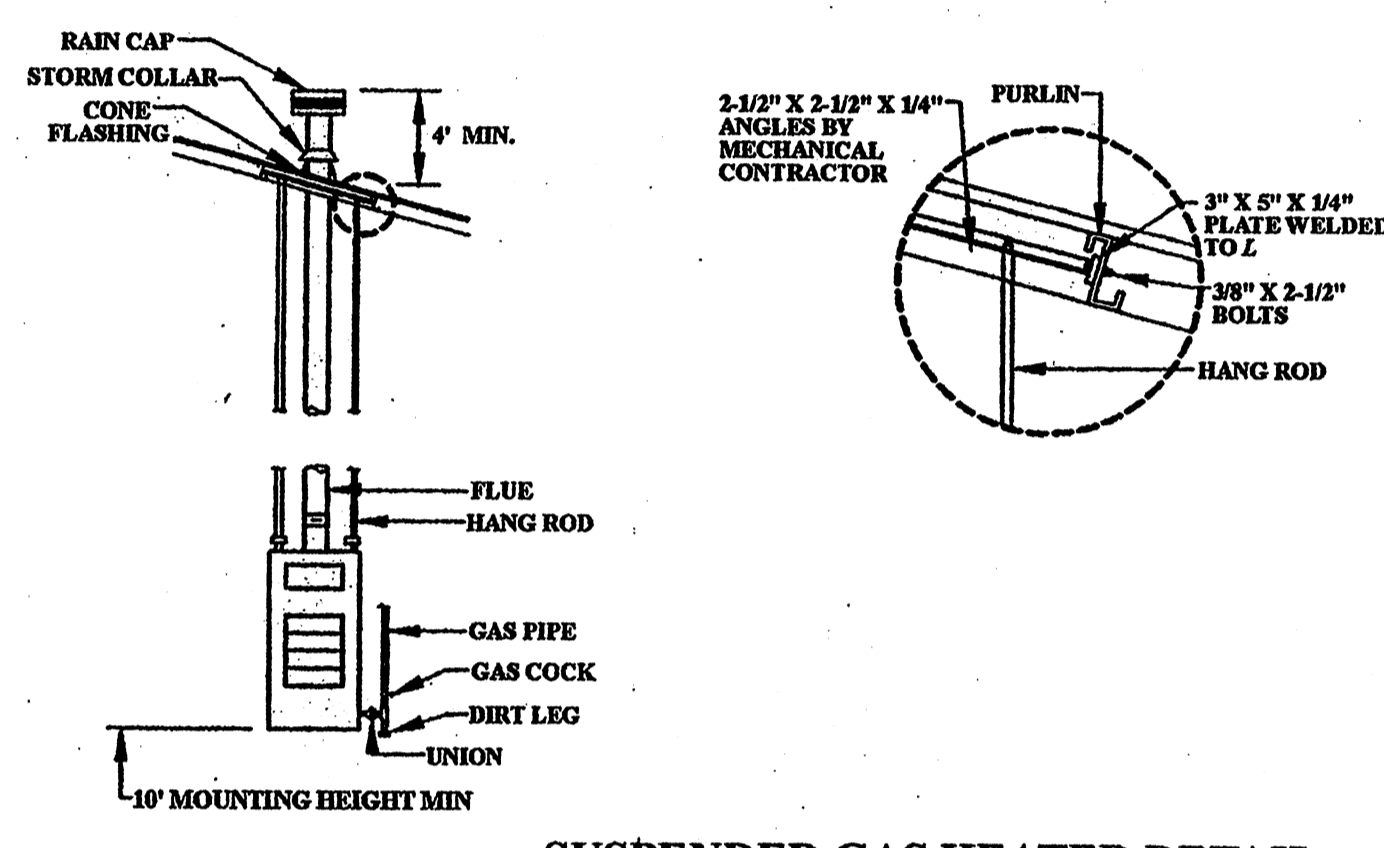
OUTSIDE C.O. DETAIL



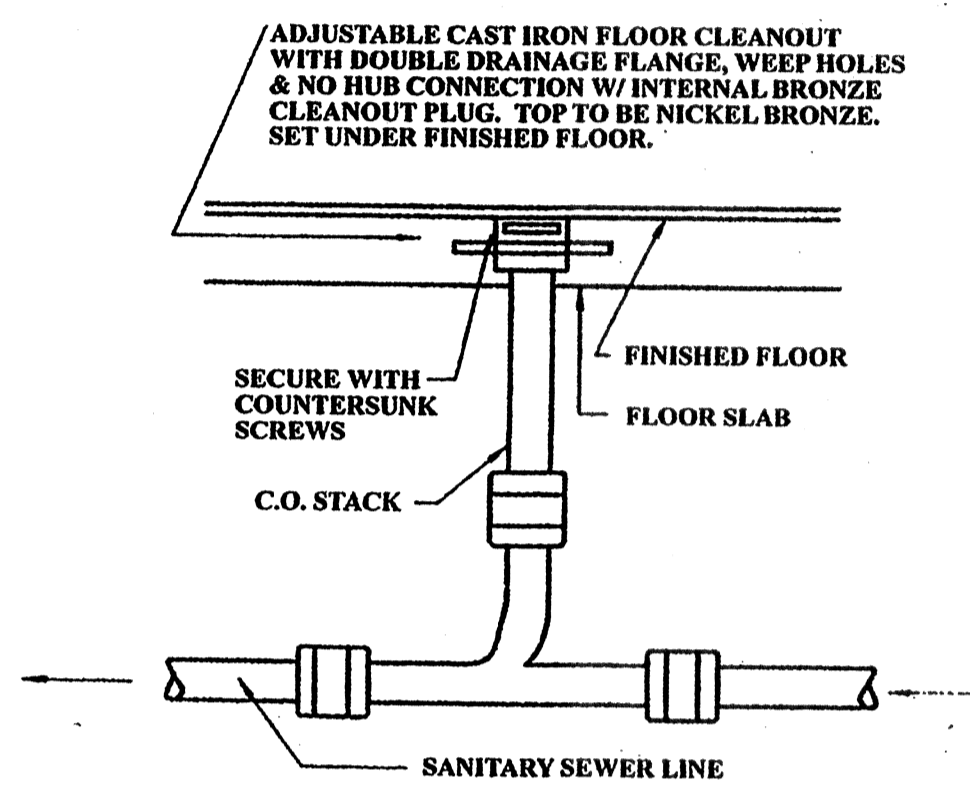
TYPICAL ELECTRIC W/H DETAIL



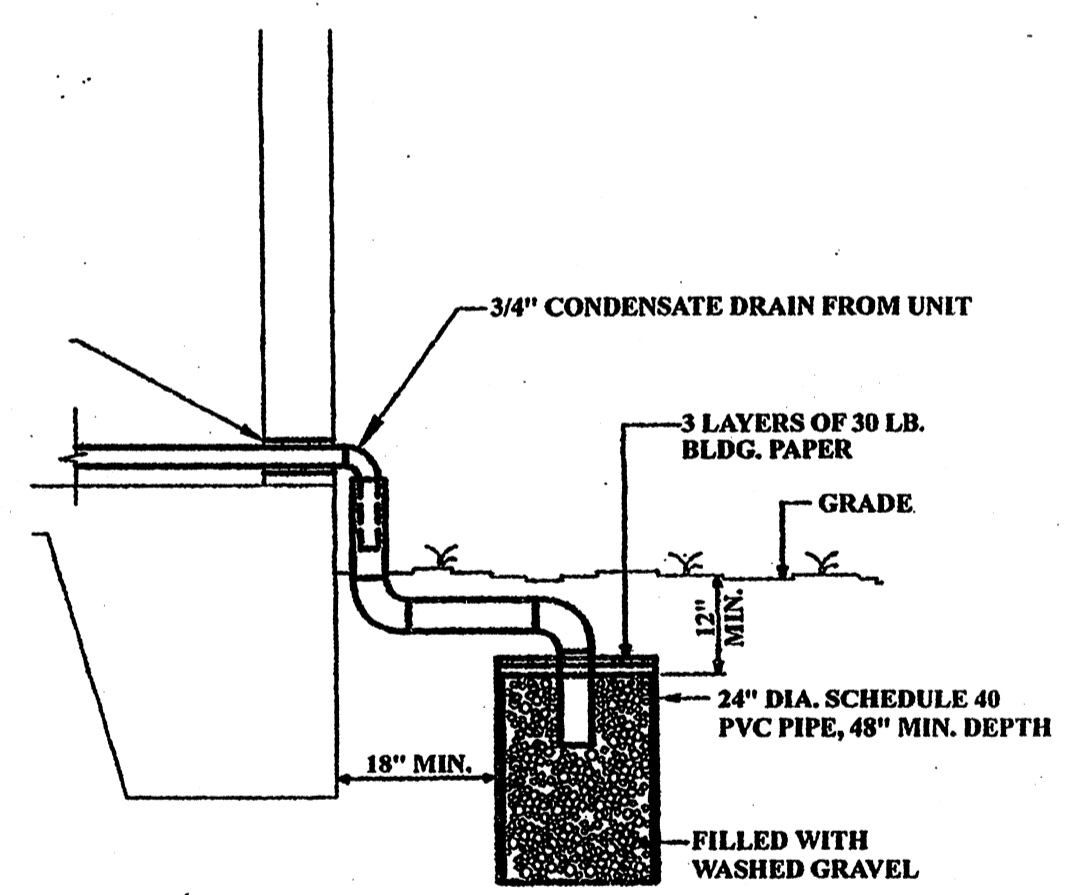
SHELF MOUNTED WATER HEATER DETAIL



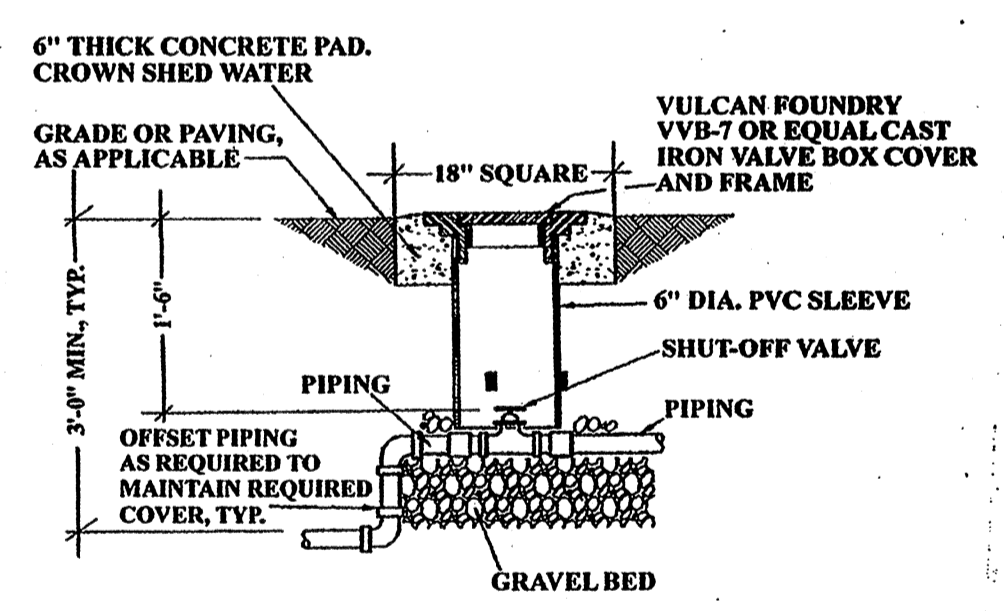
SUSPENDED GAS HEATER DETAIL



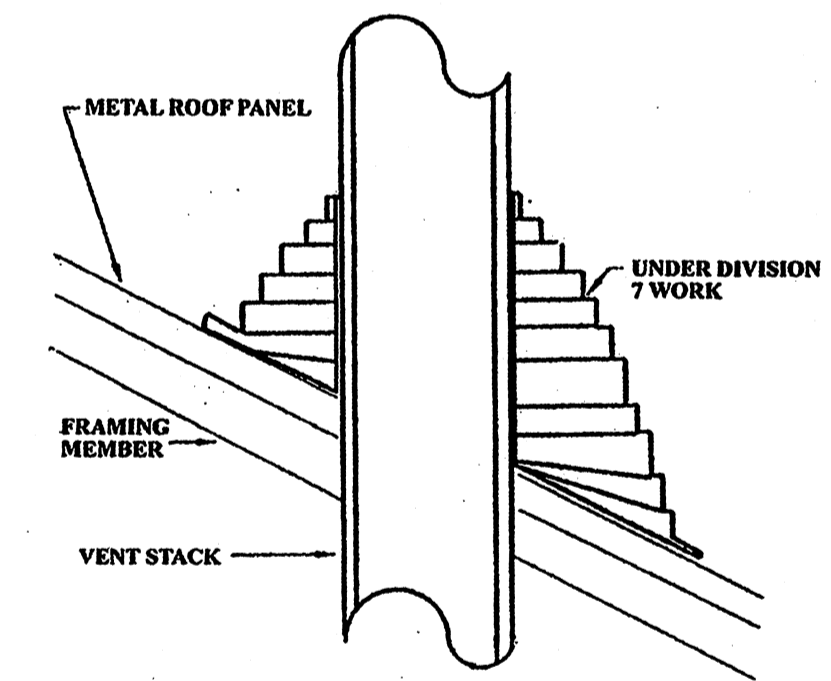
INSIDE C.O. DETAIL



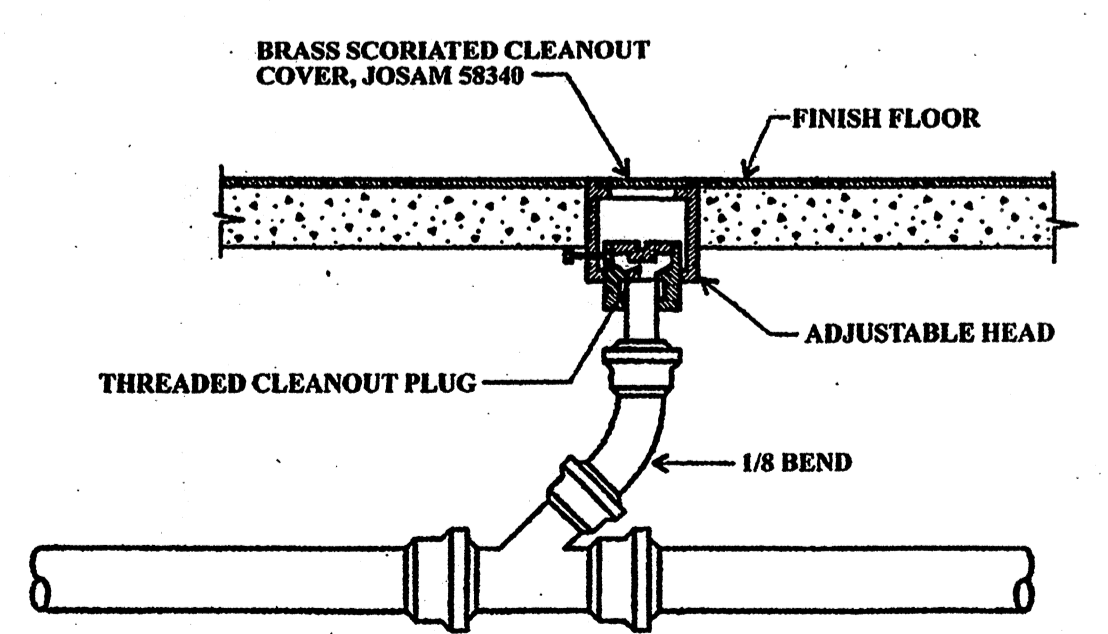
CONDENSATE SHELL DRAIN DETAIL



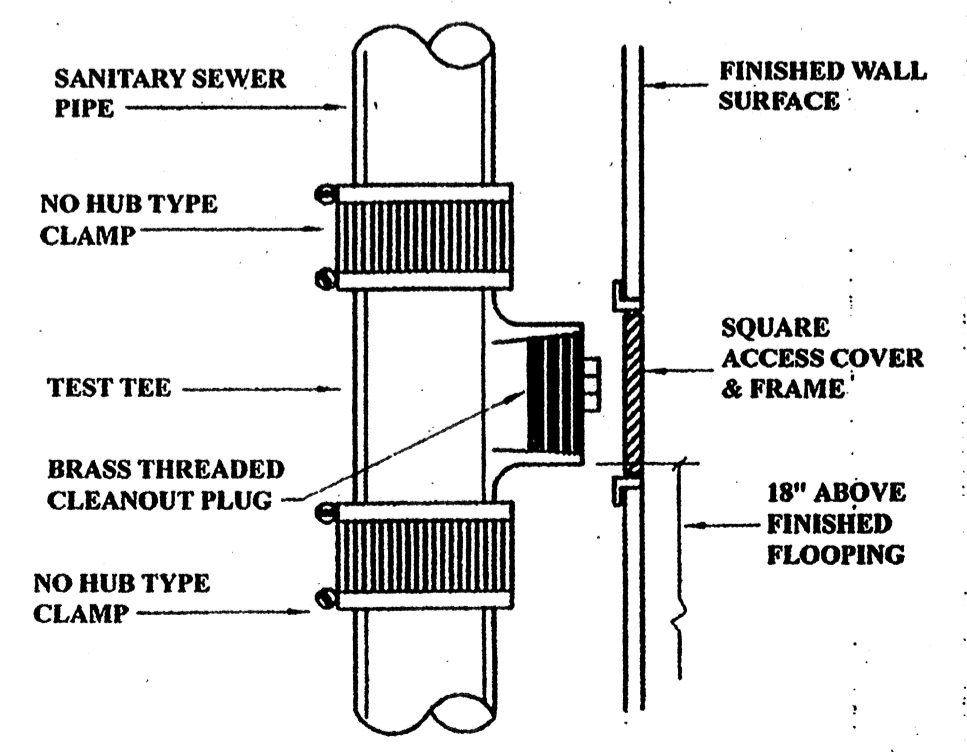
DOMESTIC CW VALVE BOX DETAIL



VENT FLASHING DETAIL



FINISH FLOOR CLEANOUT DETAIL



WALL CLEANOUT DETAIL

FIXTURE CONNECTION SCHEDULE								
MARK	DESCRIPTION	TRAP SIZE	WASTE	VENT	COLD WATER	HOT WATER	MAX. FLOW GPM	REMARKS
	WATER CLOSET	INTEGRAL	4"	2"	1"	-	-	WALL HUNG-FLUSH VALVE
	WATER CLOSET		4"	2"	1"	-	-	HANDICAP
	LAVATORY *	1 1/4" x 1 1/2"	2"	1 1/2"	1/2"	1/2"	-	WALL HUNG-HANDICAP
	LAVATORY *	1 1/4" x 1 1/2"	2"	1 1/2"	1/2"	1/2"	-	WALL HUNG
	SINK *	1 1/4" x 1 1/2"	2"	1 1/2"	1/2"	1/2"	-	STAINLESS STEEL
	SERVICE SINK *	3"	3"	1 1/2"	1/2"	1/2"	-	FLOOR MOUNTED
	E.W.C.	1 1/4" x 1 1/2"	2"	1 1/2"	1/2"	-	-	HANDICAP
	URINAL	INTEGRAL	2"	1 1/2"	3/4"	-	-	WALL HUNG-HANDICAP
	WATER CLOSET	INTEGRAL	4"	2"	3/8"	-	-	TANK-TYPE, ELONG.
WH	WATER HYDRANT	-	-	-	3/4"	-	-	FREEZEPROOF W/VACUUM BREAKER
FD	FLOOR DRAIN	-	-	-	1/2"	-	-	SEE FLOOR PLAN FOR SIZES
WHA	WATER HAMMER ARRESTOR	-	-	-	1"	-	-	SEE FLOOR PLAN FOR SIZES

* INSTALL TRUEBRO INC. "HANDI LAV-GUARD" ON PIPING BENEATH LAVATORIES AND SINKS.

REVISIONS	BY

TYPICAL PLUMBING DETAILS

JOSEPH F. SCHNEIDER, JR. AIA
architect
105 Evangeline Drive Slidell, Louisiana 70460 (985) 847-0714

DRAWN SCHNEIDER
CHECKED
DATE MAY 18, 86
SCALE AS SHOWN
JOB NO. 1682
SHEET
ME-2
OF SHEETS