

# TECHNICAL SPECIFICATIONS



Company Name: [Requestor's Company]  
Address: [Requestor's Address]  
City, State, Zip code:  
Phone: [Requestor's Phone]  
Fax: [Requestor's Fax]  
Email: [Requestor's Email]  
Web Site: [Requestor's Web Site]

## **Product Guide Specifications Mastercast™ Engineered Composites**

### **DIVISION 06 61 13 Engineered Composites Fabrications**

#### **PART 1 GENERAL**

##### **1.1 SECTION INCLUDES**

###### **A. Mastercast™ Engineered Composites:**

1. Stand Alone Tubs
2. Decked Bathtubs
3. Shower Bases
4. Shower Base Thresholds
5. Tub & Shower Wall Panels
6. Accessories
- 7.
- 8.

##### **1.2 RELATED SECTIONS**

- A. Section 04410 – Cultured Marble
- B. Section 06 61 13 – Cultured Marble Fabrication
- C. Section 06 20 00 - Finish Carpentry
- D. Section 06 41 00 - Architectural Wood Casework
- E. Section 10 28 16 - Bath Accessories
- F. Section 12 30 00 - Casework

- G. Section 12 36 00 – Countertops
- H. Section 22 40 00 – Plumbing fixtures
- I. Section 22 41 16 – Residential Lavatories and Sinks
- J. Section 22 41 19 – Residential Bathtubs
- K. Section 22 41 23 – Residential Showers

### 1.3 REFERENCES

- A. ANSI Z 124.3 - Plastic Lavatories.
- B. ASTM E 84 - Standard Test Method for Surface Burning Characteristics of Building Materials.

### 1.4 SUBMITTALS

- A. Comply with Section 01 33 00 - Submittal Procedures.
- B. Product Data: Submit manufacturer's product data including installation instructions.
- C. Shop Drawings: Submit manufacturer's shop drawings, including plans, elevations, sections, and details indicating dimensions, sizes, installation details, attachment provisions, and coordination requirements with adjacent work.
- D. Samples: Submit manufacturer's 4-inch by 4-inch samples of engineered marble for each color specified, showing material thickness and finish. Indicate full range of colors and patterns.
- E. Manufacturer's Certification: Submit manufacturer's certification that materials comply with specified requirements and are suitable for intended application.
- F. Maintenance Data: Submit manufacturer's care and maintenance recommendations, including recommended repair and cleaning instructions.
- G. Warranty: Submit manufacturer's standard commercial warranty.

### 1.5 QUALITY ASSURANCE

- A. Manufacturer Qualifications:
  - 1. Sufficient plant facilities to provide quality, quantities, shapes, and sizes of engineered marble units required without delaying progress of the Work.

2. Minimum of 20 years experience in producing engineered composite products.
- B. Installer Qualifications: Experienced installer who has demonstrated successful installation of engineered marble or cast polymer products similar to that specified.

#### 1.6 DELIVERY, STORAGE, AND HANDLING

- A. Delivery: Deliver materials to site in manufacturer's original, unopened containers and packaging, with labels clearly identifying product name, manufacturer, and individual unit number.
- B. Storage: Store materials flat in clean, dry area indoors in accordance with manufacturer's instructions.
- C. Handling: Protect materials and finish from damage during handling and installation in accordance with manufacturer's instructions.

#### 1.7 SCHEDULING

- A. Schedule and deliver engineered composite units when ready for installation.

### PART 2 PRODUCTS

#### A.1.1 MANUFACTURER

- A. Company Name: [ Company], Address: [ Address], City, State, Zip code: [ City, State, Zip code], Phone: [ Phone], Fax:[ Fax], Email: [ Email], Web Site: [ Web Site]

#### 2.2 ENGINEERED COMPOSITE

- A. Material: Engineered **[marble]** [onyx] [granite].
- B. Compliance:
  1. ANSI Z 124.3.
  2. **[ASTM E 84]** [ASTM E 84, Class I].
- C. Performance Requirements: ANSI Z 124.3.
  1. Color Fastness: No changes, 200 hours.
  2. Wear and Cleaning: Passes.
  3. Impact Resistance: No cracks or chips.
  4. Stain Resistance: Passes.
  5. Chemical Resistance: Passes.
  6. Drain Fitting Connection: Passes.

7. Loads on Lavatory Tops: Passes.
  8. Thermal Shock Resistance: Passes.
  9. Cigarette Burn Test: Passes.
- D. Fabrication:
1. Mix clean aggregate filler with polyester resin to create a matrix.
  2. Add colorants to matrix in a manner to provide veining to mimic appearance of natural marble products.
  3. Pour material into molds behind gel coat
  4. Allow to fully cure to a solid material.
  5. Coat finished engineered marble units with protective wax.
  6. Provide consistent color throughout depth of material, not just the surface.
- E. Gel Coat Thickness: 25 mils average.
- F. Minimum Thickness: Blocks, plugs, or other devices placed in molds to reduce specified thickness of load bearing surface(s) are not allowed.

### 2.3 BATHROOM VANITIES

- A. Description: 1-piece vanity top with integral bowls and backsplash.
- B. Minimum Thickness: 3/4 inch throughout vanity top deck and bowl.
- C. Vanity Tops:
1. Depth: [19 inches] [22 inches] [ 25 inches] [As indicated on the drawings].
  2. Length: [25 inches] [31 inches] [37 inches] [43 inches] [49 inches] [61 inches] [ 73 inches] [As indicated on the drawings].
- D. Bowls:
1. Type: [Single] [Double] [Triple] [ \_\_\_\_\_ ].
  2. Style: [Redondo] [Malibu] [Catalina] [Monterey] [Laguna] [Lanikai] [Waikiki] [Super Bowl I] [Savannah] [ \_\_\_\_\_ ].
  3. Size: \_\_\_\_\_ .
  4. Offset: [Right] [Left] [Center].
  5. Overflow Drain: 1/2-inch OD PVC overflow hose permanently installed in integral overflow drain.
  6. Faucet Holes: Fit [single] [4-inch] [8-inch] faucet fixtures. Drill holes for plumbing fixtures in shop.
- E. Backsplashes: 4-inch high rear [integral] [separate] backsplash.
- F. Edges: [Flat deck] [3/4-inch bull nose] [Beveled] [Ogee] [ \_\_\_\_\_ ].

G. Color: \_\_\_\_\_.

H. Finish: Uniform [gloss] [matte] finish.

#### 2.4 SHOWER BASES

A. Size: [ \_\_\_\_\_ inches by \_\_\_\_\_ inches] [As indicated on the drawings].

B. Thickness: 3/4 inch minimum.

C. Color: \_\_\_\_\_ .

D. Finish: Molded with textured nonslip finish.

#### 2.5 SHOWER THRESHOLDS

A. Width: [ \_\_\_\_\_ inches] [As indicated on the drawings].

B. Color: \_\_\_\_\_ .

#### 2.6 SHOWER SEATS

A. Size: 18 inches by 18 inches [As indicated on the drawings].

B. Color: \_\_\_\_\_ .

C. Finish: Molded with textured nonslip finish.

#### 2.7 TUB AND SHOWER WALL PANELS

A. Size: [ \_\_\_\_\_ inches by \_\_\_\_\_ inches] [As indicated on the drawings].

B. Thickness: [3/8 inch] [3/4 inch].

C. Color: \_\_\_\_\_ .

D. Accessories:

1. Panel Adhesive: Clear or color-matched 100 percent silicone panel adhesive.

2. Sealant: Clear or color-matched 100 percent silicone sealant.

#### 2.8 WHIRLPOOL TUB DECKS

A. Size: [ \_\_\_\_\_ inches by \_\_\_\_\_ inches] [As indicated on the drawings].

- B. Thickness: 3/4 inch.
- C. Edges: [Bull nose] [Beveled] [ \_\_\_\_\_ ].
- D. Color: \_\_\_\_\_ .

#### 2.9 FLOORING THRESHOLDS

- A. Width: [4 inches] [5 inches] [6 inches].
- B. Thickness: 3/4 inch.
- C. Color: \_\_\_\_\_ .

#### 2.10 WINDOW SILLS AND TRIM/CASINGS

- A. Size: [ \_\_\_\_\_ inches by \_\_\_\_\_ inches] [As indicated on the drawings].
- B. Thickness: 3/4 inch.
- C. Edges: [3/4-inch bull nose with end returns] [ \_\_\_\_\_ ].
- D. Color: \_\_\_\_\_ .

#### 2.11 CABINET APRONS AND SKIRTS

- A. Size: [ \_\_\_\_\_ inches by \_\_\_\_\_ inches] [As indicated on the drawings].
- B. Thickness: [3/8 inch] [3/4 inch].
- C. Color: \_\_\_\_\_ .

#### 2.12 COUNTERTOPS

- A. Size: [ \_\_\_\_\_ inches by \_\_\_\_\_ inches] [As indicated on the drawings].
- B. Thickness: \_\_\_\_\_ inch.
- C. Edges: \_\_\_\_\_ .
- D. Color: \_\_\_\_\_ .

#### 2.13 BAR TOPS

- A. Size: [ \_\_\_\_\_ inches by \_\_\_\_\_ inches] [As indicated on the drawings].

B. Thickness: \_\_\_\_\_ inch.

C. Edges: \_\_\_\_\_ .

D. Color: \_\_\_\_\_ .

#### 2.14 BATHROOM ACCESSORIES

A. Type: \_\_\_\_\_ .

B. Color: \_\_\_\_\_ .

### PART 3 EXECUTION

#### 3.1 EXAMINATION

A. Examine surfaces to receive engineered marble units. Notify Architect if surfaces are not acceptable. Do not begin installation until unacceptable conditions have been corrected.

B. Examine engineered composite units before installation. Do not install unacceptable units.

#### 3.2 INSTALLATION

A. Install engineered composite units in accordance with manufacturer's instructions.

B. Install engineered composite units level, plumb, square, and in proper alignment.

C. Make field cuts as necessary from unfinished bottom side in accordance with manufacturer's instructions.

D. Form field joints using manufacturer's recommended adhesive.

E. Fasten vanity tops to cabinets using 100 percent silicone-based adhesive.

F. Attach separate backsplashes and side splashes to vanity tops in accordance with manufacturer's instructions.

G. Do not excessively tighten faucet fixtures or sink drains on bathroom vanities. Hand tighten sink drains in accordance with manufacturer's instructions.

H. Do not allow hot water temperature over 140 degrees F to come into contact with engineered composite units.

I. Repair nicks, scratches, and other minor damages to finish in accordance with

manufacturer's instructions and as approved by Architect.

J. Remove and replace damaged units that cannot be successfully repaired as determined by Architect.

### 3.3 CLEANING

A. Clean and polish engineered composite units promptly after installation in accordance with manufacturer's instructions.

B. Do not use abrasive or harsh cleaning materials or methods that would damage finish.

C. Protect Finish from damage until job completion using plastic wrap, cardboard or a soft cloth.

### 3.4 PROTECTION

A. Protect installed engineered composite units from damage for duration of project.

END OF SECTION

06 61 13 Engineered Composite/Marble Fabrications



*\*\*All products made of cultured marble, also known as MasterCast Engineered Composites, Cast Stone, Stone Resin, Resine de Pierre or Marbre de Synthese (French), Mineral Guss (German), Polybeton (Dutch)\*\**

## ***T & L Five Year Warranty***

Tyrrell and Laing International Inc. hereby warrants this bathtub, basin, vanity, or shower tray to be free of any defects, in materials or craftsmanship, for normal human bathing use for a period of 5 years from the date of purchase.

This warranty is issued subject to the terms and conditions contained herein:

Tyrrell and Laing International will, at its election, repair or replace a defective product. In no event shall the seller's liability under this warranty exceed the cost of the repair or replacement, or the purchase price of the product, whichever is the lesser, as determined by the seller. This warranty is issued to the original purchaser and not to any transferee.

The above warranty shall not apply to damages caused by installation, maintenance or cleaning performed other than in strict accordance with instructions.

Gloss reduction, scratching or staining of the finish overtime due to use or water or atmospheric conditions are part of normal wear and tear, and do not indicate defects. Use of any strong chemicals to clean this product will void the warranty.

This warranty does not cover any damages incurred due to installation error, product neglect, misuse or abuse, accident or negligence, whether caused by the purchaser, or contractor, or service provider, or any other cause whatsoever beyond the control and responsibility of Tyrrell and Laing International Inc.



*\*\*All products made of cultured marble, also known as MasterCast Engineered Composites, Cast Stone, Stone Resin, Resine de Pierre or Marbre de Synthese (French), Mineral Guss (German), Polybeton (Dutch)\*\**

## **Cleaning and Care Instructions**

At T & L International, Inc. we pride ourselves in the quality of our products, so we strongly recommend that you use the services of a qualified installer.

In accordance with our Warranty, we do not accept responsibility for any defect or shortcoming in the installation of a T & L Bathtub.

We do not accept responsibility for any incorrect installation.

### **Suggestions:**

Routine cleaning with a soft sponge or cloth and non-abrasive household cleaner is all that is needed to give many years of trouble free service to your Composite Stone products. We recommend cleaning agents in the form of multi-purpose spray or liquid variety common in the household cleaning section of most stores.

The use of hard abrasives may cause scratching, discoloration and dullness to the surface of Composite Stone.

Please do not hesitate to call or e-mail us if you have any questions. We hope that you enjoy many happy hours in your T and L Composite Stone Bathtub.

FREE STANDING  
LUXURY BATHS  
SPECIFICATIONS





**BATHTUBS**

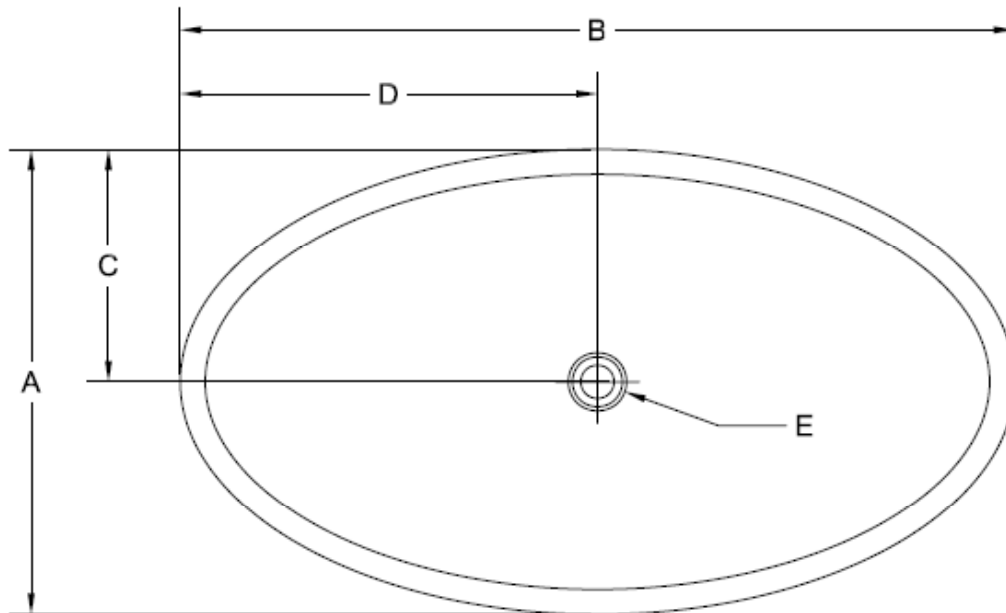
LAST REVISED: 8/9/2010

**TECHNICAL SPECIFICATIONS**

CSI Division 06600; 06610; 224223

*\*\*All products made of cultured marble, also known as MasterCast Engineered Composites, Cast Stone, Stone Resin, Resine de Pierre or Marbre de Synthèse (French), Mineral Guss (German), Polybeton (Dutch)\*\**

## Summary of Free Standing Tub Products



Free Standing Tub Details						
<i>**all tubs have a 1/4" per ft drain slope**</i>						
Description	Bathtub Size (in, cm)		Drain Location & Diameter (in, cm)			Est. Weight
	A	B	C	D	E (diameter)	
Adoni	38" (96.5cm)	65" (165cm)	19" (48.3cm)	32" (81.5cm)	3 1/8" (8cm)	352.7 lbs (160 kg)
Eco	30" (76.2cm)	66" (167.6cm)	15" (38.1cm)	33" (83.8cm)	3 1/8" (8cm)	308.6 lbs (140 kg)
Imperia	45 1/4" (115cm)	76" (193.5cm)	12 5/8" (57.4cm)	38" (96.5cm)	3 1/8" (8cm)	392.4 lbs (178 kg)
Isis	37" (93.5cm)	65 3/4" (167cm)	18 1/2" (47cm)	33" (83.5cm)	3 1/8" (8cm)	308.6 lbs (140 kg)
Oceanus	39" (99.5cm)	69 1/4" (176cm)	19 1/2" (49.5cm)	33 1/4" (84.5cm)	3 1/8" (8cm)	392.4 lbs (178 kg)
Petit	34 3/4" (88.5cm)	60" (152.5cm)	17 3/8" (44.1cm)	30" (76.2cm)	3 1/8" (8cm)	308.6 lbs (140 kg)
Maren	31 3/4" (81cm)	64" (163cm)	15 3/8" (40.5cm)	3" (7.5cm)	3 1/8" (8cm)	176.4 lbs (80 kg)



**BATHTUBS**

LAST REVISED: 8/9/2010

**TECHNICAL SPECIFICATIONS**

CSI Division 06600; 06610; 224223

*\*\*All products made of cultured marble, also known as MasterCast Engineered Composites, Cast Stone, Stone Resin, Resine de Pierre or Marbre de Synthese (French), Mineral Guss (German), Polybeton (Dutch)\*\**



## Adoni Free Standing Tub

**Est. Weight:** 352.7 lbs (160 kg)

**Est. Water Capacity:** 47.6 gal (180 litres)

**USES:**

Std tub with deck:	NO
Undermount:	YES
Drop-in:	YES
Free standing:	YES

**Included Features:**

Solid one-piece construction

Pre-sloped to drain

Mold and mildew resistant

Bacteria resistant

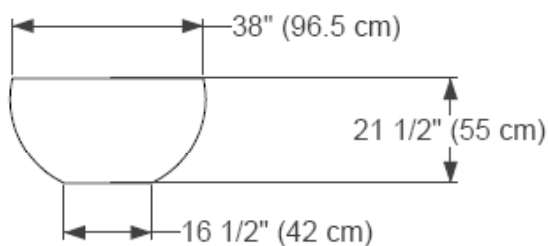
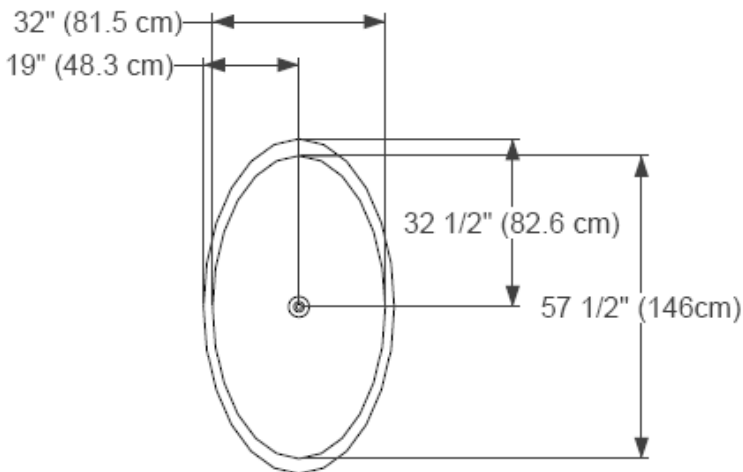
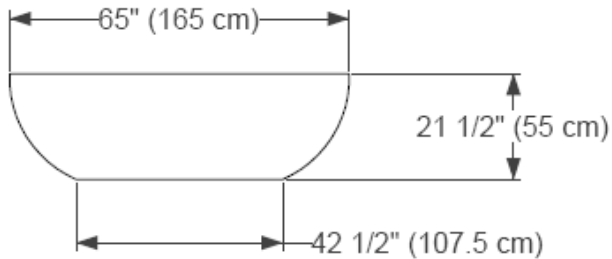
Non-porous

Stain resistant and easy to clean

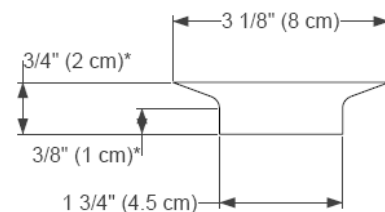
Waterproof and leakproof

Slip resistant base

*Our products comply with one or more of the following: IAPMO, ANSI, HUD, NAHB, NHQ*



**Drain Details:**



*\* dimensions may vary slightly*



**BATHTUBS**

LAST REVISED: 8/9/2010

**TECHNICAL SPECIFICATIONS**

CSI Division 06600; 06610; 224223

*\*\*All products made of cultured marble, also known as MasterCast Engineered Composites, Cast Stone, Stone Resin, Resine de Pierre or Marbre de Synthese (French), Mineral Guss (German), Polybeton (Dutch)\*\**



**Eco Free Standing Tub**

**Est. Weight:** 308.6 lbs (140 kg)

**Est. Water Capacity:** 63.4 gal (240 litres)

**USES:**

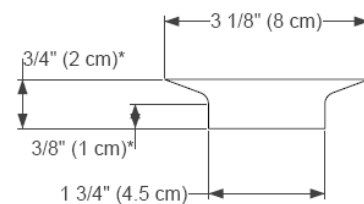
Std tub with deck:	NO
Undermount:	NO
Drop-in:	NO
Free standing:	YES

**Included Features:**

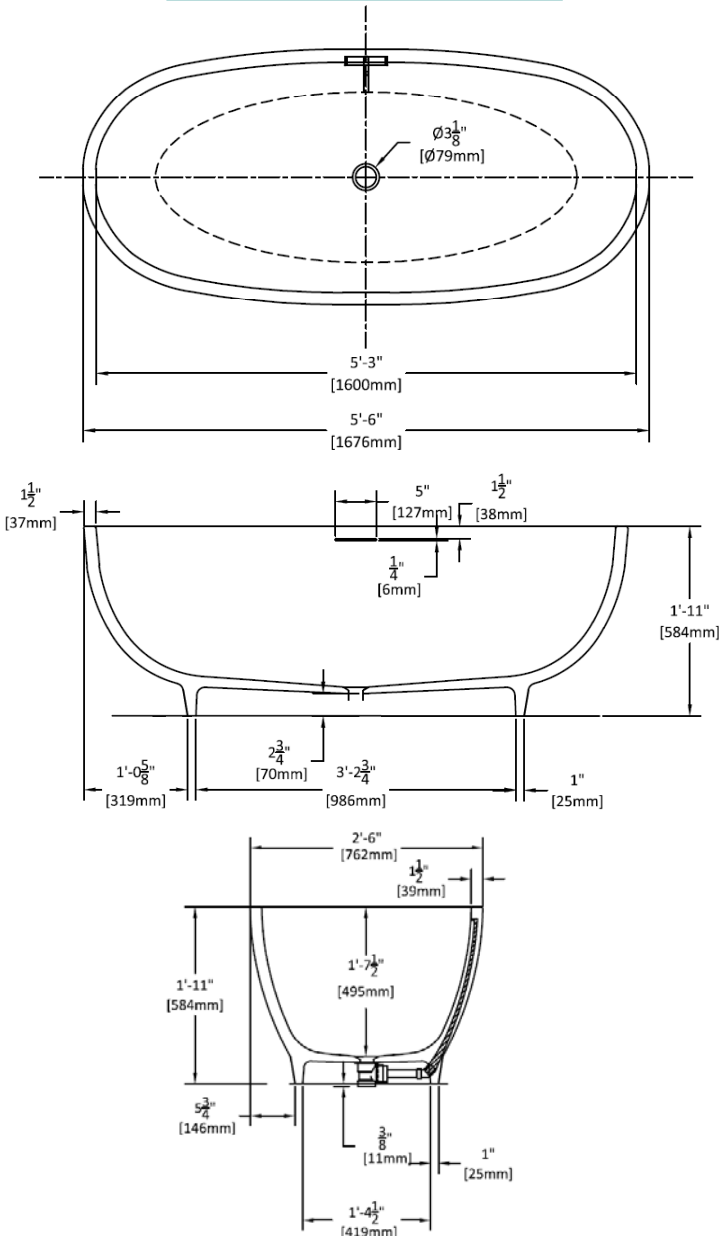
- Fire retardant
- Solid one-piece construction
- Pre-sloped to drain
- Mold and mildew resistant
- Bacteria resistant
- Non-porous
- Stain resistant and easy to clean
- Waterproof and leakproof
- Slip resistant base

*Our products comply with one or more of the following: IAPMO, ANSI, HUD, NAHB, NHQ*

**Drain Details:**



*\* dimensions may vary slightly*





**BATHTUBS**

**TECHNICAL SPECIFICATIONS**

CSI Division 06600; 06610; 224223

*\*\*All products made of cultured marble, also known as MasterCast Engineered Composites, Cast Stone, Stone Resin, Resine de Pierre or Marbre de Synthese (French), Mineral Guss (German), Polybeton (Dutch)\*\**



## Imperia Free Standing Tub

**Est. Weight:** 392.4 lbs (178 kg)

**Est. Water Capacity:** 79.3 gal (300 litres)

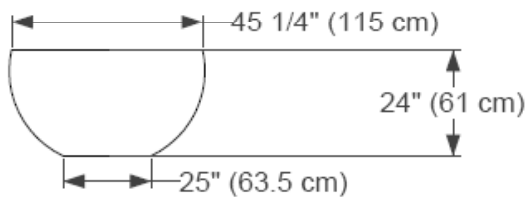
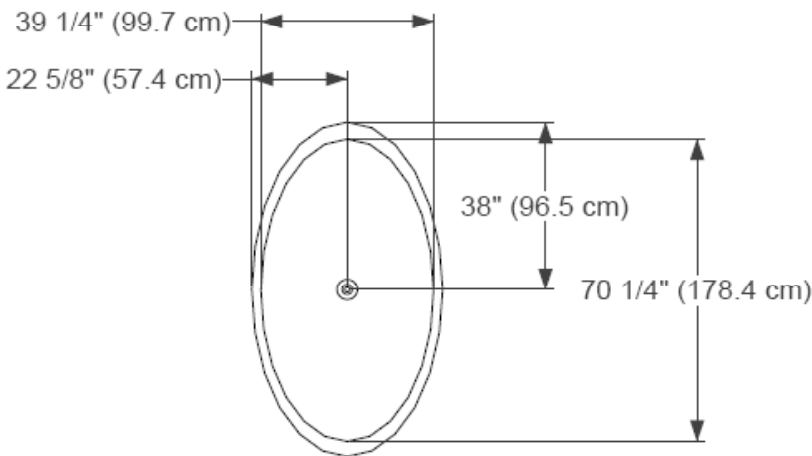
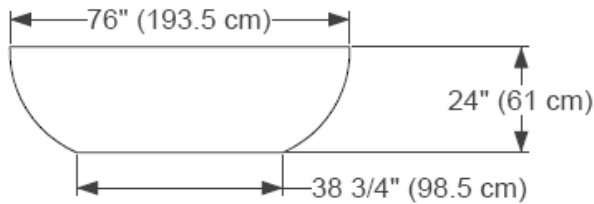
**USES:**

Std tub with deck:	NO
Undermount:	YES
Drop-in:	YES
Free standing:	YES

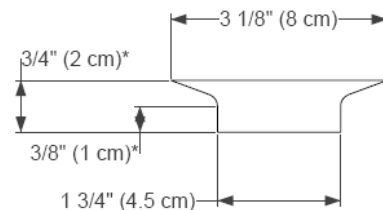
**Included Features:**

- Solid one-piece construction
- Pre-sloped to drain
- Mold and mildew resistant
- Bacteria resistant
- Non-porous
- Stain resistant and easy to clean
- Waterproof and leakproof
- Slip resistant base

*Our products comply with one or more of the following: IAPMO, ANSI, HUD, NAHB, NHQ*



**Drain Details:**



*\* dimensions may vary slightly*



**BATHTUBS**

LAST REVISED: 8/9/2010

**TECHNICAL SPECIFICATIONS**

CSI Division 06600; 06610; 224223

*\*\*All products made of cultured marble, also known as MasterCast Engineered Composites, Cast Stone, Stone Resin, Resine de Pierre or Marbre de Synthese (French), Mineral Guss (German), Polybeton (Dutch)\*\**



## Isis Free Standing Tub

**Est. Weight:** 308.6 lbs (140 kg)

**Est. Water Capacity:** 63.4 gal (240 litres)

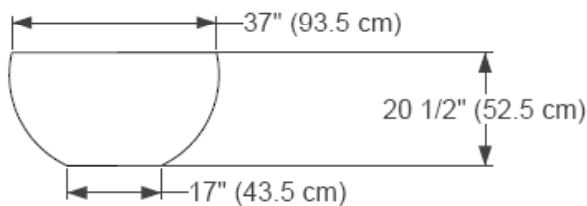
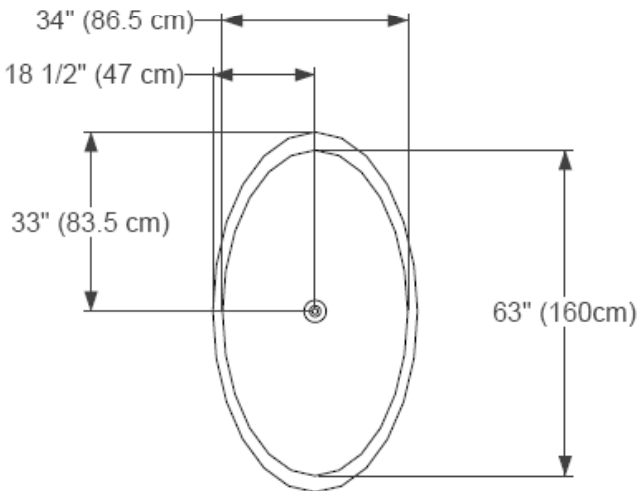
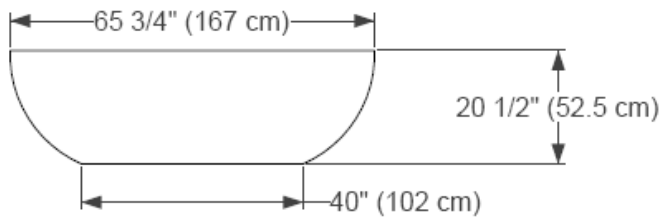
**USES:**

Std tub with deck:	NO
Undermount:	NO
Drop-in:	NO
Free standing:	YES

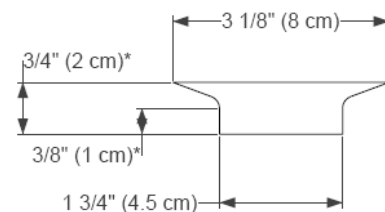
**Included Features:**

- Solid one-piece construction
- Pre-sloped to drain
- Mold and mildew resistant
- Bacteria resistant
- Non-porous
- Stain resistant and easy to clean
- Waterproof and leakproof
- Slip resistant base

*Our products comply with one or more of the following: IAPMO, ANSI, HUD, NAHB, NHQ*



**Drain Details:**



*\* dimensions may vary slightly*



**BATHTUBS**

LAST REVISED: 8/9/2010

**TECHNICAL SPECIFICATIONS**

CSI Division 06600; 06610; 224223

*\*\*All products made of cultured marble, also known as MasterCast Engineered Composites, Cast Stone, Stone Resin, Resine de Pierre or Marbre de Synthese (French), Mineral Guss (German), Polybeton (Dutch)\*\**



## Oceanus Free Standing Tub

**Est. Weight:** 342 lbs (155 kg)

**Est. Water Capacity:** 66 gal (250 litres)

**USES:**

Std tub with deck:	NO
Undermount:	YES
Drop-in:	YES
Free standing:	YES

**Included Features:**

Solid one-piece construction

Pre-sloped to drain

Mold and mildew resistant

Bacteria resistant

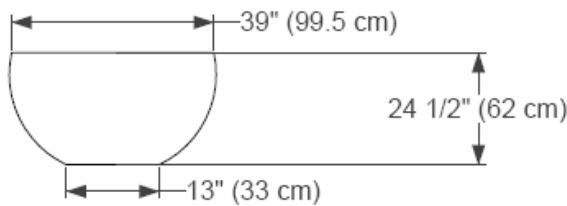
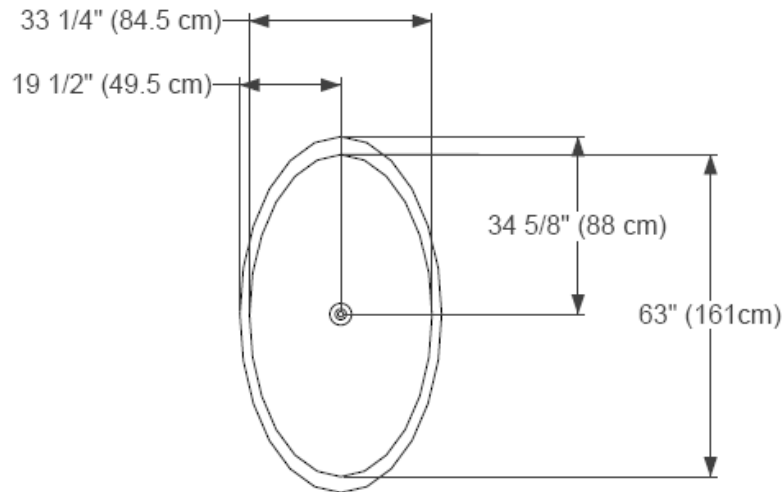
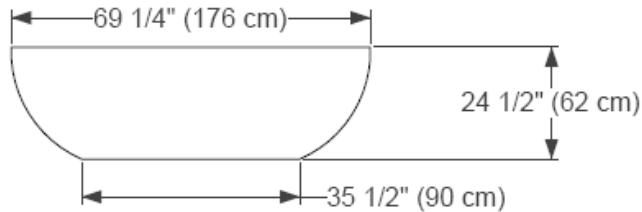
Non-porous

Stain resistant and easy to clean

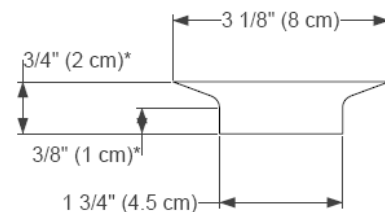
Waterproof and leakproof

Slip resistant base

*Our products comply with one or more of the following: IAPMO, ANSI, HUD, NAHB, NHQ*



**Drain Details:**



*\* dimensions may vary slightly*



**BATHTUBS**

LAST REVISED: 8/9/2010

**TECHNICAL SPECIFICATIONS**

CSI Division 06600; 06610; 224223

*\*\*All products made of cultured marble, also known as MasterCast Engineered Composites, Cast Stone, Stone Resin, Resine de Pierre or Marbre de Synthese (French), Mineral Guss (German), Polybeton (Dutch)\*\**



## Petit Free Standing Tub

**Est. Weight:** 308.6 lbs (140 kg)

**Est. Water Capacity:** 63.4 gal (240 litres)

**USES:**

Std tub with deck:	NO
Undermount:	NO
Drop-in:	NO
Free standing:	YES

**Included Features:**

Solid one-piece construction

Pre-sloped to drain

Mold and mildew resistant

Bacteria resistant

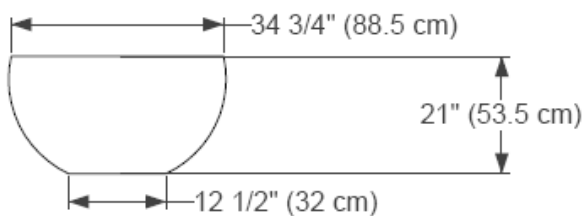
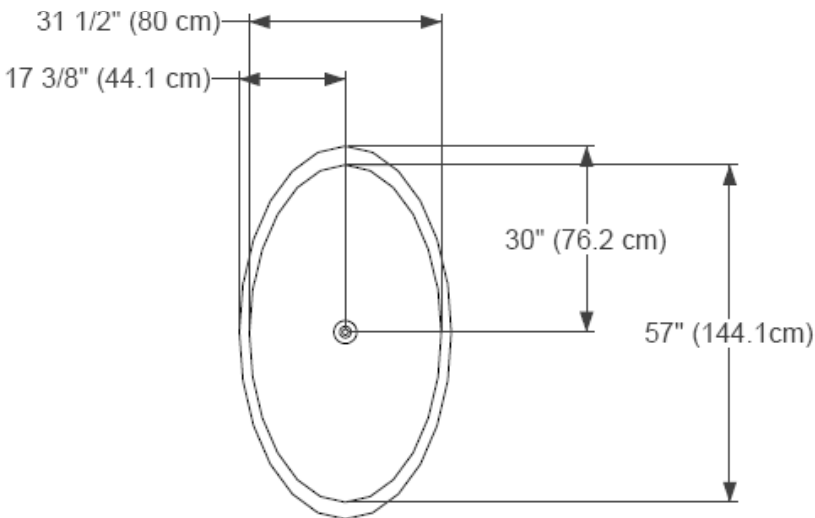
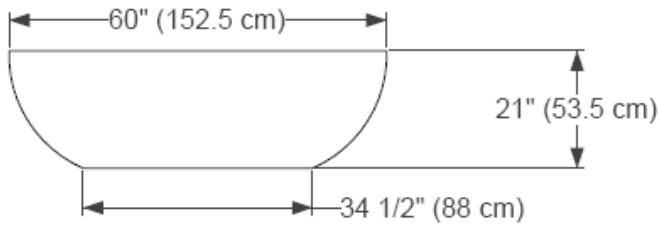
Non-porous

Stain resistant and easy to clean

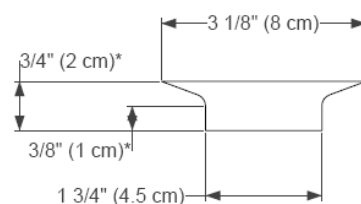
Waterproof and leakproof

Slip resistant base

*Our products comply with one or more of the following: IAPMO, ANSI, HUD, NAHB, NHQ*



**Drain Details:**



*\* dimensions may vary slightly*



**BATHTUBS**

LAST REVISED: 8/9/2010

**TECHNICAL SPECIFICATIONS**

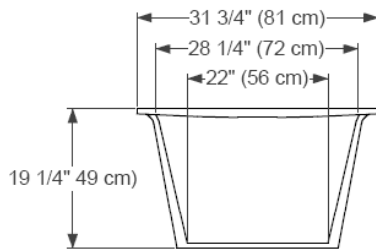
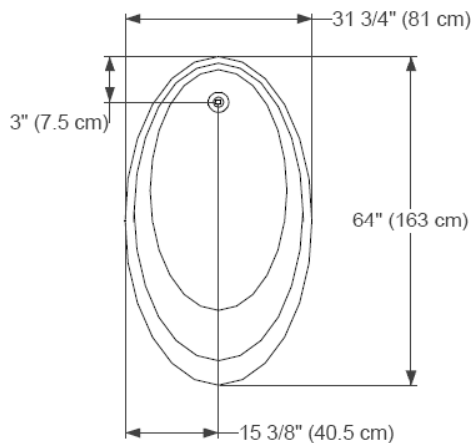
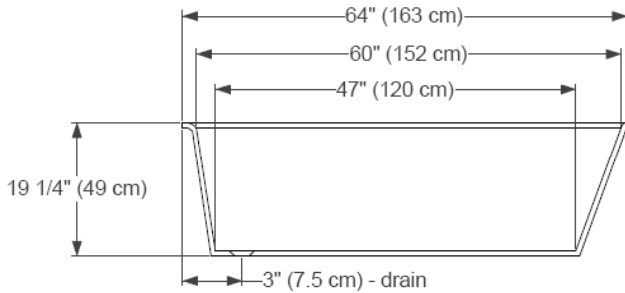
CSI Division 06600; 06610; 224223

**\*\*All products made of cultured marble, also known as MasterCast Engineered Composites, Cast Stone, Stone Resin, Resine de Pierre or Marbre de Synthese (French), Mineral Guss (German), Polybeton (Dutch)\*\***

## Maren Free Standing Tub

**Est. Weight:** 136 lbs (62 kg)

**Est. Water Capacity:** 68 gal (257.4 litres)



**USES:**

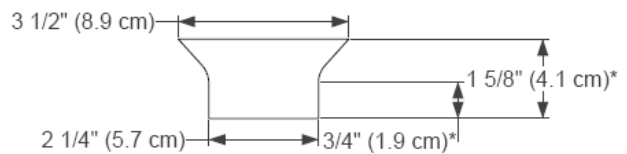
Std tub with deck:	NO
Undermount:	YES
Drop-in:	YES
Free standing:	YES

**Included Features:**

- Solid one-piece construction
- Pre-sloped to drain
- Mold and mildew resistant
- Bacteria resistant
- Non-porous
- Stain resistant and easy to clean
- Waterproof and leakproof
- Slip resistant base
- See separate installation instructions

*Our products comply with one or more of the following: IAPMO, ANSI, HUD, NAHB, NHQ*

**Drain Details (US):**



*\* dimensions may vary slightly*

LOW PROFILE  
SHOWER BASES  
SPECIFICATIONS





**SHOWER BASES**

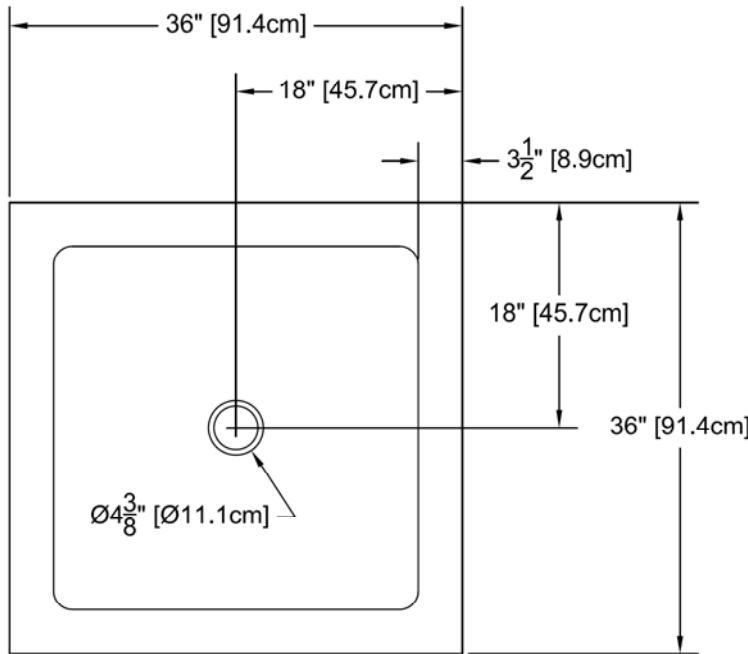
LAST REVISED: 6/2/2010

**TECHNICAL SPECIFICATIONS**

CSI Division 06600; 06610; 224223

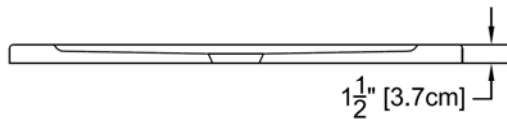
*\*\*All products made of cultured marble, also known as MasterCast Engineered Composites, Cast Stone, Stone Resin, Resine de Pierre or Marbre de Synthese (French), Mineral Guss (German), Polybeton (Dutch)\*\**

## 36" x 36" Low Profile Shower Base

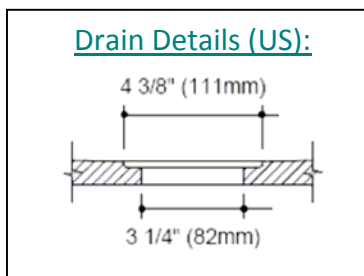


### Included Features:

- Solid one-piece construction
- Pre-leveled, rests on subfloor
- Mold and mildew resistant
- Bacteria resistant
- "Grout-free" and non-porous
- Stain resistant and easy to clean
- Waterproof and leakproof



*Our products comply with one or more of the following: IAPMO, ANSI, HUD, NAHB, NHQ*



### Recommended drains that will fit custom shower bases:



Solvent Weld type fitting similar to Oatey Part No. 42097



Compression type "No-Caulk" fitting similar to Oatey Part No. 42099





SHOWER BASES

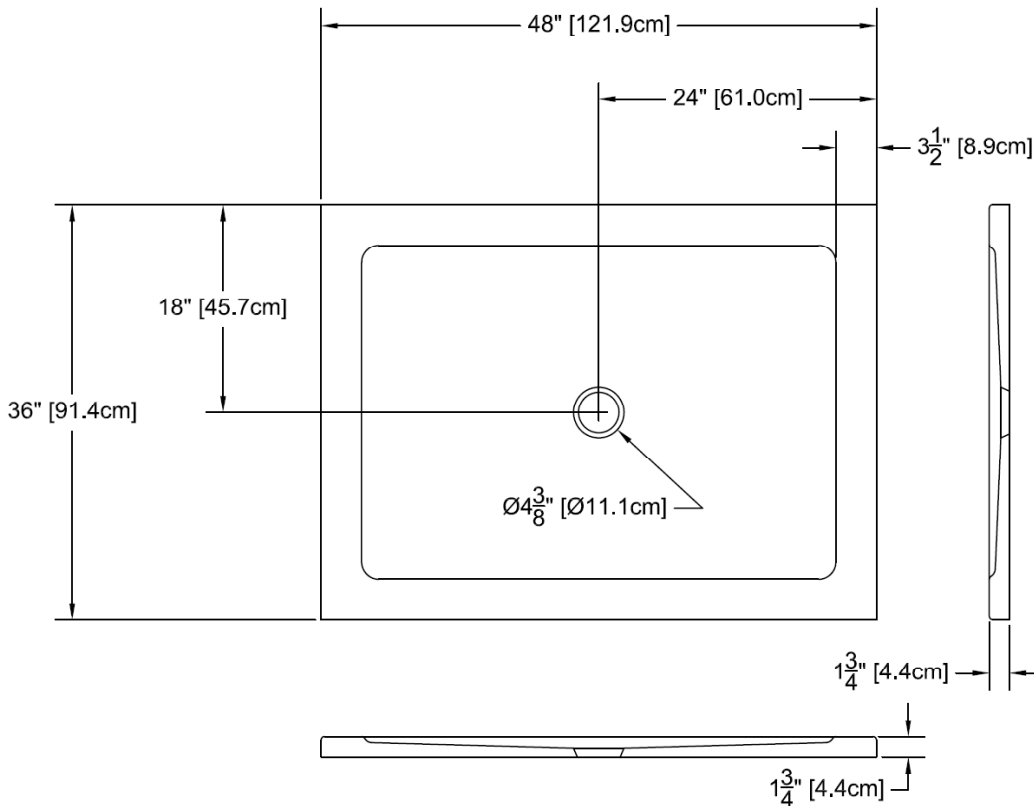
LAST REVISED: 6/2/2010

TECHNICAL SPECIFICATIONS

CSI Division 06600; 06610; 224223

\*\*All products made of cultured marble, also known as MasterCast Engineered Composites, Cast Stone, Stone Resin, Resine de Pierre or Marbre de Synthese (French), Mineral Guss (German), Polybeton (Dutch)\*\*

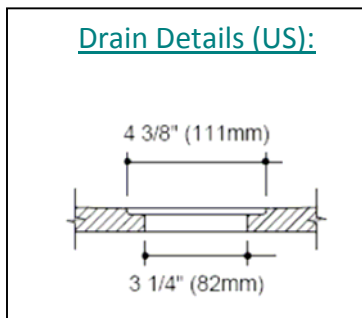
36" x 48" Low Profile Shower Base



Included Features:

- Solid one-piece construction
- Pre-leveled, rests on subfloor
- Mold and mildew resistant
- Bacteria resistant
- "Grout-free" and non-porous
- Stain resistant and easy to clean
- Waterproof and leakproof

Our products comply with one or more of the following: IAPMO, ANSI, HUD, NAHB, NHQ



Recommended drains that will fit custom shower bases:



Solvent Weld type fitting similar to Oatey Part No. 42097



Compression type "No-Caulk" fitting similar to Oatey Part No. 42099





**SHOWER BASES**

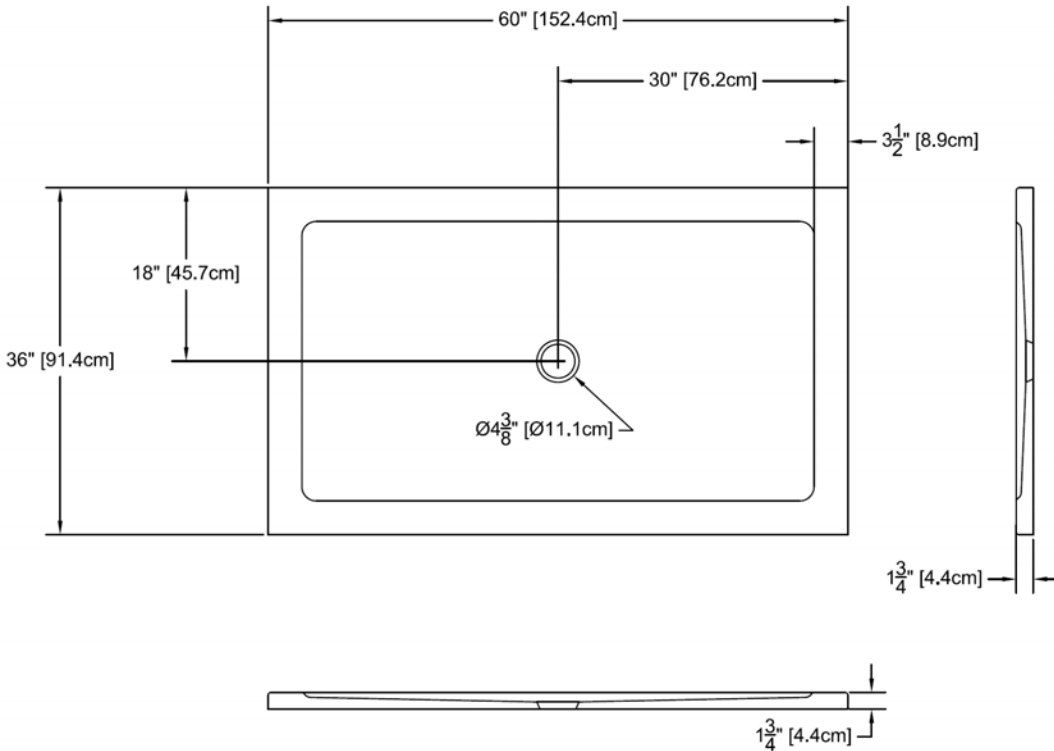
LAST REVISED: 6/2/2010

**TECHNICAL SPECIFICATIONS**

CSI Division 06600; 06610; 224223

**\*\*All products made of cultured marble, also known as MasterCast Engineered Composites, Cast Stone, Stone Resin, Resine de Pierre or Marbre de Synthese (French), Mineral Guss (German), Polybeton (Dutch)\*\***

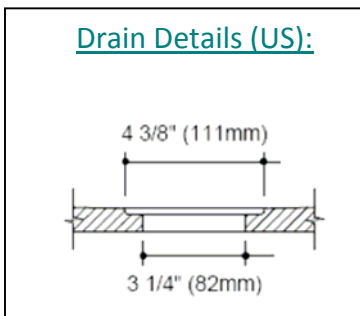
# 36" x 60" Low Profile Shower Base



**Included Features:**

- Solid one-piece construction
- Pre-leveled, rests on subfloor
- Mold and mildew resistant
- Bacteria resistant
- "Grout-free" and non-porous
- Stain resistant and easy to clean
- Waterproof and leakproof

Our products comply with one or more of the following: IAPMO, ANSI, HUD, NAHB, NHQ



**Recommended drains that will fit custom shower bases:**



Solvent Weld type fitting similar to Oatey Part No. 42097



Compression type "No-Caulk" fitting similar to Oatey Part No. 42099





**SHOWER BASES**

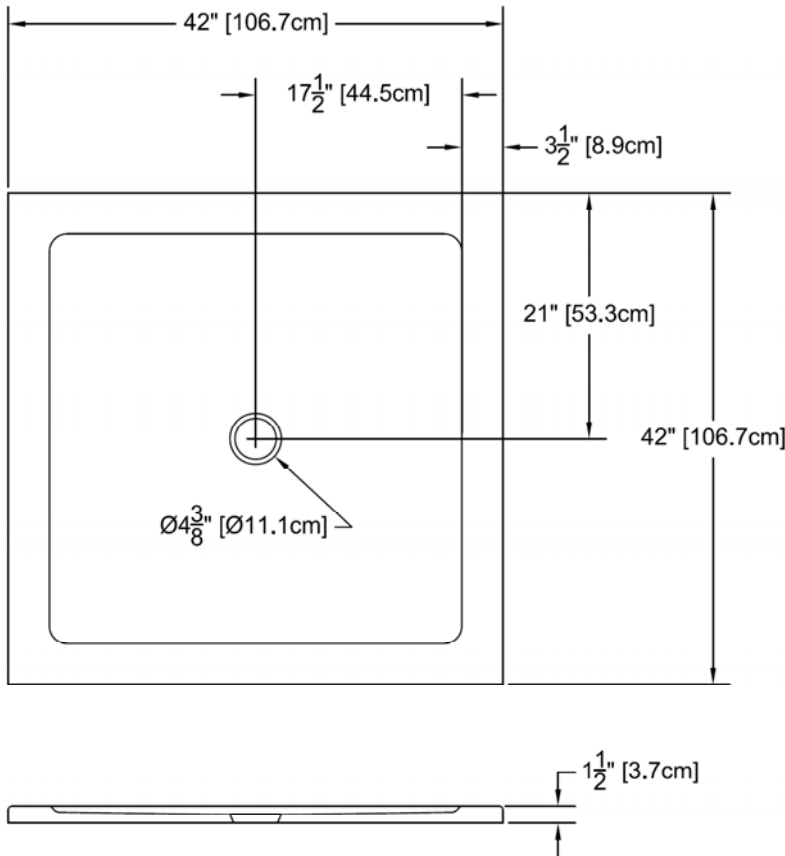
LAST REVISED: 6/2/2010

**TECHNICAL SPECIFICATIONS**

CSI Division 06600; 06610; 224223

*\*\*All products made of cultured marble, also known as MasterCast Engineered Composites, Cast Stone, Stone Resin, Resine de Pierre or Marbre de Synthese (French), Mineral Guss (German), Polybeton (Dutch)\*\**

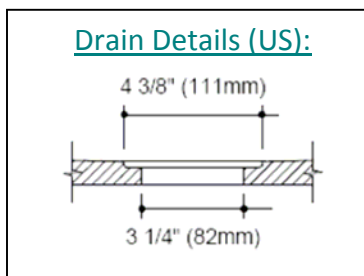
## 42" x 42" Low Profile Shower Base



**Included Features:**

- Solid one-piece construction
- Pre-leveled, rests on subfloor
- Mold and mildew resistant
- Bacteria resistant
- “Grout-free” and non-porous
- Stain resistant and easy to clean
- Waterproof and leakproof

*Our products comply with one or more of the following: IAPMO, ANSI, HUD, NAHB, NHQ*



**Recommended drains that will fit custom shower bases:**



Solvent Weld type fitting similar to Oatey Part No. 42097



Compression type “No-Caulk” fitting similar to Oatey Part No. 42099





**SHOWER BASES**

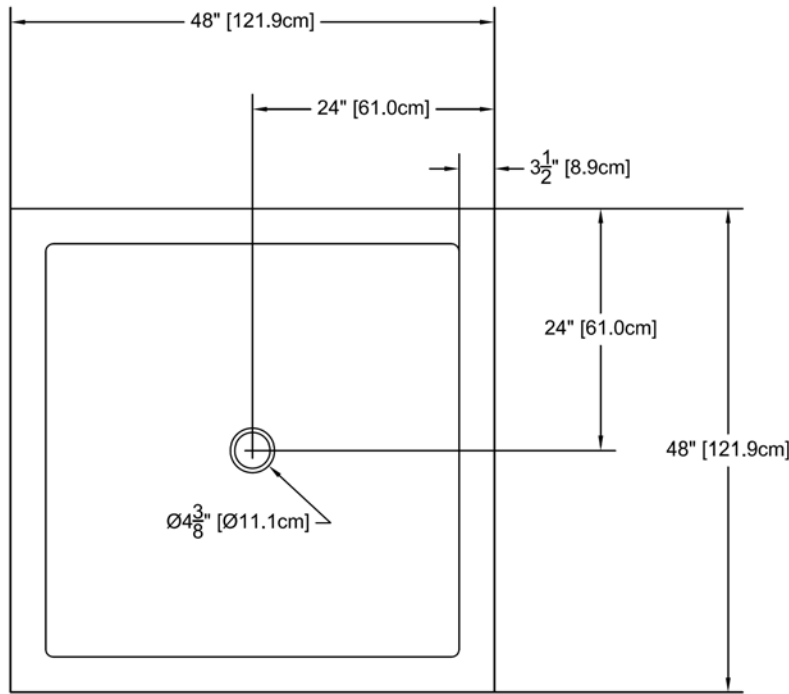
LAST REVISED: 6/2/2010

**TECHNICAL SPECIFICATIONS**

CSI Division 06600; 06610; 224223

**\*\*All products made of cultured marble, also known as MasterCast Engineered Composites, Cast Stone, Stone Resin, Resine de Pierre or Marbre de Synthese (French), Mineral Guss (German), Polybeton (Dutch)\*\***

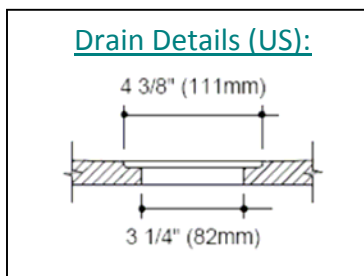
## 48" x 48" Low Profile Shower Base



### Included Features:

- Solid one-piece construction
- Pre-leveled, rests on subfloor
- Mold and mildew resistant
- Bacteria resistant
- "Grout-free" and non-porous
- Stain resistant and easy to clean
- Waterproof and leakproof

Our products comply with one or more of the following: IAPMO, ANSI, HUD, NAHB, NHQ



### Recommended drains that will fit custom shower bases:



Solvent Weld type fitting similar to Oatey Part No. 42097



Compression type "No-Caulk" fitting similar to Oatey Part No. 42099



# BASINS SPECIFICATIONS





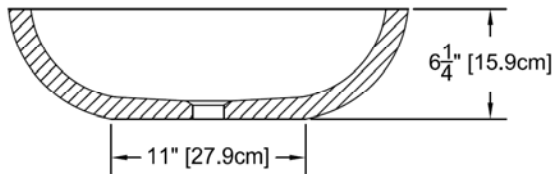
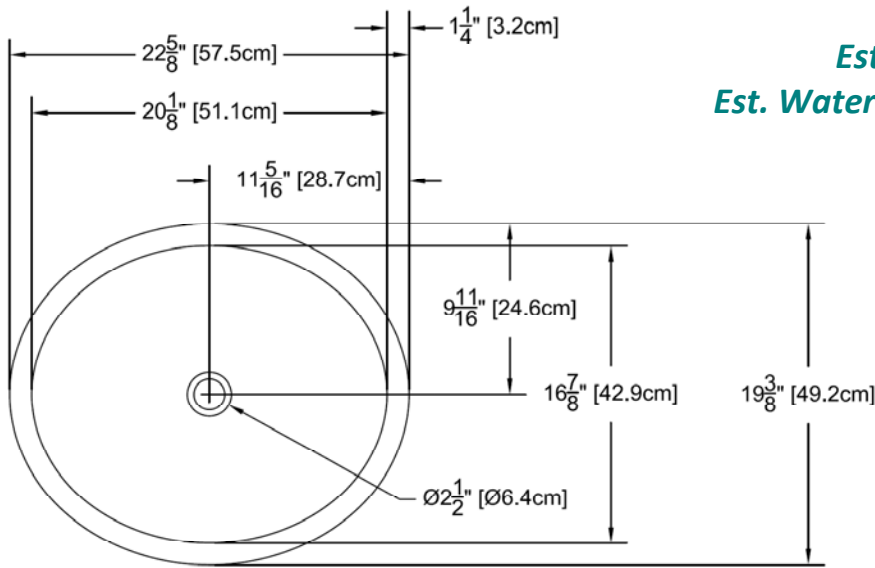
**BASINS**  
**TECHNICAL SPECIFICATIONS**  
**CSI Division 06600; 06610**

LAST REVISED: 6/8/2010

*\*\*All products made of cultured marble, also known as MasterCast Engineered Composites, Cast Stone, Stone Resin, Resine de Pierre or Marbre de Synthese (French), Mineral Guss (German), Polybeton (Dutch)\*\**

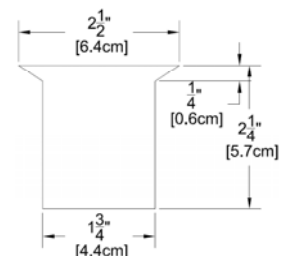
## Ovalis 1 Basin

**Est. Weight: 38.9 lbs (17.7 kg)**  
**Est. Water Capacity: 3.2 gal (12 litres)**



Our products comply with one or more of the following: IAPMO, ANSI, HUD, NAHB, NHQ

### Drain Details:



**Overflow available upon request only**  
**Drain dimensions may vary slightly**



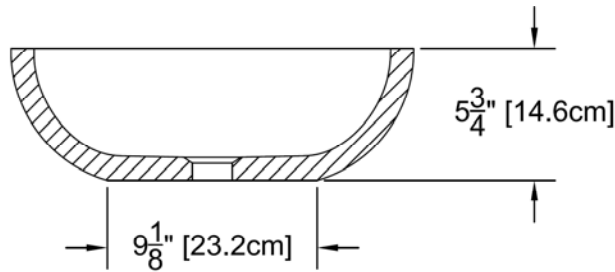
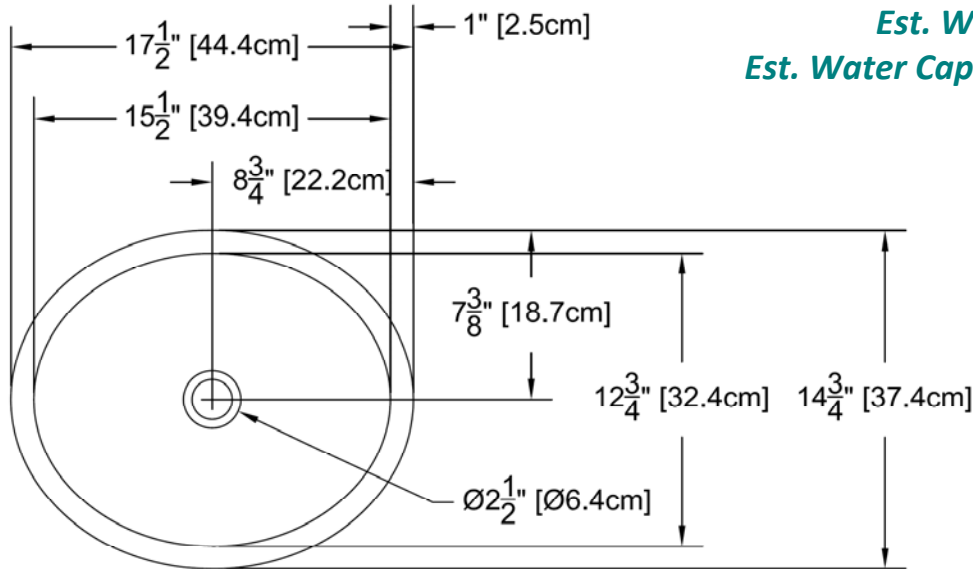
**BASINS**  
**TECHNICAL SPECIFICATIONS**  
**CSI Division 06600; 06610**

LAST REVISED: 6/8/2010

*\*\*All products made of cultured marble, also known as MasterCast Engineered Composites, Cast Stone, Stone Resin, Resine de Pierre or Marbre de Synthèse (French), Mineral Guss (German), Polybeton (Dutch)\*\**

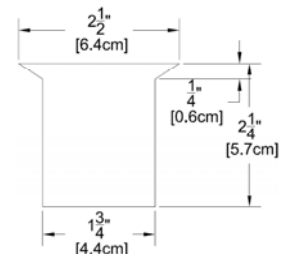
## Ovalis 2 Basin

**Est. Weight: 23 lbs (10.4 kg)**  
**Est. Water Capacity: 1.5 gal (6 litres)**



Our products comply with one or more of the following: IAPMO, ANSI, HUD, NAHB, NHQ

### Drain Details:



**Overflow available upon request only**  
**Drain dimensions may vary slightly**

# ACCESSORIES SPECIFICATIONS





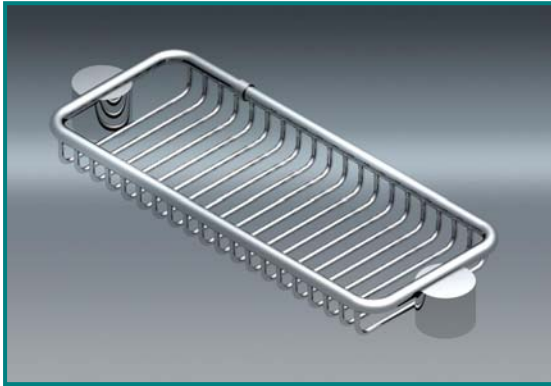
**SOAP DISHES & HOLDERS**

LAST REVISED: 7/15/2010

**TECHNICAL SPECIFICATIONS**

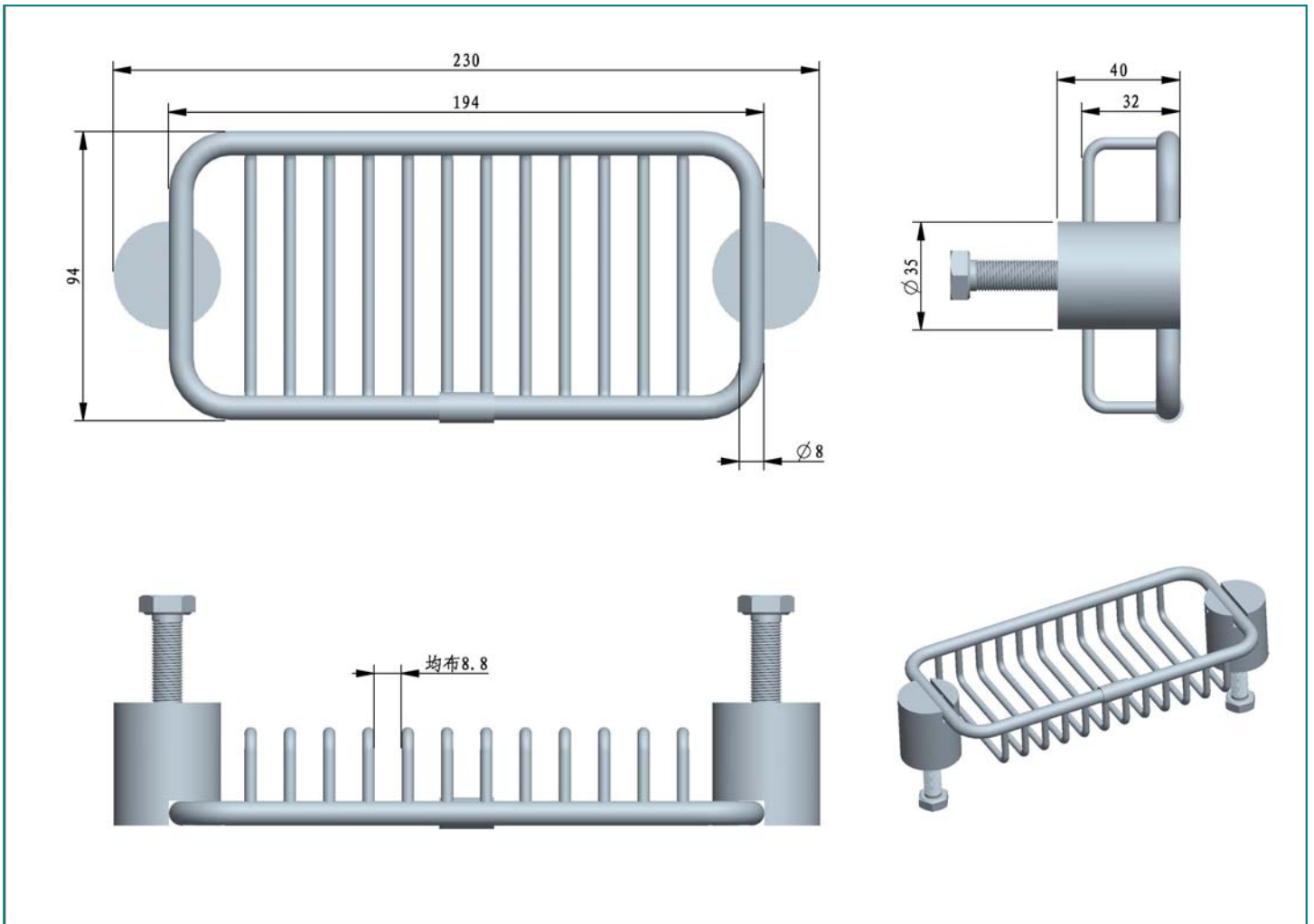
**CSI Division 06600; 06610**

**\*\*All products made of cultured marble, also known as MasterCast Engineered Composites, Cast Stone, Stone Resin, Resine de Pierre or Marbre de Synthese (French), Mineral Guss (German), Polybeton (Dutch)\*\***



## Soap Dishes and Holders

Our products comply with one or more of the following: IAPMO, ANSI, HUD, NAHB, NHQ





**GRAB BARS**

LAST REVISED: 7/15/2010

**TECHNICAL SPECIFICATIONS**

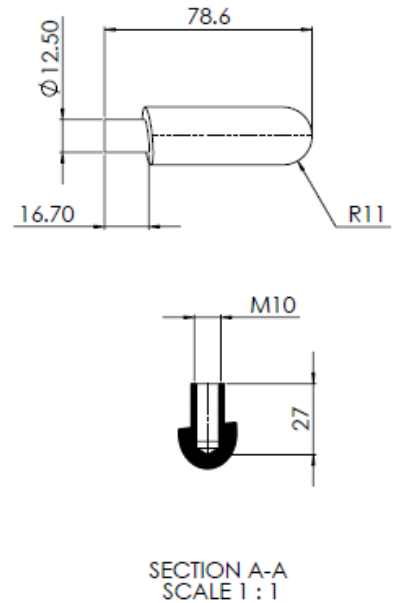
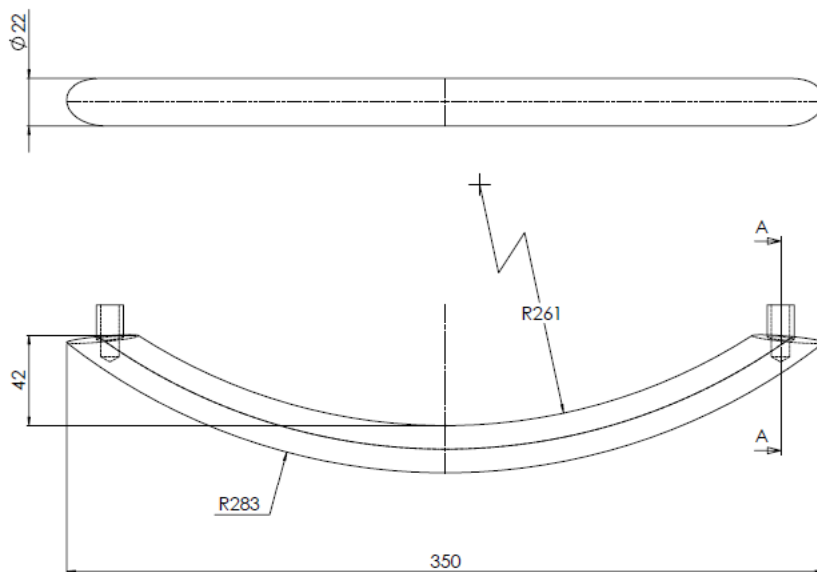
**CSI Division 06600; 06610**

**\*\*All products made of cultured marble, also known as MasterCast Engineered Composites, Cast Stone, Stone Resin, Resine de Pierre or Marbre de Synthese (French), Mineral Guss (German), Polybeton (Dutch)\*\***



# Grab Bars

Our products comply with one or more of the following: IAPMO, ANSI, HUD, NAHB, NHQ



Tyrrell & Laing International, Inc.  
P.O. Box 291656  
Tampa, FL 33687

Office: (813) 625-1178 \* Fax: (813) 980-1913  
Glyn@TandLint.com

