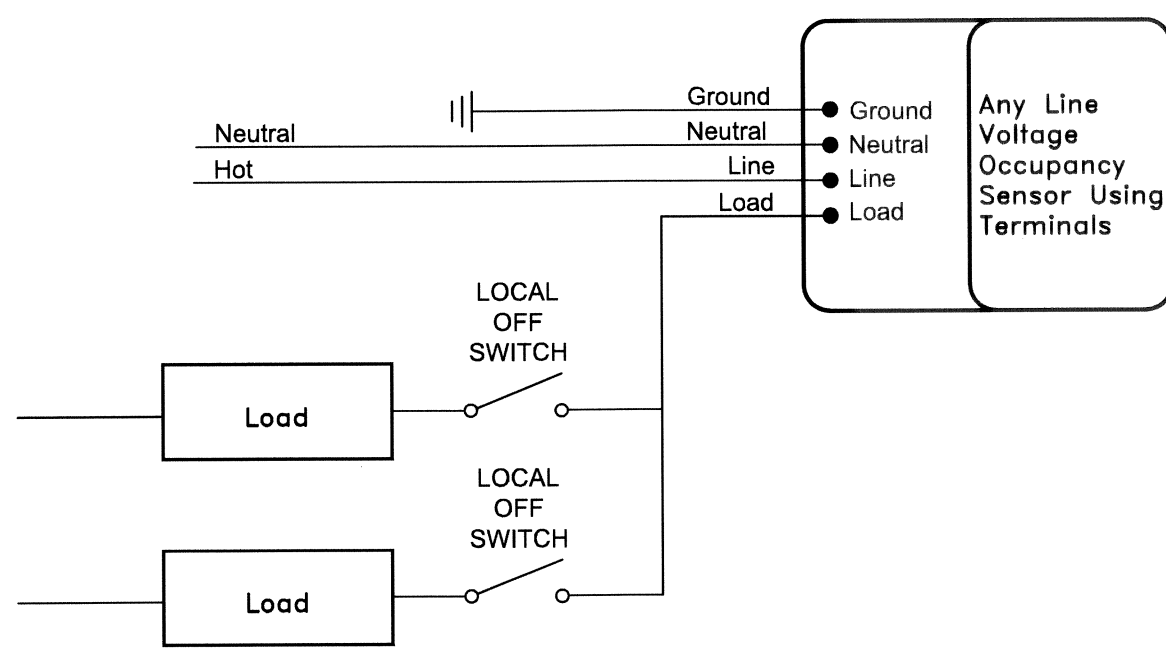


COMBINATION OUTLET DETAIL
n.t.s.



FOR 3 WAY SWITCHES ROUTE THROUGH SENSOR BEFORE POWERING SWITCH

DT-355 SENSOR DETAIL
n.t.s.

ELECTRICAL LEGEND

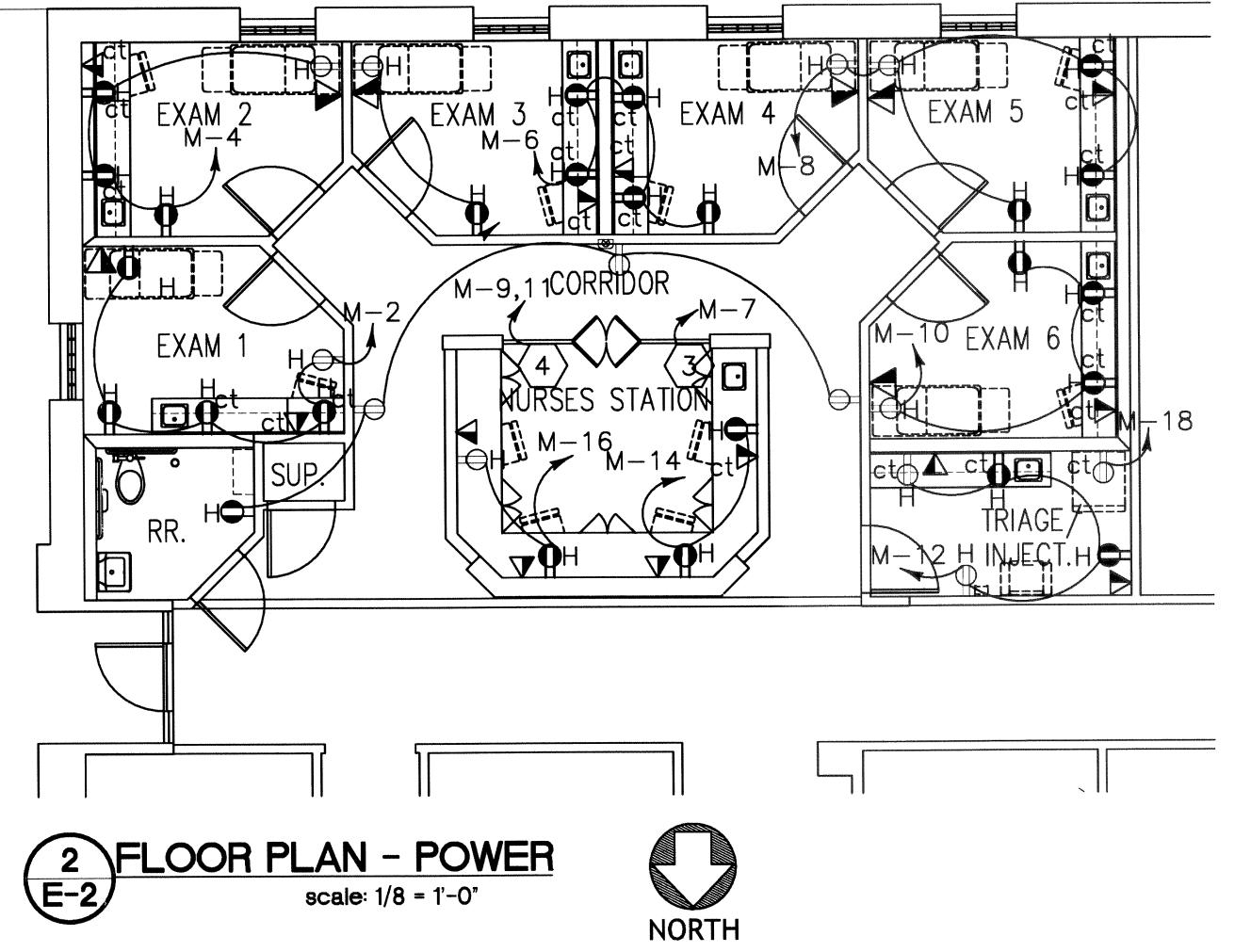
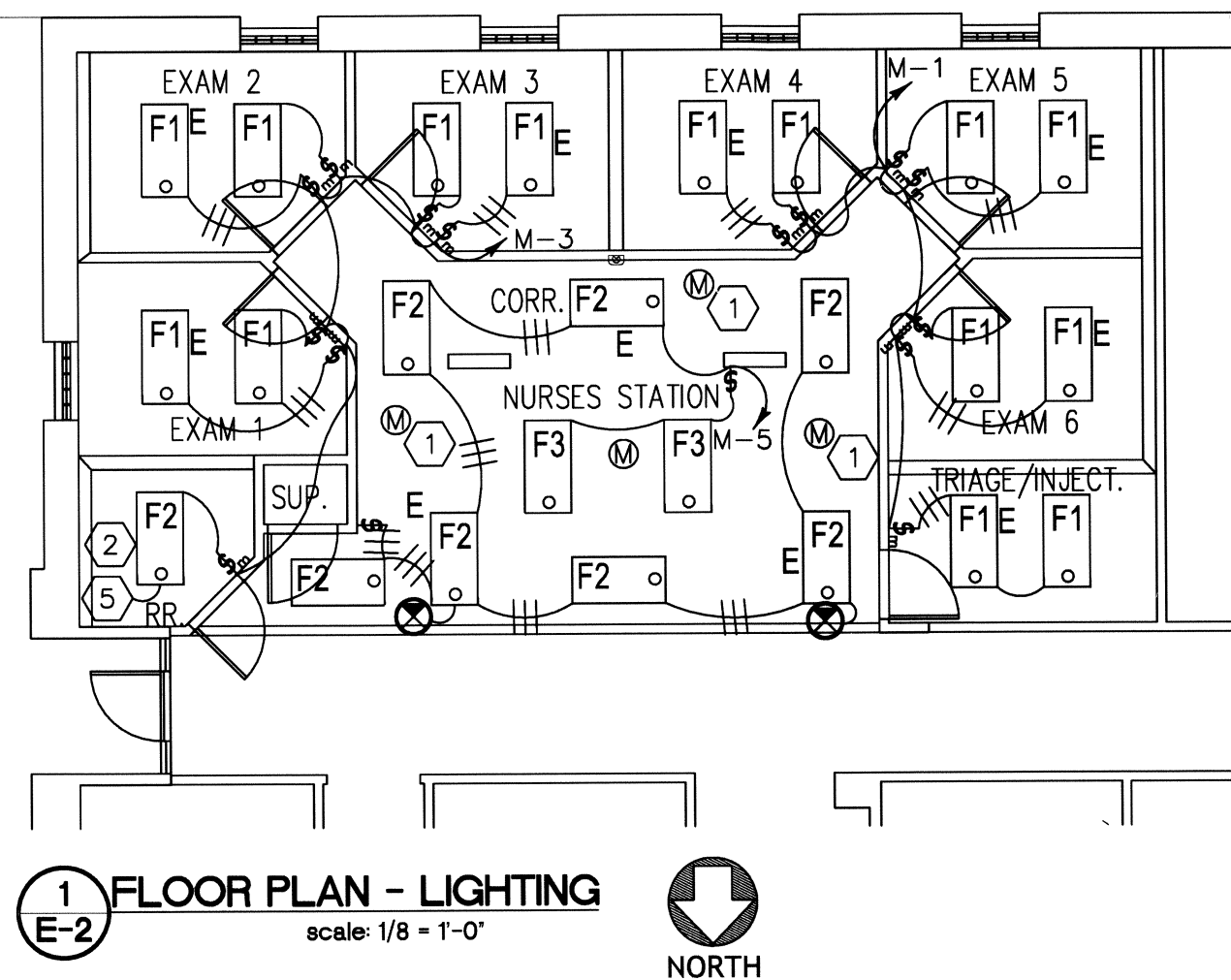
- § FLUSH MOUNTED, DECORA PADDLE, WALL SWITCH WITH STAINLESS STEEL DEVICE PLATE, SINGLE POLE, 20A, 120/277V, SATIN FINISH, MOUNTED AT 48" A.F.F. TO CENTERLINE OR AS NOTED.
- §,§,§ WALL SWITCHES WITH SAME SPECS AS ABOVE EXCEPT: 3-WAY, 4-WAY
- §,§,§ FLUSH MOUNTED WALL MOTION SENSOR SWITCH WITH STAINLESS STEEL DEVICE PLATE, WATTSTOPPER DSW-100 (XXXV) OR EQUAL BY MYTECH, MOUNTED AT 48" A.F.F. TO CENTERLINE OR AS NOTED.
- ▽ COMBINATION OUTLET. SEE DETAIL THIS SHEET. PROVIDE 2-CAT 6 CABLES FROM THIS LOCATION TO HEAD END IN I.T. ROOM. PROVIDE SLACK FOR TERMINATIONS. COORDINATE WITH ARCHITECT. PROVIDE CONDUIT IN INACCESSIBLE SPACES, OTHERWISE J-HOOKS.
- ⊕ FLUSH, WALL MOUNTED DUPLEX RECEPTACLE, 20A, 120V, MOUNTED AT 18" A.F.F. TO CENTERLINE OR AS NOTED.
- ⊕ DUPLEX RECEPTACLE WITH SAME SPECS AS ABOVE WITH INTERNAL GROUND FAULT CIRCUIT INTERRUPTER.
- ⊕ WP DUPLEX RECEPTACLE WITH SAME SPECS AS ABOVE WITH INTERNAL GROUND FAULT CIRCUIT INTERRUPTER AND A WEATHERPROOF COVER.
- ⊕ H DUPLEX RECEPTACLE WITH SAME SPECS AS ABOVE AND HOSPITAL GRADE.
- ⊕ FUSED DISCONNECT SWITCH.
- ⊕ PANELBOARD, SURFACE OR RECESSED AS SHOWN
- ⊕ #10 CONDUIT AND WIRE CONCEALED IN WALL OR ABOVE CEILING. THE ARROW INDICATES A HOMERUN TO THE PANEL. SLASHES MARKS INDICATE THE NUMBER OF #12 WIRES IN THE CONDUIT. ABSENCE OF SLASHES IS (2) #12. SIZE CONDUIT PER N.E.C. A SEPARATE EQUIPMENT GROUND IS REQUIRED BUT IT IS NOT DENOTED WITH A SLASH. #10 DENOTES AN INCREASE IN THE WIRE SIZE.
- ⊕ JUNCTION BOX WITH COVER PLATE
- NRC NEAREST RECEPTACLE CIRCUIT
- NL UNSWITCHED NIGHT LIGHT
- E EMERGENCY FIXTURE
- A.F.F./A.F.G. ABOVE FINISHED FLOOR OR GRADE
- CT COUNTER TOP HEIGHT (COORDINATE RECEPTACLE HEIGHT WITH BACKSPLASH)
- ⊕ WATTSTOPPER DT-355, WITH CA-1 COVER ADAPTER, MOTION SENSOR. CONNECT TO LIGHTING PER MANUFACTURER'S RECOMMENDATIONS. SEE DETAIL THIS SHEET.
- C CONDUIT

LIGHTING FIXTURE SCHEDULE		
MARK	DESCRIPTION AND CATALOG NUMBER	LAMP TYPE
F1	2X4, 4 LAMP, FLUORESCENT, .125" LENS, 1 ELECTRONIC BALLAST COOPER 2GC8-432-A125-UNV	4-32W T-8
F2	2X4, 2 LAMP, FLUORESCENT, .125" LENS, 1 ELECTRONIC BALLAST COOPER 2GC8-232-A125-UNV	2-32W T-8
F3	2X4, 3 LAMP, FLUORESCENT, .125" LENS, 1 ELECTRONIC BALLAST COOPER 2GC8-332-A125-UNV	3-32W T-8
⊕	UNIVERSAL, LED EXIT WITH BATTERY BACKUP, FACES AND ARROWS AS REQUIRED COOPER AP7-0-R	LED

NOTES: OR EQUAL BY LITHONIA

GENERAL NOTES THIS SHEET

- A. ALL FIXTURES SHALL BE F1 UNLESS NOTED OTHERWISE.
- B. ALL CONDUIT SHALL BE MINIMUM 1/2" AND CONTAIN A#12 INSULATED GROUND MINIMUM.
- C. PROVIDE UNSWITCHED 120V TO ALL E, EM, AND EXIT FIXTURES. PROVIDE A BODINE B-50 EMERGENCY BALLAST, INSTALLED BY FIXTURE MANUFACTURER, FOR EACH E DESIGNATED FIXTURE.
- D. PROVIDE AN EXTENSION TO THE EXISTING FIRE ALARM SYSTEM. SEE SPECIFICATIONS. PROVIDE A MINIMUM OF 5 STROBES WITH AT LEAST ONE A COMBINATION AUDIBLE DEVICE. PROVIDE ADDITIONAL SPRINKLER ZONE MONITORING DEVICES AS REQUIRED. PROVIDE COMPLETE SMOKE DETECTOR COVERAGE FOR THE ENTIRE AREA OF WORK INCLUDING THE AHU.
- E. ALL NEW CIRCUITRY SHALL CONTAIN A GROUNDING CONDUCTOR AND AN INSULATED GROUNDING CONDUCTOR UNLESS OTHERWISE NOTED.



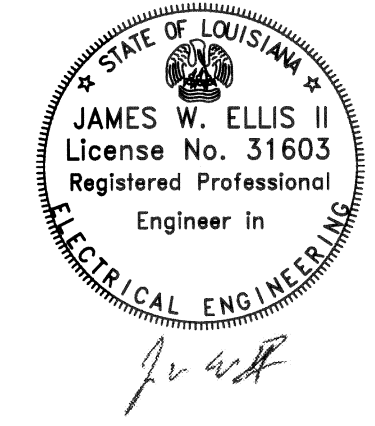
SPECIFIC NOTES THIS SHEET:

- 1 MOTION SENSORS SHALL CONTROL ALL LIGHTS IN ALL HALLS TOGETHER. SEE DETAIL.
- 2 PROVIDE A FLANGE KIT FOR FIXTURES IN GP BOARD CEILINGS.
- 3 MAKE FINAL CONNECTIONS TO SUMP PUMP THROUGH 250V, 1P, DISCONNECT SWITCH.
- 4 2#8 AWG AND 1#10 GRD IN 3/4" C. MAKE FINAL CONNECTIONS TO WATER HEATER THROUGH 60A, 2P, F.D.S. FUSE AT 40A.
- 5 CONTINUE TO EXHAUST FAN. MAKE CONNECTIONS THROUGH A 1P, TOGGLE, DISCONNECT SWITCH LOCATED NEXT TO FAN.

DIRECTORY		CCT. NO.	BKR. AMPS	L1	L2	L3	BKR. AMPS	CCT. NO.	DIRECTORY	
LIGHTS	1	20					20	2	RECEPTACLES	
LIGHTS	3	20					20	4	RECEPTACLES	
LIGHTS	5	20					20	6	RECEPTACLES	
SUMP PUMP	7	20					20	8	RECEPTACLES	
WATER HEATER	9	50					20	10	RECEPTACLES	
	11						20	12	RECEPTACLES	
SPACE	13						20	14	RECEPTACLES	
SPACE	15						20	16	RECEPTACLES	
SPACE	17						20	18	RECEPTACLES	
SPACE	19						20	20	SPARE	
SPACE	21						20	22	SPARE	
SPACE	23						20	24	SPARE	
SPACE	25						20	26	SPARE	
SPACE	27						20	28	SPARE	
SPACE	29						20	30	SPARE	
SPACE	31						20	32	SPARE	
SPACE	33						34		SPACE	
SPACE	35						36		SPACE	
SPACE	37						38		SPACE	
SPACE	39	20					40		SPACE	
SPACE	41	20					42		SPACE	

VOLTAGE: 120/208V 3P.H. 4W. SN MAIN BUS: 150
 MAIN BREAKER: MLO
 MOUNTING: SURFACE
 NOTE: 50K AIC, PROVIDE 160KA TVSS. SEE SPECIFICATIONS.

PANEL NO. M
 LOC. ELEC RM



ELLIS
ENGINEERING, L.L.C.
108 ROYAL CRESCENT DR.
BELLE CHASSE, LA 70037
(504) 415-7670
PROJECT No. 15009
JAMES W. ELLIS II, P.E., LOUISIANA LICENSE # 31603