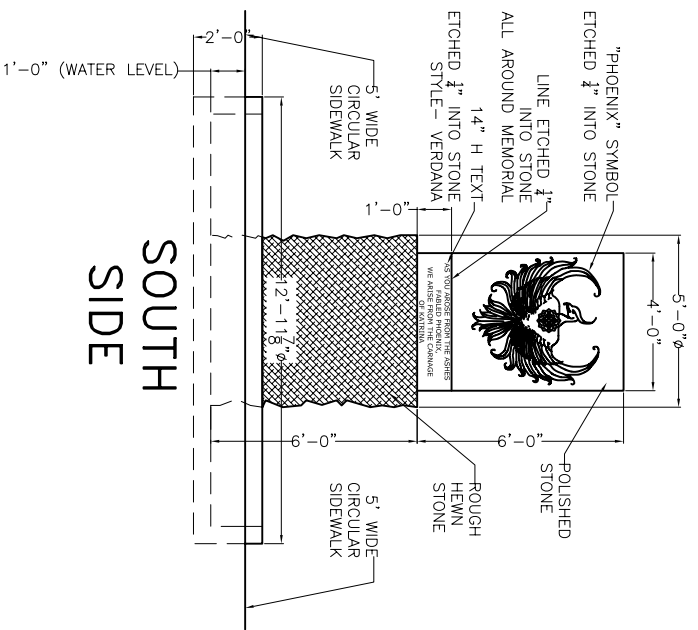
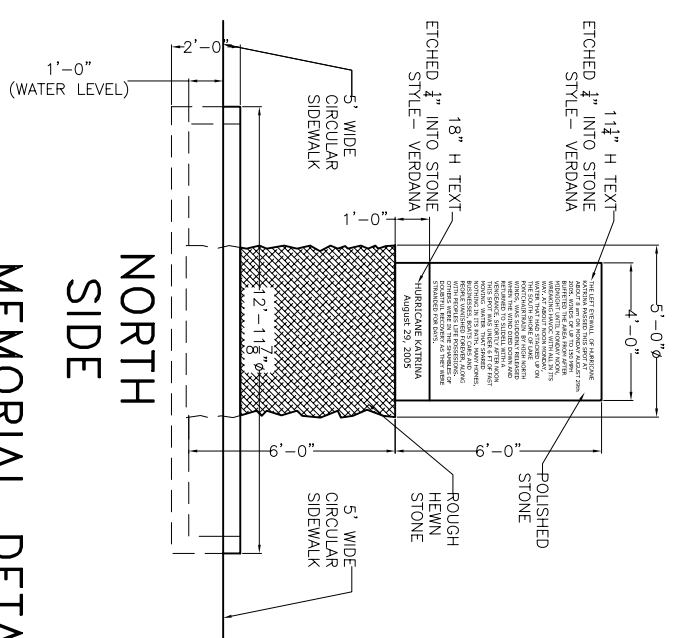


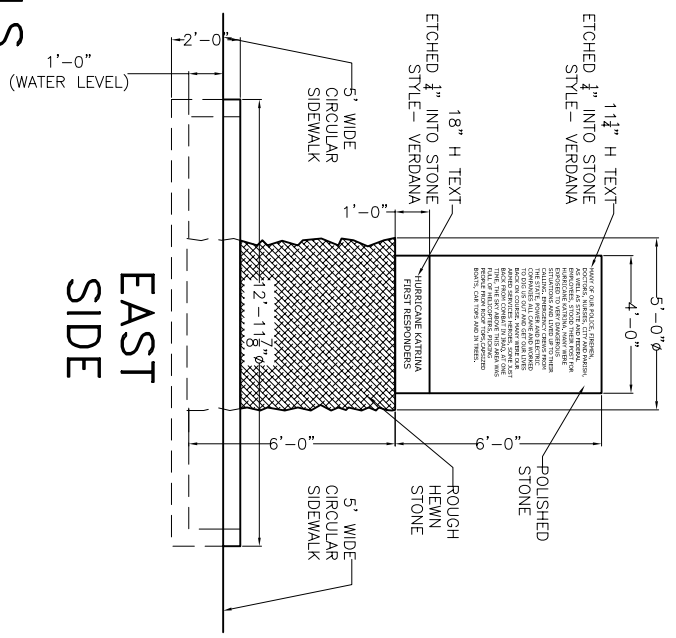
MEMORIAL PLAN
SCALE: 1" = 10'-0"



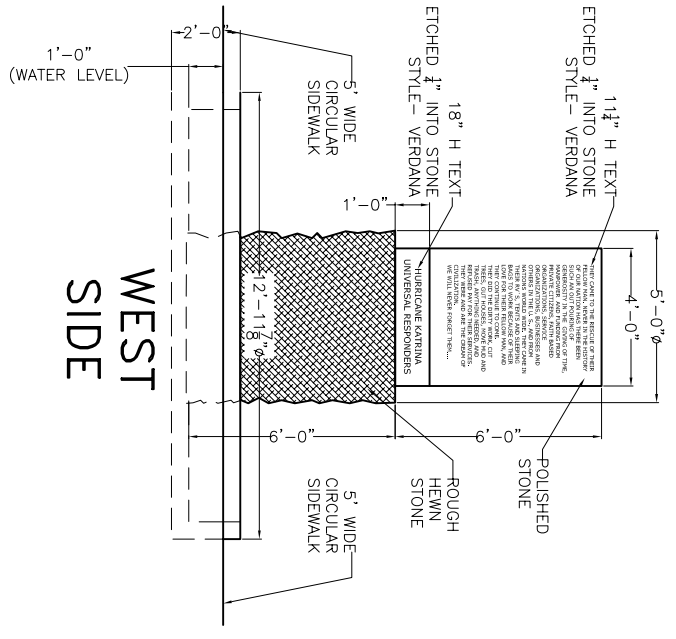
SOUTH SIDE



NORTH SIDE



EAST SIDE



WEST SIDE

MEMORIAL DETAILS
SCALE: N. T. S.

PROPOSED KATRINA MEMORIAL

SLIDELL, LOUISIANA

KATRINA MEMORIAL

DAMMON ENGINEERING, INC.

1095 FLORIDA AVENUE 985-649-5832 SLIDELL, LA. 70458
DAMMONENGINEERING.COM

SCALE: 1" = 20'

FILE:

JOB NO. 1729

DATE: 1-8-07

SHEET

C 1 M

OF