

A group wash-up fixture, shown in Commentary Figure 416.1, is a single large basin accommodating more than one person. A group wash-up fixture has to comply with Sections 402.1 and 402.2 and be approved by the code official because it is generally not addressed by any of the referenced material or fixture standards. These fixtures are installed in areas subject to large volumes of traffic, such as facilities in sports arenas and schools.

The rim space calculation is used to determine the minimum number of required fixtures in accordance with Table 403.1 and the maximum permitted water consumption listed in Table 604.4. This calculation is not intended for use in determining the dfu value of the fixture, which is based on the trap size in accordance with Table 709.2.

416.2 Cultured marble lavatories. Cultured marble vanity tops with an integral lavatory shall conform to CSA B45.5/IAPMO Z124.

- ❖ Vanity tops with an integral lavatory that is all plastic must conform to the standard indicated. Lavatory units can be constructed of a variety of synthetic materials, including ABS, PVC, gel-coated fiberglass reinforced plastic, acrylic, cultured marble cast-filled fiberglass, polyester and cultured marble acrylic.

Cultured marble vanity tops are impregnated with fire-retardant chemicals, reducing the fuel contribution of the unit during a fire. They are also designed to resist the effect of a burning cigarette left unattended on the vanity top.

416.3 Lavatory waste outlets. Lavatories shall have waste outlets not less than 1¹/₄ inches (32 mm) in diameter. A strainer, pop-up stopper, crossbar or other device shall be provided to restrict the clear opening of the waste outlet.

- ❖ The sizing requirements of Table 709.1 for a lavatory are emphasized. Each lavatory opening must have a restriction, preventing items such as rings, toothbrushes and cosmetic devices from inadvertently entering the drain.

416.4 Moveable lavatory systems. Moveable lavatory systems shall comply with ASME A112.19.12.

- ❖ Moveable and pivoting lavatories allow the user to adjust the location of a lavatory upward and downward, from side to side and front to back to maximize the ease of use of the fixture. Some products also pivot to allow greater ease of use. Commentary Figure 416.4 shows an adjustable shampoo bowl that complies with ASME A112.19.12.

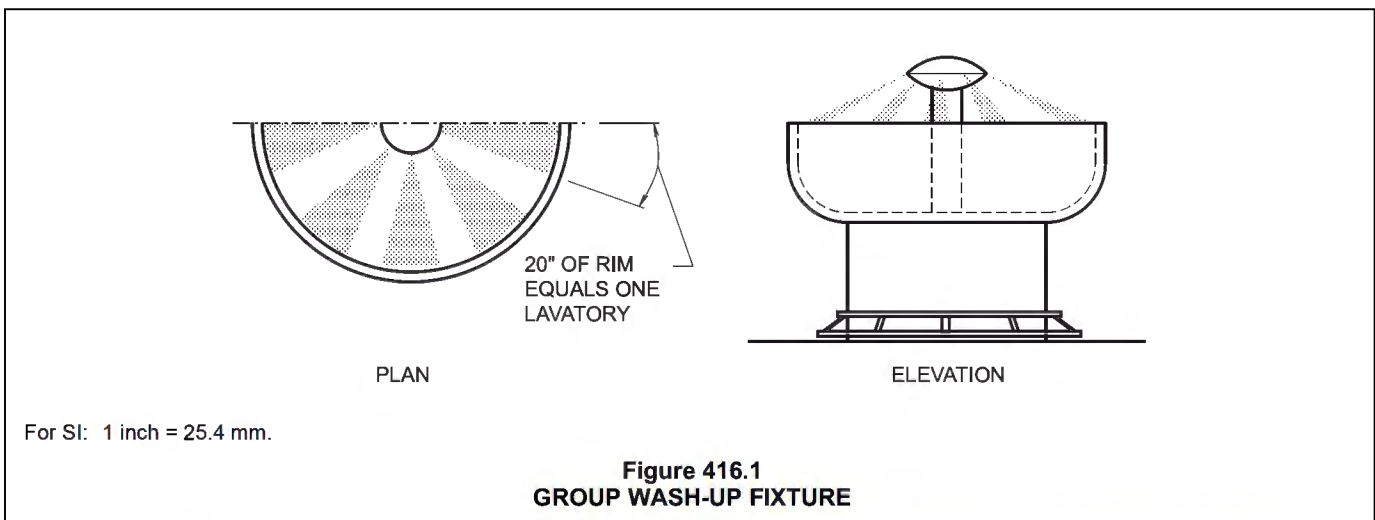
416.5 Tempered water for public hand-washing facilities.

Tempered water shall be delivered from lavatories and group wash fixtures located in public toilet facilities provided for customers, patrons and visitors. *Tempered water* shall be delivered through an *approved* water-temperature limiting device that conforms to ASSE 1070 or CSA B125.3.

- ❖ Prior to the 2012 code edition, it was not exceptionally clear what constituted a public hand-washing facility. Therefore, a conservative interpretation of this resulted in the inclusion of hand-washing sinks in commercial kitchens, restaurant bars, medical examination rooms, dental offices and other similar locations. The change for the 2012 edition clarifies that the requirement is only for lavatories and group wash fixtures in public toilet facilities for customers, patrons and visitors. Employee hand wash sinks, bar sinks and similar nonpublic, nontoilet room hand-washing fixtures do not require tempered water.

Hot water for public hand-washing facilities is rarely provided by a dedicated water heater set at a temperature that prevents scalding. In most cases, the hot water is provided from a central water heater that provides hot water for all purposes within the building. In occupancies that require high-temperature water for dishwashing, cleaning and other commercial applications, public users might be abruptly exposed to this excessively hot water without warning. Requiring the installation of a temperature-limiting device conforming to ASSE 1070 or CSA B125.3 will prevent scalding.

Note that an ASSE 1016 tempering valve cannot be used in this application because the testing protocol for



For SI: 1 inch = 25.4 mm.

Figure 416.1
GROUP WASH-UP FIXTURE