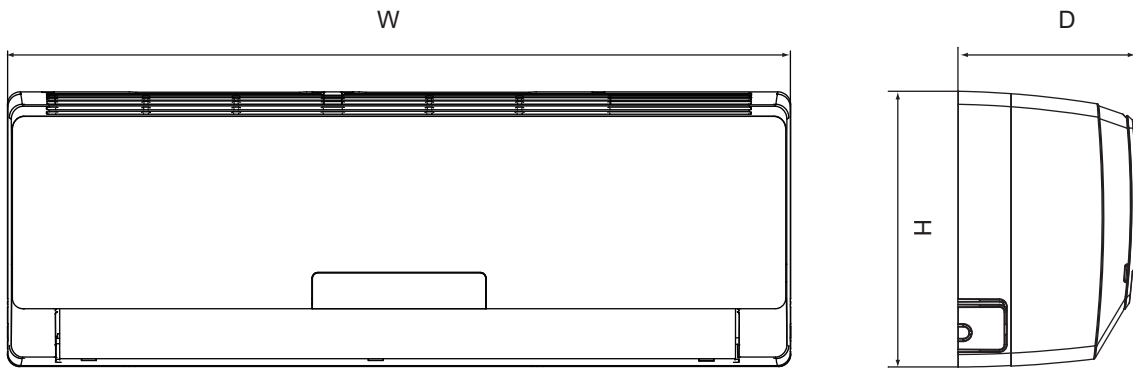


MODEL NOMENCLATURE

MODEL SERIES	D	L	C	4	A	V	0	9	J	1	A
Position Number	1	2	3	4	5	6	7	8	9	10	11
DLC = Outdoor DLF = Indoor	Outdoor/Indoor										
4AV = AC Outdoor 4AC = AC Indoor 4HV = HP Outdoor 4HH = HP Indoor	Type										
09 = 9k BTU 12 = 12k BTU 18 = 18k BTU 24 = 24k BTU 30 = 30k BTU 36 = 36k BTU							Size				
J = 115-1-60 K = 208/230-1-60									Voltage		
1A											Factory Designation

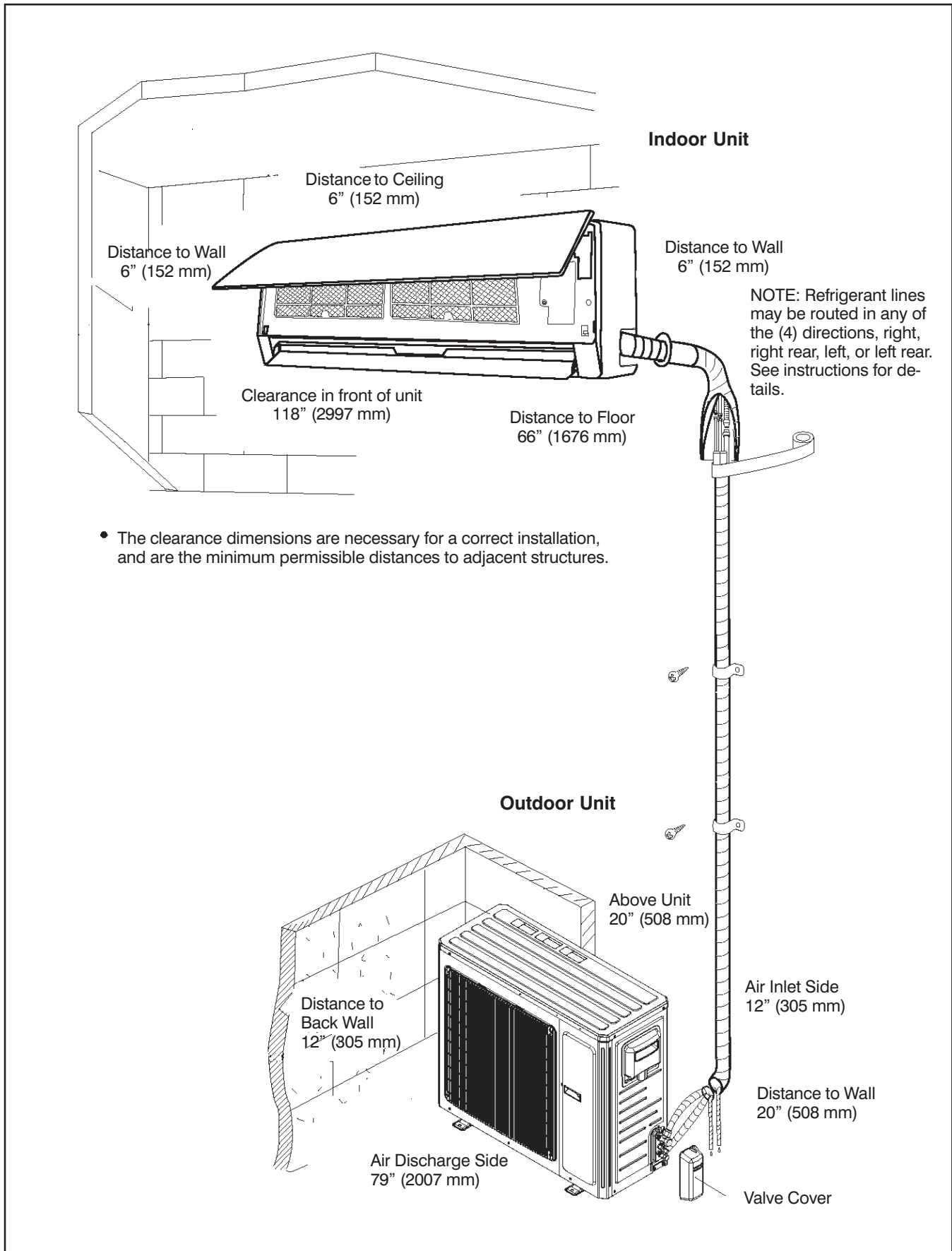
DIMENSIONS – INDOOR



A12377

Unit Size	W In. (mm)	H In. (mm)	D In. (mm)	Net Operating Weight Lbs. (Kg)
9k	33.3 (846)	10.7 (272)	7.1 (180)	29 (13)
12k	33.3 (846)	10.7 (272)	7.1 (180)	29 (13)
18k	37.0 (940)	11.7 (297)	7.9 (201)	29 (13)
24k	39.7 (1008)	12.4 (315)	8.6 (218)	35 (16)
30k	53.1 (1349)	12.8 (325)	10.0 (54)	44.1 (20.0)
36k	53.1 (1349)	12.8 (325)	10.0 (54)	44.1 (20.0)

CLEARANCES



A07891

Figure 1 – Unit clearance

INSTALLATION GUIDE

Ideal installation locations include:

Indoor Unit

- A location where there are no obstacles near inlet and outlet area.
- A location which can bear the weight of indoor unit.
- Do not install indoor units near a direct source of heat such as direct sunlight or a heating appliance.
- A location which provides appropriate clearances as outlined in Figure 1. Be sure to leave enough Distance to allow access for routine maintenance. The installation site should be 66 in. (1676mm) or more above the floor.
- Select a place away from potential electronic interference.
- Select a place where the filter can be removed easily.

Outdoor Unit

- A location which is convenient to installation and not exposed to strong wind.
- A location which can bear the weight of outdoor unit and where the outdoor unit can be mounted in a level position.
- A location which provides appropriate clearances as outlined in Figure 1.
- Do not install the indoor or outdoor units in a location with special environmental conditions.
- Make sure that the outdoor unit is installed in accordance with the installation instructions, and is convenient for maintenance and repair.
- See the refrigerant piping table for the maximum height difference between indoor and outdoor units, and the maximum length of the connecting tubing.

INDOOR UNIT INSTALLATION

INSTALL MOUNTING PLATE

1. Carefully remove the mounting plate from the unit box.
2. The mounting plate should be located horizontally and level on the wall. All minimum spacings shown in Figure 1 through Figure 3 should be maintained.
3. If the wall is block, brick, concrete or similar material, drill .2" (5 mm) diameter holes and insert anchors for the appropriate mounting screws.
4. Attach the mounting plate to the wall.

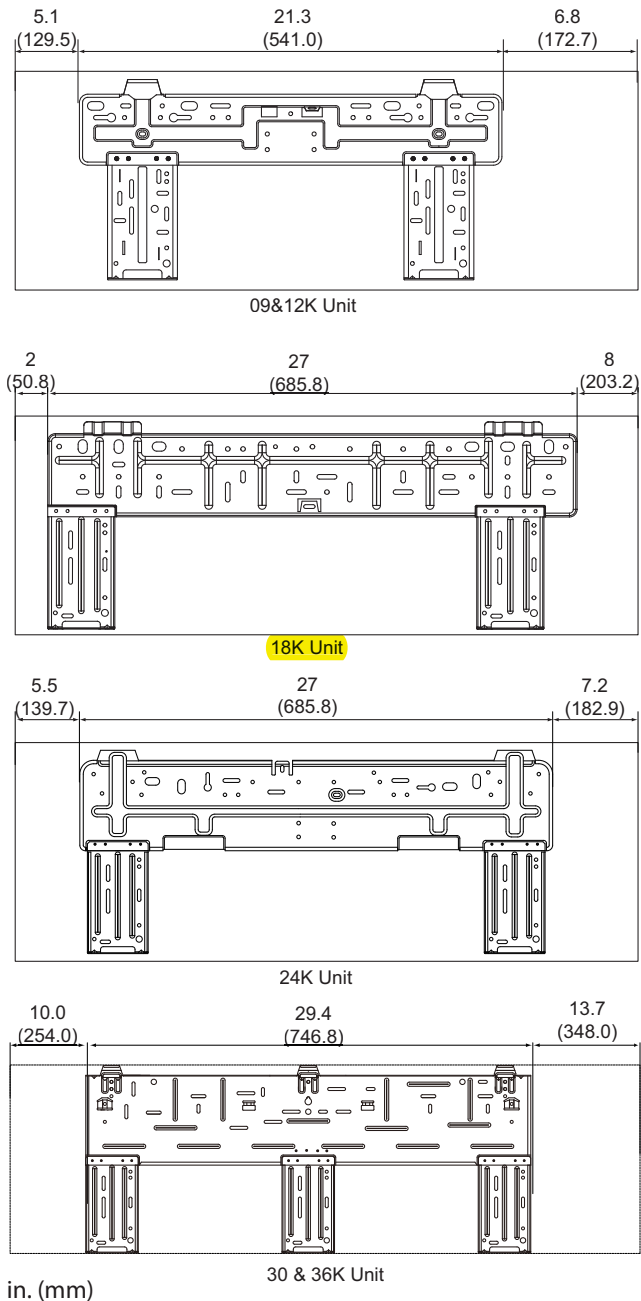


Figure 2 – Mounting Plate Spacing

A12378

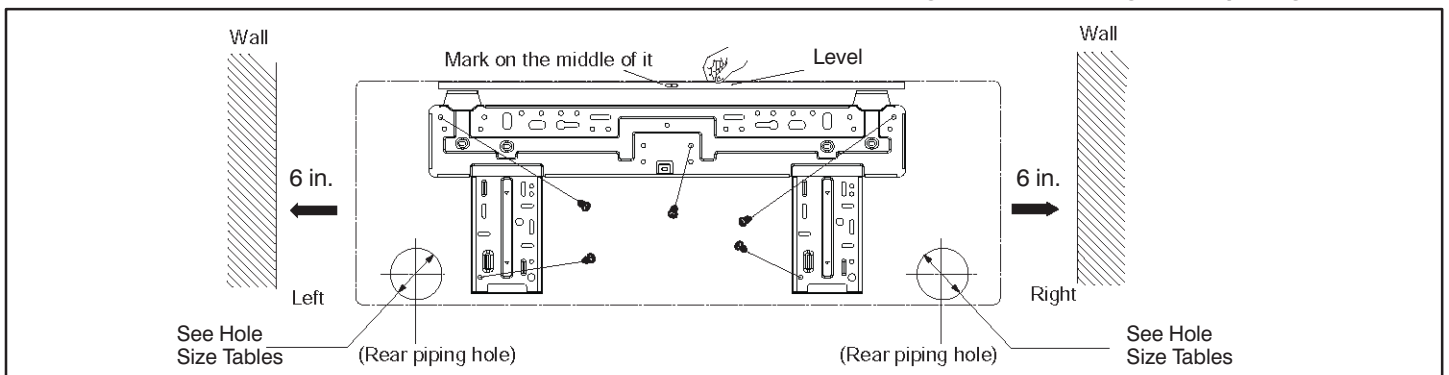


Figure 3 – Install Mounting Plate