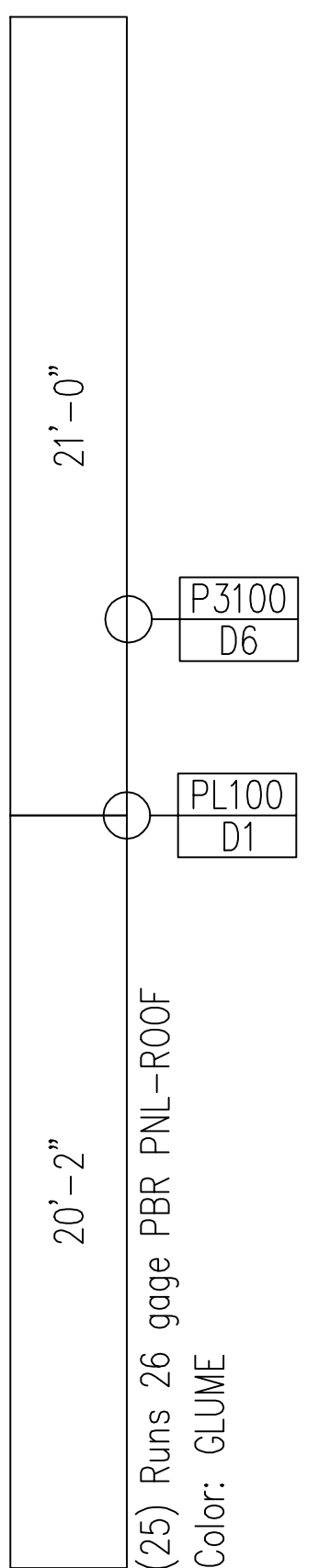
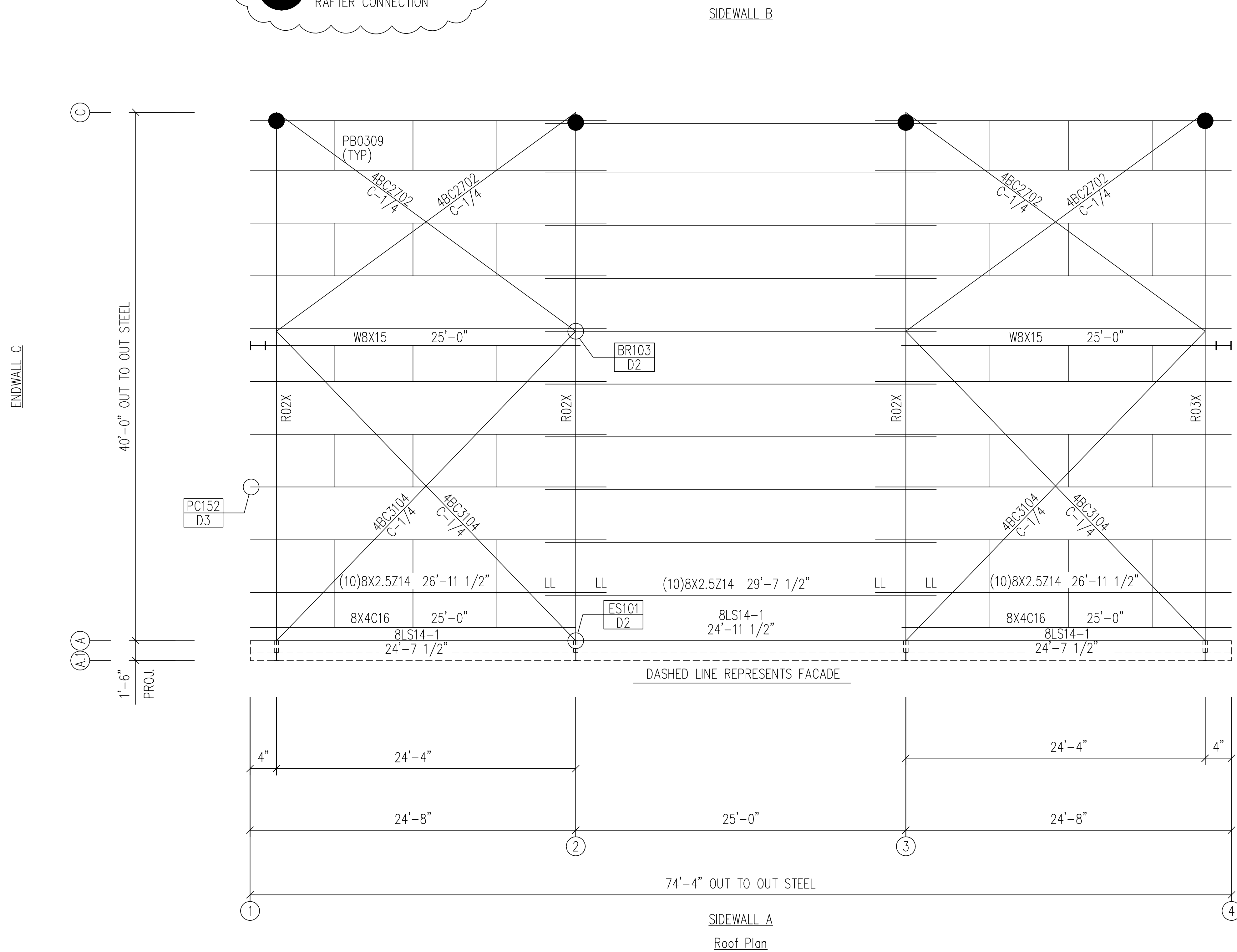


INDICATES (4) 1/2" A307 BOLTS IN PURLIN TO RAFTER CONNECTION

NOTE:
DO NOT ATTACH ROOF SHEETS TO ROOF STRUTS.



LAP SCHEDULE			
NAME	LENGTH	DETAIL	DWG
LL	2'3 3/4"	PC153	D3

ERECTION SHEET		JOB	SHEET	REV.	REVISION	DWN. CKD.	DATE
		R-4462	E1 OF 11	0			
JOB NAME: HAIR SALON SUPPLIES		PERMIT/APP: MY					
JOB LOCATION: SLIDELL, LA.		DRAWN: DATE		CHECKED: DATE		SCALE: NTS.	
Hwy. 2 West - Oak Grove, La. - (318)428-2305		DATE		DATE		DATE 2/13/12	

APPROVED

PROFESSIONAL ENGINEER