



FEATURES & SPECIFICATIONS

INTENDED USE

Ideal where high brightness and high illumination levels are required such as retail, industrial and warehouse applications.

ATTRIBUTES

Fixtures assembled with snap and screwed together components. Available in a variety of lengths and lamp configurations. Gripper-back design for superior strength and rigidity.

CONSTRUCTION

Heavy-duty channel, die-formed cold-rolled steel.

Sturdy channel cover secured by quarter-turn latch for tool-less access to wireway. Screw-on endplates.

FINISH

Five-stage iron-phosphate pretreatment ensures superior paint adhesion and rust resistance. Finish is high-gloss baked white enamel.

ELECTRICAL SYSTEM

Thermally protected, resetting, Class P, HPF, UL listed, CSA Certified ballast is standard. Energy saving and electronic ballasts are sound rated A.

Fixture is suitable for damp locations. AWM, TFN or THHN wire used throughout, rated for required temperatures.

INSTALLATION

For unit or row installation, surface or suspended mounting. Channel connector furnished standard.

LISTING

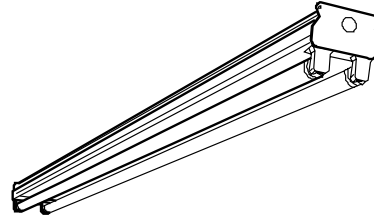
120V, 277V and MVOLT are UL Listed and CSA Certified (standard). 347V is CSA Certified (see Options). NOM Certified (see Options).

WARRANTY

Guaranteed for one year against mechanical defects in manufacture.

Catalog Number	
Notes	Type

Heavy-Duty Strip UNS

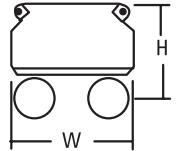


Rapid Start
2', 3', 4' or 8' length
1 or 2 lamps

Specifications

Length:	24" (610), 36" (914), 48" (1219) or 96" (2438)
Width:	4-3/8" (111)
Height:	3" (76)

All dimensions are inches (millimeters).
Specifications subject to change without notice.



ORDERING INFORMATION

Choose the boldface catalog nomenclature that best suits your needs and write it on the appropriate line. Order accessories as separate catalog number.

Example: **UNS 2 32 120 GEB**

Series	Lamps	Voltage	Options
UNS Heavy-duty strip For tandem double-length unit, add prefix T. Example: TUNS	1 or 2 Not included.	120 277 347 MVOLT¹	Shipped installed in fixture ES T12 Energy-savings ballast (30W or 40W lamps only) GEB T8 electronic ballast, ≤20% THD, Instant Start GEB10IS T8 Electronic ballast, ≤10% THD, Instant Start GEB10RS T8 Electronic ballasts, 10% THD, Rapid Start EL Emergency battery pack (nominal 300 lumens), see Life Safety Section GLR Internal fast-blow fusing GMF Internal slow-blow fusing PLF_ Plug-in wiring, Specify 1, 2 or 3 branch circuits & hot wires (A = black, B = red, C = blue, AB or AC) TILW Tandem in-line wiring CSA CSA Certified (347V only) NOM NOM Certified
	Lamp Type		
	17 17W T8 (24") 20 20W T12 (24") 25 25W T8 (36") 30 30W T12 (36") 30 30W RS T12 (36") 32 32W T8 (48") 40 40W T12 (48")		

Accessories

- Order as separate catalog number.
- SQ_** Swivel stem hanger (specify length in 2" increments)
 - 1B** Ceiling spacer (1-1/2" to 2-1/2" from ceiling)
 - HC36** Chain hangers (1 pair, 36" long)
 - THUN** Tong hanger
 - HRUNS1** Hooker® T-bar hanger (1-1/2" from ceiling)
 - CSMR48** Symmetric reflector, 4' white
 - CASR48** Asymmetric reflector 4' white
 - WGCUN** Wireguard, 4' white²

NOTES

- 1 Electronic ballast 120-277V. Must specify GEB10IS.
- 2 Order two for 8' fixtures. For strip channels only.

UNS Rapid Start

MOUNTING DATA

For unit or row installation, surface or suspended mounting. Use hanger appropriate for fixture width.

Unit installation — Minimum of two hangers required.

Row installation — One hanger per channel plus one per row required.

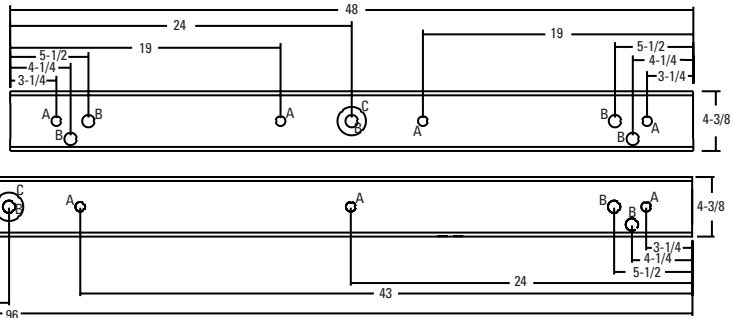
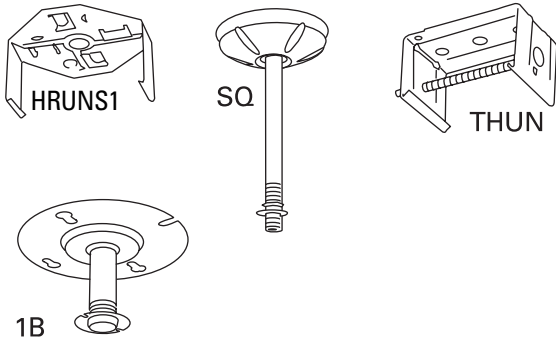
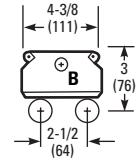
Hooker® (HRUNS1), HC36 and THUN Hangers — Minimum two per channel (unit and row).

See ACCESSORIES below for hanging devices.

DIMENSIONS

Inches (millimeters). Subject to change without notice.

A = 11/16 (18) Dia. K.O.
 B = 7/8 (22) Dia. K.O.
 C = 2 (51) Dia. K.O.



PHOTOMETRICS

Calculated using the zonal cavity method in accordance with IESNA LM41 procedure. Floor reflectances are 20%. Lamp configurations shown are typical. All data based on 25°C. Full photometric data on these and other configurations available upon request.

UNS 2 32

Report: **LTL12571**

LUMENS PER LAMP:**2900**

Luminaire Efficiency:92.8%

UNS 1 32

Report: **LTL12570**

LUMENS PER LAMP:**3050**

Luminaire Efficiency:93.3%

UNS 2 40

Report: **LTL12574**

LUMENS PER LAMP:**3200**

Luminaire Efficiency:90.0%

Coefficients of Utilization

R.C.R.	pf	20%										
		pc	80%			50%			30%			
			70%	50%	30%	50%	30%	10%	50%	30%	10%	
0	106	106	106	93	93	93	86	86	86			
1	94	89	84	78	74	71	71	68	66			
2	84	76	68	66	61	56	60	56	52			
3	76	65	57	57	51	45	52	47	42			
4	69	57	48	50	43	38	46	40	35			
5	63	51	42	44	37	32	41	35	30			
6	58	45	36	40	33	28	37	31	26			
7	54	41	32	36	29	24	33	27	23			
8	50	37	29	33	26	21	30	24	20			
9	46	34	26	30	23	19	28	22	18			
10	43	31	23	28	21	17	26	20	16			

Coefficients of Utilization

R.C.R.	pf	20%										
		pc	80%			50%			30%			
			70%	50%	30%	50%	30%	10%	50%	30%	10%	
0	108	108	108	95	95	95	88	88	88			
1	94	89	83	78	74	71	72	69	66			
2	85	75	68	66	61	56	61	56	52			
3	76	65	56	57	51	45	53	47	42			
4	69	57	48	50	43	38	46	40	35			
5	63	50	41	45	37	32	41	35	30			
6	58	45	36	40	33	27	37	31	26			
7	54	41	32	36	29	24	34	27	23			
8	50	37	28	33	26	21	31	25	20			
9	47	34	26	30	24	19	28	22	18			
10	44	31	23	28	21	17	26	20	16			

Coefficients of Utilization

R.C.R.	pf	20%										
		pc	80%			50%			30%			
			70%	50%	30%	50%	30%	10%	50%	30%	10%	
0	103	103	103	90	90	90	82	82	82			
1	91	86	82	75	72	69	68	66	63			
2	82	74	67	64	59	54	58	54	50			
3	74	64	56	55	49	44	50	45	41			
4	67	56	47	49	42	37	44	39	35			
5	62	49	41	43	37	31	39	34	29			
6	57	44	36	39	32	27	35	30	25			
7	52	40	31	35	28	24	32	26	22			
8	48	36	28	32	25	21	29	24	20			
9	45	33	25	29	23	19	27	21	18			
10	42	30	23	27	21	17	25	19	16			

Zonal Lumen Summary

Zone	Lumens	% Lamp	% Fixture
0° - 30°	842	14.5	15.6
0° - 40°	1436	24.8	26.7
0° - 60°	2810	48.4	52.2
0° - 90°	4363	75.2	81.0
90° - 180°	1021	17.6	19.0
0° - 180°	5384	92.8	100.0

Zonal Lumen Summary

Zone	Lumens	% Lamp	% Fixture
0° - 30°	455	14.9	16.0
0° - 40°	770	25.3	27.1
0° - 60°	1490	48.8	52.4
0° - 90°	2393	78.5	84.1
90° - 180°	452	14.8	15.9
0° - 180°	2846	93.3	100.0

Zonal Lumen Summary

Zone	Lumens	% Lamp	% Fixture
0° - 30°	907	14.2	15.7
0° - 40°	1545	24.1	26.8
0° - 60°	3019	47.2	52.4
0° - 90°	4586	71.6	79.6
90° - 180°	1175	18.4	20.4
0° - 180°	5760	90.0	100.0



Lithonia Lighting

Aquity Lighting Group, Inc.

Fluorescent

One Lithonia Way, Conyers, GA 30012

Phone: 770-922-9000, 800-858-7763, Fax: 770-929-8789

In Canada: 160 avenue Labosse, Point-Claire, P.Q. H9R 1A1
 www.lithonia.com