



FEATURES & SPECIFICATIONS

INTENDED USE

Intended for mounting heights up to 25' that require high light levels. Ideal for the medium to heavy-duty areas, warehousing, storage or task lighting.

CONSTRUCTION

Channel and embossed reflector constructed of die-formed cold rolled steel with longitudinal V-grooves in the channel for strength. Rotor style, locking lampholders with enclosed contacts and an audible click are standard with deep endplates that exceed the height of the lampholders. Available in 4', or 8' tandem wired lengths. Accepts plug-in option for 1, 2 or 3 primary circuits.

FINISH

Five-stage iron phosphate pretreatment ensuring superior paint adhesion and corrosion-resistance. Reflector and channel to be finished with a high-gloss baked white enamel. Reflector is painted after fabrication.

OPTICAL SYSTEM

Solid-top or apertured upright reflector is die-embossed, constructed of heavy-gauge cold rolled steel and painted after fabrication. Baked white enamel finish standard, porcelain is available.

ELECTRICAL SYSTEM

Thermally protected, resetting, Class P, HPF, non-PCB, UL listed, CSA certified ballast standard. Sound rating depends on lamp/ballast combination. AWM, TFN and THHN wire used throughout, rated for required temperatures.

INSTALLATION

For unit or row installations, surface or suspended mounting.

LISTING

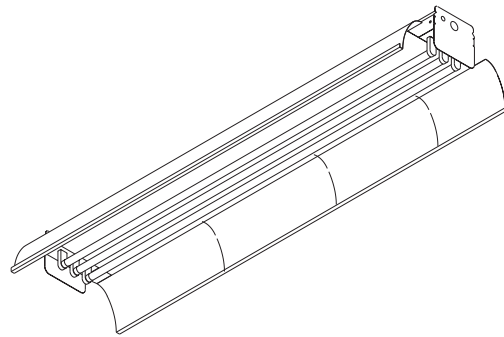
UL Listed (standard). CSA Certified or NOM Certified (see Options). UL Listed for damp locations.

Catalog Number	
Notes	Type

Heavy-Duty Industrial

AFP

High Output
4' or 8' Length
1, 2, or 3 Lamps



T5
Technology

Specifications

AFP HO

Length: 48" (121.9)
Width: 13-3/8" (33.97)
Depth: 6-5/8" (16.82)
Weight: 16.3lbs / 7.4kg

All dimensions are inches (millimeters).

ORDERING INFORMATION

Example: **AFP 2 54T5HO 120 GEB**

Series	Number of Lamps	Lamp Type	Voltage	Options
AFPST Solid reflector	1, 2, 3' Not included	48T8HO 44W 300mA T8 (48")	120, 277, 347, MVOLT Others available	ES Energy-saving ballasts (296 ballasts only)
AFP 10% uplight apertured reflector		54T5HO 54W T5 (46")		GEB Electronic ballasts, ≤20% THD
		96T8 59W T8 Slimline (96")		GEB10 Electronic ballasts, ≤10% THD

For tandem double-length unit, add prefix **T**.
Example: **TAFPST**

GEB10PS Electronic ballasts, ≤10% THD, program start
CW Cold weather ballasts, 0°F starting
EL14 Emergency battery pack (nominal 1400 lumens). See Life Safety Section.
EL55 Emergency battery pack (nominal 390-700 lumens). See Fluorescent Battery Pack Section.
GLR Internal fast-blow fuse (add X for external)
GMF Internal slow-blow fuse (add X for external)
CS1 6' cordset, NEMA 5-15P SJT, U-ground plug, 120V
CS7 6' cordset, NEMA 5-15P SJT, U-ground plug, 277V
CS3 6' cordset, NEMA L5-15P SJT, twist-lock plug, 120V.
CS11 6' cordset, NEMA L5-15P SJT, twist-lock plug, 277V
PLF_ Plug-in wiring. Specify 1, 2 or 3 branch circuits & hot wires (A =Black, B =Red, C =Blue, AB or AC)
TILW Tandem in-line wiring
PO White porcelain reflector finish
SSR Specular silver reflector finish (95% reflective).
CSA CSA Certified
NOM NOM Certified
SW Palletized and stretch-wrapped.
JP Job palletized without individual cartons.

Accessories

Order as separate catalog number.

ACEP Full-depth endplates (1 pair)
HRUN Hooker® T-bar hanger for 5" channel (flush to ceiling)
HRUN1 Hooker® T-bar hanger for 5" channel (1-1/2" from ceiling)
SQ_ Swivel-stem hanger (specify length in 2" increments)
1B Ceiling spacer (adjusts from 1-1/2" to 2-1/2" from ceiling)
HC36 Chain hangers (1 pair, 36" long)
THUN Tong hanger for 5" channel
WGAFPV Wireguard, 4' white, for AF or PV (order 2 for 8' fixtures)
DLAF ME 4' 30°x 30° metal eggcrate louver (order 2 for 8' fixtures)
DLAF A12 4' framed acrylic prismatic lens, (order 2 for 8' fixtures)

NOTES:
1 T5 and T8 lamps only.

AFP High Output

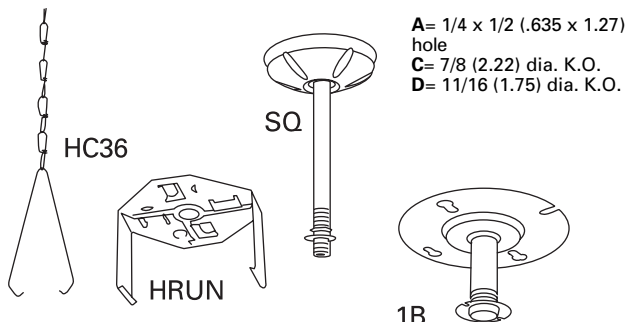
MOUNTING DATA

For unit or row installation. Surface or suspended mounting.

UNIT INSTALLATION — two hanging devices per fixture required

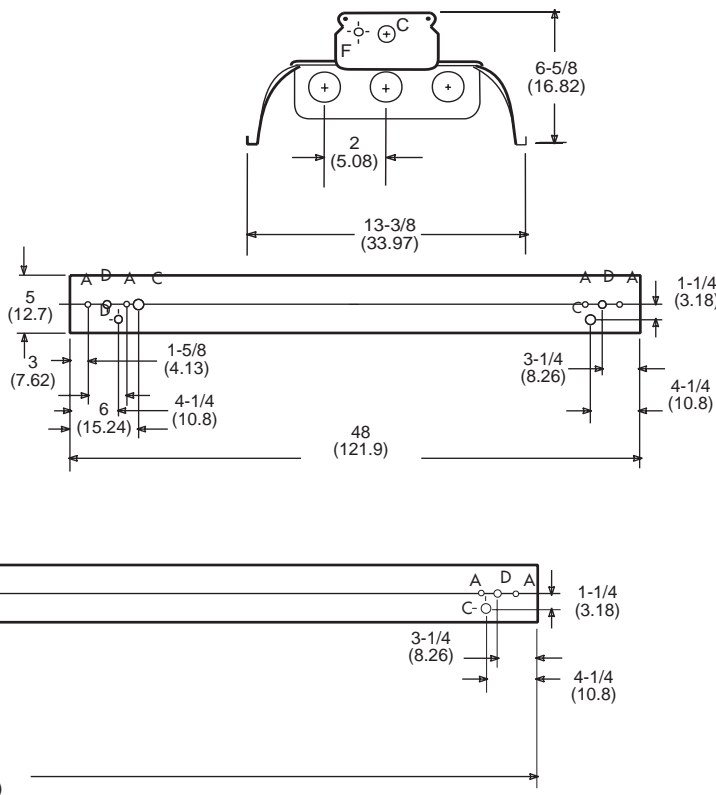
ROW INSTALLATION — one hanging device per fixture plus one per row required

HOKKER® (HRUN) and HC Hangers — minimum two per channel (unit and row)



DIMENSIONS

Inches (centimeters). Subject to change without notice.



PHOTOMETRICS

Calculated using the zonal cavity method in accordance with IESNA LM41 procedure. Floor reflectances are 20%. Lamp configurations shown are typical. Full photometric data on these and other configurations available upon request.

AFPST 2 54T5HO Test No. LTL 9790

Ceiling Wall	COEFFICIENT OF UTILIZATION									
	80%			70%			50%			
	70%	50%	30%	70%	50%	30%	50%	30%	10%	
1	116	116	116	113	113	113	108	108	108	
2	105	100	96	103	98	94	94	91	88	
3	87	76	68	93	85	79	82	76	72	
4	79	67	58	77	66	57	63	56	50	
5	72	60	51	70	58	50	56	49	43	
10	50	37	29	49	36	29	35	28	24	

ZONAL LUMENS SUMMARY

Zone	Lumens	%Lamp	%Fixture
0-30	2119	23.8	24.5
0-40	3563	40.0	41.2
0-60	6694	75.2	77.5
0-90	8639	97.1	100.0
90-180	0.0	0.0	0.0
0-180	8639	97.1	100.0

AFP 2 54T5HO Test No. LTL 9791

Ceiling Wall	COEFFICIENT OF UTILIZATION									
	80%			70%			50%			
	70%	50%	30%	70%	50%	30%	50%	30%	10%	
1	104	99	95	100	96	92	89	86	83	
2	94	86	79	90	83	77	77	72	68	
3	85	75	66	82	72	65	68	61	56	
4	78	66	57	74	64	55	60	53	47	
5	71	58	49	68	56	48	56	46	40	
10	49	36	28	47	35	27	33	26	22	

ZONAL LUMENS SUMMARY

Zone	Lumens	%Lamp	%Fixture
0-30	1801	20.2	20.6
0-40	3064	34.4	35.1
0-60	5909	66.4	67.6
0-90	7727	86.8	88.4
90-180	1015	11.4	11.6
0-180	8742	98.2	100.0

Energy (Calculated in accordance with NEMA Standard LE-5)

LER.FL	ANNUAL*		LAMP DESCRIPTION	LAMP LUMENS	BALLAST FACTOR	WATTS
	ENERGY COST					
High Output T5	72	\$3.31	F54T5HO	4,450	1	117

*Based on 3000 hrs./year at .08/kwh



An AcuityBrands Company

Lithonia Lighting

Acuity Lighting Group, Inc.

Fluorescent Lighting

One Lithonia Way, Conyers, GA 30012

Phone: 800-315-4693, Fax: 770-602-1531

In Canada: 1100 50th Ave., Lachine, Quebec H8T 2V3

www.lithonia.com