



# Standard Specification for Magnesium-Alloy Sand Castings<sup>1</sup>

This standard is issued under the fixed designation B 80; the number immediately following the designation indicates the year of original adoption or, in the case of revision, the year of last revision. A number in parentheses indicates the year of last reapproval. A superscript epsilon (ε) indicates an editorial change since the last revision or reapproval.

*This standard has been approved for use by agencies of the Department of Defense.*

<sup>ε1</sup> NOTE—Changes were made to Table 1 editorially November 2002.

## 1. Scope

1.1 This specification covers magnesium-alloy sand castings designated as shown in Table 1.

1.2 The values stated in inch-pound units are to be regarded as the standard. The SI values in parentheses are provided for information only.

## 2. Referenced Documents

2.1 The following documents of the issue in effect on date of order acceptance form a part of this specification to the extent referenced herein:

### 2.2 ASTM Standards:

B 93/B93M Specification for Magnesium Alloys in Ingot Form for Sand Castings, Permanent Mold Castings, and Die Castings<sup>2</sup>

B 275 Practice for Codification of Certain Nonferrous Metals and Alloys, Cast and Wrought<sup>2</sup>

B 296 Practice for Temper Designations of Magnesium Alloys, Cast and Wrought<sup>2</sup>

B 557 Test Methods of Tension Testing Wrought and Cast Aluminum- and Magnesium-Alloy Products<sup>2</sup>

B 660 Practices for Packaging/Packing of Aluminum and Magnesium Products<sup>2</sup>

B 661 Practice for Heat Treatment of Magnesium Alloys<sup>2</sup>

E 29 Practice for Using Significant Digits in Test Data to Determine Conformance with Specifications<sup>3</sup>

E 35 Test Methods for Chemical Analysis of Magnesium and Magnesium Alloys<sup>4</sup>

E 88 Practice for Sampling Nonferrous Metals and Alloys in Cast Form for Determination of Chemical Composition<sup>4</sup>

E 94 Guide for Radiographic Testing<sup>5</sup>

E 155 Reference Radiographs for Inspection of Aluminum

and Magnesium Castings<sup>5</sup>

E 165 Test Method for Liquid Penetrant Examination Method<sup>5</sup>

E 527 Practice for Numbering Metals and Alloys (UNS)<sup>6</sup>

E 716 Practices for Sampling Aluminum and Aluminum Alloys for Spectrochemical Analysis<sup>7</sup>

### 2.3 Federal Standards:

Fed. Std. No. 123 Marking for Shipment (Civil Agencies)<sup>8</sup>

Fed. Std. No. 184 Identification Marking of Aluminum, Magnesium and Titanium<sup>8</sup>

### 2.4 Military Standards:

MIL-STD-129 Marking for Shipment and Storage (Military Agencies)<sup>8</sup>

MIL-STD-276 Impregnation of Porous Non-ferrous Metal Castings<sup>8</sup>

MIL-I-13857 Impregnation of Metal Castings<sup>8</sup>

MIL-M-46062 Magnesium Alloy Castings, High Strength<sup>8</sup>

MIL-M-6857 Heat Treatment of Magnesium Alloy Castings<sup>8</sup>

### 2.5 ANSI Standard:<sup>9</sup>

ANSI Z1.4 Sampling Procedures and Tables for Inspection by Attributes

## 3. Terminology

### 3.1 Definitions:

3.1.1 *casting lot*—unless otherwise agreed, shall consist of not more than 1000 pounds of cleaned castings from the same melt or heat, except where this weight limit may be exceeded by a single casting. In such cases, each casting shall be considered a lot.

3.1.2 *heat treat lot*—for the purpose of mechanical property testing, a lot shall consist of all castings heat treated in the same furnace charge to the same temper.

3.1.3 *sand casting*—metal object produced by pouring molten metal into a sand mold and allowing it to solidify.

<sup>1</sup> This specification is under the jurisdiction of ASTM Committee B07 on Light Metals and Alloys, and is the direct responsibility of Subcommittee B07.04 on Magnesium Alloy Cast and Wrought Products.

Current edition approved Apr. 10, 2001. Published May 2001. Originally published as B 80 – 30 T. Last previous edition B 80 – 97.

<sup>2</sup> *Annual Book of ASTM Standards*, Vol 02.02.

<sup>3</sup> *Annual Book of ASTM Standards*, Vol 14.02.

<sup>4</sup> *Annual Book of ASTM Standards*, Vol 03.05.

<sup>5</sup> *Annual Book of ASTM Standards*, Vol 03.03.

<sup>6</sup> *Annual Book of ASTM Standards*, Vol 01.01.

<sup>7</sup> *Annual Book of ASTM Standards*, Vol 03.06.

<sup>8</sup> Available from Standardization Documents, Order Desk, Bldg. 4, Section D, 700 Robbins Ave., Philadelphia, PA 19111-5094, ATTN: NPODS.

<sup>9</sup> Available from American National Standards Institute, 11 W. 42nd St., 13th Floor, New York, NY 10036.

**TABLE 1 Chemical Requirements<sup>A</sup>**

NOTE 1—Analysis shall regularly be made only for the elements specifically mentioned in this table. If, however, the presence of other elements is suspected or indicated in amounts greater than the specified limits, further analysis shall be made to determine that these elements are not present in excess of the specified limits.

NOTE 2—The following applies to all specified limits in this table: For purposes of acceptance and rejection, an observed value or a calculated value obtained from analysis shall be rounded to the nearest unit in the last right-hand place of figures used in expressing the specified limit.

| Alloy Number <sup>B</sup> |                     | Composition %      |                |               |                |                   |                        |                      |           |         |           |        |                                            |                                       |
|---------------------------|---------------------|--------------------|----------------|---------------|----------------|-------------------|------------------------|----------------------|-----------|---------|-----------|--------|--------------------------------------------|---------------------------------------|
| ASTM                      | UNS                 | Iron               | Magne-<br>sium | Alu-<br>minum | Man-<br>ganese | Zinc              | Yttrium <sup>C †</sup> | Rare<br>Earths       | Zirconium | Silicon | Copper    | Nickel | Others<br>(Metallic<br>Impurities)<br>Each | Total <sup>D</sup><br>Impu-<br>rities |
| AM100A                    | M10100              | ...                | remainder      | 9.3–10.7      | 0.10–0.35      | 0.30              | ...                    | ...                  | ...       | 0.30    | 0.10      | 0.01   | ...                                        | 0.30                                  |
| AZ63A                     | M11630              | ...                | remainder      | 5.3–6.7       | 0.15–0.35      | 2.5–3.5           | ...                    | ...                  | ...       | 0.30    | 0.25      | 0.01   | ...                                        | 0.30                                  |
| AZ81A                     | M11810              | ...                | remainder      | 7.0–8.1       | 0.13–0.35      | 0.40–1.0          | ...                    | ...                  | ...       | 0.30    | 0.10      | 0.01   | ...                                        | 0.30                                  |
| AZ91C                     | M11914              | ...                | remainder      | 8.1–9.3       | 0.13–0.35      | 0.40–1.0          | ...                    | ...                  | ...       | 0.30    | 0.10      | 0.01   | ...                                        | 0.30                                  |
| AZ91E                     | M11919              | 0.005 <sup>E</sup> | remainder      | 8.1–9.3       | 0.17–0.35      | 0.40–1.0          | ...                    | ...                  | ...       | 0.20    | 0.015     | 0.0010 | 0.01                                       | 0.30                                  |
| AZ92A                     | M11920              | ...                | remainder      | 8.3–9.7       | 0.10–0.35      | 1.6–2.4           | ...                    | ...                  | ...       | 0.30    | 0.25      | 0.01   | ...                                        | 0.30                                  |
| EQ21A <sup>F</sup>        | M18330              | ...                | remainder      | ...           | ...            | ...               | ...                    | 1.5–3.0 <sup>G</sup> | 0.40–1.0  | ...     | 0.05–0.10 | 0.01   | ...                                        | 0.30                                  |
| EZ33A                     | M12330              | ...                | remainder      | ...           | ...            | 2.0–3.1           | ...                    | 2.5–4.0              | 0.50–1.0  | ...     | 0.10      | 0.01   | ...                                        | 0.30                                  |
| K1A                       | M18010              | ...                | remainder      | ...           | ...            | ...               | ...                    | ...                  | 0.40–1.0  | ...     | ...       | ...    | ...                                        | 0.30                                  |
| QE22A <sup>H</sup>        | M18220 <sup>H</sup> | ...                | remainder      | ...           | ...            | ...               | ...                    | 1.8–2.5 <sup>G</sup> | 0.40–1.0  | ...     | 0.10      | 0.01   | ...                                        | 0.30                                  |
| WE43A                     | M18430              | 0.01               | remainder      | ...           | 0.15           | 0.20              | 3.7–4.3                | 2.4–4.4 <sup>I</sup> | 0.40–1.0  | 0.01    | 0.03      | 0.005  | 0.2                                        | ...                                   |
| WE43B                     | M18432              | 0.010              | remainder      | ...           | 0.03           | 0.20 <sup>J</sup> | 3.7–4.3                | 2.4–4.4 <sup>I</sup> | 0.40–1.0  | ...     | 0.02      | 0.005  | 0.01 <sup>K</sup>                          | ...                                   |
| WE54A                     | M18410              | ...                | remainder      | ...           | 0.03           | 0.20              | 4.75–5.5               | 1.5–4.0 <sup>I</sup> | 0.40–1.0  | 0.01    | 0.03      | 0.005  | 0.20                                       | ...                                   |
| ZC63A                     | M16331              | ...                | remainder      | ...           | 0.25–0.75      | 5.5–6.5           | ...                    | ...                  | ...       | 0.20    | 2.4–3.0   | 0.01   | ...                                        | 0.30                                  |
| ZE41A                     | M16410              | ...                | remainder      | ...           | 0.15           | 3.5–5.0           | ...                    | 0.75–1.75            | 0.40–1.0  | ...     | 0.10      | 0.01   | ...                                        | 0.30                                  |
| ZE63A                     | M16630              | ...                | remainder      | ...           | ...            | 5.5–6.0           | ...                    | 2.1–3.0              | 0.40–1.0  | ...     | 0.10      | 0.01   | ...                                        | 0.30                                  |
| ZK51A                     | M16510              | ...                | remainder      | ...           | ...            | 3.6–5.5           | ...                    | ...                  | 0.50–1.0  | ...     | 0.10      | 0.01   | ...                                        | 0.30                                  |
| ZK61A                     | M16610              | ...                | remainder      | ...           | ...            | 5.5–6.5           | ...                    | ...                  | 0.6–1.0   | ...     | 0.10      | 0.01   | ...                                        | 0.30                                  |

<sup>A</sup>Limits are in weight % max unless shown as a range or stated otherwise.

<sup>B</sup>ASTM alloy designations were established in accordance with Practice B 275. UNS designations were established in accordance with Practice E 527.

<sup>C †</sup>Editorially corrected.

<sup>D</sup>Includes listed elements for when no specific limit is shown.

<sup>E</sup>If iron exceeds 0.005 %, the iron to manganese ratio shall not exceed 0.032.

<sup>F</sup>Silver content for alloy EQ21A shall be 1.3 to 1.7 %.

<sup>G</sup>Rare earth elements are in the form of didymium, with not less than 70 % neodymium, and the remainder substantially praeosodymium.

<sup>H</sup>Silver content for alloy QE22A shall be 2.0 to 3.0 %.

<sup>I</sup>Rare earths are 2.0 to 2.5, 2.0 to 2.5, and 1.5 to 2.0 % Neodymium for WE43A, WE43B, and WE54A, respectively, the remainder being principally <sup>C †</sup> heavy rare earths.

<sup>J</sup>Zinc + Silver shall not exceed this value.

<sup>K</sup>Lithium shall not exceed 0.2 %.

#### 4. Ordering Information

4.1 Orders for castings under this specification shall include the following information:

- 4.1.1 Applicable drawing or part number,
- 4.1.2 Quantity of each casting,
- 4.1.3 Specification number and title,
- 4.1.4 Alloy (Section 9 and Table 1),
- 4.1.5 Temper (Section 11, Table 2 and X1.2),
- 4.1.6 Whether foundry control is required (Section 8),
- 4.1.7 Whether test specimens cut from castings are required in addition to, or instead of, separately cast test specimens (Section 12 and Table X1.2),
- 4.1.8 Whether liquid penetrant inspection is required (15.2),
- 4.1.9 Whether radiographic inspection is required (15.3),
- 4.1.10 Whether pressure testing is required (15.4),
- 4.1.11 Whether source inspection is required (Section 17),
- 4.1.12 Whether repairs are permissible (Section 19),
- 4.1.13 Whether chemical analysis and mechanical property reports or certifications, or both, are required (Section 20),
- 4.1.14 Whether special packaging is required for shipment (Section 22).

#### 5. Responsibility for Quality Assurance

5.1 *Responsibility for Inspection*—Unless otherwise specified in the contract or purchase order, the supplier is respon-

sible for the performance of all inspection requirements as specified herein. Except as otherwise specified in the contract or order, the supplier may use his own or any other facilities suitable for the performance of the inspection requirements specified herein, unless disapproved by the purchaser. The purchaser reserves the right to perform any of the inspections set forth in the specification where such inspections are deemed necessary to ensure supplies and services conform to prescribed requirements.

#### 6. Material Requirements

6.1 Unless otherwise specified, only magnesium alloy ingots or producer's foundry scrap conforming to Specification B 93 shall be used for pouring castings. Additions of small amounts of grain refining elements and material for melt process losses are permitted.

6.2 Pure materials and master alloys may be used provided chemical analysis verifying conformance to Table 1 is done prior to pouring any castings.

#### 7. Manufacture

7.1 The responsibility of furnishing castings that can be laid out and machined to the finished dimensions within the permissible variations specified, as shown on the blueprints or drawings, shall rest with the supplier, except when pattern

**TABLE 2 Tensile Requirements**

NOTE 1—For purposes of determining conformance with this specification, each value for tensile strength and yield strength shall be rounded to the nearest 0.1 ksi and each value for elongation shall be rounded to the nearest 0.5 %, both in accordance with the rounding method of Practice E 29.

| Alloy Number |        | Temper <sup>A</sup> | Tensile Strength, min,<br>ksi (MPa) | Yield Strength <sup>B</sup> (0.2 %<br>offset), min, ksi (MPa) | Elongation in 2 in., (50.8<br>mm) min, % |
|--------------|--------|---------------------|-------------------------------------|---------------------------------------------------------------|------------------------------------------|
| ASTM         | UNS    |                     |                                     |                                                               |                                          |
| AM100A       | M10100 | T6                  | 35.0(241)                           | 17.0(117)                                                     | <sup>C</sup>                             |
| AZ63A        | M11630 | F                   | 26.0(179)                           | 11.0(76)                                                      | 4                                        |
|              |        | T4                  | 34.0(234)                           | 11.0(76)                                                      | 7                                        |
|              |        | T5                  | 26.0(179)                           | 12.0(83)                                                      | 2                                        |
|              |        | T6                  | 34.0(234)                           | 16.0(110)                                                     | 3                                        |
| AZ81A        | M11810 | T4                  | 34.0(234)                           | 11.0(76)                                                      | 7                                        |
| AZ91C        | M11914 | F                   | 23.0(158)                           | 11.0(76)                                                      | <sup>C</sup>                             |
|              |        | T4                  | 34.0(234)                           | 11.0(76)                                                      | 7                                        |
|              |        | T5                  | 23.0(158)                           | 12.0(83)                                                      | 2                                        |
|              |        | T6                  | 34.0(234)                           | 16.0(110)                                                     | 3                                        |
| AZ91E        | M11919 | T6                  | 34.0(234)                           | 16.0(110)                                                     | 3                                        |
| AZ92A        | M11920 | F                   | 23.0(158)                           | 11.0(76)                                                      | <sup>C</sup>                             |
|              |        | T4                  | 34.0(234)                           | 11.0(76)                                                      | 6                                        |
|              |        | T5                  | 23.0(158)                           | 12.0(83)                                                      | <sup>C</sup>                             |
|              |        | T6                  | 34.0(234)                           | 18.0(124)                                                     | 1                                        |
| EQ21A        | M18330 | T6                  | 34.0(234)                           | 25.0(172)                                                     | 2                                        |
| EZ33A        | M12330 | T5                  | 20.0(138)                           | 14.0(96)                                                      | 2                                        |
| K1A          | M18010 | F                   | 24.0(165)                           | 6.0(41)                                                       | 14                                       |
| QE22A        | M18220 | T6                  | 35.0(241)                           | 25.0(172)                                                     | 2                                        |
| WE43A        | M18430 | T6                  | 32.0(221)                           | 25.0(172)                                                     | 2                                        |
| WE43B        | M18432 | T6                  | 32.0(221)                           | 25.0(172)                                                     | 2                                        |
| WE54A        | M18410 | T6                  | 37.0(255)                           | 26.0(179)                                                     | 2                                        |
| ZC63A        | M16331 | T6                  | 28.0(193)                           | 18.0(125)                                                     | 2                                        |
| ZE41A        | M16410 | T5                  | 29.0(200)                           | 19.5(133)                                                     | 2.5                                      |
| ZE63A        | M16630 | T6                  | 40.0(276)                           | 27.0(186)                                                     | 5                                        |
| ZK51A        | M16510 | T5                  | 34.0(234)                           | 20.0(138)                                                     | 5                                        |
| ZK61A        | M16610 | T6                  | 40.0(276)                           | 26.0(179)                                                     | 5                                        |

<sup>A</sup>These temper designations were established in accordance with Practice B 296.

<sup>B</sup>See X1.4.1.

<sup>C</sup>Not required.

equipment is furnished by the purchaser. Sufficient stock shall be allowed for shrinkage, and where requested, for finishing; but castings of excessive weight shall not be furnished.

7.2 The castings may be subjected to such heat treatment as deemed necessary to produce material that will conform to the requirements specified. Heat treatment shall be performed on the whole of a casting, never on a part only, and shall be applied in a manner that will produce the utmost uniformity.

NOTE 1—Alloy ZE63A requires solution heat treatment in hydrogen as explained in X1.1.12.

## 8. Foundry Control

8.1 When specified, castings shall be produced under foundry control approved by the purchaser. Foundry control shall consist of examination of the castings by radiographic or other approved methods for determining internal discontinuities until the gating, pouring, and other foundry practices have been established to produce castings meeting the quality standards set by purchaser or agreed to between the purchaser and the producer. When foundry practices have been so established, the production method shall not be significantly changed without demonstrating to the satisfaction of the purchaser that the change does not adversely affect the quality of the castings. Minor changes in pouring temperature of  $\pm 50^{\circ}\text{F}$  from the established nominal temperature are permissible.

## 9. Chemical Composition Requirements

9.1 *Limits*—The castings shall conform to the chemical composition limits prescribed in Table 1. Conformance shall be

determined by analyzing samples taken when the castings are poured, or by analyzing samples taken from the finished product. If the chemical composition has been determined during the course of manufacture, sampling and analysis of the finished product shall not be necessary.

## 10. Sampling for Chemical Composition

10.1 For determination of chemical composition, one sample of each casting lot shall be taken in accordance with Practice E 88 for chemical analysis or Practice E 716 for spectrochemical analysis.

10.1.1 Samples for other methods of chemical analysis shall be suitable for the form of material being analyzed and the type of analytical method used. In case of dispute, analyses should be made by methods given in Methods E 35.

## 11. Heat Treatment

11.1 Unless otherwise specified, heat treatment for the applicable tempers designated in Table 2 and X1.2 shall be in accordance with Military Specification MIL-M-6857 or Practice B 661. Heat treatment shall be performed on the whole casting and never on a portion.

11.2 Each heat treat furnace charge shall contain at least one set of test bars of the same composition range as the castings. The satisfactory heat treatment of the furnace charge shall be determined by the results from these test bars, which must conform to the requirements of Table 2 or Table X1.2 where required.

## 12. Tensile Requirements

12.1 *Limits*—The tension test specimens representing the

castings shall conform to the requirements of Table 2.

12.2 *Number of Tests*—At least one tension test specimen shall be tested from each casting lot, or fraction thereof, to represent the castings poured from the same melt. If the castings are to be heat treated, the specimens shall be heat treated with production castings of the same alloy and in the same temper as the specimens. The specimens shall then be tested to judge the ability of their corresponding melts to respond to the type of heat treatment to which the specimens were subjected.

12.2.1 *Test Specimens*—The tension test specimens shall be separately cast in the system sand mix in use and shall be cast to size in accordance with the dimensions shown in Fig. 1 or Fig. 2.

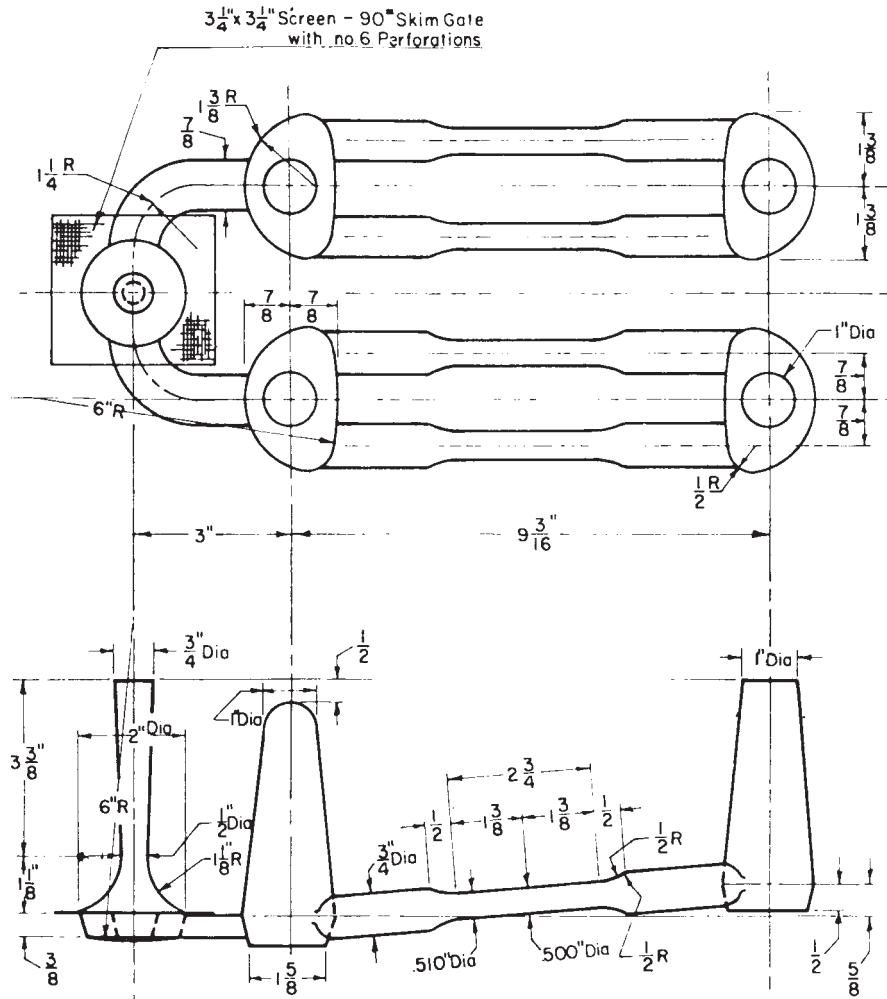
12.3 When specified, the tensile strength and yield strength values of specimens cut from castings shall conform to Table

X1.2. Elongation values shall not be less than 25 % of the values specified in Table 2.

12.3.1 When tensile properties of castings are to be determined, tension test specimens shall be cut from the locations designated on the drawing. If no locations are designated, specimens shall be taken from each test casting to include at least one from the thinnest and one from thickest section of the casting. At least three specimens are required.

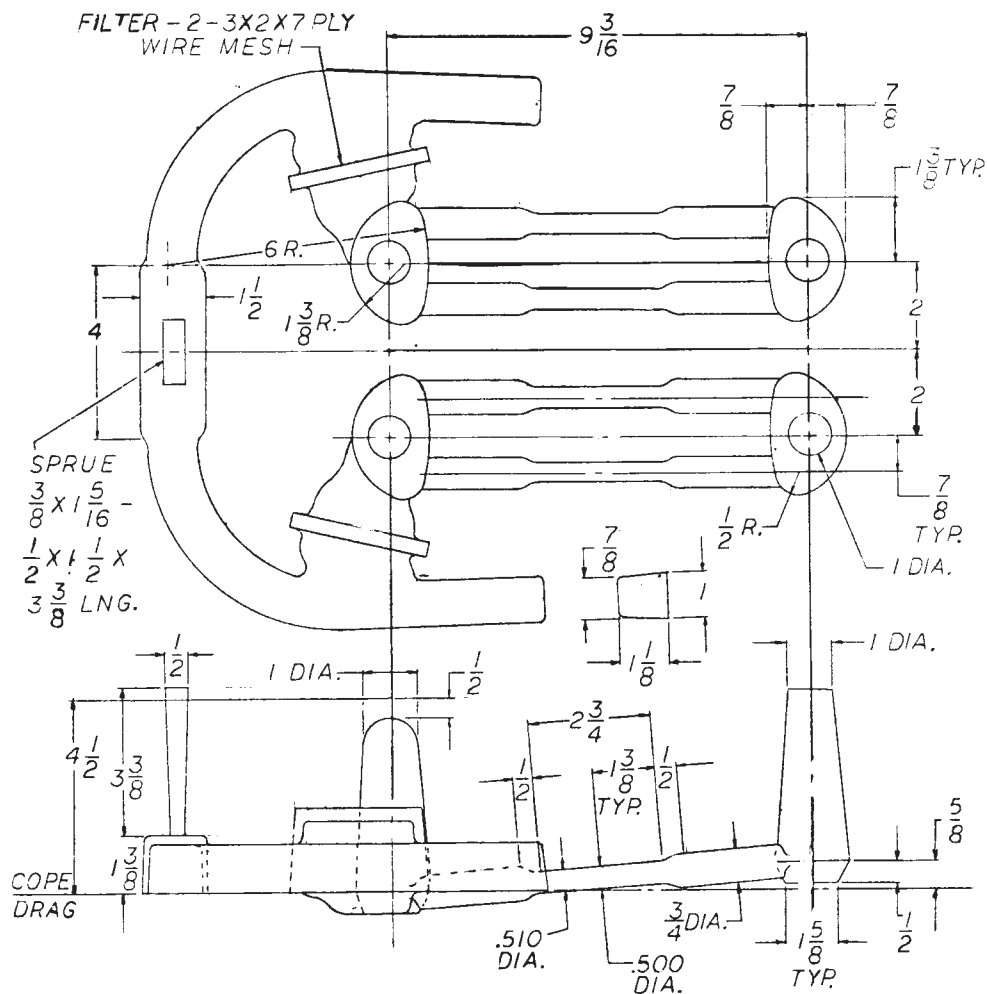
12.3.2 The machined tension test specimen shall be the standard 0.500 in. diameter specimen or the largest smaller size specimen proportional to the standard specimen shown in Fig. 8 of Test Methods B 557.

12.3.3 Where a round specimen is not feasible a standard 1/2 in. wide rectangular specimen shown in Fig. 6 of Test Methods B 557 may be used, but in no case shall its area be less than that of the sub size 1/4 in. wide specimen.



| Metric Equivalents |       |       |      |       |       |        |       |
|--------------------|-------|-------|------|-------|-------|--------|-------|
| in.                | mm    | in.   | mm   | in.   | mm    | in.    | mm    |
| 0.500              | 12.70 | 7/8   | 22.2 | 1 1/8 | 34.9  | 3      | 76.2  |
| 0.510              | 12.95 | 1     | 25.4 | 1 1/8 | 41.37 | 3 1/4  | 82.5  |
| 3/8                | 9.5   | 1 1/8 | 28.6 | 2     | 50.8  | 6      | 152.4 |
| 1/2                | 12.7  | 1 1/4 | 31.8 | 2 3/4 | 69.8  | 9 3/16 | 233.4 |
| 5/8                | 15.9  |       |      |       |       |        |       |

FIG. 1 AFS Test Bar for Sand-Cast Magnesium Alloys



NOTE 1—This test bar mold is particularly suitable for those magnesium alloys containing Zr.

FIG. 2 Proposed Gating System for ASTM Magnesium Test Bars

12.4 If any tension test specimen is improperly machined or shows flaws upon testing, it may be discarded and another specimen for the same heat or melt used instead. If no additional specimen is available, the supplier and the purchaser shall agree on an alternative procedure.

12.5 *Test Methods*—The tension tests shall be made in accordance with Test Methods B 557.

12.6 *Mechanical properties at 400 to 500°F*—Alloys EQ21A, EZ33A, QE22A, WE54A, WE43A and WE43B shall be capable of meeting the requirements shown in Table X1.2 when tested in the following manner. Tensile test specimens shall be heated to 400 to 500°F ± 5°F, as applicable, held for 10 min before testing and loaded at this temperature at a rate of 0.005 in./in./min up to the yield strength, and at a rate of 0.10 in./in./min above the yield strength.

### 13. Special Test Methods

13.1 When the castings have critical functional requirements, special tests to simulate the stress conditions incurred in service may be requested. The requirements and methods of these tests shall be as agreed upon between the producer and the purchaser.

### 14. Finish

14.1 The finished castings shall be uniform in quality, free of injurious blowholes, porosity, shrinkage, cracks and other discontinuities except as designated and agreed upon as acceptable by the purchaser.

14.2 Unless otherwise specified, the castings shall be chrome-pickled prior to shipment (see X1.5).

### 15. Foundry Inspection

15.1 Requirements of surface finish parting lines, and removal of gates and risers may be checked visually. It is advisable to have mutually agreed upon observational standards to represent acceptable material.

#### 15.2 Liquid Penetrant Inspection:

15.2.1 When specified liquid penetrant inspection shall be in accordance with Practice E 165, and the required sensitivity shall be specified.

15.2.2 Acceptance standards for discontinuities shall be agreed upon, including size and frequency per unit area and location.

#### 15.3 Radiographic Inspection:

15.3.1 When specified, radiographic inspection shall be in

accordance with Guide E 94 and Reference Radiographs E 155 to determine soundness. Areas of the casting subject to soundness requirements shall be specified by the purchaser. It is advisable to document an agreed upon radiographic technique including source parameters, film size, and orientation of the radiographs.

15.3.2 Radiographic acceptance shall be in accordance with requirements selected from Table 3. Any modifications of this table and the frequency per unit area and location should also be agreed upon between the producer and purchaser.

15.4 When specified, the castings shall be subject to hydrostatic or aerostatic pressure as required. Acceptance pressure and allowable leak rates shall be specified by the purchaser.

NOTE 2—**Warning:** Take appropriate safety precautions to protect inspectors prior to any pressure application.

## 16. Sampling for Foundry Inspection

16.1 For the purpose of visual and dimensional examination, casting lots may be combined up to a maximum of 5000 lbs. From this accumulated lot, a sample shall be selected at random in accordance with the tables of ANSI Z1.4 at inspection level II, with lot acceptance and rejection based on acceptable quality level (AQL) equal to 1.5 % defective. When the accumulation of lots is not practical, the sample shall be selected from each casting lot. Samples selected for dimensional examination may be the same as those selected for visual examination, but the determination of acceptance or rejection shall not be based on the cumulative sample for both characteristics.

16.2 For the purpose of liquid penetrant or radiographic inspection, a random sample of castings shall be selected from each casting lot. The number of castings selected shall be in accordance with ANSI Z1.4 at inspection quality level II with lot acceptance and rejection based on AQL of 0.65 % defective.

16.3 Sampling for hydrostatic and aerostatic pressure tests shall be as specified by the purchaser.

16.4 Modifications of the above sampling plans must be agreed upon between the producer and the purchaser.

## 17. Source Inspection

17.1 If the purchaser desires that inspection be made at the supplier's works where the material is made, it shall be so stated in the contract or purchase order.

17.1.1 If the purchaser elects to have the inspection made at the supplier's works, the supplier shall afford the inspector representing the purchaser all reasonable facilities to satisfy

him that the material is being furnished in accordance with this specification. All tests and inspection shall be so conducted as not to interfere unnecessarily with the operation of the works.

## 18. Rejection, Retest and Rehearing

18.1 Material failing to conform to the requirements of this specification, or in which defects are found during subsequent manufacturing operations, may be rejected. If rejected, the supplier shall be responsible only for replacement of the material to the purchaser. As much as possible of the rejected original material shall be returned to the supplier.

18.1.1 Any sample unit containing one or more characteristics which fail to meet any of the requirements of this standard shall be rejected. If the number of defective units in any sample exceeds the acceptance number specified for that sample size, the entire lot represented by the sample shall be rejected.

18.1.2 A rejected lot may be screened by 100 % inspection for the rejectable item and resubmitted for acceptance inspections. Any deviation from this procedure must be approved by the purchaser.

18.2 *Retests*—If the results of the tension tests of alloys in heat-treated tempers do not conform to the requirements prescribed in Table 2 or Table X1.2, the castings may be reheat treated but not more than twice. The results of acceptable tests shall conform to the requirements as to tensile properties specified in Table 2 or Table X1.2.

18.3 In the case of dissatisfaction regarding rejections, the producer may make a claim for rehearing as the basis for arbitration within a reasonable time after receipt by the producer of the rejection notification.

## 19. Repair of Castings

19.1 Castings shall not be repaired by welding, impregnation, peening, excess blendings resulting in out of drawing tolerance dimension, or other methods without permission of the purchaser. Soldering shall not be performed under any conditions. Limitations on the extent and frequency of repairs, and methods of inspection of repaired areas shall be as agreed upon by the producer and purchaser. Repaired castings shall be re-examined in accordance with the applicable areas of the drawings, specifications and directives and shall fully comply with all the requirements of this standard.

19.2 *Welding*—When welding is permitted, it shall be done by methods suitable for the particular alloy. Welding methods shall be in accordance with such specifications as are referenced on the applicable drawings, or as are required by the

**TABLE 3 Discontinuity-Level Requirements for Magnesium Sand Castings (Reference Radiographs E 155)**

| Discontinuity                 | Grade A |     | Grade B |                               | Grade C |      | Grade D |                                 |
|-------------------------------|---------|-----|---------|-------------------------------|---------|------|---------|---------------------------------|
|                               | 1/4     | 3/4 | 1/4     | Section Thickness, in.<br>3/4 | 1/4     | 3/4  | 1/4     | 3/4                             |
| Gas holes                     | none    |     | 1       | 1                             | 2       | 2    | 5       | 5                               |
| Microshrinkage (feathery)     | none    |     | 1       | 1                             | 2       | 2    | 4       | 3                               |
| Microshrinkage (sponge)       | none    |     | 1       | 1                             | 2       | 2    | 4       | 3                               |
| Foreign material (less dense) | none    |     | 1       | 1                             | 2       | 2    | 4       | 4                               |
| Foreign material (more dense) | none    |     | 1       | 1                             | 2       | 2    | 4       | 3                               |
| Cracks                        | none    |     |         | none                          |         | none |         | none                            |
| Cold shuts                    | none    |     |         | none                          |         | none |         | none                            |
| Surface irregularity          |         |     |         |                               |         |      |         | not to exceed drawing tolerance |
| Core shift                    |         |     |         |                               |         |      |         | not to exceed drawing tolerance |

contract or order. Periodic checks of welded castings shall be made to ensure a satisfactory procedure for welding is being adhered to by the producer.

19.2.1 All welding shall be done by qualified welders approved by the purchaser.

19.2.2 When castings are to be supplied in the heat treated condition, they shall be heat treated or re-heated treated, with proper precautions against germination, to the required temper after welding. Small arc welds may be performed without subsequent heat treatment upon approval of the purchaser.

19.2.3 When specified, castings that have been repaired by welding shall have the welded areas examined radiographically after all reworking and heat treatments have been completed.

19.2.4 All welds shall be free of cracks, excess gas, oxides, porosity and lack of fusion.

19.2.5 Welded castings shall be marked with a symbol of three concentric circles with a letter or number designating the welder adjacent to the symbol. The outer circle of the symbol shall not be larger than ¼ in. outside diameter. All welded areas shall be encircled with a ring of white paint prior to submission for final inspection.

19.3 *Impregnation*—When impregnation is permitted it shall be only to correct general seepage leaks and shall not be used to correct poor foundry technique or significant porosity. It shall be accomplished in accordance with such specifications as may be shown on the drawing or that may be required by the contract or order, provided that, if no specifications are stipulated, the method used shall be approved by the procuring agency. Unless otherwise authorized, castings which have been impregnated shall be marked *IMP*. Impregnation of castings shall be in accordance with Military Standard MIL-STD-276. For Aeronautical and Army Quartermaster Corps use, impregnants used shall be in accordance with Military Specification MIL-I-13857.

19.4 *Peening*—Where peening is permitted it shall be only to correct localized minor seepage leaks and small surface imperfections, or to disclose sub-surface voids for the purpose of inspection. Peening shall not be permitted to repair cracks, cold shuts, shrinks, mis-runs, defects due to careless handling, or other similar major defects. Peening may be accomplished either hot or cold and shall be performed by methods which are acceptable to the inspector. Peened castings shall be marked with a maltese cross approximately ¼ in. high.

19.5 *Blending*—Blending with suitable grinders or other tools shall be permitted only for the removal of surface imperfections and shall not result in dimensions below minimum drawing tolerances.

## 20. Certification

20.1 The supplier shall, on request, furnish to the purchaser

a certificate stating that the material has been sampled and inspected in accordance with this specification, and has met the requirements.

## 21. Identification and Repair Marking

21.1 *Identification*—Unless otherwise specified, each casting shall be marked with the applicable drawing or part number. The marking shall consist of raised Arabic numerals, and when applicable, capitol letters, cast integral. The location of the identification marking shall be as specified on the drawing, the drawing/part number shall be placed in a location mutually agreeable to the purchaser and producer.

21.1.1 *Lot Identification*—When practical, each casting shall also be marked with the lot number.

21.2 *Repair Markings*—All identification markings indicating repairs as specified in 19.2.5, 19.3 and 19.4 shall be made with a waterproof marking fluid.

## 22. Packaging and Marking for Shipment

22.1 *Packaging*—Unless otherwise specified, the castings shall be packaged to provide adequate protection during normal handling and transportation. Each package shall contain only one type of item unless otherwise agreed upon. The type of packaging and gross weight of containers shall, unless otherwise agreed upon, be at the supplier's discretion, provided they are such as to ensure acceptance by common or other carriers for safe transportation at the lowest rate to the delivery point.

22.2 *Marking*—Each shipping container shall be legibly marked with the purchase order number, gross and net weights, and the supplier's name. Marking for shipment shall be in accordance with Fed. Std. No. 123 for civil agencies and MIL-STD-129 for military agencies. When specified in the contract or purchase order materials shall be marked in accordance with Fed. Std. 184.

22.3 *Preservation*—Material intended for prolonged storage in unheated locations shall be adequately packed and protected to avoid deterioration and damage. When specified in the contract or purchase order, material shall be preserved, packaged, and packed in accordance with the requirements of Practice B 660. The applicable levels shall be as specified in the contract or order.

22.4 When required, an examination of preparation for delivery shall be made to determine compliance with the packing requirements. The sample unit shall be one shipping container fully prepared for delivery, randomly selected. Using MIL-STD-105, the inspection level shall be an AQL of 4.0 expressed in terms of percent defective.

## 23. Keywords

23.1 sand castings; magnesium alloy

## APPENDIX

## (Nonmandatory Information)

## X1. EXPLANATORY NOTES

**X1.1 General Information**

X1.1.1 Property limits in Table 2 are based on an analysis of data from separately cast tension test bars and are established at a level at which at least 99 % of the population of the values meets the established value.

X1.1.2 Alloy AM100A has a specific gravity of about 1.81. It is used both in the solution heat-treated temper and in the solution heat-treated and aged temper. Aging increases the yield strength and hardness and decreases the toughness and elongation.

X1.1.3 Alloy AZ63A has a specific gravity of about 1.84. It is used in the as-cast, the solution heat-treated, and the solution heat-treated and aged tempers. Its properties are somewhat better and its resistance to salt-water (NaCl) corrosion is decidedly better than in the case of alloy AM100A.

X1.1.4 Alloy AZ81A has a specific gravity of about 1.80. It is used primarily in the solution heat-treated temper. This alloy will produce castings having maximum soundness with moderate mechanical properties.

X1.1.5 Alloy AZ91C has a specific gravity of about 1.81. It should be used for those applications requiring the maximum of strength and hardness as well as ductility. Its mechanical properties in the heat-treated and in the heat-treated and aged temper are similar to those of AZ63A, but its foundry characteristics are similar to AZ92A. It should be used in preference to AZ62A. It should be used in preference to AZ63A if the higher resistance to salt-water (NaCl) corrosion of the latter composition is not required.

X1.1.6 Alloy AZ91E is a high purity version of AZ91C. As a result it has very high resistance to salt-water (NaCl) corrosion.

X1.1.7 Alloy EQ21A has lower silver content than QE22A alloy but has similar mechanical properties.

X1.1.8 Alloy AZ92A has a specific gravity of about 1.82. It is used where good soundness and mechanical properties are required. The alloy is heat treatable and is then characterized by high strength and hardness. Its resistance to salt-water (NaCl) corrosion is approximately equivalent to that of Alloy AZ63A. Alloy AZ92A in the heat-treated temper ages more rapidly than Alloy AZ63A in the heat-treated temper. Under service conditions where the castings attain a temperature of 200°F (93°C) or higher, the castings of Alloy AZ92A, heat treated, will gradually change to the heat-treated and aged temper.

X1.1.9 Alloy EZ33A has a specific gravity of about 1.84. It is used in the artificially-aged temper. It is recommended for use at elevated temperatures, especially in the range of 300 to 500°F (149 to 260°C). This alloy will produce sound castings for pressure tightness.

X1.1.10 Alloy K1A is a low-strength alloy generally used for its exceptionally good damping characteristics.

X1.1.11 Alloy QE22A is primarily used where a high yield

strength is needed at temperatures up to 400°F (200°C).

X1.1.12 Alloy ZE41A has a specific gravity of about 1.84. It is a versatile, medium strength, fully weldable and easily castable alloy possessing good fatigue and creep properties. This alloy will produce sound castings for pressure tightness. At testing temperatures up to 320°F (160°C), the properties of separately cast test bars bear a very close relationship to those obtained from sound production castings, even where thick (massive) sections are involved.

X1.1.13 Alloy ZE63A has a specific gravity of about 1.88. It is readily castable, has high strength, good ductility and excellent fatigue properties. It shows little or no tendency to microporosity and provides distinct advantages in control of quality. The alloy is designed to take advantage of a new principal of heat treatment involving the inward diffusion of hydrogen and formation of hydrides. A typical heat treatment is as follows: Heat in hydrogen at 900°F (482°C) for 10, 24, 72 h (for ¼ in., ½ in., ¾ in. sections respectively) to achieve full hydriding. Quench and age 48 h at 285°F (141°C).

X1.1.14 Alloy ZK51A has a specific gravity of about 1.83. It is used in the artificially aged temper. This alloy produces castings combining a high yield strength with good elongation.

X1.1.15 Alloy ZK61A has a specific gravity of about 1.83. It is used in the solution heat-treated and artificially aged temper. This alloy produces castings of highest strength-to-weight ratio and good elongation.

X1.1.16 Alloy WE43A and WE43B have a specific gravity of 1.84. It can be used in castings requiring high yield strength up to 500°F (260°C) and has very high resistance to salt water (NaCl) corrosion.

X1.1.17 Alloy WE54A has a specific gravity of 1.85. It can be used in castings requiring high yield strength up to 500°F (260°C) and has very high resistance to salt water (NaCl) corrosion. Ductility of alloy WE54A can fall as much as 50 % when exposed to 250 to 400°F (120 to 200°C) for long periods of time.

X1.1.18 Alloy ZC63A has a specific gravity of 1.87. It is suitable for commercial applications where pressure tightness and elevated temperature properties are required.

**X1.2 Properties and Characteristics**

X1.2.1 The data on properties and characteristics given in Table X1.1 are approximate and are supplied for general information only.

**X1.3 Minimum Properties of Bars Cut from Castings**

X1.3.1 The minimum properties of bars cut from castings shown in Table X1.2 are given for information only and do not form a part of this specification. The minimums in Table X1.2 are available for most castings although better properties may be obtained in some castings or selected sections of other castings. All properties of bars cut from castings require special agreement between the purchaser and the manufacturer.

**TABLE X1.1 Properties and Characteristics**

| Alloy Number |        | Melting Range<br>Approximate, °F (°C)           |           |           | Pattern<br>Shrinkage<br>Allow-<br>ance,<br>in./ft <sup>4</sup><br>(mm/m) | Foundry Characteristics <sup>B</sup> |                       |                                                  |                             | Other Characteristics <sup>B</sup> |                                  |                                             |                                                |
|--------------|--------|-------------------------------------------------|-----------|-----------|--------------------------------------------------------------------------|--------------------------------------|-----------------------|--------------------------------------------------|-----------------------------|------------------------------------|----------------------------------|---------------------------------------------|------------------------------------------------|
| ASTM         | UNS    | Non-<br>equilib-<br>rium<br>Solids <sup>C</sup> | Solidus   | Liquidus  |                                                                          | Pres-<br>sure<br>Tight-<br>ness      | Fluidity <sup>D</sup> | Micro-<br>porosity<br>Tend-<br>ency <sup>E</sup> | Normally<br>Heat<br>Treated | Machin-<br>ing <sup>F</sup>        | Electro-<br>plating <sup>G</sup> | Sur-<br>face<br>Treat-<br>ment <sup>H</sup> | Suita-<br>bility<br>to<br>Brazing <sup>I</sup> |
| AM100A       | M10100 | 810                                             | 867(464)  | 1100(593) | 5/32(13.0)                                                               | 2                                    | 1                     | 2                                                | yes                         | 1                                  | 2                                | no                                          | 1                                              |
| AZ63A        | M11630 | 685                                             | 850(454)  | 1130(610) | 5/32(13.0)                                                               | 3                                    | 1                     | 3                                                | yes                         | 1                                  | 1                                | no                                          | 3                                              |
| AZ81A        | M11810 | 790                                             | 882(472)  | 1115(602) | 5/32(13.0)                                                               | 2                                    | 1                     | 2                                                | yes                         | 1                                  | 2                                | no                                          | 1                                              |
| AZ91C        | M11914 | 785                                             | 875(468)  | 1105(596) | 5/32(13.0)                                                               | 2                                    | 1                     | 2                                                | yes                         | 1                                  | 2                                | no                                          | 1                                              |
| AZ91E        | M11919 | 785                                             | 875(468)  | 1105(596) | 5/32(13.0)                                                               | 2                                    | 1                     | 2                                                | yes                         | 1                                  | 2                                | no                                          | 1                                              |
| AZ92A        | M11920 | 770                                             | 830(443)  | 1100(593) | 5/32(13.0)                                                               | 2                                    | 1                     | 2                                                | yes                         | 1                                  | 2                                | no                                          | 2                                              |
| EQ21A        | M18330 | ...                                             | 995(535)  | 1184(640) | 5/32(13.0)                                                               | 2                                    | 2                     | 2                                                | yes                         | 1                                  | 2                                | K                                           | 1                                              |
| EZ33A        | M12390 | ...                                             | 1010(543) | 1189(643) | 3/16(15.5)                                                               | 1                                    | 2                     | 1                                                | yes                         | 1                                  | 1                                | no                                          | 1                                              |
| K1A          | M13010 | ...                                             | ...       | 1205(652) | 3/16(15.5)                                                               | 2                                    | 2                     | 2                                                | no                          | 1                                  | 3                                | K                                           | 1                                              |
| QE22A        | M18220 | ...                                             | 1020(549) | 1190(643) | 5/32(13.0)                                                               | 2                                    | 2                     | 2                                                | yes                         | 1                                  | 2                                | K                                           | 1                                              |
| WE43A        | M18430 | ...                                             | 1015(545) | 1185(640) | 3/16(15.5)                                                               | 2                                    | 2                     | 2                                                | yes                         | 1                                  | K                                | K                                           | 2                                              |
| WE43B        | M18432 | ...                                             | 1015(545) | 1185(640) | 3/16(15.5)                                                               | 2                                    | 2                     | 2                                                | yes                         | 1                                  | K                                | K                                           | 2                                              |
| WE54A        | M18410 | ...                                             | 1015(545) | 1185(640) | 3/16(15.5)                                                               | 2                                    | 2                     | 2                                                | yes                         | 1                                  | K                                | K                                           | 2                                              |
| ZC63A        | M16331 | ...                                             | 870(465)  | 1020(550) | 3/16(15.5)                                                               | 1                                    | 2                     | 2                                                | yes                         | 1                                  | K                                | K                                           | 2                                              |
| ZE41A        | M16410 | ...                                             | 950(510)  | 1184(640) | 5/32(13.0)                                                               | 2                                    | 2                     | 2                                                | yes                         | 1                                  | 1                                | no                                          | 2                                              |
| ZE63A        | M16630 | ...                                             | 510(266)  | 950(510)  | 3/16(15.5)                                                               | 1                                    | 2                     | 1                                                | yes                         | 1                                  | K                                | no                                          | 1                                              |
| ZK51A        | M16510 | ...                                             | 1020(549) | 1185(641) | 5/32(13.0)                                                               | 3                                    | 2                     | 3                                                | yes                         | 1                                  | 2                                | no                                          | 3                                              |
| ZK61A        | M16610 | ...                                             | 985(529)  | 1175(635) | 5/32(13.0)                                                               | 3                                    | 2                     | 3                                                | yes                         | 1                                  | 2                                | no                                          | 3                                              |

<sup>A</sup>Allowance for average castings. Shrinkage requirements will vary with intricacy of design and dimensions.

<sup>B</sup>Rating of 1 indicates best of group; 3 indicates poorest of group.

<sup>C</sup>As measured on metal solidified under normal casting conditions.

<sup>D</sup>Ability of liquid alloy to flow readily in mold and fill thin sections.

<sup>E</sup>Based on radiographic evidence.

<sup>F</sup>Composite rating based on ease of cutting, chip characteristics, quality of finish, and tool life. Ratings, in the case of heat-treatable alloys based on T6 type temper. Other tempers, particularly the annealed temper, may have lower rating.

<sup>G</sup>Ability of casting to take and hold an electroplate applied by present standard methods.

<sup>H</sup>Ability of castings to be cleaned in standard pickle solutions and to be conditioned for best paint adhesion.

<sup>I</sup>Refers to suitability of alloy to withstand brazing temperature without excessive distortion or melting.

<sup>J</sup>Based on ability of material to be fusion welded with filler rod of same alloy, or of an alloy whose composition is recommended. ZE63A alloy must be welded before its solution heat-treatment in hydrogen. It is not suitable for welding after such heat-treatment.

<sup>K</sup>Inexperience with these alloys under wide production conditions makes it undesirable to supply ratings at this time.

**X1.3.2 Military Specification MIL M-46062 High Strength Magnesium Alloy Castings**, covers castings of a premium quality for which all properties required are from specimens cut from the castings.

#### **X1.4 Yield Strength and Brinell Hardness**

**X1.4.1** The yield strength of magnesium-base alloys is defined as the stress at which the stress-strain curve deviates 0.2 % from the modulus line. It may be determined by the “offset method” or the “extension-under-load method” (the latter is often referred to as the “approximate method without the stress-strain diagram”) as described in Methods B 557. In case of dispute, the “offset method” shall be used. The data in Table X1.3 give minimum yield strength values for the various alloys, together with the corresponding unit deformations for

use with the “extension-under-load method” based on a modulus of elasticity,  $E = 6\,500\,000$  psi (44 800 MPa).

**X1.4.2** The typical Brinell hardness numbers shown in Table X1.3 were obtained using a 10-mm ball and 500-kgf load. They are shown for information only.

#### **X1.5 Chrome Pickling**

**X1.5.1** The chrome pickle affords measurable protection against corrosion and tarnish during shipment and storage of the castings. After pickling the castings will be gray to bronze or yellow in color depending on alloy and temper. The chrome pickle is not recommended for castings containing metal inserts. Such castings should be ordered shipped without surface treatment or protected with a slushing compound.

**TABLE X1.2 Tension Test Minimums for Specimens Cut from Castings**

NOTE 1—The values in the table, both average and minimum, are representative of the weakest areas in any type casting for the composition listed, that is, adjacent to gates and risers. Higher design properties for designated areas in castings are normally obtained and shall be as specified in the order.

| Alloy Number |        | Temper | Temperature of Testing | Tensile Strength, ksi (MPa) |                  | Yield Strength (0.2 % offset), ksi (MPa) |                  |
|--------------|--------|--------|------------------------|-----------------------------|------------------|------------------------------------------|------------------|
| ASTM         | UNS    |        |                        | avg <sup>A</sup>            | min <sup>B</sup> | avg <sup>A</sup>                         | min <sup>B</sup> |
| AZ63A        | M11310 | T4     | room                   | 25.5(173)                   | 17.0(117)        | 10.0(69)                                 | 9.0(62)          |
|              |        | T6     | room                   | 25.5(173)                   | 17.0(117)        | 14.5(99)                                 | 12.0(83)         |
| AZ31A        | M11310 | T4     | room                   | 25.5(173)                   | 17.0(117)        | 10.0(69)                                 | 9.0(62)          |
|              |        | T6     | room                   | 25.5(173)                   | 17.0(117)        | 14.5(99)                                 | 12.0(83)         |
| AZ91C        | M11914 | T4     | room                   | 25.5(173)                   | 17.0(117)        | 10.0(69)                                 | 9.0(62)          |
|              |        | T6     | room                   | 25.5(173)                   | 17.0(117)        | 14.5(99)                                 | 12.0(83)         |
| AZ91E        | M11919 | T6     | room                   | 25.5(173)                   | 17.0(117)        | 14.5(99)                                 | 12.0(83)         |
|              |        | T4     | room                   | 25.5(173)                   | 17.0(117)        | 10.0(69)                                 | 9.0(62)          |
| AZ92A        | M11920 | T6     | room                   | 25.5(173)                   | 17.0(117)        | 16.0(110)                                | 13.5(92)         |
|              |        | T6     | room                   | 32.0(221)                   | 28(193)          | 23.0(158)                                | 20.0(138)        |
| EQ21A        | M18330 | T6     | room                   | ...                         | 23.0(158)        | ...                                      | 18.0(124)        |
|              |        | T6     | 400°F                  | ...                         | ...              | ...                                      | ...              |
| EZ33A        | M12330 | T5     | room                   | 15.0(103)                   | 13.0(90)         | 12.5(86)                                 | 11.0(76)         |
|              |        | T5     | 500°F                  | ...                         | 10.0(69)         | ...                                      | 6.0(41)          |
| QE22A        | M18220 | T6     | room                   | 32.0(221)                   | 28.0(113)        | 23.0(158)                                | 20.0(138)        |
|              |        | T6     | 400°F                  | ...                         | 24.0(165)        | ...                                      | 18.0(124)        |
| WE43A        | M18430 | T6     | room                   | 36.5(252)                   | 31.5(215)        | 25.5(176)                                | 22.0(152)        |
|              |        | T6     | 482°F                  | 30.5(210)                   | 25.5(176)        | 22.5(155)                                | 18.5(128)        |
| WE43B        | M18432 | T6     | room                   | 36.5(252)                   | 31.5(215)        | 25.5(176)                                | 22.0(152)        |
|              |        | T6     | 482°F                  | 30.5(210)                   | 25.5(176)        | 22.5(155)                                | 18.5(128)        |
| WE54A        | M18410 | T6     | room                   | 35.0(240)                   | 30.5(210)        | 24.0(165)                                | 23.0(160)        |
|              |        | T6     | 482°F                  | ...                         | 27.0(185)        | ...                                      | 22.0(150)        |
| ZC63A        | M16331 | T6     | room                   | ...                         | 27.0(185)        | ...                                      | 18.0(124)        |
| ZE41A        | M16410 | T5     | room                   | 28.0(193)                   | 26.0(179)        | 19.5(135)                                | 17.5(120)        |
| ZE63A        | M16630 | T6     | room                   | 37.0(255)                   | 32.0(221)        | 24.0(165)                                | 22.0(152)        |
| ZK51A        | M16510 | T5     | room                   | 29.0(209)                   | 24.0(165)        | 17.0(117)                                | 14.0(96)         |
| ZK61A        | M16610 | T6     | room                   | 34.0(234)                   | 30.0(207)        | ...                                      | 21.0(145)        |

<sup>A</sup>The average value of all specimens tested from each casting shall conform to the minimum average. Not less than three specimens shall be tested from each casting: one from the thinnest section, one from the thickest section, and one from an intermediate section.

<sup>B</sup>Any specimen cut from a casting shall conform to the minimum value specified.

<sup>C</sup>Where a value is not listed the minimum average percent elongation of specimens cut from a casting shall not be less than 25 % of the value specified for separately cast test bars.

**TABLE X1.3 Data for Use with “Extension-Under Load Method” and Typical Brinell Hardness**

| Alloy Number |        | Temper | Yield Strength (0.2 % offset), min, ksi (MPa) | Unit Deformation, in./in. (mm/mm) of gage length | Typical Brinell Hardness Number, HB |
|--------------|--------|--------|-----------------------------------------------|--------------------------------------------------|-------------------------------------|
| ASTM         | UNS    |        |                                               |                                                  |                                     |
| AM100A       | M10100 | T6     | 17.0 (117)                                    | 0.0046                                           | 69                                  |
| AZ63A        | M11630 | F      | 11.0 (76)                                     | 0.0037                                           | 50                                  |
|              |        | T4     | 11.0 (76)                                     | 0.0037                                           | 55                                  |
|              |        | T5     | 12.0 (83)                                     | 0.0038                                           | 55                                  |
|              |        | T6     | 16.0 (110)                                    | 0.0045                                           | 73                                  |
|              |        | T4     | 11.0 (76)                                     | 0.0037                                           | 55                                  |
| AZ81A        | M11810 | T4     | 11.0 (76)                                     | 0.0037                                           | 55                                  |
|              |        | F      | 11.0 (76)                                     | 0.0037                                           | 60                                  |
| AZ91C        | M11914 | T4     | 11.0 (76)                                     | 0.0037                                           | 55                                  |
|              |        | T5     | 12.0 (83)                                     | 0.0038                                           | 62                                  |
|              |        | T6     | 16.0 (110)                                    | 0.0045                                           | 70                                  |
| AZ91E        | M11919 | T6     | 16.0 (110)                                    | 0.0045                                           | 70                                  |
|              |        | F      | 11.0 (76)                                     | 0.0037                                           | 65                                  |
| AZ92A        | M11920 | T4     | 11.0 (76)                                     | 0.0037                                           | 63                                  |
|              |        | T5     | 12.0 (83)                                     | 0.0038                                           | 69                                  |
|              |        | T6     | 18.0 (129)                                    | 0.0048                                           | 81                                  |
| EQ21A        | M18330 | T6     | 25.0 (172)                                    | 0.0058                                           | 78                                  |
| EZ33A        | M12330 | T5     | 14.0 (96)                                     | 0.0042                                           | 50                                  |
| K1A          | M18010 | F      | 6.0 (41)                                      | 0.0029                                           | ...                                 |
| QE22A        | M18220 | T6     | 25.0 (172)                                    | 0.0058                                           | 78                                  |
| WE43A        | M18430 | T6     | 25.0 (172)                                    | 0.0058                                           | 85                                  |
| WE43B        | M18432 | T6     | 25.0 (172)                                    | 0.0058                                           | 85                                  |
| WE54A        | M18410 | T6     | 26.0 (179)                                    | 0.0060                                           | 85                                  |
| ZC63A        | M16331 | T6     | 18.0 (125)                                    | 0.0050                                           | 60                                  |
| ZE41A        | M16410 | T5     | 19.5 (135)                                    | 0.0050                                           | 62                                  |
| ZE63A        | M10030 | T6     | 27.0 (186)                                    | 0.0062                                           | ...                                 |
| ZK51A        | M16510 | T5     | 20.0 (138)                                    | 0.0051                                           | 65                                  |
| ZK61A        | M16610 | T6     | 26.0 (174)                                    | 0.0060                                           | 70                                  |

*ASTM International takes no position respecting the validity of any patent rights asserted in connection with any item mentioned in this standard. Users of this standard are expressly advised that determination of the validity of any such patent rights, and the risk of infringement of such rights, are entirely their own responsibility.*

*This standard is subject to revision at any time by the responsible technical committee and must be reviewed every five years and if not revised, either reapproved or withdrawn. Your comments are invited either for revision of this standard or for additional standards and should be addressed to ASTM International Headquarters. Your comments will receive careful consideration at a meeting of the responsible technical committee, which you may attend. If you feel that your comments have not received a fair hearing you should make your views known to the ASTM Committee on Standards, at the address shown below.*

*This standard is copyrighted by ASTM International, 100 Barr Harbor Drive, PO Box C700, West Conshohocken, PA 19428-2959, United States. Individual reprints (single or multiple copies) of this standard may be obtained by contacting ASTM at the above address or at 610-832-9585 (phone), 610-832-9555 (fax), or [service@astm.org](mailto:service@astm.org) (e-mail); or through the ASTM website ([www.astm.org](http://www.astm.org)).*