



Designation: D 4543 – 85 (Reapproved 1991)<sup>ε1</sup>

AMERICAN SOCIETY FOR TESTING AND MATERIALS  
100 Barr Harbor Dr., West Conshohocken, PA 19428  
Reprinted from the Annual Book of ASTM Standards. Copyright ASTM

## Standard Practice for Preparing Rock Core Specimens and Determining Dimensional and Shape Tolerances<sup>1</sup>

This standard is issued under the fixed designation D 4543; the number immediately following the designation indicates the year of original adoption or, in the case of revision, the year of last revision. A number in parentheses indicates the year of last reapproval. A superscript epsilon ( $\epsilon$ ) indicates an editorial change since the last revision or reapproval.

<sup>ε1</sup> NOTE—Section 7 was added editorially in December 1991.

### 1. Scope

1.1 This practice specifies procedures for determining the length and diameter of rock core specimens and the conformance of the dimensions with established standards.

1.2 Rock is a complex engineering material which can vary greatly as a function of lithology, stress history, weathering, and other natural geologic processes. As such, it is not always possible to obtain or prepare rock core specimens which satisfy the desirable criteria given in this practice. Most commonly, this situation presents itself with weaker, more porous, and poorly cemented rock types and rock types containing significant structural features. For these and other rock types which are difficult to prepare, all reasonable efforts shall be made to prepare a sample in accordance with this practice. However, when it has been determined by trial that this is not possible, prepare the rock specimen to the highest standard practicable and consider this to be the best effort and report it as such, with all appropriate size and dimensional measurements reported as in Section 6.

1.3 This practice also prescribes tolerance checks on the straightness of the elements on the cylindrical surface, the flatness of the end bearing surfaces, and the perpendicularity of the end surfaces with the axis of the core.

1.4 The requirement for specifying the moisture condition of the test specimen at the time of the test is also stated.

1.5 The values stated in inch-pound units are to be regarded as the standard.

1.6 *This standard does not purport to address all of the safety problems, if any, associated with its use. It is the responsibility of the user of this standard to consult and establish appropriate safety and health practices and determine the applicability of regulatory limitations prior to use.*

### 2. Referenced Documents

#### 2.1 ASTM Standards:

C 617 Practice for Capping Cylindrical Concrete Specimens<sup>2</sup>

<sup>1</sup> This practice is under the jurisdiction of ASTM Committee D-18 on Soil and Rock and is the direct responsibility of Subcommittee D18.12 on Rock Mechanics. Current edition approved Nov. 29, 1985. Published January 1986.

<sup>2</sup> Annual Book of ASTM Standards, Vol 04.02.

D 2113 Method for Diamond Core Drilling for Site Investigation<sup>3</sup>

D 2664 Test Method for Triaxial Compressive Strength of Undrained Rock Core Specimens without Pore Pressure Measurements<sup>3</sup>

D 2936 Test Method for Direct Tensile Strength of Intact Rock Core Specimens<sup>3</sup>

D 2938 Test Method for Unconfined Compressive Strength of Intact Rock Core Specimens<sup>3</sup>

D 3148 Test Method for Elastic Moduli of Intact Rock Core Specimens in Uniaxial Compression<sup>3</sup>

D 3967 Test Method for Splitting Tensile Strength of Intact Rock Core Specimens<sup>3</sup>

D 4341 Test Method for Creep of Cylindrical Hard Rock Core Specimens in Uniaxial Compression<sup>3</sup>

D 4405 Test Method for Creep of Cylindrical Soft Rock Core Specimens in Uniaxial Compression<sup>3</sup>

D 4406 Test Method for Creep of Cylindrical Rock Core Specimens in Triaxial Compression<sup>3</sup>

### 3. Significance and Use

3.1 The dimensional, shape, and surface tolerances of rock core specimens are important for determining rock properties of intact specimens. Dimensional and surface tolerance checks are required in the test methods listed in 2.1. To simplify test procedures in laboratories, the parts of those procedures that are common to the test methods are given in this standard.

### 4. Specimens

4.1 Test specimens shall be right circular cylinders within the tolerances specified herein.

4.2 The specimen shall have a length-to-diameter ratio (L/D) of 2.0 to 2.5 and a diameter of not less than 1 $\frac{7}{8}$  in. (47 mm).

NOTE 1—It is desirable that the diameter of rock test specimens be at least ten times the diameter of the largest mineral grain. For weak rock types which behave more like soil (for example, weakly cemented sandstone), the specimen diameter should be at least six times the maximum particle diameter. It is considered that the specified minimum specimen diameter of approximately 1 $\frac{7}{8}$  in. (47 mm) will satisfy this

<sup>3</sup> Annual Book of ASTM Standards, Vol 04.08.

criterion in the majority of cases. When cores of diameter smaller than the specified minimum must be tested because of the unavailability of larger diameter core, as is often the case in the mining industry, suitable notation of this fact shall be made in the report.

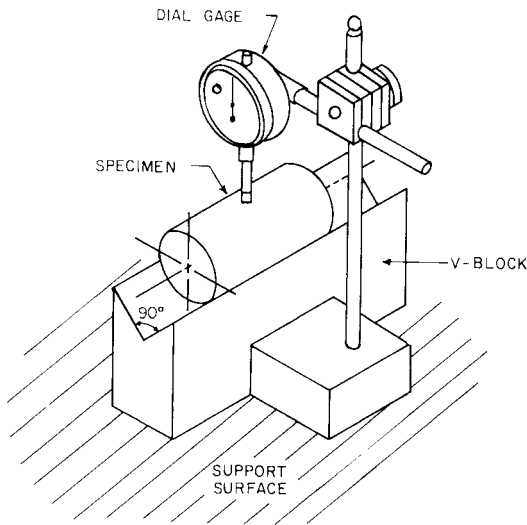


FIG. 1 Assembly for Determining the Straightness of Elements on the Cylindrical Surface

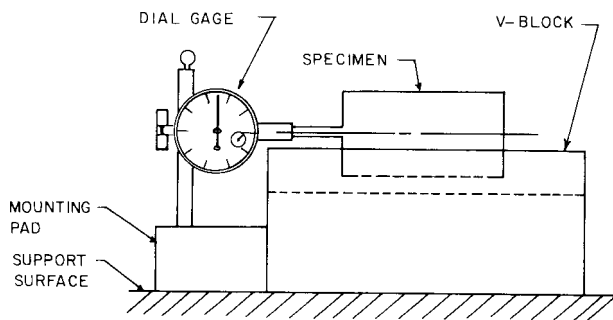


FIG. 2 Assembly for Determining the Flatness and Perpendicularity of End Surfaces to the Specimen Axis

4.3 The sides of the specimen shall be generally smooth and free of abrupt irregularities, with all the elements straight to within 0.020 in. (0.50 mm) over the full length of the specimen, as determined by 5.1.

4.4 The ends of the specimen shall be cut parallel to each other and at right angles to the longitudinal axis. The end surfaces shall be surface ground or lapped flat to a tolerance not to exceed 0.001 in. (25  $\mu$ m), as determined by 5.2.<sup>4</sup>

## 5. Procedure

5.1 Determine the deviation from straightness of the elements by either Procedure A or Procedure B, as follows:

5.1.1 *Procedure A*—Roll the cylindrical specimen on a smooth, flat surface and measure the height of the maximum gap between the specimen and the flat surface with a feeler gage. If the maximum gap exceeds 0.020 in. (0.50 mm), the

specimen does not meet the required tolerance for straightness of the elements. The flat test surface on which the specimen is rolled shall not depart from a plane by more than 0.0005 in. (15  $\mu$ m).

5.1.2 *Procedure B*—Place the cylindrical surface of the specimen on a V-block that is laid flat on a support surface. The V-block shall be machinist quality with all bearing faces surface ground and with a 90° included angle. Maintain the support surface and all bearing surfaces on the V-block flat and smooth to within 0.0005 in. (15  $\mu$ m). The length of the V-block shall be sufficient that the specimen will not project over its ends during movement.

5.1.2.1 Place a dial gage in contact with the top of the specimen, as shown in Fig. 1, and observe the dial reading as the specimen is moved from one end of the V-block to the other along a straight line, without rotation. The sensitivity of the dial gage shall be at least 0.001 in. (25  $\mu$ m). The measurement contact tip of the dial gage shall be round in shape.

5.1.2.2 Record the maximum and minimum readings on the dial gage and calculate the difference,  $\Delta_0$ . If the dial gage traverses a natural cavity in the rock, readings in this region should not be included in the determination of  $\Delta_0$ . Repeat the same operations by rotating the specimen for every 120°, and obtain the differences  $\Delta_{120}$  and  $\Delta_{240}$ . The maximum value of these three differences shall be less than 0.020 in. (0.50 mm).

5.2 Check the flatness tolerance by a setup similar to that for the cylindrical surface (Fig. 2) except that the dial gage shall be mounted near the end of the V-block.

5.2.1 Move the mounting pad horizontally so that the dial gage runs across a diameter of the specimen end surface. Take care to make sure that one end of the mounting pad maintains intimate contact with the end surface of the V-block during movement. A dial gage sensitive to 0.0001 in. (2.5  $\mu$ m) is required for measurements on the end surfaces.

5.2.2 Record the dial gage readings every 1/8 in. (3 mm) across the diameter. These readings may be recorded in tabular form, or to simplify the procedure, they may be plotted directly on a graph as shown for End 1, Diameter 1, in Fig. 3. Data recording is also simplified if the dial gage is set to zero when it is in contact with the center of the end face.

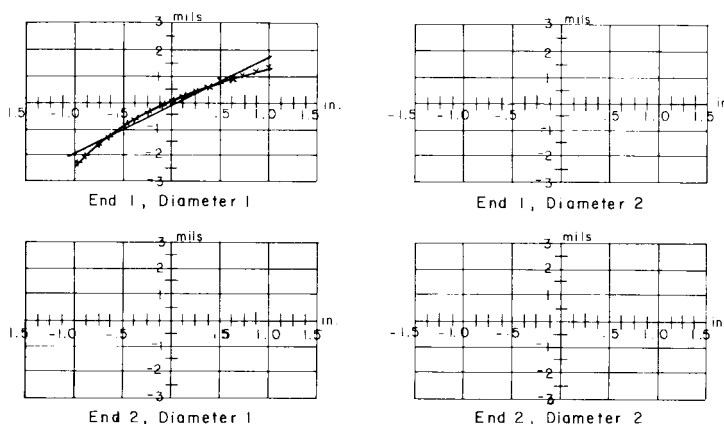
5.2.2.1 Plot the readings and draw a smooth curve through the points to represent the surface profile along the specified diametrical plane, as shown for End 1, Diameter 1, in Fig. 3. Do not plot dial gage readings taken when the gage tip drops into a natural cavity in the rock. The flatness tolerance is met when the smooth curve so determined does not depart from a visual best-fit straight line by more than 0.001 in. (25  $\mu$ m).

5.2.3 Rotate the specimen 90° about its longitudinal axis and repeat the same operations and tolerance checks for the new diametrical plane. Turn the specimen end for end and repeat the same measurement procedures and tolerance checks for the other end surface.

5.3 The ends of the specimen shall not depart from perpendicularity to the axis of the specimen by more than 0.25°, which is a slope of 1 part in 230.<sup>4,5</sup> Check this tolerance using

<sup>4</sup> Hoskins, J. R., and Horino, F. G., "Effects of End Conditions on Determining Compressive Strength of Rock Samples," *Report of Investigations U.S. Bureau of Mines 7171*, 1968.

<sup>5</sup> Podnieks, E. R., Chamberlain, P. G., and Thill, R. E., "Environmental Effects on Rock Properties," *Basic and Applied Rock Mechanics, Proceedings of Tenth Symposium on Rock Mechanics*, AIME, 1972, pp. 215–241.



Difference between maximum and minimum readings for Diam 1, End 1 =  $\Delta_1$  = \_\_\_\_\_  
 Difference for Diam 2, End 1 =  $\Delta_2$  = \_\_\_\_\_  
 Difference for Diam 1, End 2 =  $\Delta_1'$  = \_\_\_\_\_  
 Difference for Diam 2, End 2 =  $\Delta_2'$  = \_\_\_\_\_  
 Use the largest of the four  $\Delta$ ,  $\Delta_{max}$  = \_\_\_\_\_  
 Perpendicularity tolerance is met when  $\frac{\Delta_{max}}{diam} \leq 0.0043$

FIG. 3 Suggested Format for Presenting Tolerance-Check Data

the measurements taken in 5.2. Calculate the difference between the maximum and the minimum readings on the dial gage along Diameter 1. This difference is denoted as  $\Delta_1$ . Calculate the corresponding difference for Diameter 2, which is 90° from Diameter 1. Denote the difference for Diameter 2 as  $\Delta_2$ . Calculate the corresponding differences for the other end of the specimen,  $\Delta_1'$  and  $\Delta_2'$ . The perpendicularity tolerance will be considered to have been met when:

$$\frac{\Delta_i}{d} \text{ and } \frac{\Delta_i'}{d} \leq \frac{1}{230} = 0.0043 \quad (1)$$

where:

- $i = 1$  or  $2$ , and
- $d =$  diameter.

5.4 The measurements described in 5.1.2, 5.2, and 5.3 are taken with a mechanical dial gage. An optical or electronic device with an equivalent or better readout sensitivity and accuracy may be used in place of the dial gage, if desired.

5.5 The measurements taken on the ends of the specimen in 5.2 and 5.3 may also be made with the specimen clamped upright in a machinist quality V-block. The measuring tip of the dial gage would then contact the upper end surface of the specimen. Either the V-block and specimen may be moved as a unit under a stationary dial gage, or the dial gage may be moved while the V-block and specimen remain stationary. Whatever configuration is assembled, it must be machinist quality so that readings may be reproduced within 0.0001 in. (2.5  $\mu\text{m}$ ). The readings to be taken with such a vertical configuration are the same as those specified for the horizontal configuration in 5.2 and 5.3.

5.6 Determine the diameter of the test specimen to the nearest 0.01 in. (0.25 mm) by averaging two diameters measured at right angles to each other at about midheight of the specimen. Use this average diameter for calculating the cross-sectional area. Determine the length of the test specimen to the nearest 0.01 in. (0.25 mm) at the centers of the end faces.

5.7 The use of capping materials or end surface treatments other than the grinding and lapping specified herein is not

permitted, except as noted in 5.8. Lubricants are not permitted on the specimen - platen interfaces.

5.8 There are some rock types with physical characteristics or low strengths which preclude preparing specimens to the flatness tolerance specified in 5.2, even with the best effort (Note 2). In these instances, first cut to length the core specimen and apply end caps to the end surfaces of the specimen.

5.8.1 The specifications for the capping compound, capping plates, and alignment devices and the procedure for capping weak rock core specimens shall be the same as those established for compression testing of concrete in Practice C 617; however, melted sulfur capping compounds are not permitted because of the possible detrimental effects of the high temperature on the rock.

NOTE 2—Best effort in surface preparation refers to the use of a well-maintained surface grinder by an experienced operator. Air-cooled grinding with a dust collector is recommended over water circulation for weak rocks. A diamond grinding wheel may help if there are hard mineral grains in the rock, such as pyrite in shale.

5.9 The moisture condition of the sample shall be noted and reported as required in 6.1.6. Until an ASTM method is developed to determine moisture condition, the use of International Society for Rock Mechanics standards is suggested.<sup>6</sup>

NOTE 3—The moisture condition of the specimen at the time of the sample preparation can have a significant effect upon the strength and deformation characteristics of the rock. Good practice generally dictates that laboratory tests be made upon specimens representative of field conditions. Thus, it follows that the field moisture condition of the specimen should be preserved until the time of the test. In some instances, however, there may be reasons for testing specimens at other moisture contents, from saturation to dry. In any case, the moisture content of the

<sup>6</sup> International Society for Rock Mechanics, "Suggested Methods for Determining Water Content, Porosity, Density, Absorption and Related Properties and Swelling and Slake-Durability Index Properties," *International Journal of Rock Mechanics and Mining Sciences and Geomechanics Abstracts*, Vol. 16, No. 2, 1979, pp. 141-156.

test specimen should be tailored to the problem at hand. Excess moisture will affect the adhesion of resistance strain gages, if used, and the accuracy of their performance. Adhesives used to bond the rock to steel end pieces in the direct tension test will also be affected adversely by excess moisture.

## 6. Report

6.1 Report the following along with other data required for the particular test (2.1) being performed:

6.1.1 Source of test specimen, including project name and location. Often the location is specified in terms of the drill hole number and depth of specimen from collar of hole.

6.1.2 Date test is performed.

6.1.3 Physical description of test specimen including: rock type such as sandstone, limestone, granite, etc.; location and orientation of inherent rock structural features and any discontinuities; and large inclusions or inhomogeneities, if any. A sketch of the test specimen is recommended for other than homogeneous rock types.

6.1.4 Specimen diameter and length, and conformance or

best effort conformance with dimensional requirements (4.2 and 5.6).

6.1.5 Data to substantiate the following three tolerances:

6.1.5.1 Straightness of elements by either Procedure A (5.1.1) or Procedure B (5.1.2).

6.1.5.2 Flatness of end faces (5.2).

6.1.5.3 Perpendicularity of end faces (5.3).

6.1.6 General indication of the moisture condition of the sample at the time of the test, such as as-received, saturated, laboratory air-dry, or oven dry. It is recommended that the moisture conditions be more precisely determined when possible and reported as either water content or degree of saturation.

## 7. Keywords

7.1 conformance; diameter; dimensions; length; rock; specimen preparation (for testing); surface analysis; tolerances

*The American Society for Testing and Materials takes no position respecting the validity of any patent rights asserted in connection with any item mentioned in this standard. Users of this standard are expressly advised that determination of the validity of any such patent rights, and the risk of infringement of such rights, are entirely their own responsibility.*

*This standard is subject to revision at any time by the responsible technical committee and must be reviewed every five years and if not revised, either reapproved or withdrawn. Your comments are invited either for revision of this standard or for additional standards and should be addressed to ASTM Headquarters. Your comments will receive careful consideration at a meeting of the responsible technical committee, which you may attend. If you feel that your comments have not received a fair hearing you should make your views known to the ASTM Committee on Standards, 100 Barr Harbor Drive, West Conshohocken, PA 19428.*