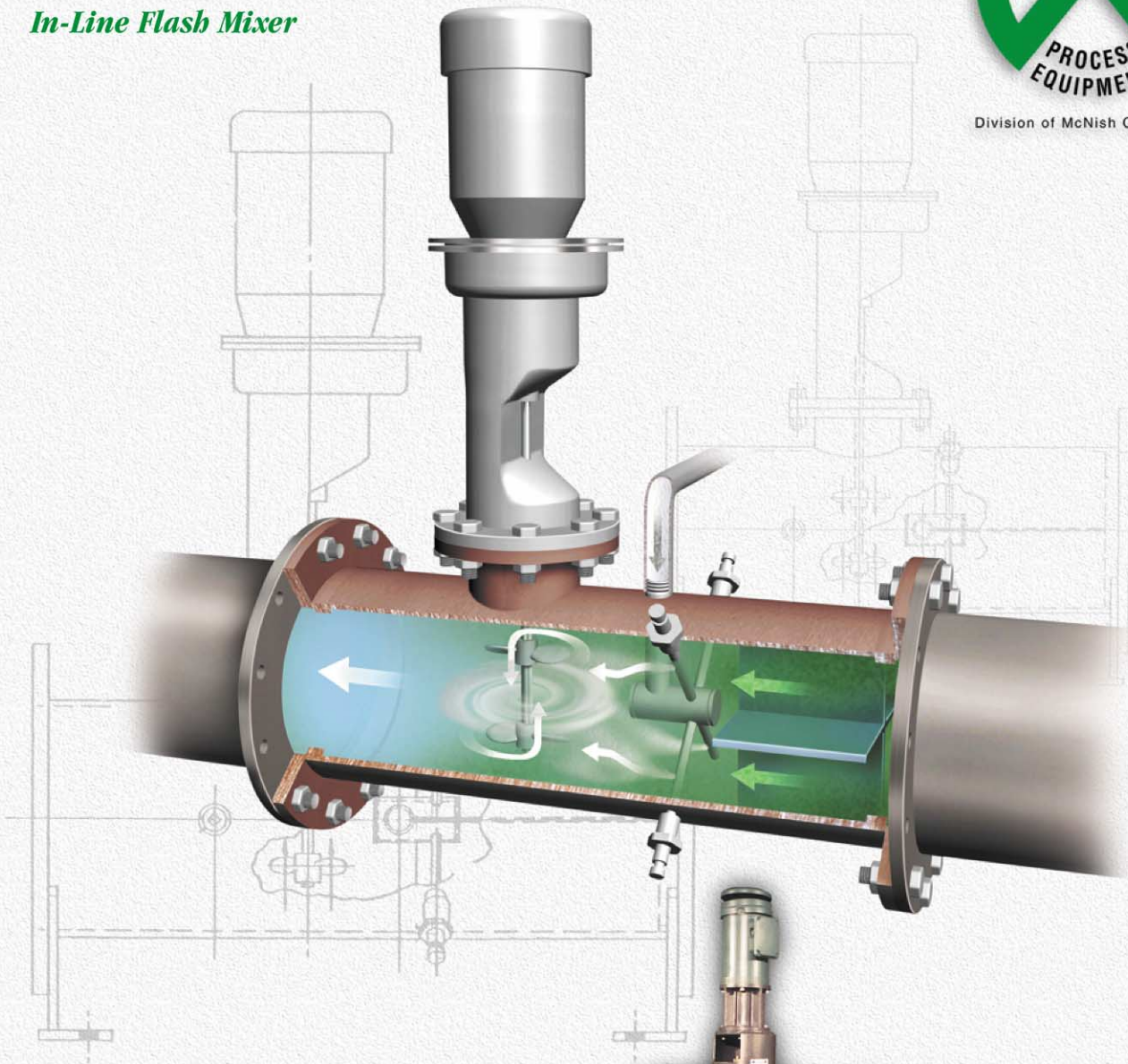


InstoMix

In-Line Flash Mixer

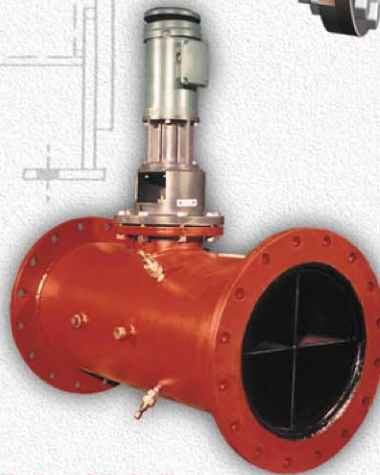


Division of McNish Corporation



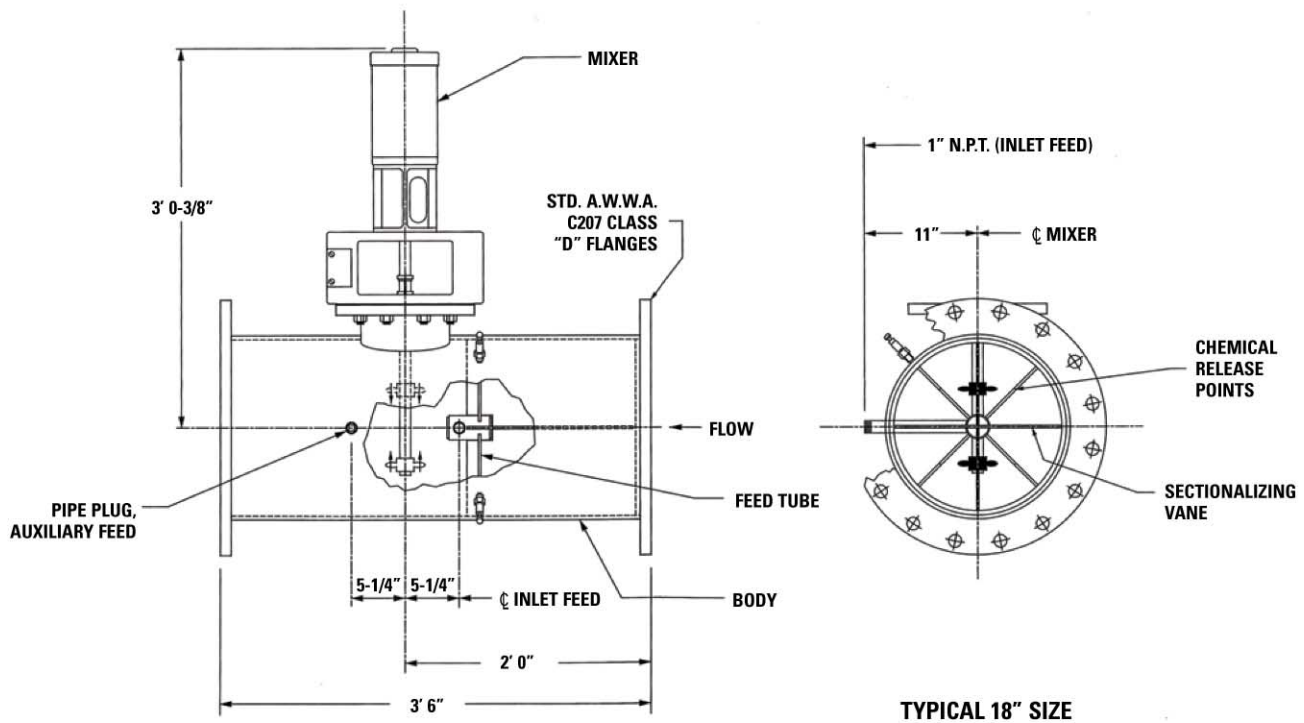
Instantaneous Mixing to Disperse Solutions

The **In-Line InstoMix** by Walker Process provides high-energy flash mixing to instantaneously (within milliseconds) disperse coagulant and other flocculent solutions into raw water flow.



The InstoMix In-Line Flash Chemical Mixer by Walker Process:

- Efficiently distributes small coagulant flow to large water flow.
- Provides very high G-value for instantaneous flash mixing and high diffusion efficiency.
- Distributes injected solutions within 10 milliseconds.
- Provides a more predictable and settleable floc.
- Reduces overuse of coagulants.
- Incorporates low energy input and low head loss.



Homogeneous, Millisecond Coagulant Blending

InstoMix In-Line Mixers provide continuous, instantaneous blending of coagulant in raw water prior to flocculation. The homogeneous, millisecond blending of coagulant results in optimum floc formation and maximizes chemical economy. Compact in-line units are constructed for flange mounting directly in the pipeline and are equipped with an internal feed manifold designed to distribute solutions uniformly throughout the sectionalized mixer body. The agitator (mixer) can be custom sized to produce a desired G-Value.

InstoMix units are available for 8-inch through 72-inch diameter pipelines.

Sizes - Diameter Flow Range MGD

8"	12"	18"	24"	30"	36"	48"	60"	72"
1.0-1.8	1.8-4.0	4.0-9.0	8.0-16.0	12.0-25.0	16.0-37.0	33.0-65.0	50.0-100.0	75.0-145.0

Body

Carbon Steel Sch 40 pipe, NSF-Approved epoxy coated interior

Manifold

316 stainless steel

Mounting

Horizontal - Flanged Mounted

Mixer

Direct connected, flange mounted, 316 stainless steel impellers and shaft

Flash mixing coagulants and other chemicals is necessary because of the minute amounts of solutions added to the relatively large amount of raw water treated. Because a rapid chemical reaction starts the instant alum or other coagulant is blended with raw water, there must be instant diffusion of the coagulant solution or many particles will be missed, resulting in an overall higher turbidity or excessive use of coagulant.

Walker Process Equipment

Division of McNish Corporation

840 North Russell Avenue • Aurora, IL 60506 • Phone: 630-892-7921 • Fax: 630-892-7951

E-mail: walker.process@walker-process.com

www.walker-process.com