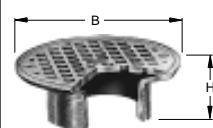


OPTIONAL STRAINER HEADS

ROUND STRAINER



MATERIALS:
 Chrome Plated -CP
 Polished Bronze -PB

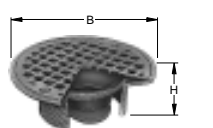
VARIATIONS:
 *Hinged Grate -H
 Sediment Bucket -B
 Vandal Proof Screws -U

B DIA	05 (125)	06 (150)	07 (180)	08 (205)	09 (230)	10 (255)
H	2 (51)	2 (51)	2 1/4 (57)	2 1/2 (64)	2 1/2 (64)	2 3/4 (70)
X MIN	1 1/4 (32)	1 1/4 (32)	1 1/4 (32)	1 1/2 (38)	1 1/2 (38)	1 1/2 (38)
X MAX	2 1/4 (57)	2 1/4 (57)	2 1/4 (57)	2 1/2 (64)	2 1/2 (64)	2 3/4 (70)

Specify Type, Size & Finish eg: A05NB
 *Not available for 05" (125) size

SUFFIX -A

FLAPPER TYPE BACKWATER VALVE



FUNCTION: Provides backwater protection at point where protection is needed.

MATERIALS:
 Chrome Plated -CP
 Polished Bronze -PB

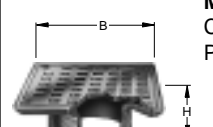
VARIATIONS:
 *Hinged Grate -H
 Vandal Proof Screws -U

B DIA	05 (125)	06 (150)	07 (180)	08 (205)
H	2 (51)	2 (51)	2 1/4 (57)	2 1/2 (64)
X MIN	1 1/4 (32)	1 1/4 (32)	1 1/4 (32)	1 1/2 (38)
X MAX	2 1/4 (57)	2 1/4 (57)	2 1/4 (57)	2 1/2 (64)

Specify Type, Size & Finish eg: AV05NB
 *Not available for 05" (125) size

SUFFIX -AV

SQUARE STRAINER



MATERIALS:
 Chrome Plated -CP
 Polished Bronze -PB


VARIATIONS:
 Flapper Type Backwater Valve -V 05 (125), 06 (150), 07 (180) or 08" (205) sizes only
 *Hinged Grate -H
 Sediment Bucket -B
 Vandal Proof Screws -U

B DIA	05 (125)	06 (150)	07 (180)	08 (205)	09 (230)	10 (255)
H	2 (51)	2 (51)	2 1/4 (57)	2 1/2 (64)	2 1/4 (57)	2 1/4 (57)
X MIN	1 1/4 (32)	1 1/4 (32)	1 1/4 (32)	1 1/2 (38)	1 1/2 (38)	1 1/2 (38)
X MAX	2 1/4 (57)	2 1/4 (57)	2 1/4 (57)	2 1/2 (64)	2 1/4 (57)	2 3/8 (60)

Specify Type, Size & Finish eg: B05NB
 *Not available for 05" (125) size

SUFFIX -B

ADJUSTABLE STRAINER HEAD



MATERIALS:
 Chrome Plated -CP
 Polished Bronze -PB


VARIATIONS:
 Gasketed Water Tight Cover -GC
 Secured Cover -SC
 Strainer Grate -SG

Specify Type, Size & Finish eg: BSNB

SUFFIX -BS

REINFORCED ROUND STRAINER

FUNCTION: Used in finished floors where light wheeled loads are anticipated.



MATERIALS:
 Chrome Plated -CP
 Polished Bronze -PB

VARIATIONS:
 Flapper Type Backwater Valve -V
 Sediment Bucket -B
 Vandal Proof Screws -U

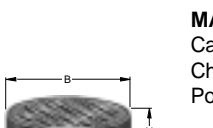
B DIA	05 (125)	06 (150)	08 (205)	10 (255)
H	2 (51)	2 (51)	2 1/2 (64)	2 3/4 (70)
MIN	1 1/4 (32)	1 1/4 (32)	1 1/2 (38)	1 7/8 (48)
MAX	2 1/4 (57)	2 1/4 (57)	2 1/2 (64)	2 3/4 (70)

Specify Type, Size & Finish eg: C06NB

SUFFIX -C

REINFORCED TRACTOR STRAINER

FUNCTION: Used in finished floors where medium weight wheeled loads are anticipated and loose set non-tilt tractor grate is desired.



MATERIALS:
 Cast Iron -CI
 Chrome Plated -CP
 Polished Bronze -PB

VARIATIONS:
 Flapper Type Backwater Valve -V
 Sediment Bucket -B
 Vandal Proof Screws -U

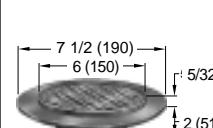
SUFFIX	B DIA	H	MIN	X	MAX
-D	07 (180)	3 1/4 (83)	2 5/8 (67)	3 1/2 (89)	
-E	09 (230)	3 1/2 (89)	2 3/4 (70)	3 1/2 (89)	

Specify Type, Size & Finish eg: E09PB

SUFFIX -D-E

TILE FLANGE

FUNCTION: Provides integral flange set 5/32" (4) below rim to receive floor covering. Flange may have option of tapped holes for securing pan and gasket.



MATERIALS:
 Chrome Plated -CP
 Polished Bronze -PB

VARIATIONS:
 Flapper Type Backwater Valve -V
 Holes in Flange -SH
 Sediment Bucket -B
 Vandal Proof Screws -U

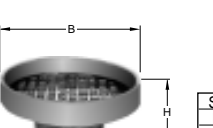
X			
MIN	1 1/4 (32)	MAX	2 1/8 (54)

Specify Type, Size & Finish eg: F06NB

SUFFIX -F

ADJUSTABLE STRAINER HEAD

FUNCTION: Used in a non-traffic area when a funnel type strainer head is required and space does not allow use of the 3500 series funnel. The extended rim allows use as an anti-flood and anti-splash drip pan.



MATERIALS:
 Cast Iron -CI
 Chrome Plated -CP
 Galvanized Cast Iron -G
 Polished Bronze -PB

SUFFIX	B DIA	H
-F37	07 (180)	09 (230)
-F38	3 1/4 (83)	3 1/2 (89)
X MIN	2 5/8 (67)	2 3/4 (70)
X MAX	3 1/2 (89)	3 1/2 (89)

Specify Type, Size & Finish eg: F37NB F38CP

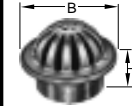

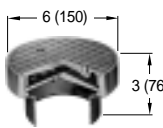
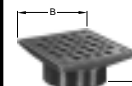
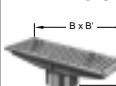
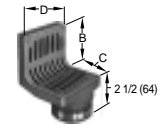
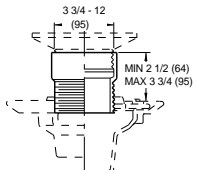
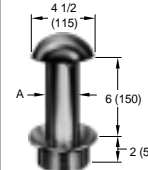
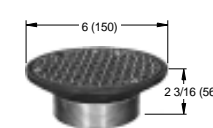
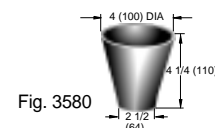
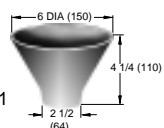
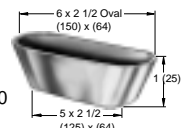
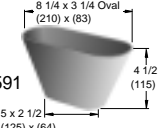
SUFFIX -F37-F38

C	2-23-96	Added 0 to inches	EMB	BS	FIGURE NUMBER
B	4-3-95	Added Millimeters, Made 2 pages	EMB	BS	2010 SERIES OPTIONAL STRAINER HEADS
A	1-10-95	Submittal Update	EMB	BS	1 of 2
REV.	DATE	DESCRIPTION	BY	CKD. BY	

NOTE: Dimensions shown in parenthesis are in millimeters.

SEE BACK SHEET

OPTIONAL STRAINER HEADS

DRAWING NUMBER PM0457 SH 2 of 2	SIZE A	SCALE NONE	DATE: 5-17-85	APPROVED BY: TD	CHECKED BY: TD	DRAWN BY: PJ	FIGURE NUMBER																																																																												
DIMENSIONS ARE SUBJECT TO MANUFACTURERS TOLERANCE AND CHANGE WITHOUT NOTICE																																																																																			
ASSUME NO RESPONSIBILITY OR USE OF SUPERSEDED OR VOID DATA																																																																																			
LOW DOME STRAINER		SOLID HINGED COVER		SPANNER WRENCH COVER																																																																															
<p>FUNCTION: Used in gutters and recessed areas where excessive debris build-up is expected. Dome insures drainage even when partly covered.</p> <p>MATERIALS: Chrome Plated -CP Polished Bronze -PB</p> <p>VARIATIONS: Flapper Type Backwater Valve -V Sediment Bucket -B Vandal Proof Screws -U</p>  <table border="1" style="font-size: x-small;"> <tr><td>B DIA</td><td>05 (125)</td><td>06 (150)</td><td>08 (205)</td></tr> <tr><td>H</td><td>2 (51)</td><td>2 (51)</td><td>2 1/2 (64)</td></tr> <tr><td>MIN</td><td>1 1/4 (32)</td><td>1 1/4 (32)</td><td>1 1/2 (38)</td></tr> <tr><td>MAX</td><td>2 1/4 (57)</td><td>2 1/4 (57)</td><td>2 1/2 (64)</td></tr> </table>		B DIA	05 (125)	06 (150)	08 (205)	H	2 (51)	2 (51)	2 1/2 (64)	MIN	1 1/4 (32)	1 1/4 (32)	1 1/2 (38)	MAX	2 1/4 (57)	2 1/4 (57)	2 1/2 (64)	<p>FUNCTION: Used in areas where intermittent drain use is required. Solid cover prevents intrusion of chips, saw-dust, etc., which are swept up before cover is opened for washdown. The secondary strainer prevents debris from entering the waste line.</p> <p>MATERIALS: Cast Iron -CI Chrome Plated -CP Polished Bronze -PB</p> <p>VARIATIONS: Flapper Type Backwater Valve -V Vandal Proof Screws -U</p>  <table border="1" style="font-size: x-small;"> <tr><td>B DIA</td><td>05 (125)</td><td>06 (150)</td><td>07 (180)</td><td>08 (205)</td></tr> <tr><td>H</td><td>2 (51)</td><td>2 (51)</td><td>2 1/4 (57)</td><td>2 1/2 (64)</td></tr> <tr><td>MIN</td><td>1 1/4 (32)</td><td>1 1/4 (32)</td><td>1 1/4 (32)</td><td>1 1/2 (38)</td></tr> <tr><td>MAX</td><td>2 1/4 (57)</td><td>2 1/4 (57)</td><td>2 1/4 (57)</td><td>2 1/2 (64)</td></tr> </table>		B DIA	05 (125)	06 (150)	07 (180)	08 (205)	H	2 (51)	2 (51)	2 1/4 (57)	2 1/2 (64)	MIN	1 1/4 (32)	1 1/4 (32)	1 1/4 (32)	1 1/2 (38)	MAX	2 1/4 (57)	2 1/4 (57)	2 1/4 (57)	2 1/2 (64)	<p>FUNCTION: Solid gas tight, vandal proof, threaded cover for areas where intermittent drain use is required.</p> <p>MATERIALS: Chrome Plated -CP Polished Bronze -PB</p> <p>VARIATIONS: Flapper Type Backwater Valve -V Holes in Flange -SH Sediment Bucket -B Vandal Proof Screws -U</p>  <table border="1" style="font-size: x-small;"> <tr><td>X</td><td>MIN</td><td>MAX</td></tr> <tr><td></td><td>2 (51)</td><td>3 (76)</td></tr> </table>				X	MIN	MAX		2 (51)	3 (76)																																		
B DIA	05 (125)	06 (150)	08 (205)																																																																																
H	2 (51)	2 (51)	2 1/2 (64)																																																																																
MIN	1 1/4 (32)	1 1/4 (32)	1 1/2 (38)																																																																																
MAX	2 1/4 (57)	2 1/4 (57)	2 1/2 (64)																																																																																
B DIA	05 (125)	06 (150)	07 (180)	08 (205)																																																																															
H	2 (51)	2 (51)	2 1/4 (57)	2 1/2 (64)																																																																															
MIN	1 1/4 (32)	1 1/4 (32)	1 1/4 (32)	1 1/2 (38)																																																																															
MAX	2 1/4 (57)	2 1/4 (57)	2 1/4 (57)	2 1/2 (64)																																																																															
X	MIN	MAX																																																																																	
	2 (51)	3 (76)																																																																																	
SUFFIX -G Specify Type, Size & Finish eg: G08PB		SUFFIX -H Specify Type, Size & Finish eg: H05CP		SUFFIX -J Specify Type, Size & Finish eg: J06NB																																																																															
REINFORCED SQUARE STRAINER		RECTANGULAR STRAINER		ANGLE STRAINER																																																																															
<p>FUNCTION: Used in finished floors where some light wheeled traffic is anticipated.</p> <p>MATERIALS: Chrome Plated -CP Polished Bronze -PB</p> <p>VARIATIONS: Flapper Type Backwater Valve -V Sediment Bucket -B Vandal Proof Screws -U</p>  <table border="1" style="font-size: x-small;"> <tr><td>B SQ</td><td>05 (125)</td><td>06 (150)</td><td>07 (180)</td><td>08 (205)</td></tr> <tr><td>H</td><td>2 (51)</td><td>2 (51)</td><td>2 1/4 (57)</td><td>2 1/2 (64)</td></tr> <tr><td>MIN</td><td>1 1/4 (32)</td><td>1 1/4 (32)</td><td>1 1/4 (32)</td><td>1 1/2 (38)</td></tr> <tr><td>MAX</td><td>2 1/4 (57)</td><td>2 1/4 (57)</td><td>2 1/4 (57)</td><td>2 1/2 (64)</td></tr> </table>		B SQ	05 (125)	06 (150)	07 (180)	08 (205)	H	2 (51)	2 (51)	2 1/4 (57)	2 1/2 (64)	MIN	1 1/4 (32)	1 1/4 (32)	1 1/4 (32)	1 1/2 (38)	MAX	2 1/4 (57)	2 1/4 (57)	2 1/4 (57)	2 1/2 (64)	<p>FUNCTION: Used in finished floors where light wheeled loads and or heavy foot traffic are anticipated.</p> <p>MATERIALS: Chrome Plated -CP Polished Bronze -PB</p> <p>VARIATIONS: Sediment Bucket -B Vandal Proof Screws -U</p>  <table border="1" style="font-size: x-small;"> <tr><td>SUFFIX</td><td>L</td><td>M</td><td>N</td><td>P</td><td>R</td><td>S</td></tr> <tr><td>B x B</td><td>4 1/2(115)x8(205)</td><td>4(100)x12(305)</td><td>5(125)x9(230)</td><td>5(125)x13(330)</td><td>6(150)x10(255)</td><td>5(125)x17(430)</td></tr> <tr><td>H</td><td>2 1/4 (57)</td><td>2 1/2 (64)</td><td>2 1/4 (57)</td><td>3 (76)</td><td>2 1/4 (57)</td><td>3 (76)</td></tr> <tr><td>MIN</td><td>1 3/8 (35)</td><td>1 7/8 (48)</td><td>1 3/8 (35)</td><td>2 1/8 (54)</td><td>1 3/8 (35)</td><td>2 1/4 (57)</td></tr> <tr><td>MAX</td><td>2 3/8 (60)</td><td>2 3/4 (70)</td><td>2 3/8 (60)</td><td>3 (76)</td><td>2 3/8 (60)</td><td>3 1/8 (79)</td></tr> </table>		SUFFIX	L	M	N	P	R	S	B x B	4 1/2(115)x8(205)	4(100)x12(305)	5(125)x9(230)	5(125)x13(330)	6(150)x10(255)	5(125)x17(430)	H	2 1/4 (57)	2 1/2 (64)	2 1/4 (57)	3 (76)	2 1/4 (57)	3 (76)	MIN	1 3/8 (35)	1 7/8 (48)	1 3/8 (35)	2 1/8 (54)	1 3/8 (35)	2 1/4 (57)	MAX	2 3/8 (60)	2 3/4 (70)	2 3/8 (60)	3 (76)	2 3/8 (60)	3 1/8 (79)	<p>FUNCTION: Shower room drain set at wall and floor junction. Vertical grate openings prevent drain stoppage should flat surface become covered.</p> <p>MATERIALS: Cast Iron -CI Chrome Plated -CP Polished Bronze -PB</p> <p>VARIATIONS: Vandal Proof Screws -U</p>  <table border="1" style="font-size: x-small;"> <tr><td>SUFFIX</td><td>B</td><td>C</td><td>D</td><td>X</td><td>MIN</td><td>MAX</td></tr> <tr><td>-V</td><td>3 1/2 (89)</td><td>3 1/2 (89)</td><td>4 1/2 (115)</td><td>1 5/8 (41)</td><td>2 5/8 (67)</td><td></td></tr> <tr><td>-W</td><td>6 3/4 (170)</td><td>6 3/4 (170)</td><td>6 1/2 (165)</td><td>1 5/8 (41)</td><td>2 5/8 (67)</td><td></td></tr> </table>				SUFFIX	B	C	D	X	MIN	MAX	-V	3 1/2 (89)	3 1/2 (89)	4 1/2 (115)	1 5/8 (41)	2 5/8 (67)		-W	6 3/4 (170)	6 3/4 (170)	6 1/2 (165)	1 5/8 (41)	2 5/8 (67)	
B SQ	05 (125)	06 (150)	07 (180)	08 (205)																																																																															
H	2 (51)	2 (51)	2 1/4 (57)	2 1/2 (64)																																																																															
MIN	1 1/4 (32)	1 1/4 (32)	1 1/4 (32)	1 1/2 (38)																																																																															
MAX	2 1/4 (57)	2 1/4 (57)	2 1/4 (57)	2 1/2 (64)																																																																															
SUFFIX	L	M	N	P	R	S																																																																													
B x B	4 1/2(115)x8(205)	4(100)x12(305)	5(125)x9(230)	5(125)x13(330)	6(150)x10(255)	5(125)x17(430)																																																																													
H	2 1/4 (57)	2 1/2 (64)	2 1/4 (57)	3 (76)	2 1/4 (57)	3 (76)																																																																													
MIN	1 3/8 (35)	1 7/8 (48)	1 3/8 (35)	2 1/8 (54)	1 3/8 (35)	2 1/4 (57)																																																																													
MAX	2 3/8 (60)	2 3/4 (70)	2 3/8 (60)	3 (76)	2 3/8 (60)	3 1/8 (79)																																																																													
SUFFIX	B	C	D	X	MIN	MAX																																																																													
-V	3 1/2 (89)	3 1/2 (89)	4 1/2 (115)	1 5/8 (41)	2 5/8 (67)																																																																														
-W	6 3/4 (170)	6 3/4 (170)	6 1/2 (165)	1 5/8 (41)	2 5/8 (67)																																																																														
SUFFIX -K Specify Type, Size & Finish eg: K07CP		SUFFIX -L-M-N-P-R-S Specify Type, Size & Finish eg: LNB		SUFFIX -V-W Specify Type, Size & Finish eg: VPB, WNB																																																																															
EXTENSION ADAPTOR		OVERFLOW WITH STANDPIPE		HEAVY DUTY ADJUSTABLE																																																																															
<p>FUNCTION: Used when a strainer head must be raised to accommodate deeper floor fill.</p> <p>REGULARLY FURNISHED: Duco Cast Iron -CI</p> <p>MATERIALS: Cast Bronze -CB Galvanized Cast Iron -G</p>  <p>NOTE: Extension can be stacked for increased maximum adjustment.</p>		<p>FUNCTION: Used as overflow drain in decorative pools, fish ponds or similar areas. Dome prevents floating objects from entering drain line.</p> <p>MATERIALS: Chrome Plated -CP Nickel Bronze -NB Polished Bronze -PB</p> <p>VARIATIONS: Less Dome -LD Standpipe Height other than 6" (150) (Specify Height)</p>  <table border="1" style="font-size: x-small;"> <tr><td>SUFFIX</td><td>A</td><td>MIN</td><td>MAX</td></tr> <tr><td>-Y</td><td>2 (51)</td><td>3/4 (19)</td><td>2 1/8 (54)</td></tr> <tr><td>-Z</td><td>3 (76)</td><td>3/4 (19)</td><td>2 1/8 (54)</td></tr> </table>		SUFFIX	A	MIN	MAX	-Y	2 (51)	3/4 (19)	2 1/8 (54)	-Z	3 (76)	3/4 (19)	2 1/8 (54)	<p>FUNCTION: Used in finished floors where light wheeled loads and or heavy foot traffic are anticipated.</p> <p>MATERIALS: Polished Bronze -PB Rough Bronze -RB</p> <p>VARIATIONS: Backwater Valve -V Funnel (Specify) Sediment Bucket -B Vandal Proof Screws -U</p>  <p>eg: A06NB-69</p>																																																																			
SUFFIX	A	MIN	MAX																																																																																
-Y	2 (51)	3/4 (19)	2 1/8 (54)																																																																																
-Z	3 (76)	3/4 (19)	2 1/8 (54)																																																																																
SUFFIX -X		SUFFIX -Y-Z Specify Type, Size & Finish eg: YCP, ZCP		SUFFIX -69																																																																															
 <p>Fig. 3580</p>		 <p>Fig. 3581</p>		 <p>Fig. 3590</p>		 <p>Fig. 3591</p>																																																																													

C	2-23-96	Revised Added Millimeters, Made 2 Pages Submittal Update	EMB	BS	FIGURE NUMBER 2010 SERIES OPTIONAL STRAINER HEADS 2 of 2
B	4-5-95		EMB	BS	
A	1-10-95		EMB	BS	
REV.	DATE	DESCRIPTION	BY	CKD. BY	

NOTE: Dimensions shown in parentheses are in millimeters.

G



JAY R. SMITH MFG. CO.
 DIVISION OF SMITH INDUSTRIES, INC.
 POST OFFICE BOX 3237
 MONTGOMERY, ALABAMA 36109-0237 (USA)
 TEL: 334-277-8520 • FAX: 334-272-7396 • www.JRSmith.com



LOCATION

FLOOR DRAIN WITH ADJUSTABLE STRAINER HEAD

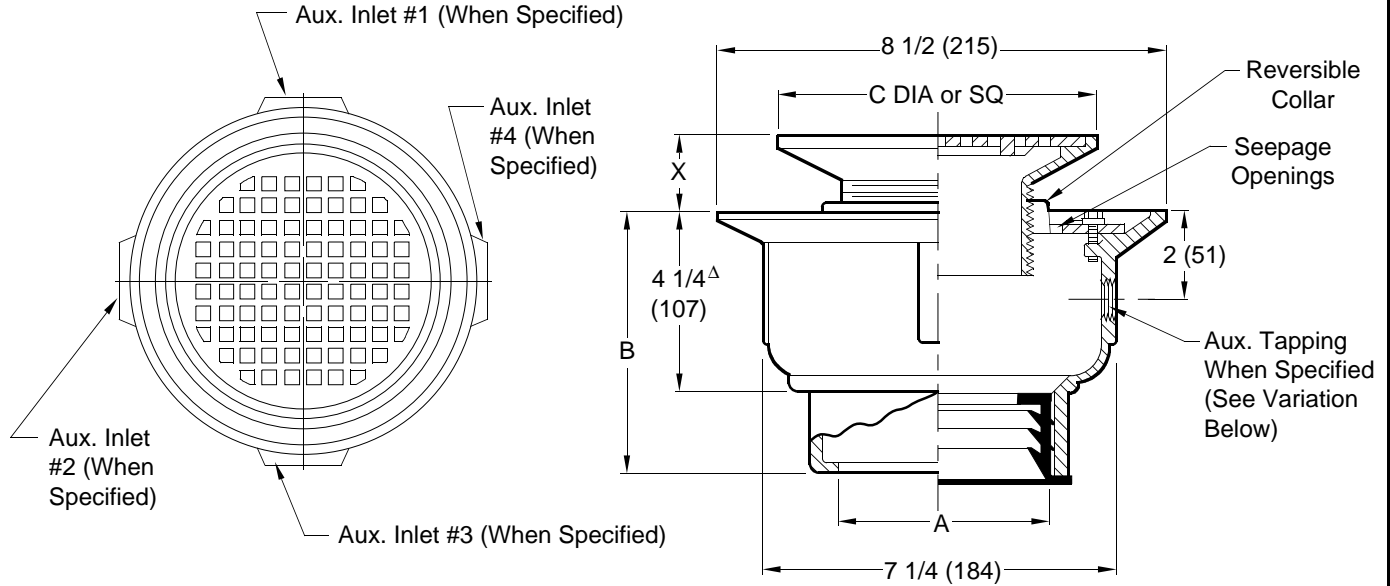


Fig. 2091Y NO-HUB OUTLET (Regularly Furnished)

STRAINER SIZE	*COLLAR IN HIGH POSITION		*COLLAR IN LOW POSITION	
	X		X	
C DIA OR SQ	MIN	MAX	MIN	MAX
05 (125)	1 1/4 (32)	2 1/4 (57)	3/4 (19)	1 5/8 (41)
06 (150)	1 1/4 (32)	2 1/4 (57)	3/4 (19)	1 5/8 (41)
07 (180)	1 1/4 (32)	2 1/4 (57)	7/8 (22)	1 7/8 (48)
08 (205)	1 1/2 (38)	2 1/2 (64)	1 (25)	1 7/8 (48)
09 *(230)	1 1/2 (38)	2 3/8 (60)	1 (25)	1 7/8 (48)
10 *(255)	1 1/2 (38)	2 3/8 (60)	1 (25)	1 7/8 (48)

△ This Dimension to Internal Stop of Speedi-Set Gasket

•Add 3/8"(10) to all min./max. dimensions for round strainers.

*Collar is reversible to obtain extreme high and low strainer positions.

NOTE: (4) Tappings can be furnished. (Specify number and size required)

NOTE: Dimensions shown in parentheses are in millimeters.

A SIZE	02(50)	03(80)	04(100)
B	5 1/2(140) for Caulk, NO-HUB and Speedi-Set. 4 1/4(110) for Threaded.		

REGULARLY FURNISHED:

Duco Cast Iron NO-HUB Body, Cast Iron Flashing Collar and Adjustable Satin Nickel Bronze Strainer Head as Specified.

VARIATIONS:

- C Caulk Outlet
- L Speedi Set Service Weight
02(50), 03(80) & 04"(100) sizes only
- LXH Speedi Set Extra Heavy
02(50), 03(80) & 04"(100) sizes only
- 1/2(13) to 2"(51) Aux. Tapping
(Specify size and number required)
(4 Aux. Tappings MAX specify NPT or BS Qty and location)

OPTIONAL MATERIALS:

- Galvanized Body -G
- Polished Bronze Strainer -PB
- Chrome Plated Strainer -CP
(Not recommended in traffic floors)

DRAWING NUMBER
I-2-159

SIZE
A

SCALE:
NONE

DATE:
5-8-85

APPROVED BY:
TD

CHECKED BY:
TD

DRAWN BY:
CM

2091

WE CAN ASSUME NO RESPONSIBILITY FOR USE OF SUPERSEDED OR VOID DATA

DIMENSIONS ARE SUBJECT TO MANUFACTURERS TOLERANCE AND CHANGE WITHOUT NOTICE

G	10-31-97	Added Millimeters	EMB	BS
T	12-28-95	Revised Submittal	EMB	SB
E	1-16-95	Rev Reg Furn, Var, Opt Mat, Table	EMB	JCS
D	4-26-93	Rev Call Out & Var	EMB	JCS
REV.	DATE	DESCRIPTION	BY	CKD. BY

WEIGHT POUNDS	VOLUME CUBIC FEET
------------------	----------------------

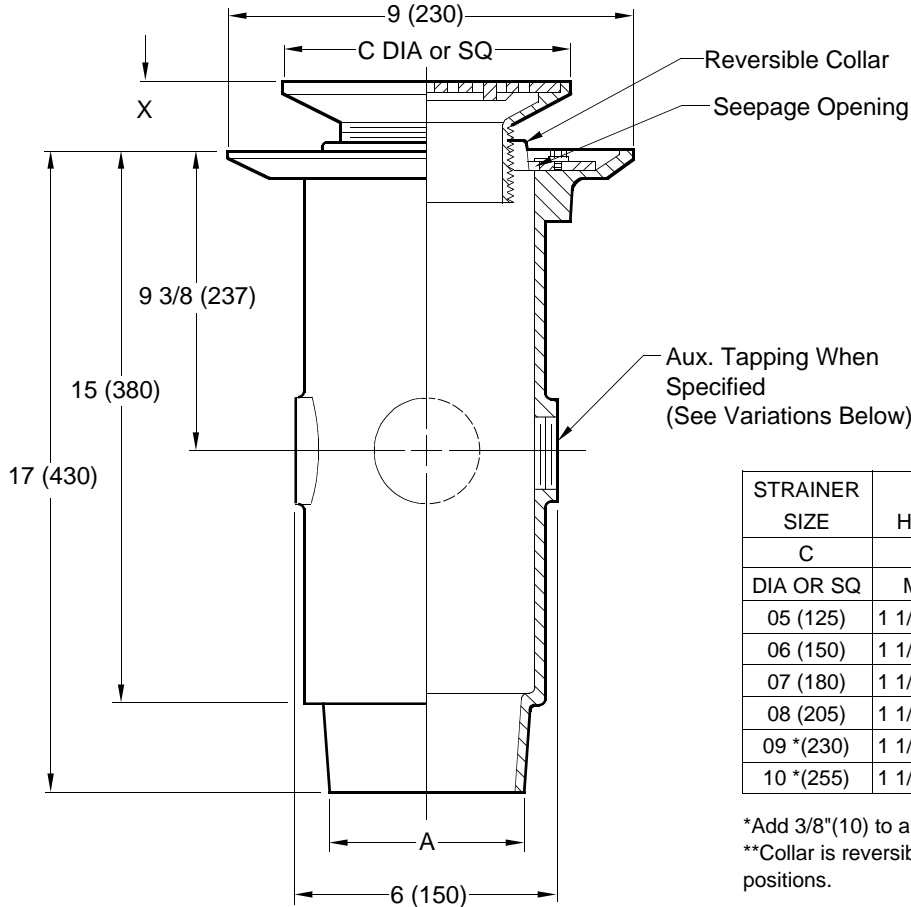
FIGURE NUMBER 2091

SMITH® JAY R. SMITH MFG. CO.
 DIVISION OF SMITH INDUSTRIES, INC.
 POST OFFICE BOX 3237
 MONTGOMERY, ALABAMA 36109-0237 (USA)
 TEL: 334-277-8520 • FAX: 334-272-7396 • www.JRSmith.com



LOCATION

FLOOR DRAIN WITH ADJUSTABLE STRAINER HEAD



STRAINER SIZE	*COLLAR IN HIGH POSITION		*COLLAR IN LOW POSITION	
	X		X	
C	X		X	
DIA OR SQ	MIN	MAX	MIN	MAX
05 (125)	1 1/4 (32)	2 1/4 (57)	3/4 (19)	1 5/8 (41)
06 (150)	1 1/4 (32)	2 1/4 (57)	3/4 (19)	1 5/8 (41)
07 (180)	1 1/4 (32)	2 1/4 (57)	7/8 (22)	1 7/8 (48)
08 (205)	1 1/2 (38)	2 1/2 (64)	1 (25)	1 7/8 (48)
09 *(230)	1 1/2 (38)	2 3/8 (60)	1 (25)	1 7/8 (48)
10 *(255)	1 1/2 (38)	2 3/8 (60)	1 (25)	1 7/8 (48)

*Add 3/8"(10) to all min./max. dimensions for round strainers
 **Collar is reversible to obtain extreme high and low strainer positions.

A = 02(50), 03(80) or 04"(100) NO-HUB OUTLET

NOTE: (4) Tappings can be furnished.
 (Specify number and size required)

NOTE: Dimensions shown in parentheses are in millimeters.

REGULARLY FURNISHED:

Duct Cast Iron NO-HUB Body, Cast Iron Flashing Collar and Adjustable Satin Nickel Bronze Strainer Head as Specified.

VARIATIONS:

- 1/2(13) to 2"(51) Aux. Tapping (specify size and number required) (4 Aux tappings MAX specify NPT or BS Qty and location)
- C Caulk Outlet
- L Speedi Set Service Weight (02(50), 03(80) & 04"(100) sizes only)
- LXH Speedi Set Extra Heavy (02(50), 03(80) & 04"(100) sizes only)

OPTIONAL MATERIALS:

- Chrome Plated Strainer -CP (Not recommended in traffic floors)
- Galvanized Body -G
- Polished Bronze Strainer -PB

DRAWING NUMBER
I-2-167

SIZE
A

SCALE:
NONE

DATE:
10-23-97

APPROVED BY:
Chuck S.

CHECKED BY:
JCS

DRAWN BY:
EMB

2091-DB

WE CAN ASSUME NO RESPONSIBILITY FOR USE OF SUPERSEDED OR VOID DATA

REV.	DATE	DESCRIPTION	BY	CKD. BY
A	10-31-97	Added Millimeters	EMB	BS

WEIGHT POUNDS	VOLUME CUBIC FEET
---------------	-------------------

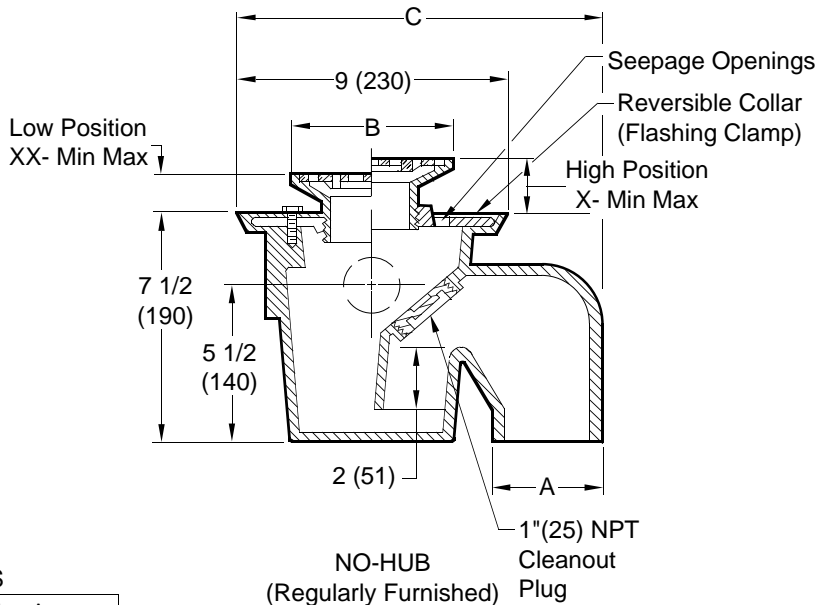
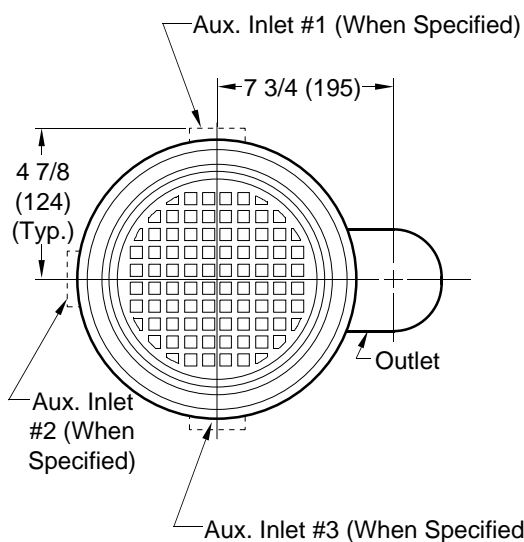
FIGURE NUMBER
2091-DB

SMITH® JAY R. SMITH MFG. CO.
 DIVISION OF SMITH INDUSTRIES, INC.
 POST OFFICE BOX 3237
 MONTGOMERY, ALABAMA 36109-0237 (USA)
 TEL: 334-277-8520 • FAX: 334-272-7396 • www.JRSmith.com



LOCATION

FLOOR DRAIN WITH INTEGRAL "S" TRAP



AVAILABLE STRAINERS

Strainer Size	*Collar In High Position		*Collar In Low Position		Free Area Sq. In. (Sq. Cm.)	
	Min.	Max.	Min.	Max.	Round	Square
B	X		XX			
Dia. or Sq.						
05 (125)	1 1/4 (32)	2 1/4 (57)	3/4 (19)	1 5/8 (41)	7 (45.16)	6.5 (41.94)
06 (150)	1 1/4 (32)	2 1/4 (57)	3/4 (19)	1 5/8 (41)	9 (58.07)	12.5 (80.65)
07 (180)	1 1/4 (32)	2 1/4 (57)	7/8 (22)	1 7/8 (48)	14 (90.33)	11 (70.97)
08 (205)	1 1/2 (38)	2 1/2 (63)	1 (25)	1 7/8 (48)	17 (109.68)	14 (90.33)
Δ 09 (230)	1/1/2 (38)	2 3/8 (60)	1 (25)	1 7/8 (48)	18 (116.14)	16 (103.23)
Δ 10 (255)	1 1/2 (38)	2 3/8 (60)	1 (25)	1 7/8 (48)	23 (148.40)	16 (103.23)

Δ Add 3/8" (10) To All Min./Max. Dimensions For Round Strainer.
 *Collar is reversible to obtain extreme high and low strainer positions.

A	C
PIPE SIZE	
02 (50)	11 1/4 (285)
03 (80)	12 3/16 (310)
04 (100)	12 5/8 (320)

NOTE: Dimensions Shown in Parenthesis are in Millimeters.

REGULARLY FURNISHED:

Ducto Cast Iron Body with Integral Trap and 1"(25) NPT Plug and Flashing Collar and Satin Nickel Bronze Adjustable Strainer Head as Indicated by Suffix Letter Selected.

VARIATIONS:

- One to Three Side Auxiliary Inlets 1/2" (13) thru 2" (51) Tap, NPT or BS (Specify size, Qty. and Location)
- Vandal Resistant -U (Allen Head Screw)

OPTIONAL MATERIALS:

- Chrome Plated Strainer -CP (Not recommended for traffic floor)
- Galvanized Body -G
- High Polished Nickel Bronze -NB
- Satin Polished Bronze Strainer -PB

DRAWING NUMBER
I-2-133

SIZE
A

SCALE:
NONE

DATE:
9-23-86

APPROVED BY:
BS

CHECKED BY:
VGD

DRAWN BY:
CM

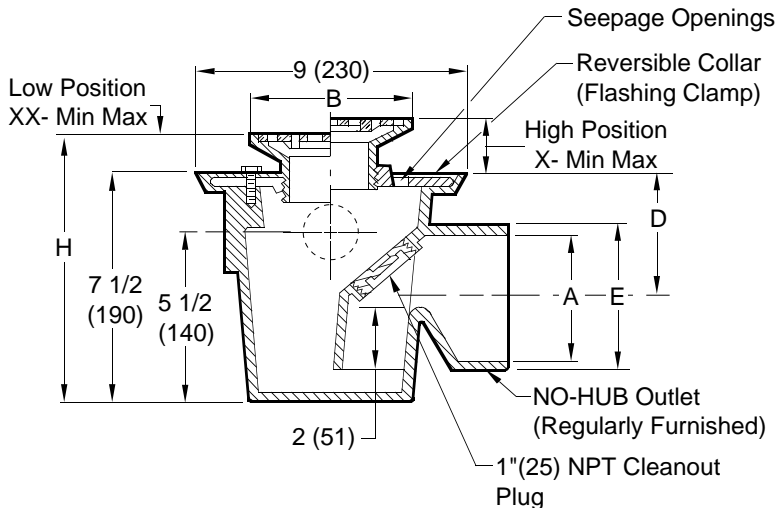
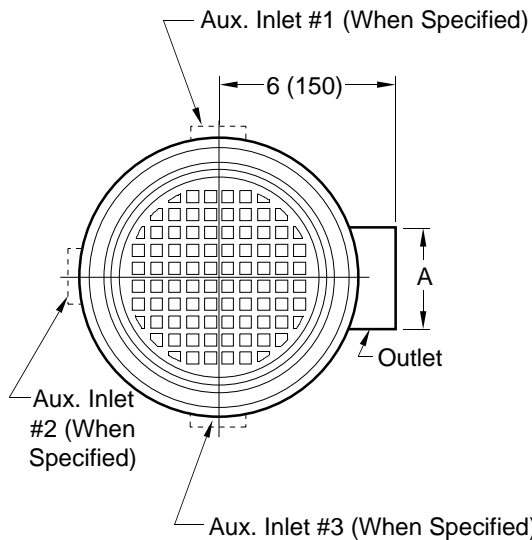
FIGURE NUMBER
2095-S

WE CAN ASSUME NO RESPONSIBILITY FOR USE OF SUPERSEDED OR VOID DATA

REV.	DATE	DESCRIPTION	BY	CKD. BY
F	10-31-97	Updated Millimeters	EMB	BS
E	12-28-95	Chg'd Dim	EMB	SB
D	5-10-95	Revised	EMB	SB
C	1-16-95	Revised	EMB	JCS

WEIGHT POUNDS	VOLUME CUBIC FEET	FIGURE NUMBER
		2095-S

FLOOR DRAIN WITH INTEGRAL TRAP



AVAILABLE STRAINERS

Strainer Size	*Collar In High Position		*Collar In Low Position		Free Area Sq. In. (Sq. Cm.)		H MIN
	Min.	Max.	Min.	Max.	Round	Square	
B	X		XX				
05 (125)	1 1/4 (32)	2 1/4 (57)	3/4 (19)	1 5/8 (41)	7 (45.16)	6.5 (41.94)	8 1/4 (210)
06 (150)	1 1/4 (32)	2 1/4 (57)	3/4 (19)	1 5/8 (41)	9 (58.07)	12.5 (80.65)	
07 (180)	1 1/4 (32)	2 1/4 (57)	7/8 (22)	1 7/8 (48)	14 (90.33)	11 (70.97)	8 3/8 (213)
08 (205)	1 1/2 (38)	2 1/2 (63)	1 (25)	1 7/8 (48)	17 (109.68)	14 (90.33)	
^Δ 09 (230)	1/1/2 (38)	2 3/8 (60)	1 (25)	1 7/8 (48)	18 (116.14)	16 (103.23)	8 1/2 (215)
^Δ 10 (255)	1 1/2 (38)	2 3/8 (60)	1 (25)	1 7/8 (48)	23 (148.40)	16 (103.23)	

A PIPE SIZE	D	E
02 (50)	3 3/16 (80)	2 5/16 (58.67)
03 (80)	3 11/16 (93)	3 3/8 (85.95)
04 (100)	4 3/16 (106)	4 3/8 (111)

^Δ Add 3/8" (10) To All Min./Max. Dimensions For Round Strainer.
 *Collar is reversible to obtain extreme high and low strainer positions.

REGULARLY FURNISHED:

Duco Cast Iron Body with Integral Trap and 1" (25) NPT Plug and Flashing Collar and Satin Nickel Bronze Adjustable Strainer Head as Indicated by Suffix Letter Selected.

VARIATIONS:

- One to Three Side Auxiliary Inlets 1/2" (13) thru 2" (51) Tap, NPT or B.S. (Specify size, qty. and location)
- Vandal Resistant -U

OPTIONAL MATERIALS:

- Chrome Plated Strainer -CP (Not recommended for traffic floor)
- Galvanized Body -G
- High Polished Nickel Bronze -NB
- Satin Polished Bronze Strainer -PB

NOTE: Dimensions Shown in Parenthesis are in Millimeters.

DRAWING NUMBER: I-2-154
 SIZE: A
 SCALE: NONE
 DATE: 10-22-93
 APPROVED BY: GWC
 CHECKED BY: GWC
 DRAWN BY: TWK
 DIMENSIONS ARE SUBJECT TO MANUFACTURERS TOLERANCE AND CHANGE WITHOUT NOTICE
 WE CAN ASSUME NO RESPONSIBILITY FOR USE OF SUPERSEDED OR VOID DATA

REV.	DATE	DESCRIPTION	BY	CKD. BY
C	10-31-97	Submittal Update	EMB	BS
B	12-28-95	Added Dim	EMB	SB
A	1-16-95	Revised	EMB	JCS

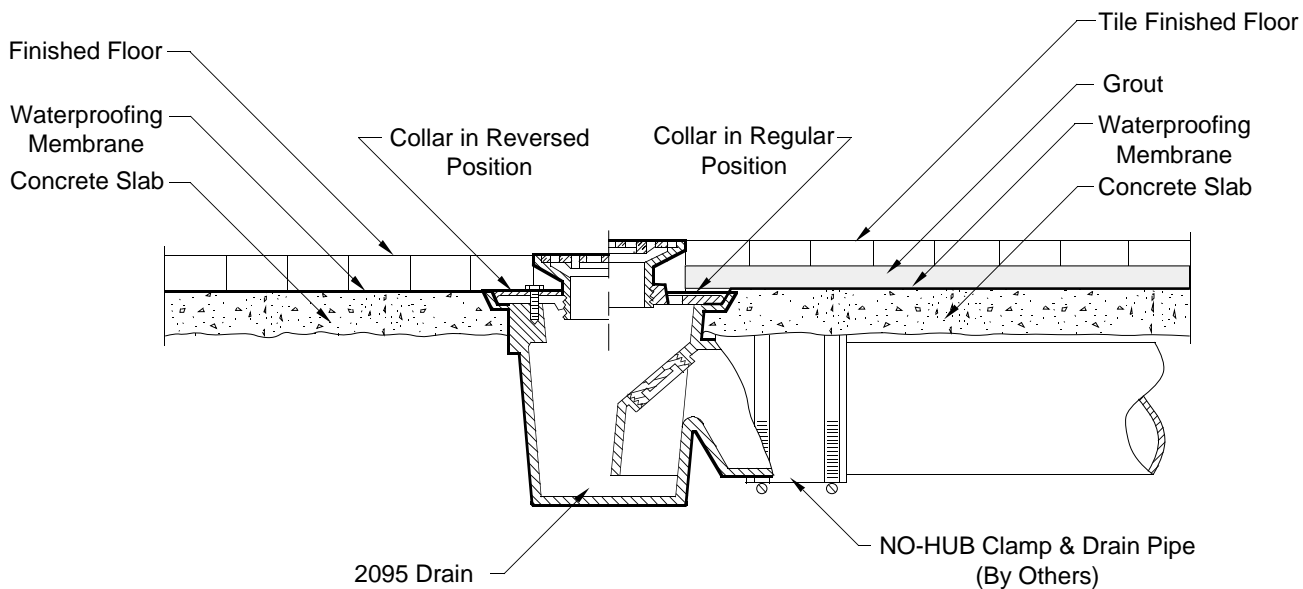
WEIGHT POUNDS	VOLUME CUBIC FEET	FIGURE NUMBER
		2095

SMITH® JAY R. SMITH MFG. CO.
 DIVISION OF SMITH INDUSTRIES, INC.
 POST OFFICE BOX 3237
 MONTGOMERY, ALABAMA 36109-0237 (USA)
 TEL: 334-277-8520 • FAX: 334-272-7396 • www.JRSmith.com



LOCATION

FLOOR DRAIN WITH INTEGRAL TRAP INSTALLATION DRAWING



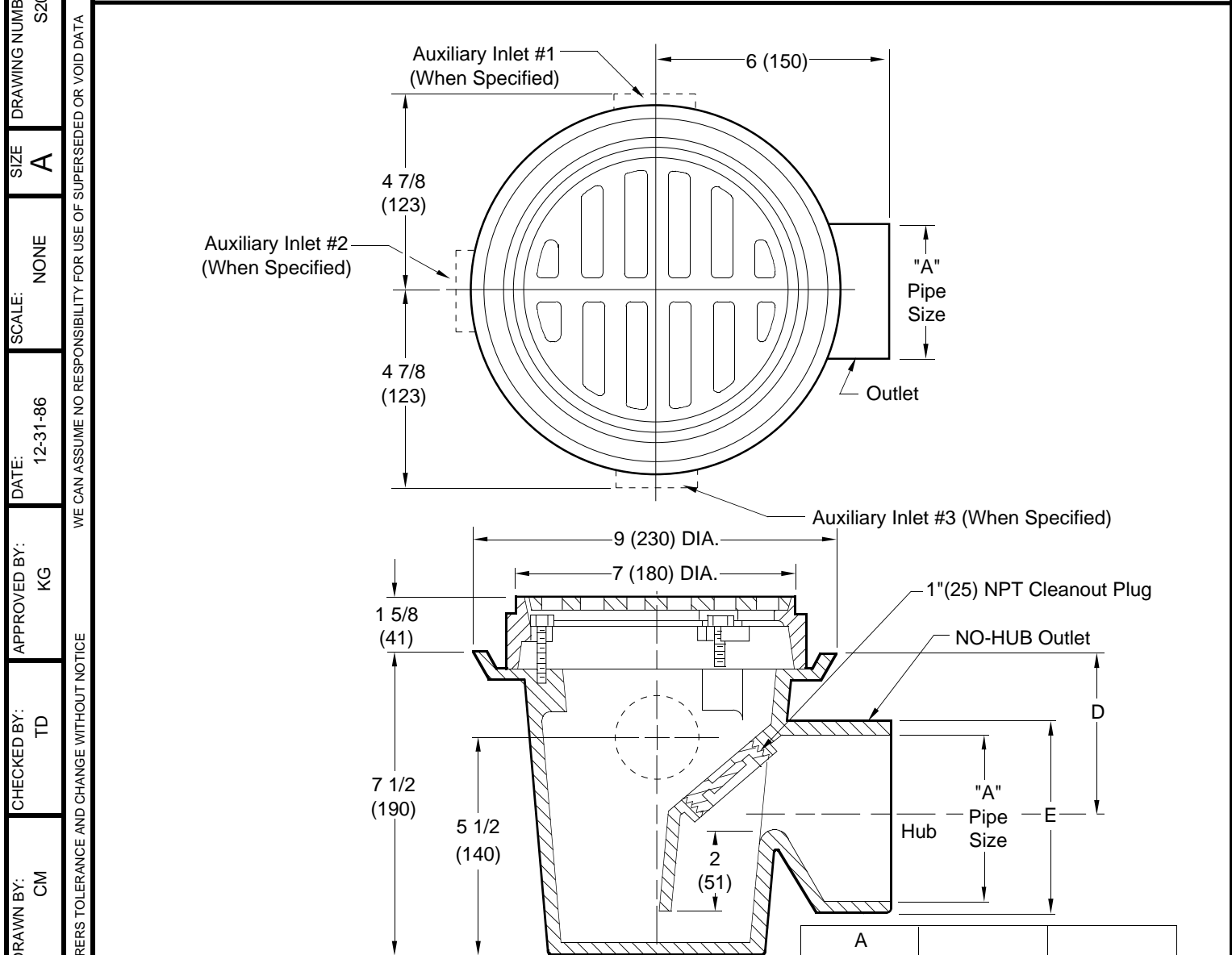
WE CAN ASSUME NO RESPONSIBILITY FOR USE OF SUPERSEDED OR VOID DATA

DRAWING NUMBER: I-2-154-BS
 SIZE: A
 SCALE: NONE
 DATE: 10-26-93
 APPROVED BY:
 CHECKED BY: TWK
 DRAWN BY: TWK

2095

REV.	DATE	DESCRIPTION	BY	CKD. BY	WEIGHT POUNDS	VOLUME CUBIC FEET	FIGURE NUMBER
A	1-16-95	Chg'd Dwg	EMB	JCS			2095

FLOOR DRAIN WITH INTEGRAL TRAP



NOTE: Dimensions shown in parentheses are in millimeters.

A PIPE SIZE	D	E
02 (50)	3 3/16 (80)	2 5/16 (58.67)
03 (80)	3 11/16 (93)	3 3/8 (85.85)
04 (100)	4 3/16 (106)	4 3/8 (111)

REGULARLY FURNISHED:
 Duco Cast Iron Body and Flashing
 Clamp with Integral Trap and 1"(25)
 N.P.T. Plug: 7"(180) Diameter CI Top

OPTIONAL MATERIALS:

- Ductile Iron Grate -M
- Galvanized Body -G
- Satin Polished Bronze Top -PB
- Satin Finished Nickel Bronze Top -NB
- Square Top -S

VARIATIONS:

- One to Three Side Auxiliary Inlets 1/2(13) thru 2"(51) Tap (Specify NPT or BS size, qty. and location)
- Vandal Resistant -U

DRAWING NUMBER S2096
 SIZE A
 SCALE: NONE
 DATE: 12-31-86
 APPROVED BY: KG
 CHECKED BY: TD
 DRAWN BY: CM
 2096
 DIMENSIONS ARE SUBJECT TO MANUFACTURERS TOLERANCE AND CHANGE WITHOUT NOTICE
 WE CAN ASSUME NO RESPONSIBILITY FOR USE OF SUPERSEDED OR VOID DATA

REV.	DATE	DESCRIPTION	BY	CKD. BY	WEIGHT POUNDS	VOLUME CUBIC FEET	FIGURE NUMBER
F	10-31-97	Revised Millimeters	EMB	BS			2096
E	1-4-96	Added Dim	EMB	SB			
D	1-16-95	Revised	EMB	JCS			
C	10-22-93	Rev Var And Dwg	TWK	GWC			

RICE INTERCEPTOR

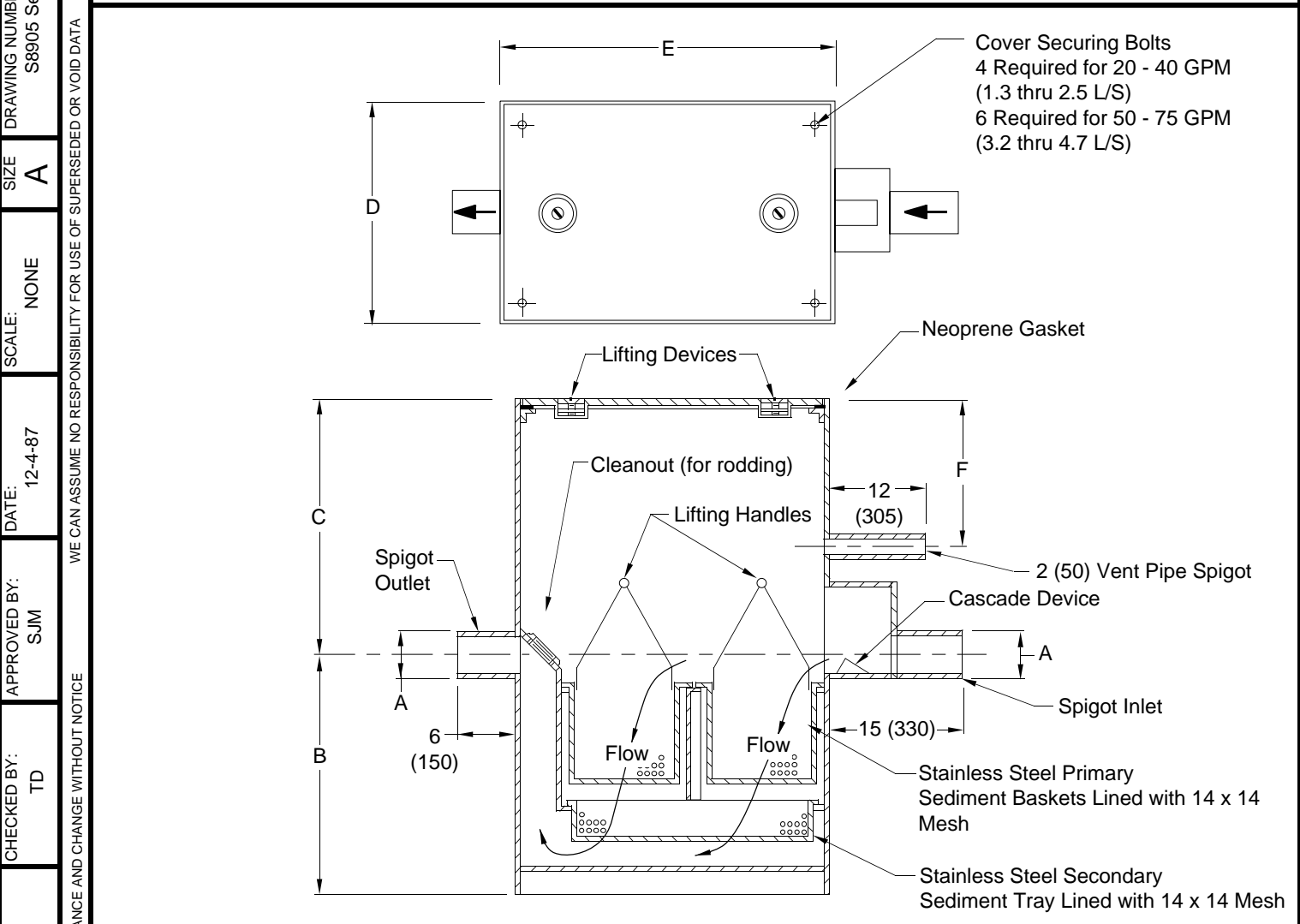


Fig. No.	Flow Rate		Inlet & Outlet (Pipe Size)	Roughing Dimensions				
	GPM	L/S		A	B	C	Width D	Length E
8905-20	20	1.3	03 (80)	24 (610)	16 (405)	20 (510)	26 (660)	7 (180)
8905-30	30	1.9	04 (100)	24 (610)	16 (405)	20 (510)	33 (840)	7 (180)
8905-40	40	2.5	04 (100)	30 (760)	22 (560)	24 (610)	36 (915)	7 (180)
8905-50	50	3.2	04 (100)	32 (815)	24 (610)	30 (760)	42 (1065)	7 (180)
8905-75	75	4.7	06 (150)	36 (915)	28 (710)	36 (915)	48 (1220)	7 (180)

REGULARLY FURNISHED:
 Fabricated Steel with Gray Duco Coating,
 Complete with Stainless Steel Primary Sediment Baskets, Stainless Steel Secondary Sediment Tray, Spigot Inlet and Outlet and Secured Gasketed Cover with Lifting Devices.

VARIATIONS:
 All Stainless Steel Unit -SS
 T Threaded Inlet and Outlet Connections

NOTE: Dimensions shown in parentheses are in millimeters.

8905 Series

DIMENSIONS ARE SUBJECT TO MANUFACTURERS TOLERANCE AND CHANGE WITHOUT NOTICE

FIGURE NUMBER	D	10-23-97	Added 14 x 14 Mesh	EMB	BS	WEIGHT POUNDS	VOLUME CUBIC FEET	FIGURE NUMBER
	C	9-23-96	Rev Dwg	EMB	BS			8905 Series
	B	5-23-95	Submittal Update	EMB	BS			
	A	5-2-94	Changed Dim	TBW	BW			
REV.	DATE	DESCRIPTION	BY	CKD. BY				



JAY R. SMITH MFG. CO.
 DIVISION OF SMITH INDUSTRIES, INC.
 POST OFFICE BOX 3237
 MONTGOMERY, ALABAMA 36109-0237 (USA)
 TEL: 334-277-8520 FAX: 334-272-7396 www.JRSmith.com

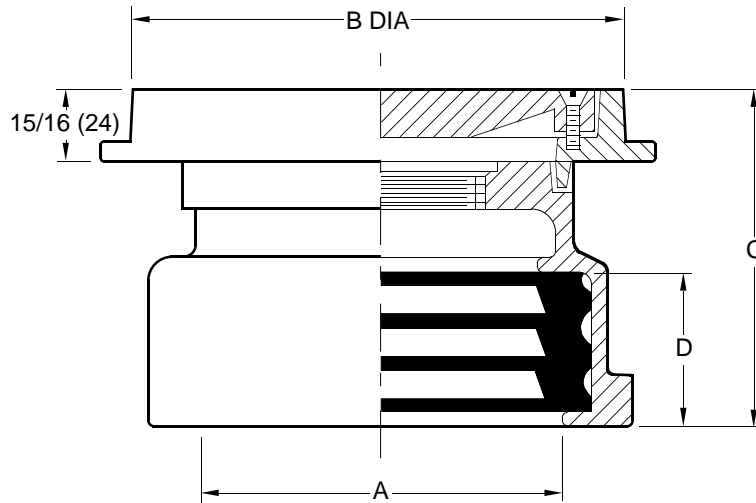


PLUMBING MANUFACTURERS INSTITUTE
 MEMBER OF:

LOCATION

ROUND NON-ADJUSTABLE EXTRA HEAVY DUTY CAST IRON TOP FLOOR CLEANOUT

FUNCTION: Used in industrial and commercial buildings where floors are subject to heavy load traffic.



A (Pipe Size)	B (DIA)	C (Height)	D
02(50)	6 1/4(160)	4 1/4(110)	1 15/16(49)
03(80)	6 1/4(160)	4 1/4(110)	1 15/16(49)
04(100)	6 1/4(160)	4 1/4(110)	1 15/16(49)

REGULARLY FURNISHED:
 Duco Cast Iron Non Adjustable
 Floor Cleanout with Tapered A.B.S.
 Threaded Plug and Heavy Duty
 Scoriated Cast Iron Top.

VARIATIONS:
 Bronze Plug -BP
 Carpet Marker -Y

OPTIONAL MATERIALS:
 Galvanized Cast Iron -G
 Nickel Bronze Top -NB
 Polished Bronze Top -PB

NOTE: Dimensions shown in parentheses are in millimeters.

DRAWING NUMBER
 SSQ-4-1388

SIZE
 A

SCALE:
 NONE

DATE:
 1-9-92

APPROVED BY:
 McD

CHECKED BY:
 SB

DRAWN BY:
 EMB

FIGURE NUMBER
SQ-4-1388

WE CAN ASSUME NO RESPONSIBILITY FOR USE OF SUPERSEDED OR VOID DATA

REV.	DATE	DESCRIPTION	BY	CKD. BY
A	10-31-97	Added Millimeters	EMB	BS

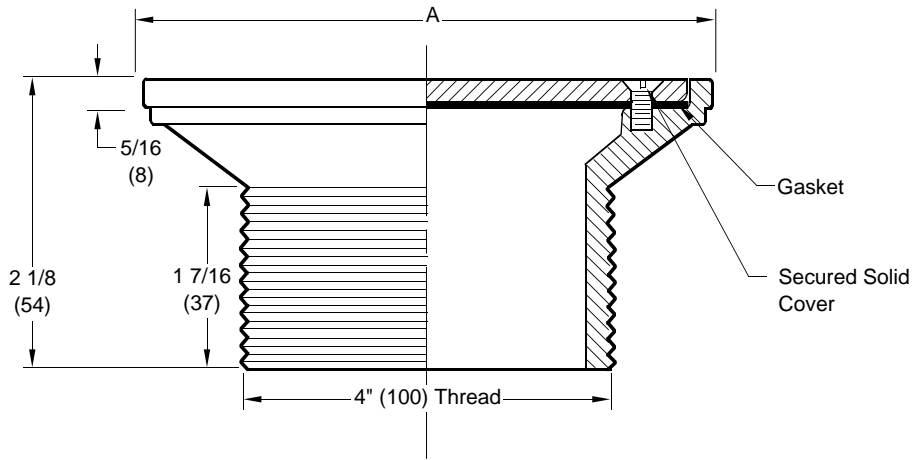
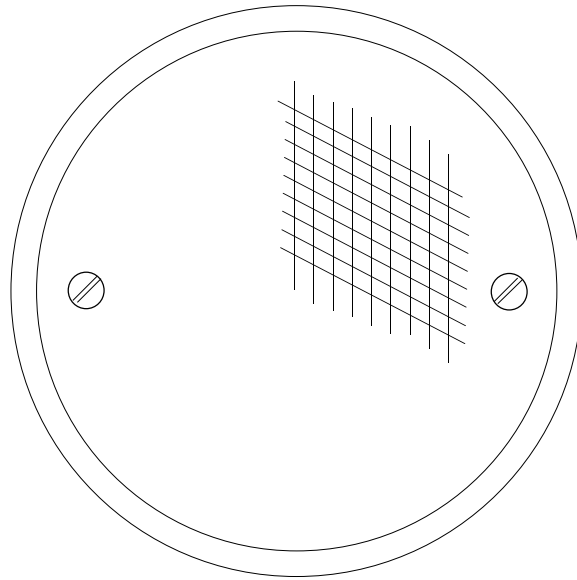
WEIGHT
 POUNDS

VOLUME
 CUBIC FEET

FIGURE NUMBER
SQ-4-1388

LOCATION

ADJUSTABLE CLEANOUT



Strainer Size	"A" Round
06 (150)	6 Dia. (150)

NOTE: Dimensions shown in parentheses are in millimeters.

REGULARLY FURNISHED:
 Nickel Bronze Strainer with Satin
 Nickel Bronze Secured Solid
 Gasket Cover. 4"(100) NPSM
 Threaded Shank.

VARIATIONS:
 (12) SQ Hole Grate
 Threaded Shank 4"(100) BSP
 Vandal Proof Top -U

OPTIONAL MATERIALS:
 Chrome Plated -CP
 Polished Bronze -PB
 Rough Bronze -RB

DRAWING NUMBER: SSQ-4-1453
 SIZE: A
 SCALE: NONE
 DATE: 10-19-92
 APPROVED BY: SJM
 CHECKED BY: McD
 DRAWN BY: TWK
 FIGURE NUMBER: SQ-4-1453

DIMENSIONS ARE SUBJECT TO MANUFACTURERS TOLERANCE AND CHANGE WITHOUT NOTICE
 WE CAN ASSUME NO RESPONSIBILITY FOR USE OF SUPERSEDED OR VOID DATA

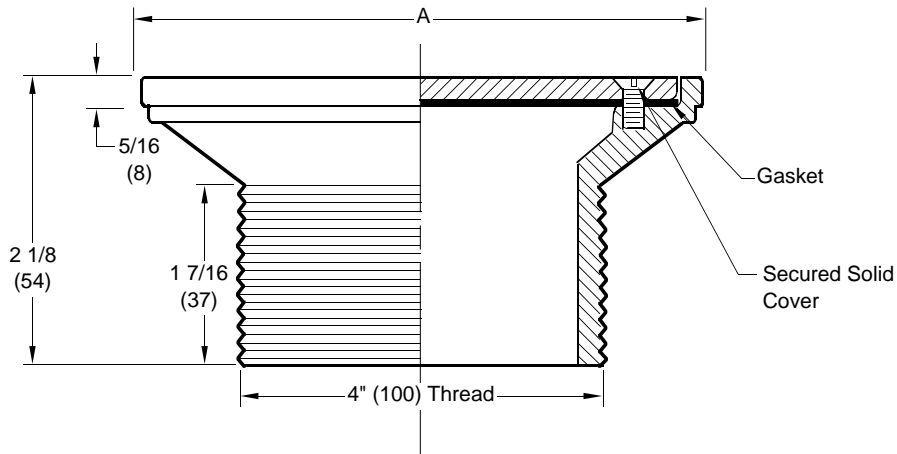
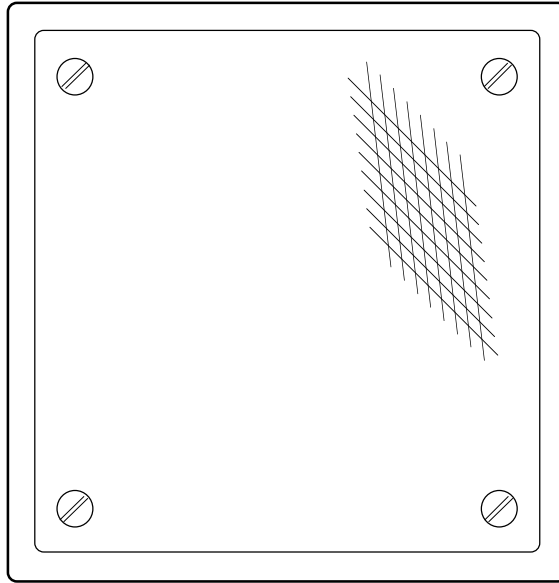
REV.	DATE	DESCRIPTION	BY	CKD. BY	WEIGHT POUNDS	VOLUME CUBIC FEET	FIGURE NUMBER
D	11-3-97	Updated Millimeters	EMB	BS			SQ-4-1453
C	7-12-96	Chg'd Reg Furn and Var	EMB	SB			
B	12-14-95	Rev Reg Furn & Var	EMB	SB			
A	1-27-94	Added 12mm & BSP Var.	TWK	GWC			

SMITH® JAY R. SMITH MFG. CO.
 DIVISION OF SMITH INDUSTRIES, INC.
 POST OFFICE BOX 3237
 MONTGOMERY, ALABAMA 36109-0237 (USA)
 TEL: 334-277-8520 • FAX: 334-272-7396 • www.JRSmith.com



LOCATION

ADJUSTABLE CLEANOUT



NOTE: Dimensions shown in parentheses are in millimeters.

Strainer Size	"A" Square
06 (150)	6 x 6 (150 x 150)

REGULARLY FURNISHED:
 Nickel Bronze Strainer with Satin
 Nickel Bronze Secured Solid
 Gasket Cover. 4"(100) NPSM
 Threaded Shank.

VARIATIONS:
 (12) SQ Hole Grate
 BSP Threads
 Vandal Proof Top -U

OPTIONAL MATERIALS:
 Chrome Plated -CP
 Polished Bronze -PB
 Rough Bronze -RB

DRAWING NUMBER
SQ-4-1454

SIZE
A

SCALE:
NONE

DATE:
10-19-92

APPROVED BY:
SB

CHECKED BY:
McD

DRAWN BY:
TWK

SQ-4-1454

WE CAN ASSUME NO RESPONSIBILITY FOR USE OF SUPERSEDED OR VOID DATA

FIGURE NUMBER

REV.	DATE	DESCRIPTION	BY	CKD. BY
B	11-3-97	Updated Millimeters	EMB	BS
A	1-27-94	Added 12MM & BSP Var.	TWK	GWC

WEIGHT POUNDS	VOLUME CUBIC FEET	FIGURE NUMBER
		SQ-4-1454

E



JAY R. SMITH MFG. CO.
 DIVISION OF SMITH INDUSTRIES, INC.
 POST OFFICE BOX 3237
 MONTGOMERY, ALABAMA 36109-0237 (USA)
 TEL: 334-277-8520 • FAX: 334-272-7396 • www.JRSmith.com



LOCATION

DRAWING NUMBER
I-SQ-135

SIZE
A

SCALE:
NONE

DATE:
6-7-93

APPROVED BY:
GWC

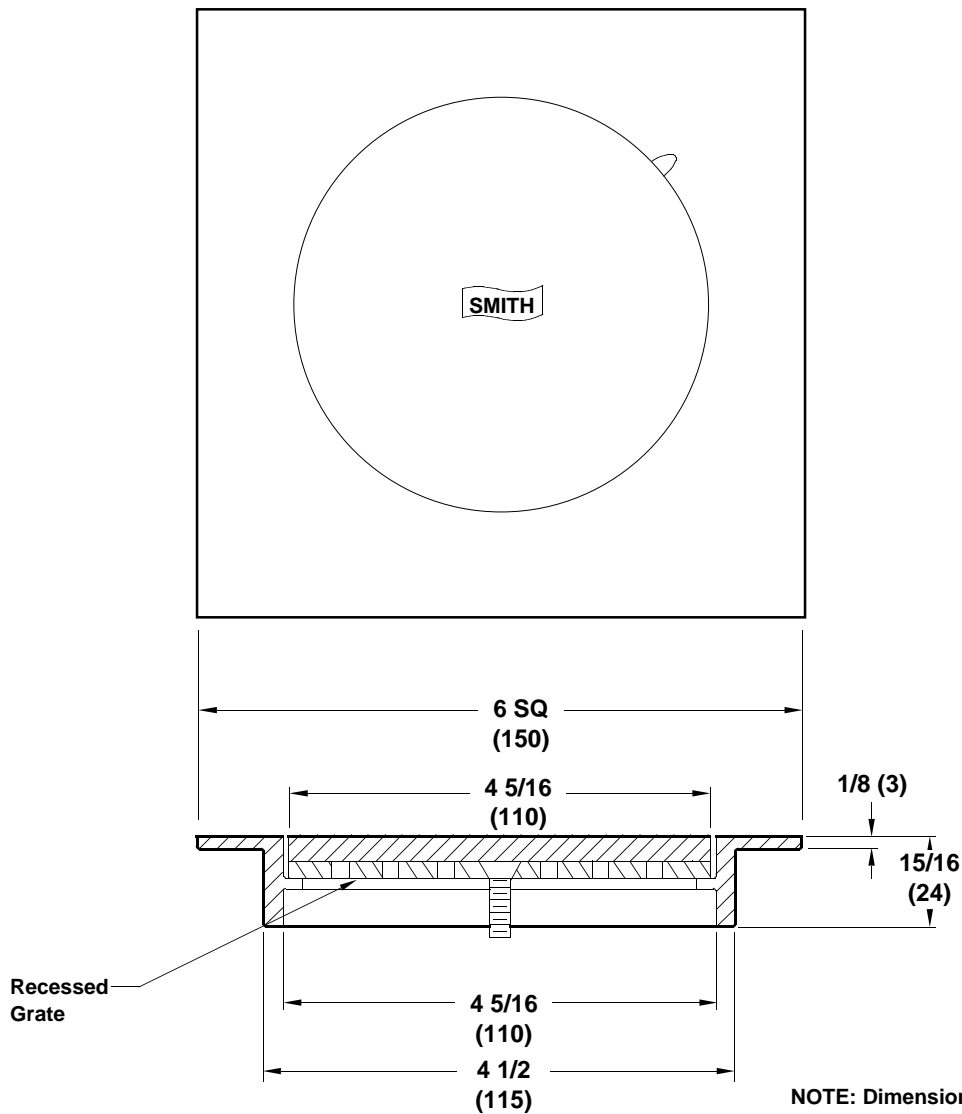
CHECKED BY:
GWC

DRAWN BY:
TWK

FIGURE NUMBER
SQ-4-4103-B

WE CAN ASSUME NO RESPONSIBILITY FOR USE OF SUPERSEDED OR VOID DATA

SQUARE DRAIN WITH SOLID COVER



NOTE: Dimensions shown in parentheses are millimeters.
 NOTE: Center Grate Securing Bolt by Others.

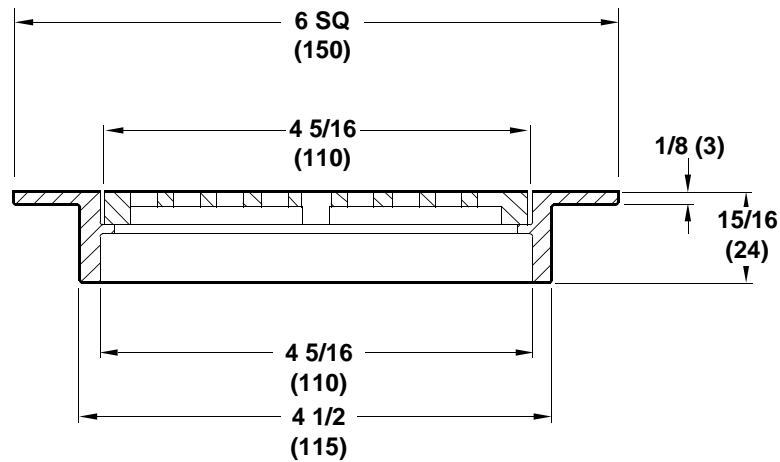
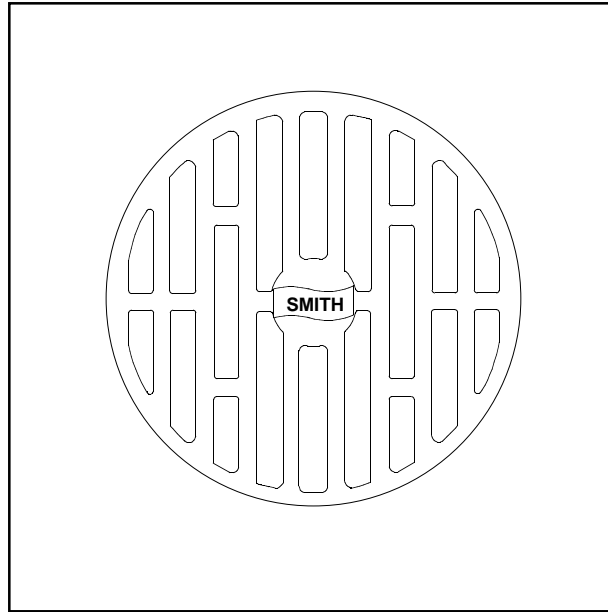
REGULARLY FURNISHED:
 Nickel Bronze High Polished Finish
 with Loose Solid Cover and Recessed Grate.

OPTIONAL:
 8" Square (205 x 205)

REV.	DATE	DESCRIPTION	BY	CKD. BY	WEIGHT POUNDS	VOLUME CUBIC FEET	FIGURE NUMBER
E	11-03-97	Revised Millimeters	EMB	BS			SQ-4-4103-B
D	1-16-95	Revised Dwg	EMB	JCS			
C	8-5-94	Revised	EMB	SB			
B	5-18-94	Chg'd Dwg & Reg Furn	EMB	SB			

D	LOCATION
---	----------

SQUARE FLOOR DRAIN



REGULARLY FURNISHED:
 Nickel Bronze HighPolished Finish with
 Loose Set Grate.

OPTIONAL:
 8" Square (205 x 205)

NOTE: Dimensions shown in parenthesis are millimeters

FIGURE NUMBER	SQ-4-4104-B			DRAWN BY: TWK	CHECKED BY: GWC	APPROVED BY: GWC	DATE: 10-11-93	SCALE: NONE	SIZE A	DRAWING NUMBER I-SQ-141	D	
	DIMENSIONS ARE SUBJECT TO MANUFACTURERS TOLERANCE AND CHANGE WITHOUT NOTICE											
REV.	DATE	DESCRIPTION	BY	CKD. BY	WEIGHT POUNDS	VOLUME CUBIC FEET	FIGURE NUMBER					
A	11-03-97	Updated Millimeters	EMB	BS			SQ-4-4104-B					
B	1-18-95	Updated Drawing	EMB	JCS								
	8-5-94	Revised	EMB	JCS								
	5-18-94	Chg'd Dwg	EMB	SB								

D

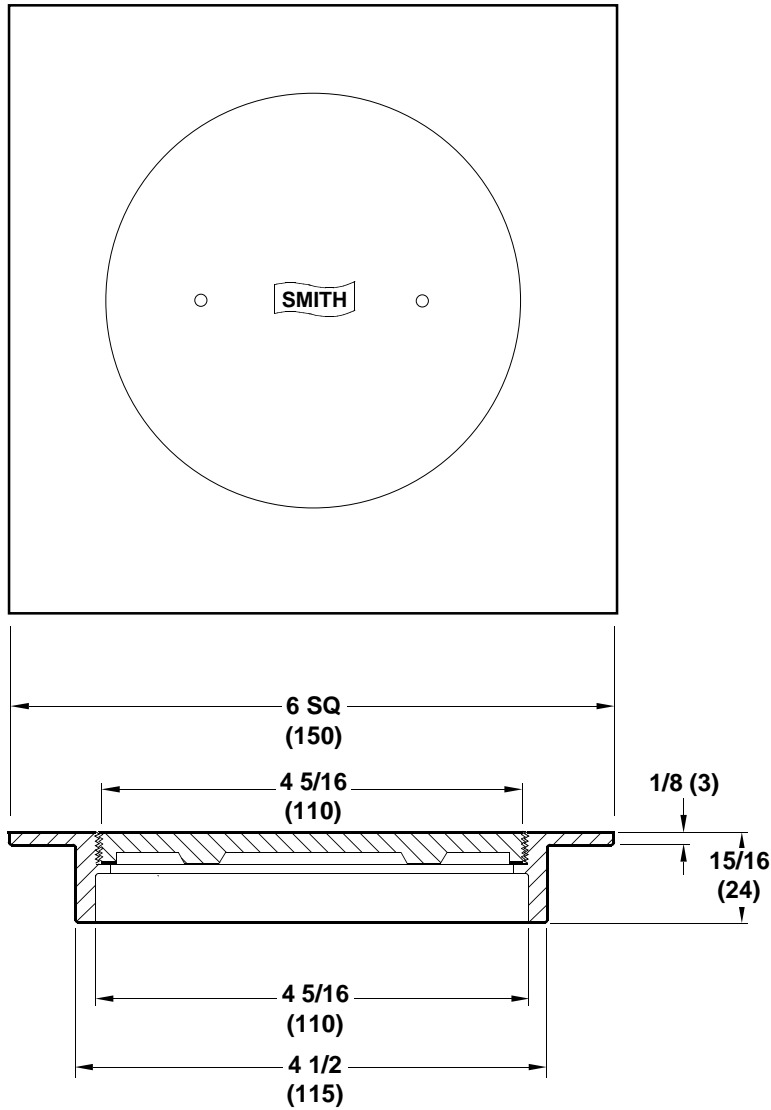


JAY R. SMITH MFG. CO.
 DIVISION OF SMITH INDUSTRIES, INC.
 POST OFFICE BOX 3237
 MONTGOMERY, ALABAMA 36109-0237 (USA)
 TEL: 334-277-8520 • FAX: 334-272-7396 • www.JRSmith.com



LOCATION

SQUARE CLEANOUT



REGULARLY FURNISHED:
 Nickel Bronze High Polished Finish
 with Threaded Cover and Gasket.

OPTIONAL:
 8" Square (205 x 205)

NOTE: Dimensions shown in parenthesis are millimeters

DRAWING NUMBER
I-SQ-147

SIZE
A

SCALE:
NONE

DATE:
6-7-93

APPROVED BY:
GWC

CHECKED BY:
GWC

DRAWN BY:
TWK

FIGURE NUMBER
SQ-4-4120-B

WE CAN ASSUME NO RESPONSIBILITY FOR USE OF SUPERSEDED OR VOID DATA

REV.	DATE	DESCRIPTION	BY	CKD. BY	WEIGHT POUNDS	VOLUME CUBIC FEET	FIGURE NUMBER
D	11-03-97	Updated Millimeters	EMB	BS			SQ-4-4120-B
C	9-26-94	Chg'd Reg Furn	EMB	SB			
B	8-5-94	Revised	EMB	SB			
A	4-26-94	Rev Reg Furnished	TBW	JCS			

SMITH® JAY R. SMITH MFG. CO.
 DIVISION OF SMITH INDUSTRIES, INC.
 POST OFFICE BOX 3237
 MONTGOMERY, ALABAMA 36109-0237 (USA)
 TEL: 334-277-8520 • FAX: 334-272-7396 • www.JRSmith.com



LOCATION

ADJUSTABLE STRAINER HEAD WITH 6" (150) X 6" (150) SQUARE SOLID HINGED COVER

C

DRAWING NUMBER
I-SUFFIX-102

SIZE
A

SCALE:
NONE

DATE:
2-2-89

APPROVED BY:
TD

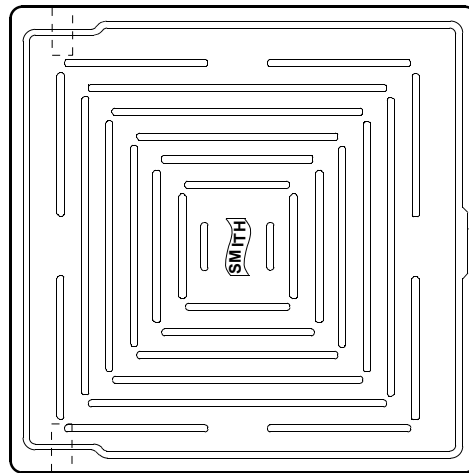
CHECKED BY:
CR

DRAWN BY:
EMB

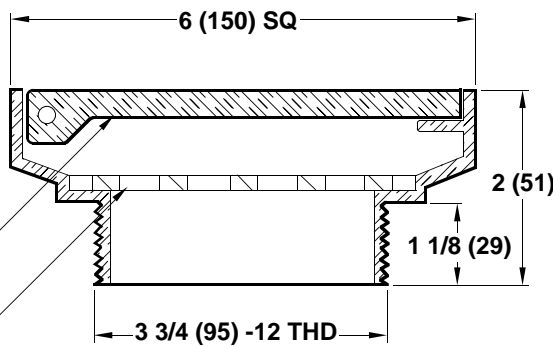
BHQ

FIGURE NUMBER

WE CAN ASSUME NO RESPONSIBILITY FOR USE OF SUPERSEDED OR VOID DATA



Cover Lifting Slot



Solid Hinged Scoriated Cover

Cast Bronze
Secondary Strainer

NOTE: Dimensions shown in parentheses are in millimeters.

REGULARLY FURNISHED:
 Nickel Bronze Strainer with Solid Hinged Scoriated Cover and Secured Secondary Strainer.

VARIATIONS:
 Flapper Type BWV -V
 Secured Cover and Gasket
 T Threaded Outlet

OPTIONAL MATERIALS:
 Chrome Plated -CP
 Polished Bronze -PB

REV.	DATE	DESCRIPTION	BY	CKD. BY	WEIGHT POUNDS	VOLUME CUBIC FEET	FIGURE NUMBER
C	10-31-97	Chg'd Var	EMB	BS			BHQ
B	11-12-93	Redrawn, Changed Var.	TWK	GWC			
A	9-16-93	Redrawn, Changed Cover	TWK	AWS			

B



JAY R. SMITH MFG. CO.
 DIVISION OF SMITH INDUSTRIES, INC.
 POST OFFICE BOX 3237
 MONTGOMERY, ALABAMA 36109-0237 (USA)
 TEL: 334-277-8520 • FAX: 334-272-7396 • www.JRSmith.com



LOCATION

ADJUSTABLE STRAINER HEAD WITH 6" (150) X 6" (150) SQUARE SOLID HINGED COVER

DRAWING NUMBER
I-SUFFIX-103

SIZE
A

SCALE:
NONE

DATE:
4-10-90

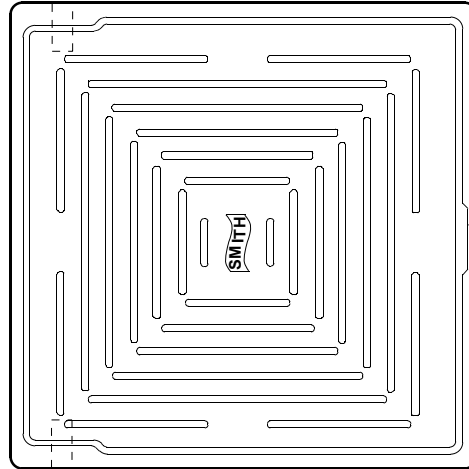
APPROVED BY:
McD

CHECKED BY:
JM

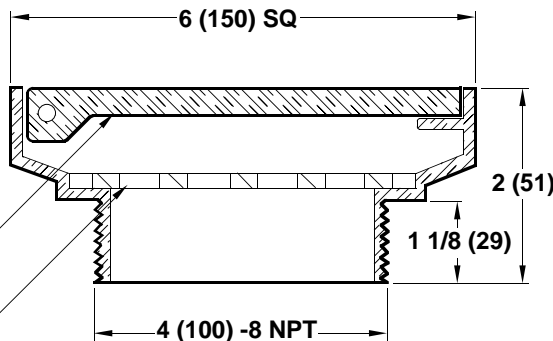
DRAWN BY:
EMB

WE CAN ASSUME NO RESPONSIBILITY FOR USE OF SUPERSEDED OR VOID DATA

DIMENSIONS ARE SUBJECT TO MANUFACTURERS TOLERANCE AND CHANGE WITHOUT NOTICE



Cover Lifting Slot



Solid Hinged Scoriated Cover

Cast Bronze Secondary Strainer

REGULARLY FURNISHED:
 Nickel Bronze Strainer with Solid Hinged Scoriated Cover and Secured Secondary Strainer.

VARIATIONS:
 Flapper Type BWV -V
 Secured Cover and Gasket
 4" (100) B.S.

OPTIONAL MATERIALS:
 Chrome Plated -CP
 Polished Bronze -PB

NOTE: Dimensions shown in parentheses are in millimeters.

BHQ-4

FIGURE NUMBER

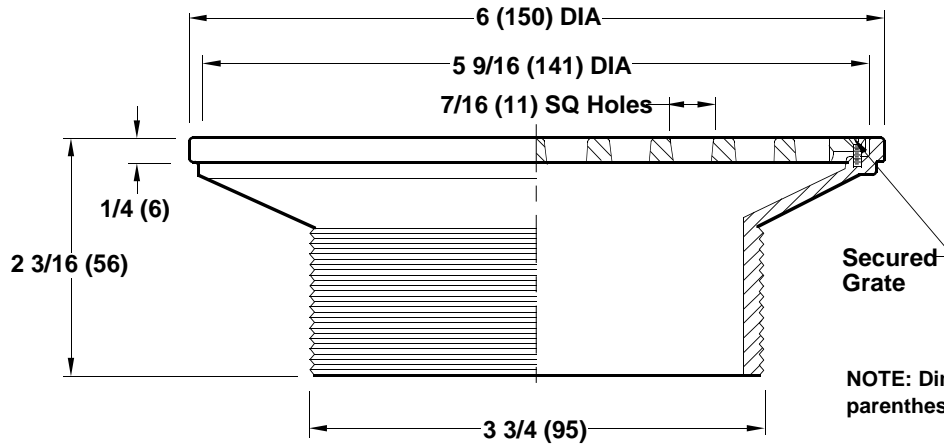
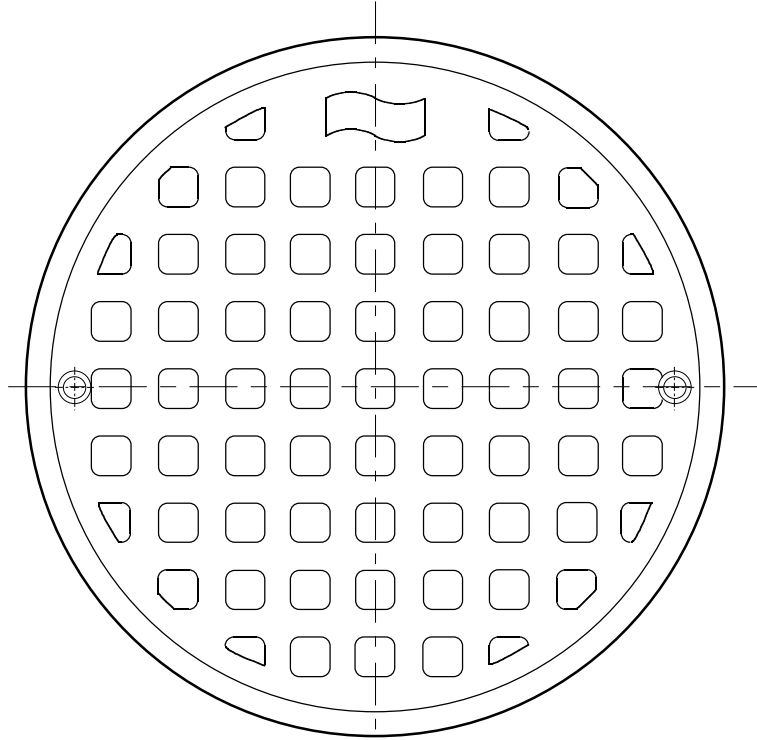
REV.	DATE	DESCRIPTION	BY	CKD. BY	WEIGHT POUNDS	VOLUME CUBIC FEET	FIGURE NUMBER
C	10-31-97	Added Note	EMB	BS			BHQ-4
B	11-12-93	Redrawn, Changed Var.	TWK	GWC			
A	9-16-93	Redrawn, Changed Cover	TWK	AWS			

SMITH® JAY R. SMITH MFG. CO.
 DIVISION OF SMITH INDUSTRIES, INC.
 POST OFFICE BOX 3237
 MONTGOMERY, ALABAMA 36109-0237 (USA)
 TEL: 334-277-8520 • FAX: 334-272-7396 • www.JRSmith.com



LOCATION

ADJUSTABLE STRAINER HEAD



Secured Grate

NOTE: Dimensions shown in parentheses are in millimeters.

REGULARLY FURNISHED:
 Nickel Bronze Strainer Body with
 Stainless Steel Secured Square
 Hole Grate.

VARIATIONS:
 Back Water Valve -V
 Funnel (Specify)
 Sediment Bucket -B
 Vandal Proof Grate -U

DRAWING NUMBER
I-suffix-115

SIZE
A

SCALE:
NONE

DATE:
10-31-97

APPROVED BY:
BS

CHECKED BY:
WMS

DRAWN BY:
EMB

A06NBSS

WE CAN ASSUME NO RESPONSIBILITY FOR USE OF SUPERSEDED OR VOID DATA

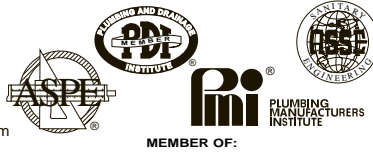
FIGURE NUMBER

REV.	DATE	DESCRIPTION	BY	CKD. BY

WEIGHT POUNDS	VOLUME CUBIC FEET

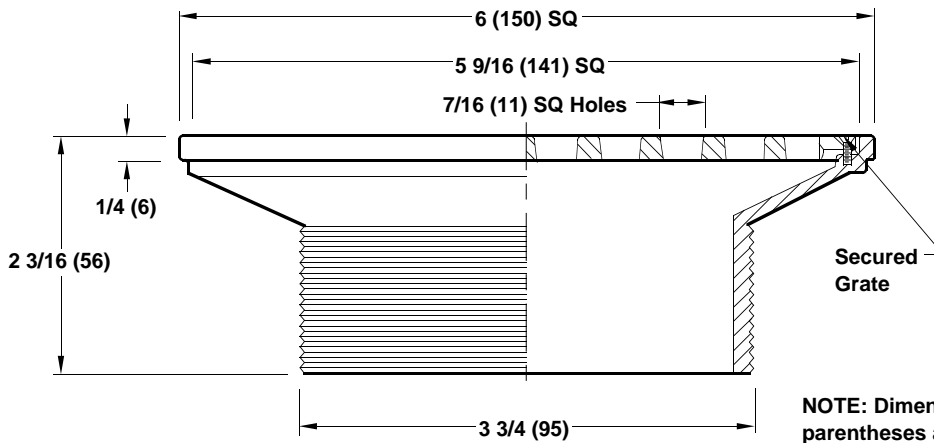
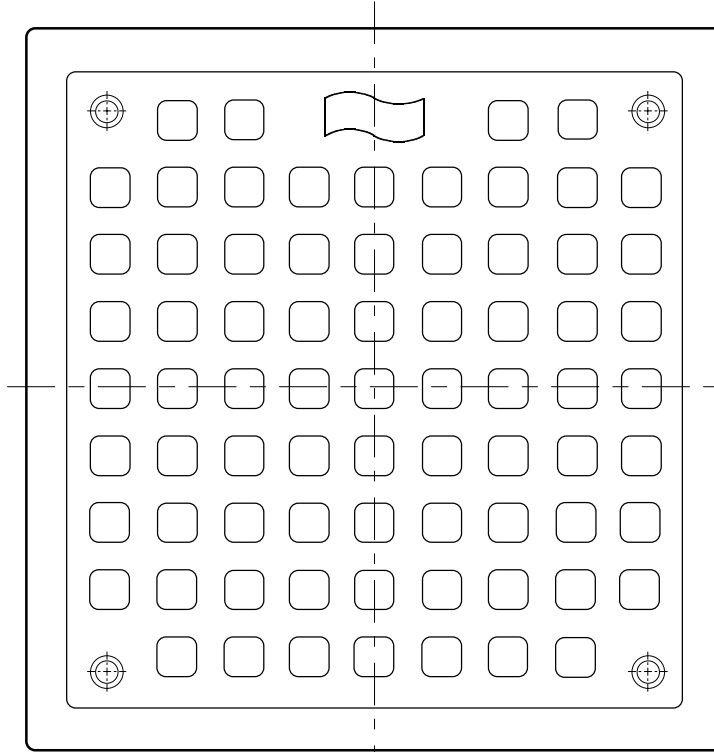
FIGURE NUMBER A06NBSS

SMITH® JAY R. SMITH MFG. CO.
 DIVISION OF SMITH INDUSTRIES, INC.
 POST OFFICE BOX 3237
 MONTGOMERY, ALABAMA 36109-0237 (USA)
 TEL: 334-277-8520 • FAX: 334-272-7396 • www.JRSmith.com



LOCATION

ADJUSTABLE STRAINER HEAD



NOTE: Dimensions shown in parentheses are in millimeters.

REGULARLY FURNISHED:
 Nickel Bronze Strainer Body with
 Stainless Steel Secured Square
 Hole Grate.

VARIATIONS:
 Back Water Valve -V
 Funnel (Specify)
 Sediment Bucket -B
 Vandal Proof Grate -U

DRAWING NUMBER
I-suffix-114

SIZE
A

SCALE:
NONE

DATE:
4-3-95

APPROVED BY:
AWS

CHECKED BY:
SB

DRAWN BY:
CMB

B06NBSS

WE CAN ASSUME NO RESPONSIBILITY FOR USE OF SUPERSEDED OR VOID DATA

FIGURE NUMBER

REV.	DATE	DESCRIPTION	BY	CKD. BY
A	10-31-97	Added Note	EMB	BS

WEIGHT POUNDS	VOLUME CUBIC FEET	FIGURE NUMBER
		B06NBSS